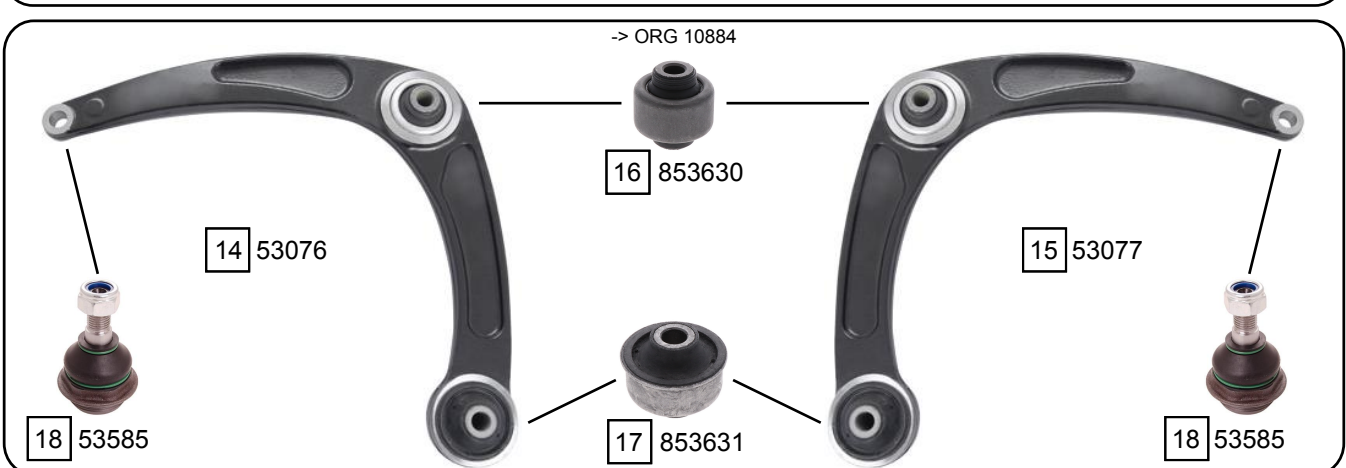
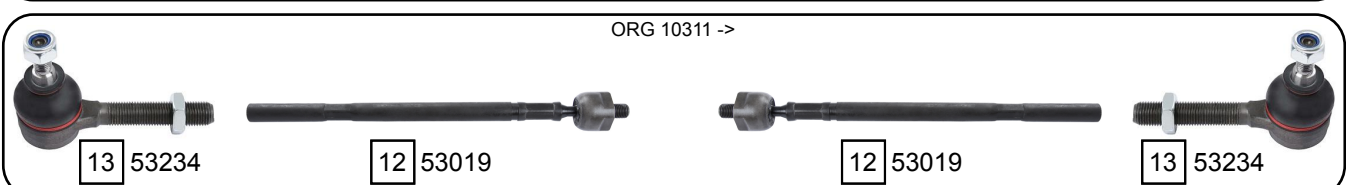
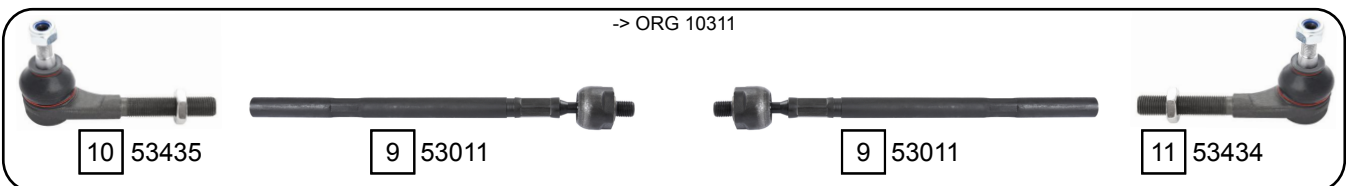
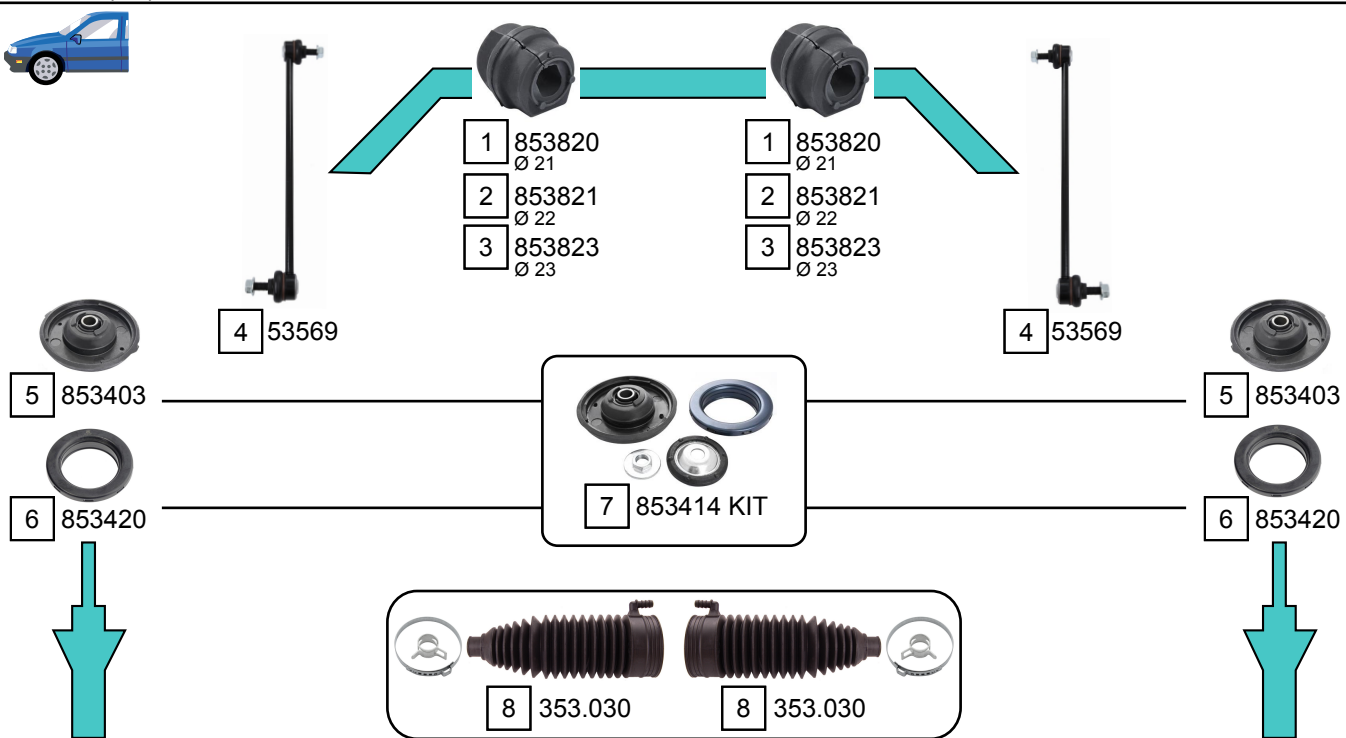


307 (3A/C)  
307 BREAK (3E) / SW (3H)  
307 CC (3B)

09/2001 - 12/2012  
03/2002 - 12/2009  
10/2003 - 04/2009



Ref.	Sidem Ref.	Description	OE-number	Measures	Ref.	Sidem Ref.	Description	OE-number	Measures
1	853820	stabilizer mounting	5094 87	di:20.5	10	53435	tie rod end	3817 42	c:12.1 th:MM14x1.5R
2	853821	stabilizer mounting	5094 E0	di:21	11	53434	tie rod end	3817 41	c:12.1 th:MM14x1.5R
3	853823	stabilizer mounting	5094 E3	di:22.5	12	53019	axial joint	3812 E5	th:MM14X1.5R L:343
4	53569	stabilizer link	5087 77	L:335	13	53234	tie rod end	3817 50	c:12 th:MM14X1.5R
5	853403	strut mount	5038 G0	di:14.5 do:119 L:29.5	14	53076	TCA left wobj	3520 K8	c:15.3
6	853420	bearing	5035 27	di:65 do:99.5 L:20	15	53077	TCA right wobj	3521 G8	c:15.3
7	853414 KIT	strut mount kit	5038 G0 S1	di:14 do:119 L:29	16	853630	silentblock for TCA	3523 91	di:14.1 do:55.2
8	353.030	steering rack gaiter	4066 73	D:60 d:17 L:185	17	853631	silentblock for TCA	3523 92	di:14.2 do:55.3
9	53011	axial joint	3812 E0	th:MM14X1.5R L:322	18	53585	ball joint	3640 68	c:15.7