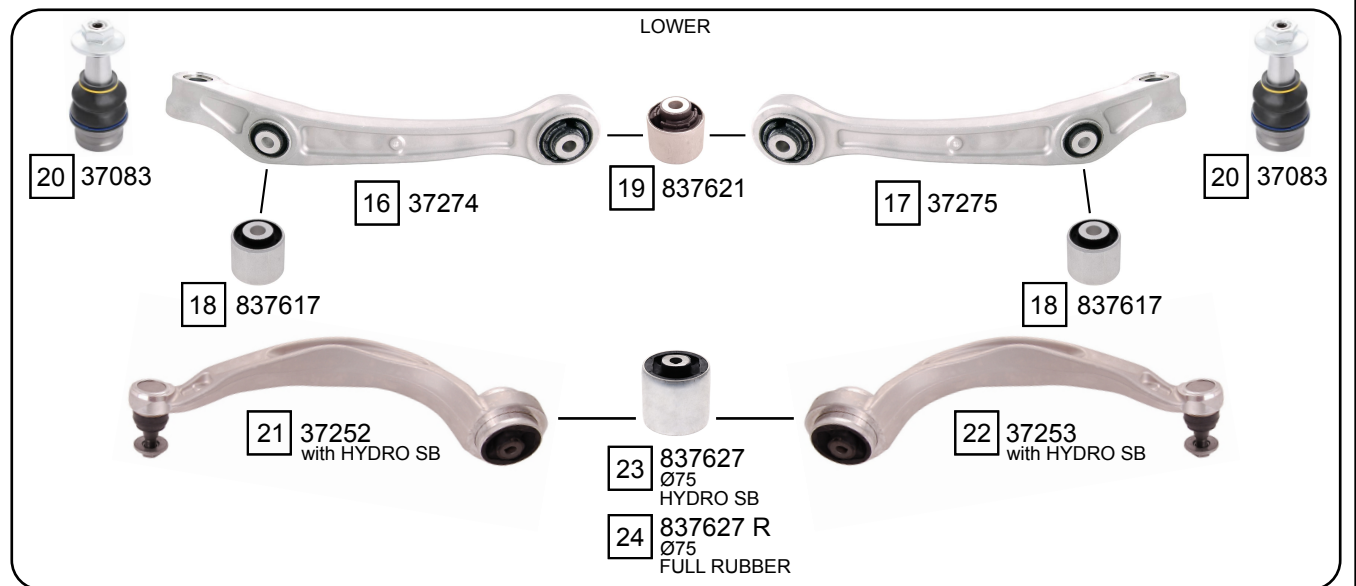
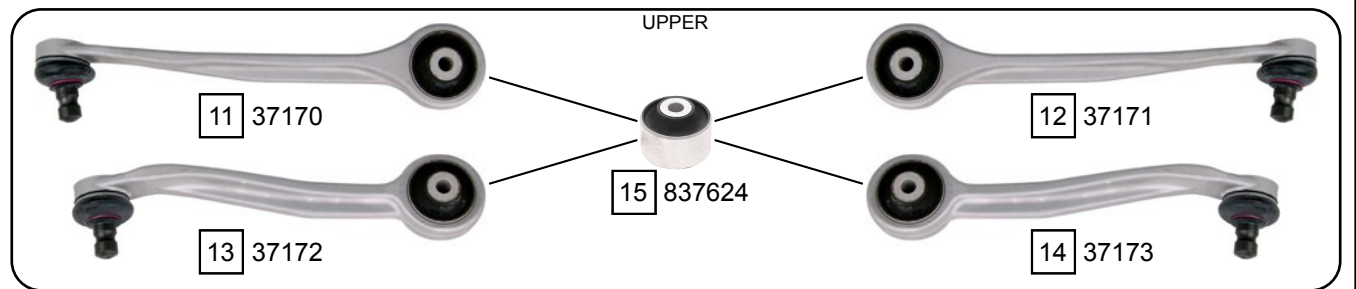
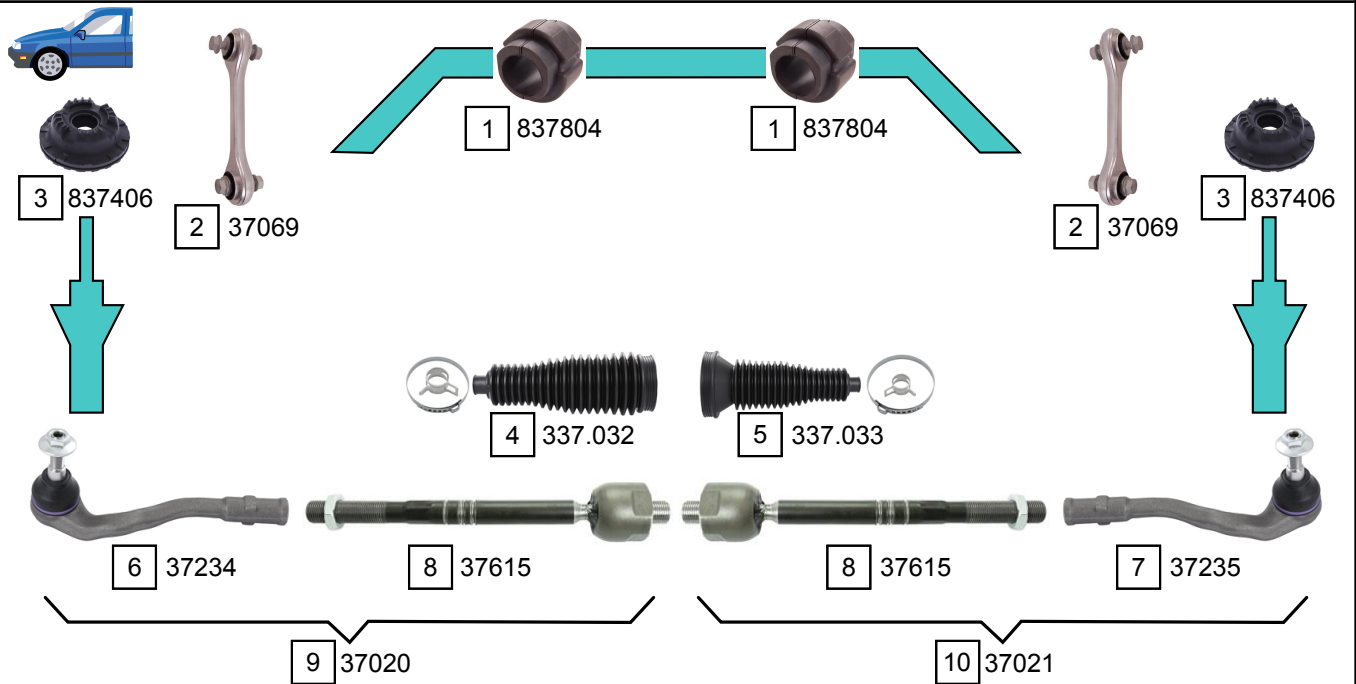


MACAN (95B)

02/2014 ->



Ref.	Sidem Ref.	Description	OE-number	Measures	Ref.	Sidem Ref.	Description	OE-number	Measures
1	837804	stabilizer mounting	4D0 411 327 J	di:29	13	37172	TCA left wbj	8K0 407 509 B	c:16
2	37069	stabilizer link	4G0 411 317 A	L:170	14	37173	TCA right wbj	8K0 407 510 B	c:16
3	837406	strut mount	8K0 412 377 C	di:12.5 do:114 L:53.5	15	837624	silentblock for TCA	8R0 407 515	di:10.2 do:46.2
4	337.032	steering rack gaiter	4G0 423 831	D:54 d:16 L:187	16	37274	TCA left wobj	8K0 407 151 F	c:17
5	337.033	steering rack gaiter	4G0 423 832 A	D:79 d:16 L:201	17	37275	TCA right wobj	8K0 407 152 F	c:17
6	37234	tie rod end left	8K0 422 817 B	c:14.7 th:FM16x1.5R	18	837617	silentblock for TCA	4E0 407 181 B	di:12.3 do:43.8
7	37235	tie rod end right	8K0 422 818 B	c:14.7 th:FM16x1.5R	19	837621	silentblock for TCA	8K0 407 182 B	di:12.2 do:50.3
8	37615	axial joint	4G0 423 810 A	th:MM16X1.5R L:236	20	37083	ball joint	4G0 407 689 C	c:17.4 do:42
9	37020	tie rod left	4G0 423 810 A S1	c:14.7	21	37252	TCA left wbj	9A7 407 693 03	c:16.8
10	37021	tie rod right	4G0 423 810 A S2	c:14.7	22	37253	TCA right wbj	9A7 407 694 03	c:16.8
11	37170	TCA left wbj	8K0 407 505 B	c:16	23	837627	silentblock for TCA	8K0 407 183 F	di:13 do:75.2
12	37171	TCA right wbj	8K0 407 506 B	c:16	24	837627 R	silentblock for TCA	8K0 407 183 F	di:13 do:75.2