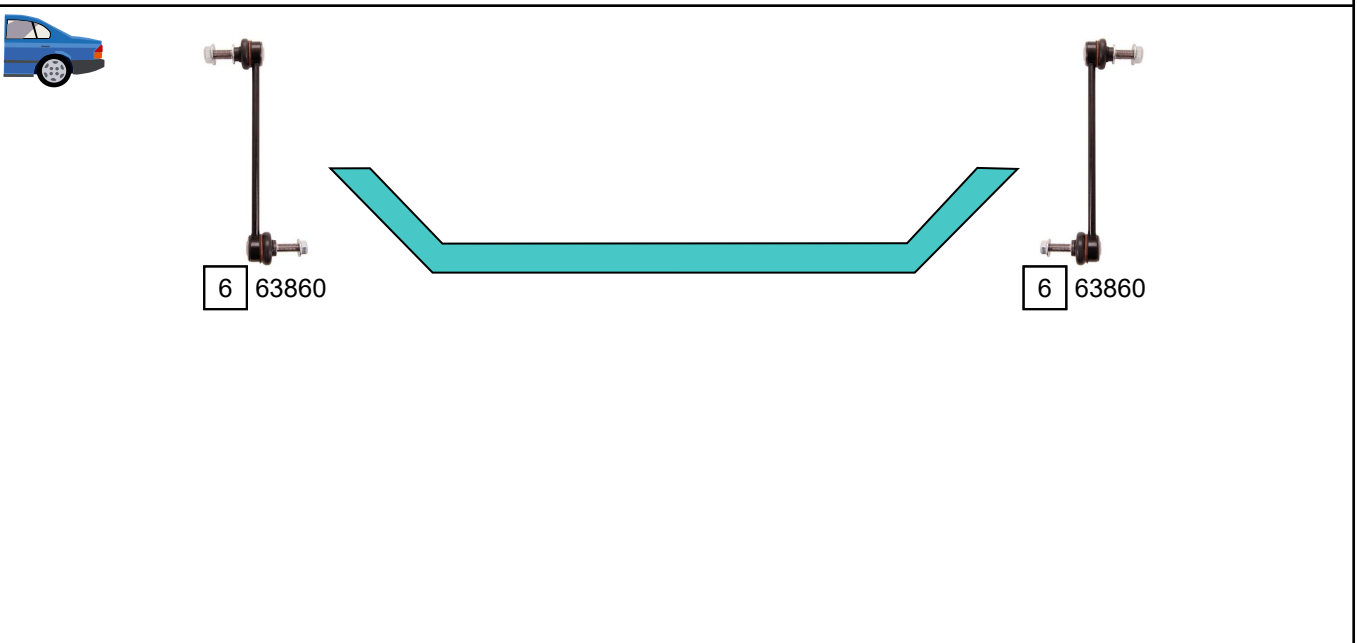
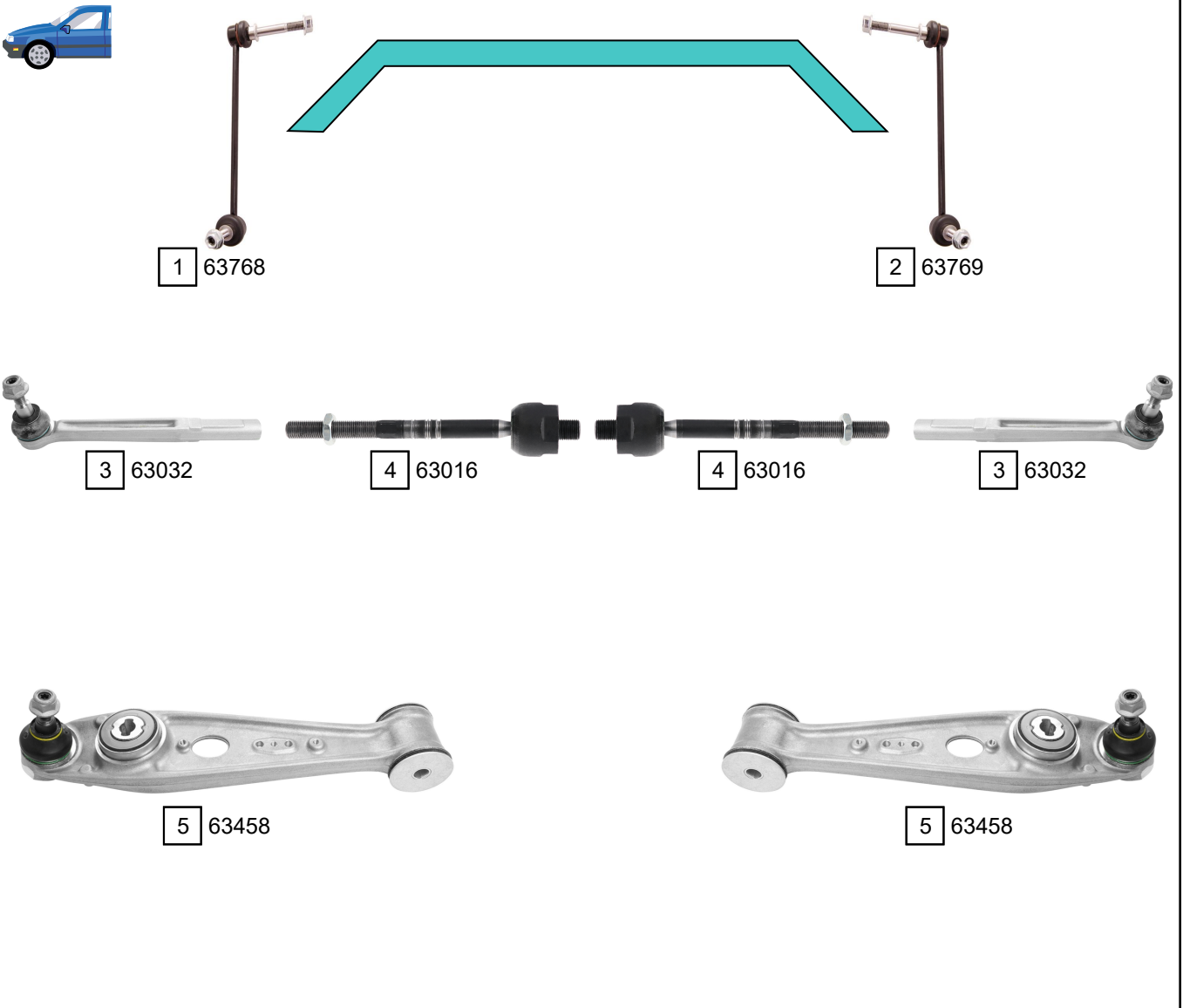


911 (992)
911 CONVERTIBLE (992)
911 TARGA (992)

11/2018 ->
01/2019 ->
05/2020 ->



Ref.	Sidem Ref.	Description	OE-number	Measures	Ref.	Sidem Ref.	Description	OE-number	Measures
1	63768	stabiliser link left	991 343 069 02	L:260	4	63016	axial joint	992 423 810	th:MM16X1.5R L:202
2	63769	stabiliser link right	991 343 070 02	L:260	5	63458	TCA wbj	992 407 151 G	c:16.2
3	63032	tie rod end	992 423 811	c:15 th:FM14X1.5R	6	63860	stabiliser link	991 333 071 02	L:235