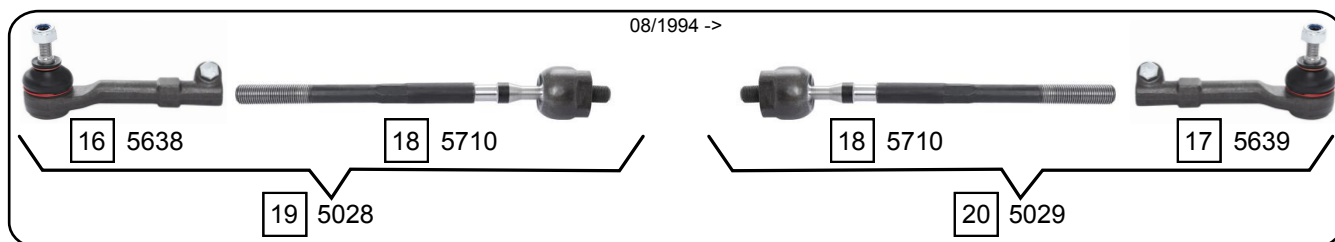
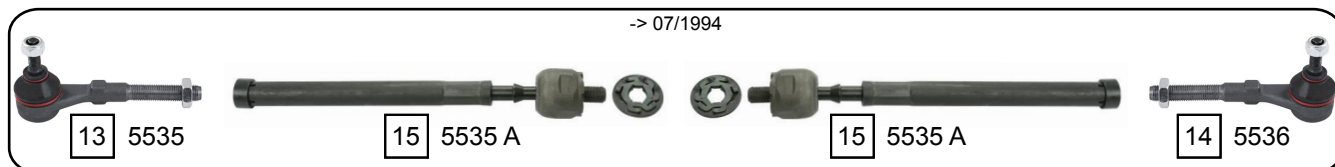
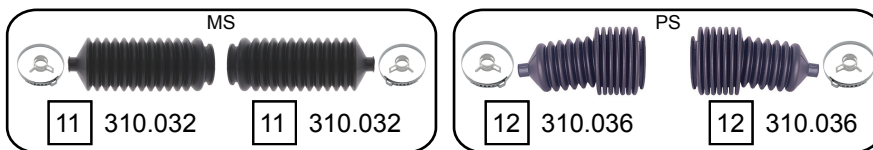
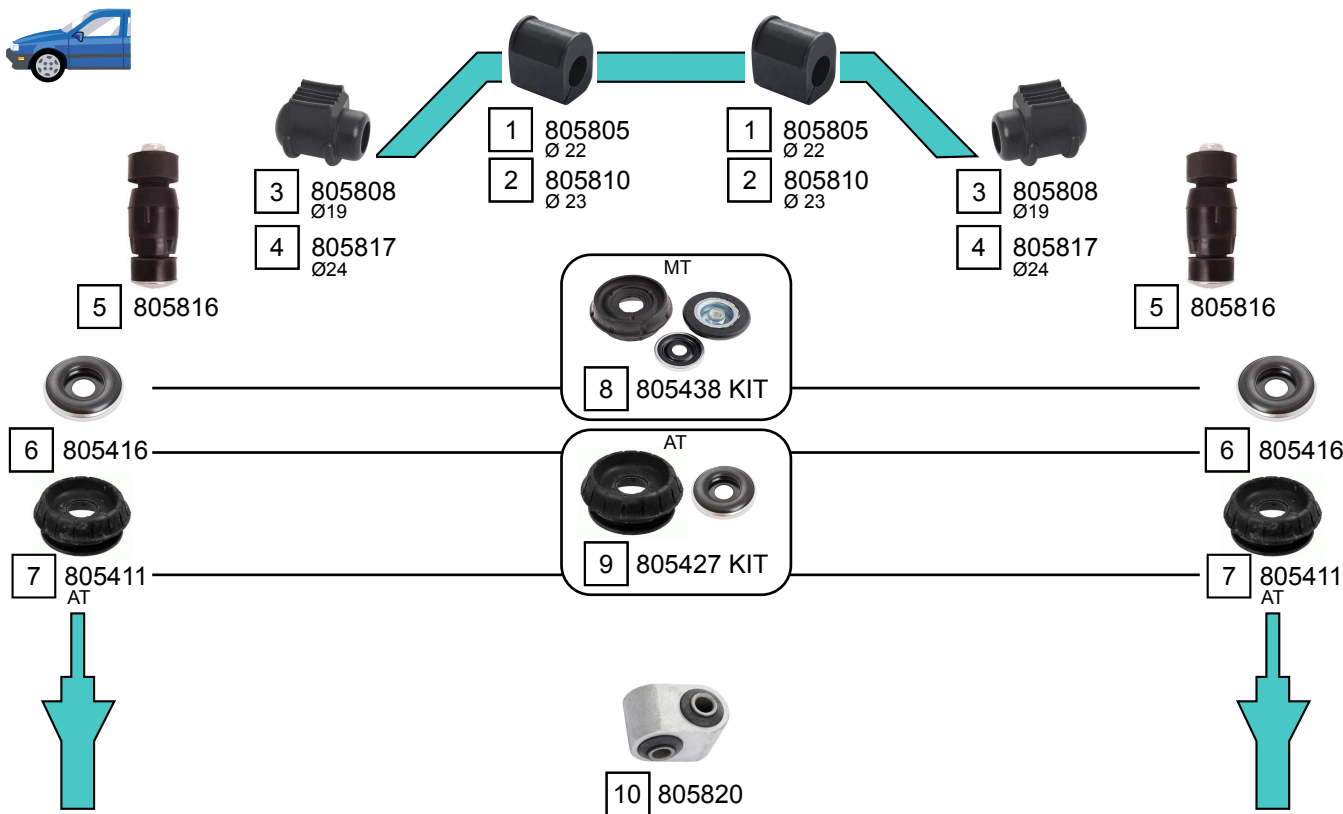


CLIO I (B/C57_, 5/357_)

05/1990 - 09/1998



Ref.	Sidem Ref.	Description	OE-number	Measures	Ref.	Sidem Ref.	Description	OE-number	Measures
1	805805	stabilizer mounting	77 00 798 053	di:20.5	11	310.032	steering rack gaiter	77 00 781 097	D:30 d:10 L:158
2	805810	stabilizer mounting	77 00 785 788	di:21.5	12	310.036	steering rack gaiter	77 01 469 617	D:40 d:10 L:160
3	805808	stabilizer link	77 00 760 264	L:57	13	5535	tie rod end left	77 01 467 273	c:11.9 th:MM14x1.5R
4	805817	stabilizer mounting	77 00 784 170	L:61	14	5536	tie rod end right	77 01 467 274	c:11.9 th:MM14x1.5R
5	805816	stabilizer link	77 00 799 404	L:75	15	5535 A	axial joint	Part of	th:MM12X1R L:241
6	805416	bearing	82 00 651 172	di:16.2 do:56 L:9	16	5638	tie rod end left	77 01 470 765	c:12 th:FM14x1.5R
7	805411	strut mount	77 00 827 436	di:28 do:85 L:41	17	5639	tie rod end right	77 01 470 766	c:12 th:FM14x1.5R
8	805438 KIT	strut mount kit	77 01 470 088	di:16	18	5710	axial joint	77 01 471 125	th:MM12X1R L:242
9	805427 KIT	strut mount kit	77 00 827 436 S3	di:28 do:96 L:39	19	5028	tie rod left	77 01 467 539	c:12
10	805820	joint steering column	77 00 687 433		20	5029	tie rod right	77 01 467 540	c:12