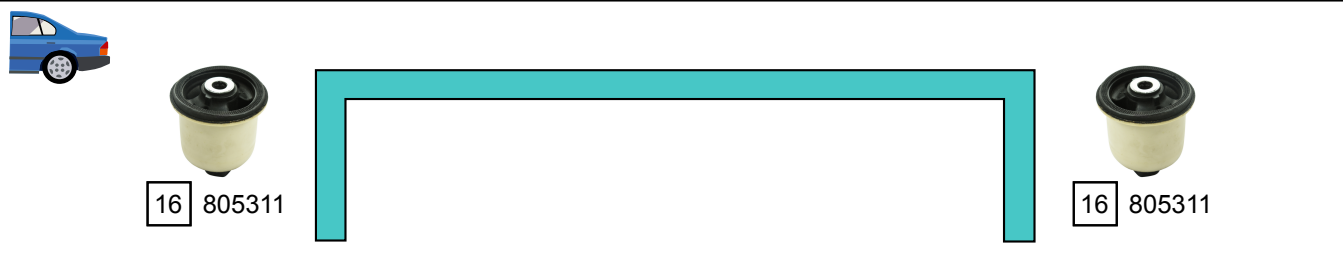
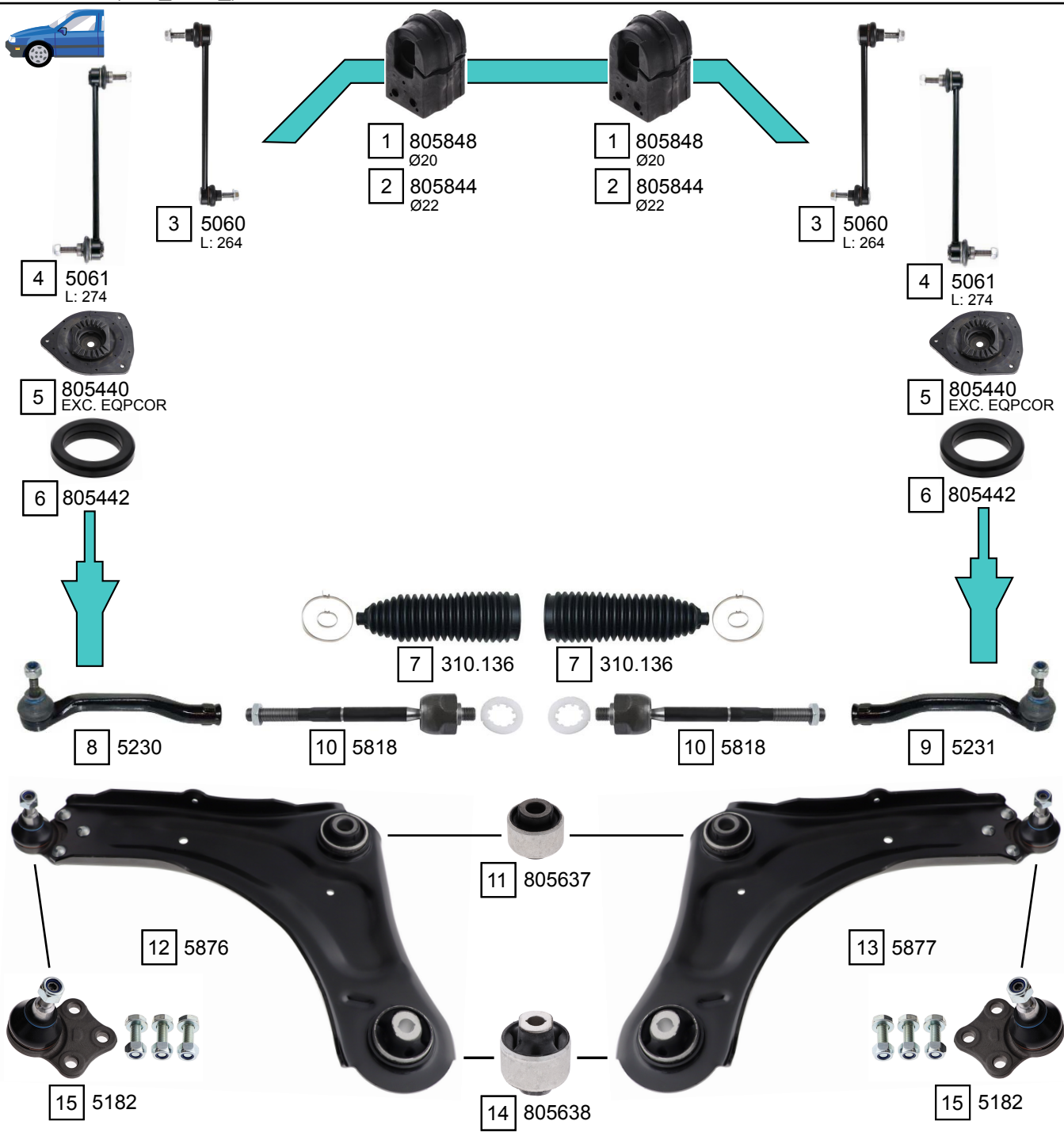


FLUENCE (B30\_, L30\_)

02/2010 - 12/2019



Ref.	Sidem Ref.	Description	OE-number	Measures	Ref.	Sidem Ref.	Description	OE-number	Measures
1	805848	stabilizer mounting	54 61 200 05R	di:20	9	5231	tie rod end right	48 52 046 80R	c:11.8 th:FM14x1.5R
2	805844	stabilizer mounting	54 61 200 07R	di:22.5	10	5818	axial joint	Part of	th:MM14x1.5R L:213
3	5060	stabilizer link	54 61 800 09R	L:264	11	805637	silentblock for TCA	Part of	di:18.3 do:55
4	5061	stabilizer link	54 61 800 06R	L:274	12	5876	TCA left wbj	54 50 140 55R	c:17.2
5	805440	strut mount	54 32 000 01R	di:13.4	13	5877	TCA right wbj	54 50 092 07R	c:17.2
6	805442	bearing	54 32 565 57R	di:99 do:140 L:34	14	805638	silentblock for TCA	Part of	di:14.3 do:58
7	310.136	steering rack gaiter	48 20 367 15R	D:55 d:14 L:211	15	5182	ball joint	40 16 090 60R	c:17.2
8	5230	tie rod end left	48 52 027 10R	c:11.8 th:FM14x1.5R	16	805311	mounting axle body	55 04 500 07R	di:12.1 do:67.8