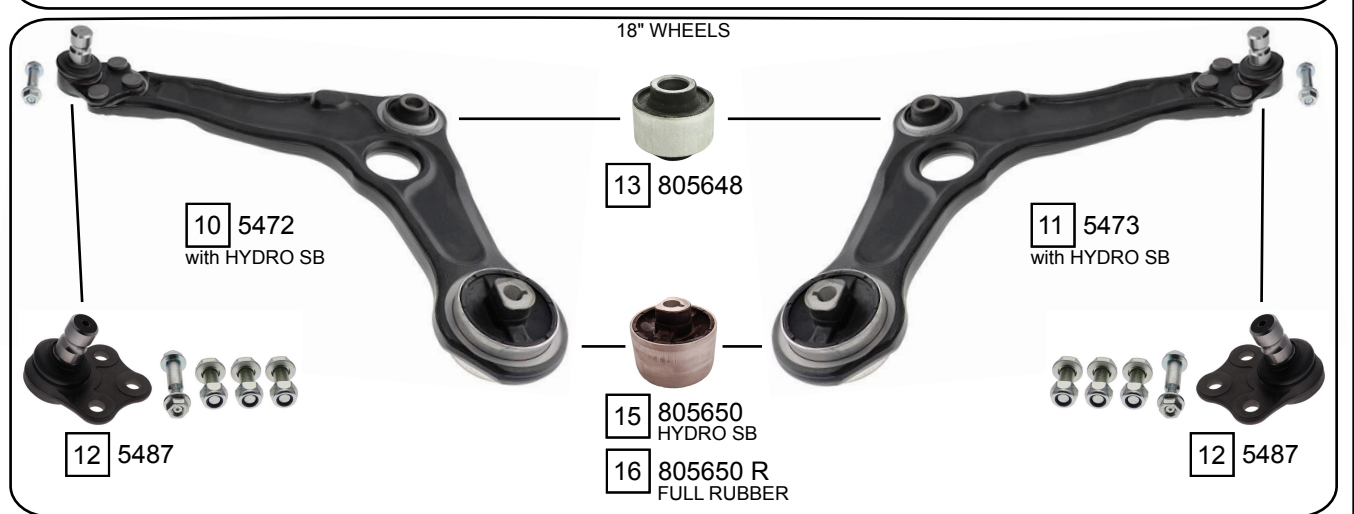
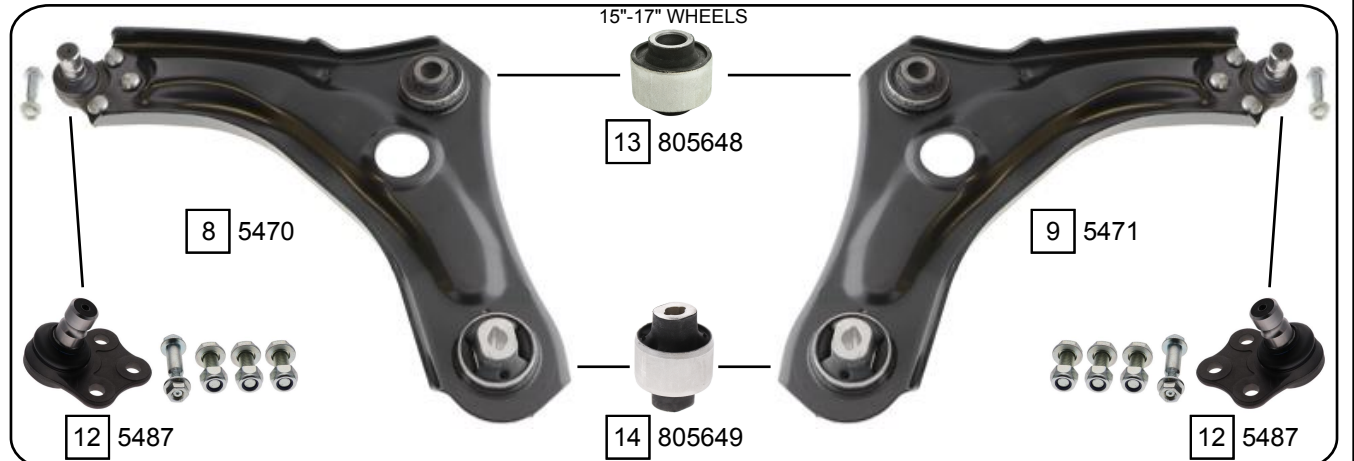
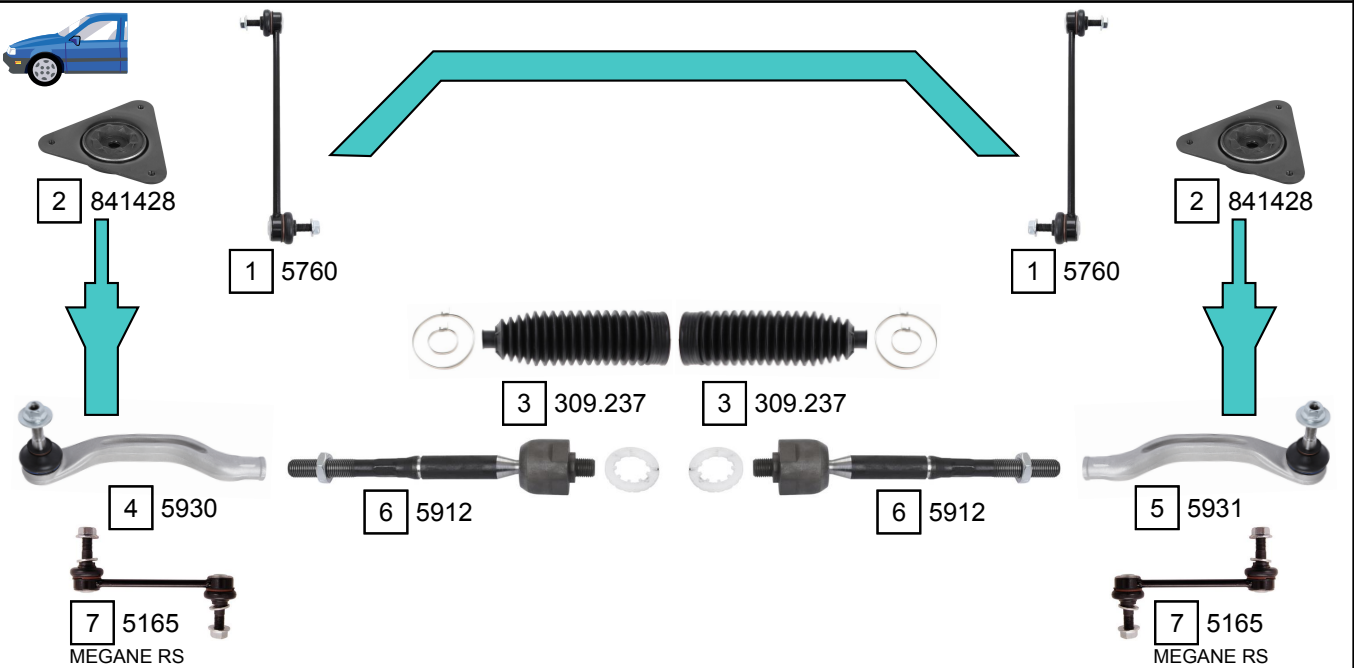


MEGANE IV (B9A/M_)
MEGANE IV GRANDTOUR (K9A/M_)
MEGANE IV SALOON

11/2015 ->
04/2016 ->
10/2016 ->



Ref.	Sidem Ref.	Description	OE-number	Measures	Ref.	Sidem Ref.	Description	OE-number	Measures
1	5760	stabilizer link	54 61 870 05R	L:275	9	5471	TCA right wbj	54 50 420 21R	c:22
2	841428	strut mount	54 32 069 68R	di:13.5	10	5472	TCA left wbj	54 50 583 39R	c:22
3	309.237	steering rack gaiter	48 20 344 51R	D:56 d:16 L:212	11	5473	TCA right wbj	54 50 488 28R	c:22
4	5930	tie rod end left	48 52 064 81R	c:11.9 th:FM14X1.5R	12	5487	ball joint	Part of	c:22
5	5931	tie rod end right	48 52 013 40R	c:11.9 th:FM14X1.5R	13	805648	silentblock for TCA	Part of	di:18.5 do:55
6	5912	axial joint	Part of	th:MM14X1.5R L:215	14	805649	silentblock for TCA	Part of	di:14.2 do:58
7	5165	stabilizer link	54 31 767 22R	L:153	15	805650	silentblock for TCA	Part of	di:14.5 do:76
8	5470	TCA left wbj	54 50 589 92R	c:22	16	805650 R	silentblock for TCA	Part of	di:14.5 do:76