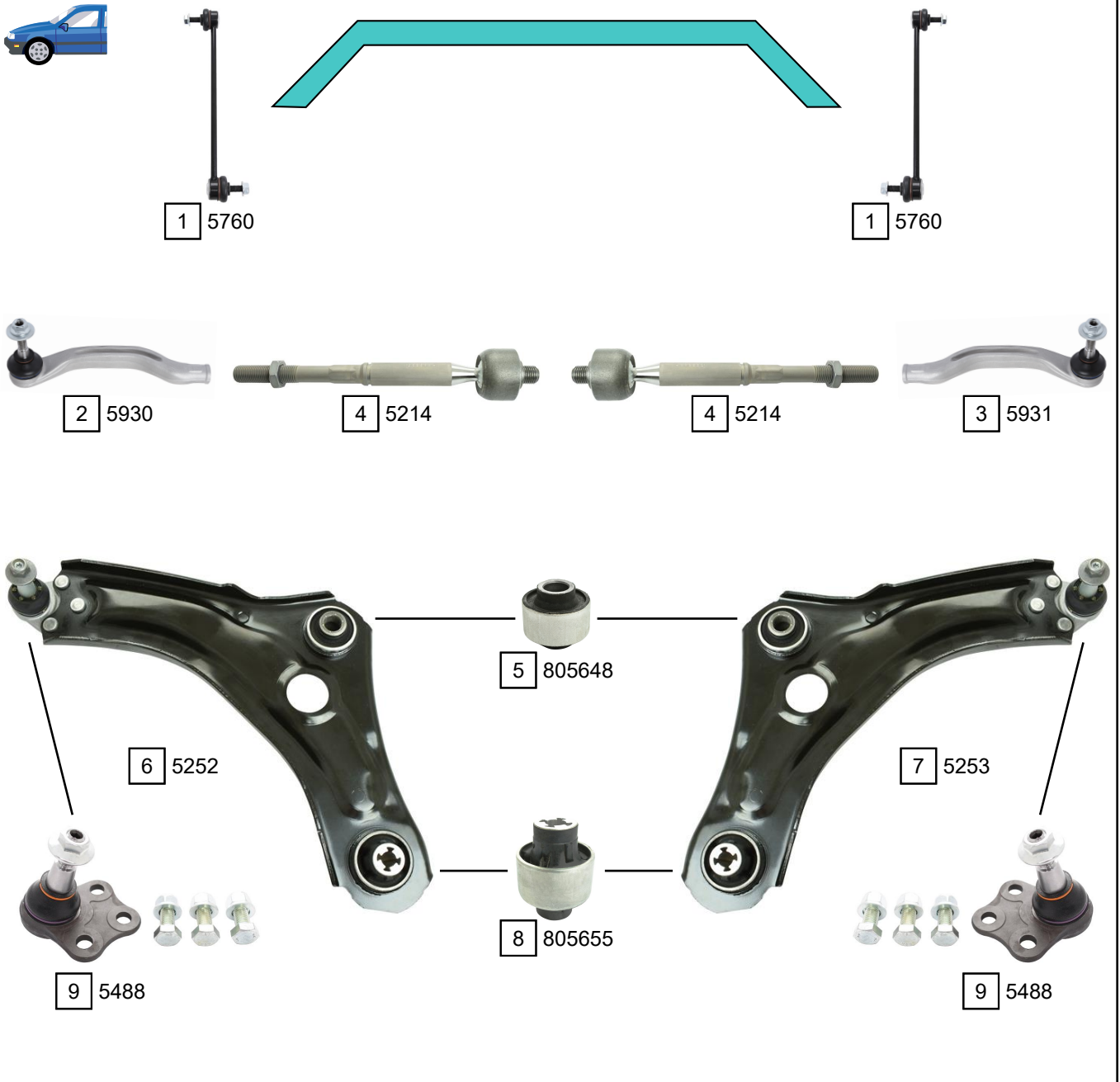


RENAULT KANGOO

KANGOO III MPV (KFK)
KANGOO III VAN (FFK)
KANGOO III E-TECH

07/2021 ->
06/2021 ->
04/2022 ->



Ref.	Sidem Ref.	Description	OE-number	Measures	Ref.	Sidem Ref.	Description	OE-number	Measures
1	5760	stabiliser link	54 61 870 05R	L:275	6	5252	TCA left wbj	54 50 542 69R	c:15.8
2	5930	tie rod end left	48 52 064 81R	c:11.9 th:FM14X1.5R	7	5253	TCA right wbj	54 50 427 38R	c:15.8
3	5931	tie rod end right	48 52 013 40R	c:11.9 th:FM14X1.5R	8	805655	silentblock for TCA	Part of	di:14.2 do:58
4	5214	axial joint	Part of	th:MM14X1.5R L:221	9	5488	ball joint	Part of	c:15.8
5	805648	silentblock for TCA	Part of	di:18.5 do:55					