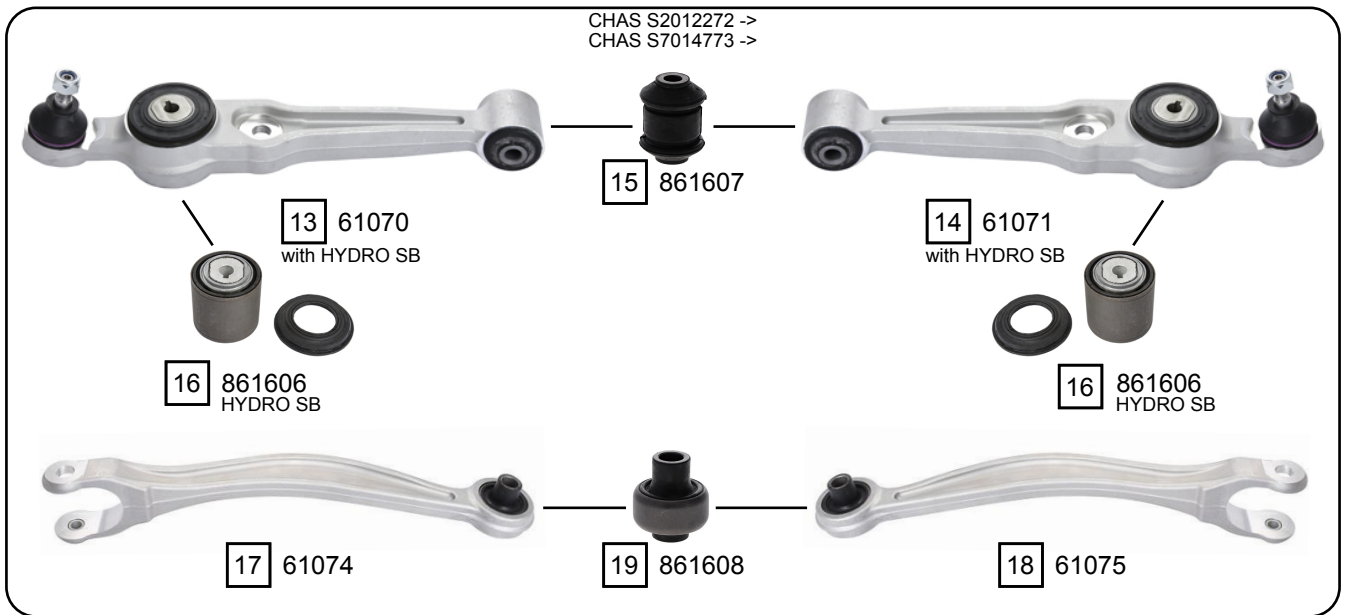
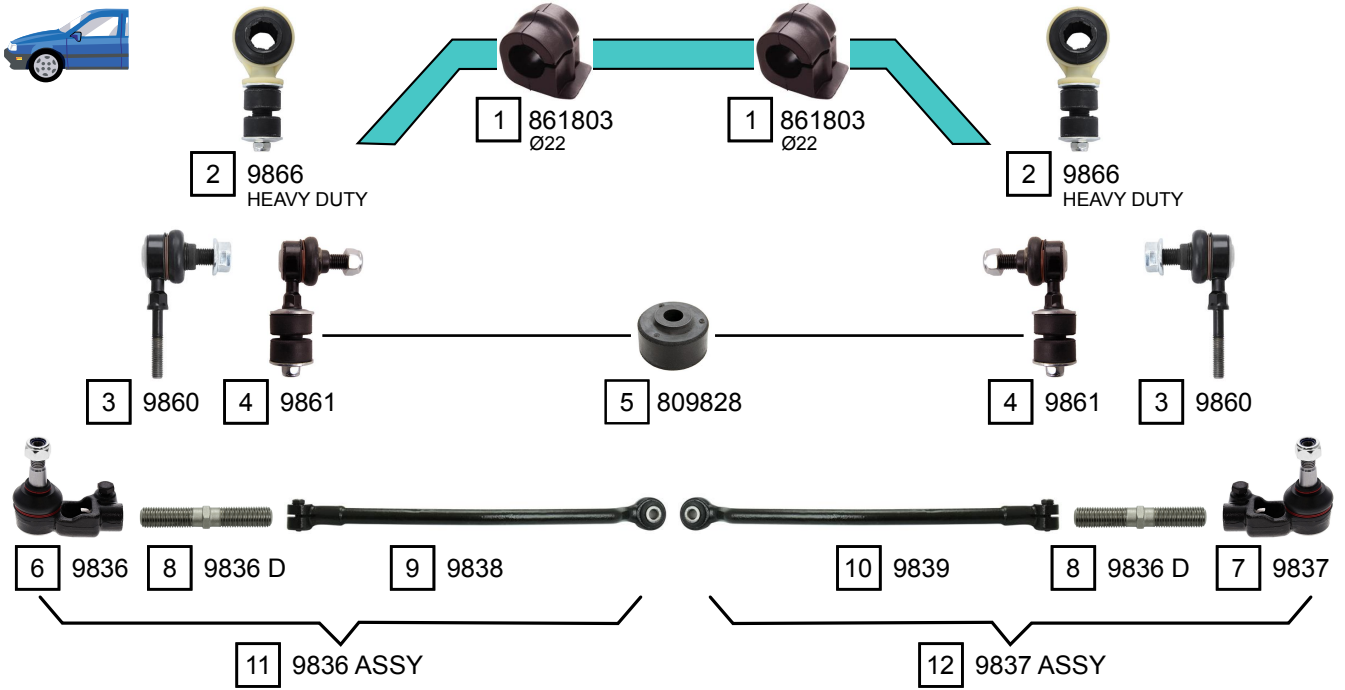


900 II

07/1993 - 02/1998



Ref.	Sidem Ref.	Description	OE-number	Measures	Ref.	Sidem Ref.	Description	OE-number	Measures
1	861803	stabilizer mounting	45 43 518	di:21.5	11	9836 ASSY	tie rod left	42 42 673 S1	c:13
2	9866	stabilizer link with kit	30 540 743	L:87	12	9837 ASSY	tie rod right	42 42 681 S1	c:13
3	9860	stabilizer link	45 44 599	L:83	13	61070	TCA left wbj	45 43 450	c:13.5
4	9861	stabilizer link with kit	45 44 599	L:84	14	61071	TCA right wbj	45 43 468	c:13.5
5	809828	stabilizer mounting	42 46 112	di:8.5	15	861607	silentblock for TCA	Part of	di:12.2 do:38.2
6	9836	tie rod end left	42 42 749	c:13 th:FM16X2R	16	861606	silentblock for TCA + ring	45 45 711	di:12.2 do:58.4
7	9837	tie rod end right	42 42 756	c:13 th:FM16X2L	17	61074	TCA left wobj	46 47 004	L:425
8	9836 D	adjusting bolt	42 42 731	L:105	18	61075	TCA right wobj	46 47 012	L:425
9	9838	axial joint	42 42 673	th:FM16X2L	19	861608	silentblock for TCA	44 82 402	di:16.2 do:50.5
10	9839	axial joint	42 42 681	th:FM16X2					