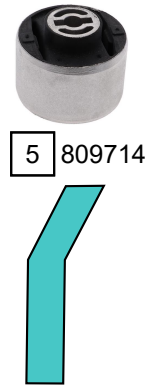
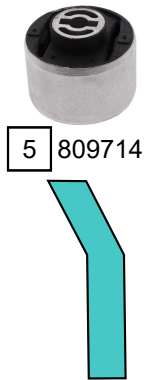
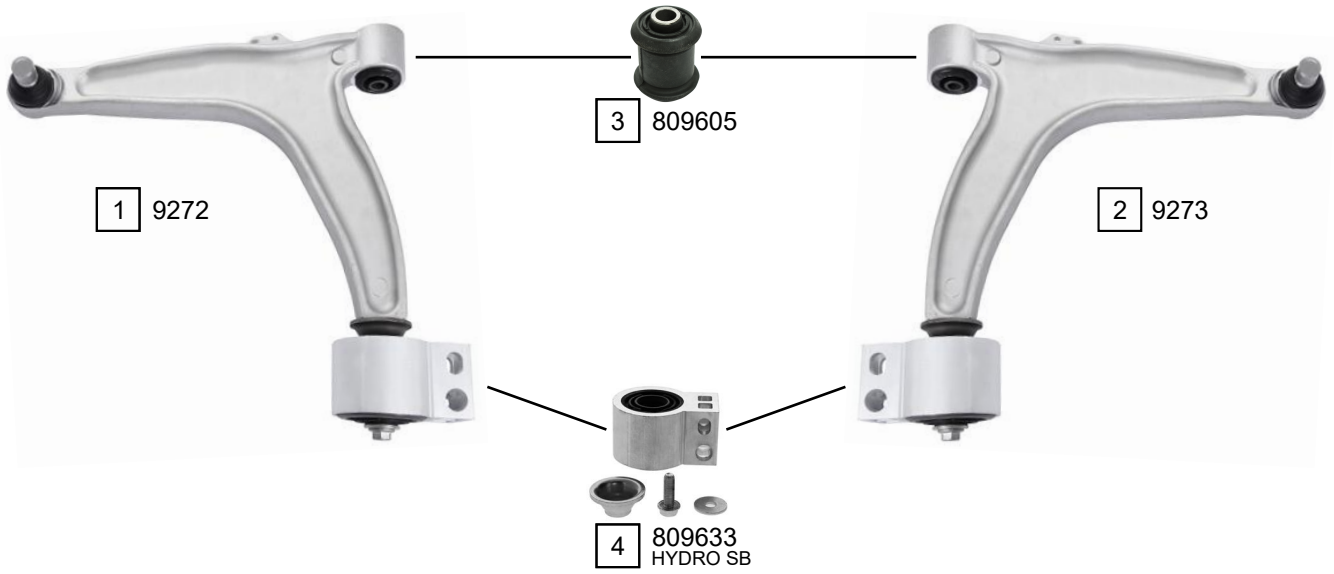


9-3 (YS3F)

10/2002 - 02/2015



Ref.	Sidem Ref.	Description	OE-number	Measures	Ref.	Sidem Ref.	Description	OE-number	Measures
1	9272	TCA left wbj	12 796 013	c:20	4	809633	silentblock for TCA	12 786 412	di:19.4
2	9273	TCA right wbj	12 796 014	c:20	5	809714	silentblock for TCA	12 756 395	di:12.1 do:70.3
3	809605	silentblock for TCA	45 66 899	di:12.2 do:36					