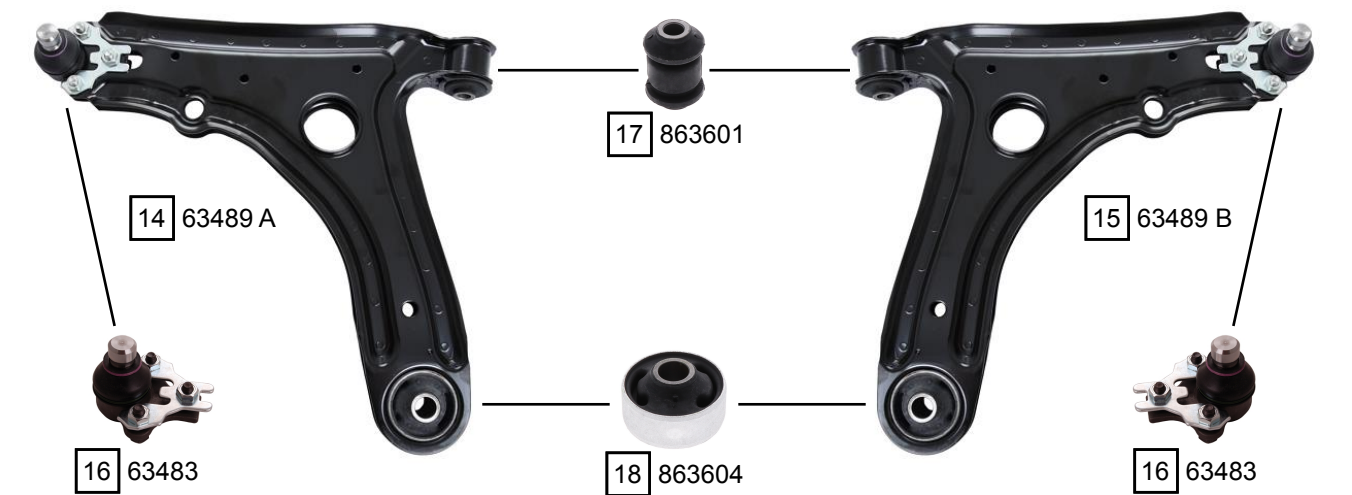
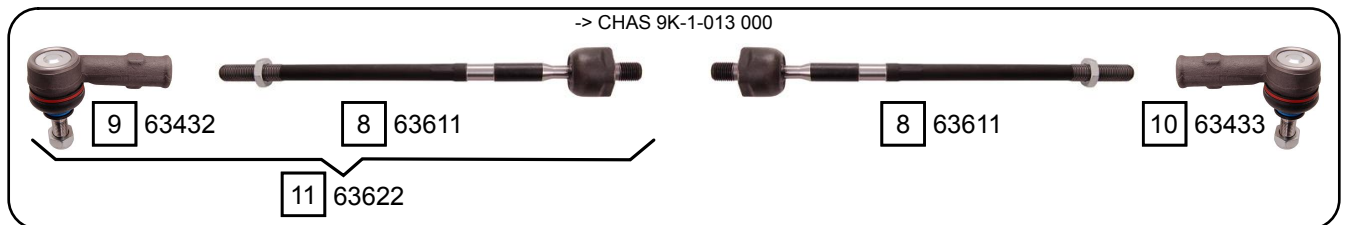
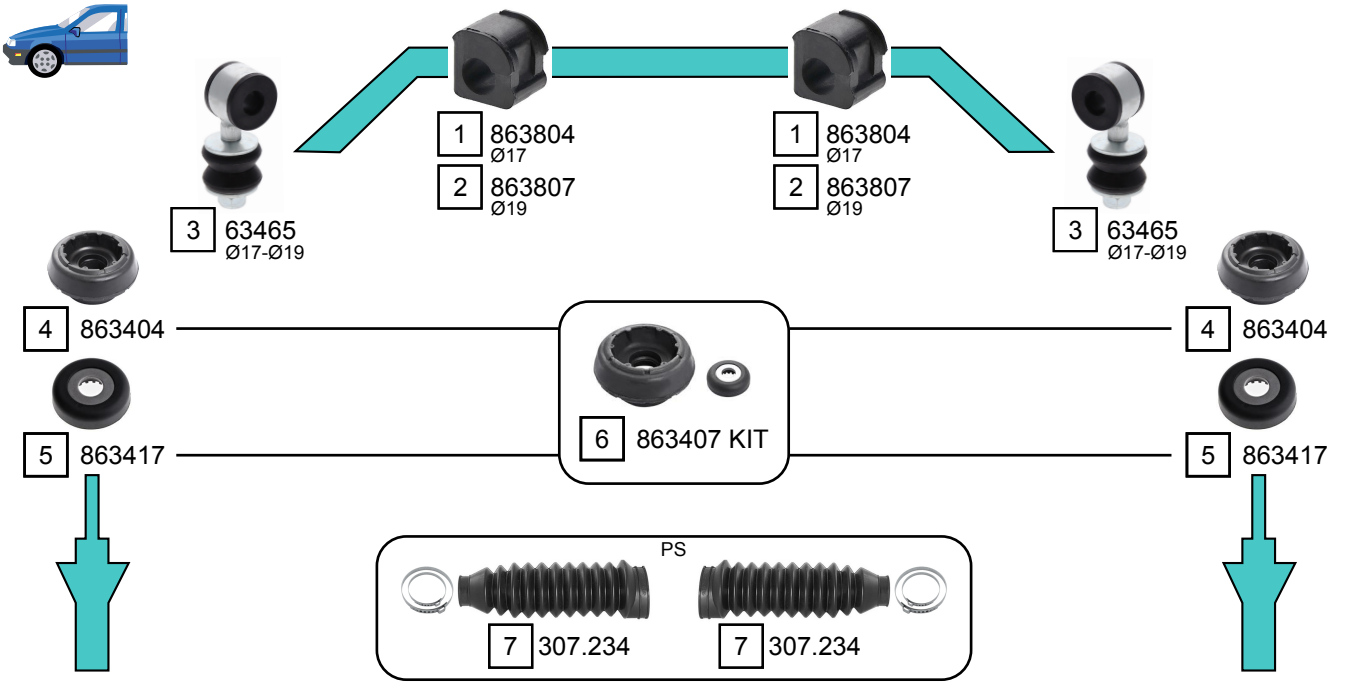


INCA (6K9)

11/1995 - 06/2003



Ref.	Sidem Ref.	Description	OE-number	Measures	Ref.	Sidem Ref.	Description	OE-number	Measures
1	863804	stabilizer mounting	191 411 314	di:17	10	63433	tie rod end right	6N0 422 812	c:12.6 th:FM14x1.5R
2	863807	stabilizer mounting	1H0 411 314	di:19	11	63622	tie rod left	6K0 422 803 D	c:12.6
3	63465	stabilizer link	6K0 411 315	L:78	12	37132	tie rod end	6X0 422 811	c:12.7 th:FM14x1.5R
4	863404	strut mount	7M0 412 331	di:26.5 do:96.7 L:50	13	37133	tie rod end	6X0 422 812	c:12.7 th:FM14x1.5R
5	863417	bearing	1J0 412 249	di:14.3 do:45.3 L:13.4	14	63489 A	TCA left wbj	191 407 151 B S1	c:19
6	863407 KIT	strut mount kit	7M0 412 331 S1	di:14 do:98 L:50	15	63489 B	TCA right wbj	191 407 151 B S2	c:19
7	307.234	steering rack gater	1H0 422 831 B	D:41 d:10 L:210	16	63483	ball joint lower	357 407 365 A	c:19
8	63611	axial joint	Part of	th:MM14X1.5R L:319	17	863601	silentblock for TCA	357 407 182	di:12.1 do:33
9	63432	tie rod end left	6N0 419 811	c:12.6 th:FM14x1.5R	18	863604	silentblock for TCA	191 407 181 D	di:17 do:60.1