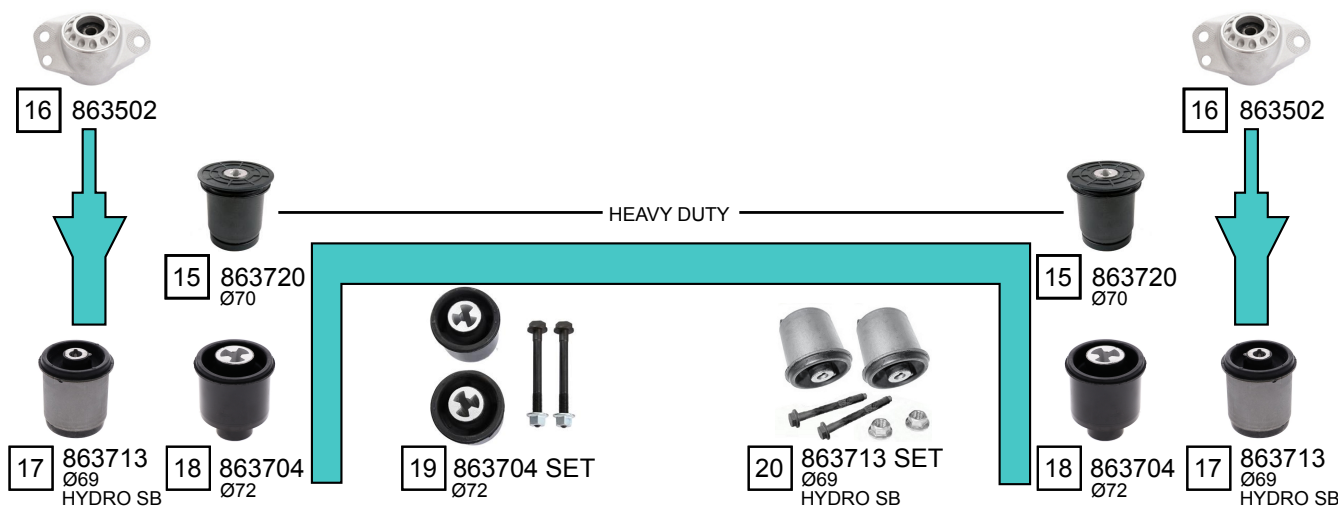
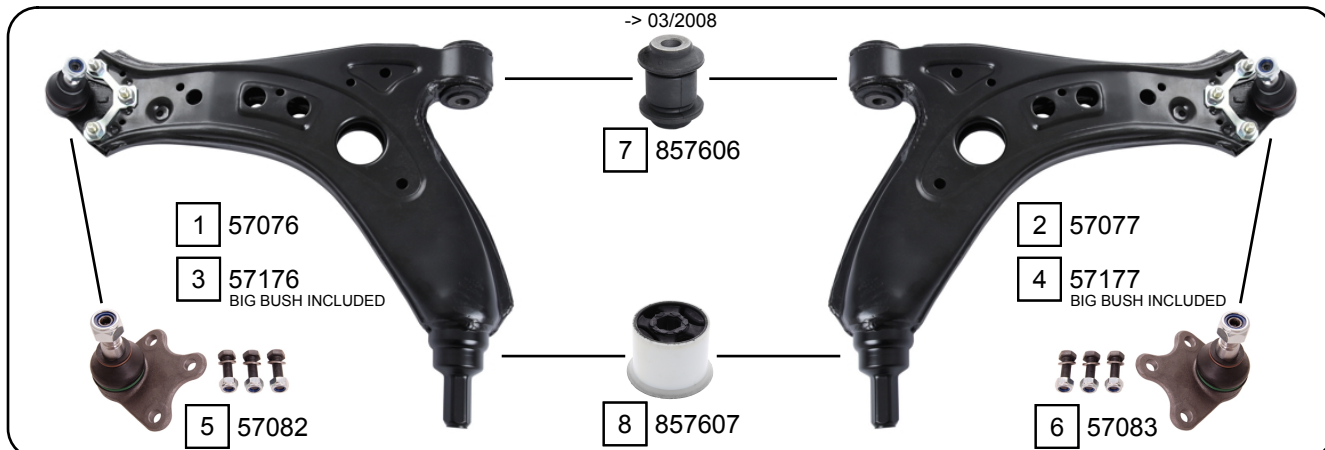


CORDOBA (6L2)

11/2002 - 11/2009



Ref.	Sidem Ref.	Description	OE-number	Measures	Ref.	Sidem Ref.	Description	OE-number	Measures
1	57076	TCA left wbj	6Q0 407 151 L S1	c:14.8	11	57084	ball joint left	6R0 407 365 A	c:14.9
2	57077	TCA right wbj	6Q0 407 151 L S2	c:14.8	12	57085	ball joint right	6R0 407 366 A	c:14.9
3	57176	TCA left wbj	6Q0 407 151 L S3	c:14.8	13	863601	silentblock for TCA	357 407 182	di:12.1 do:33
4	57177	TCA right wbj	6Q0 407 151 L S4	c:14.8	14	863602	silentblock for TCA	1J0 407 181	di:13 do:60
5	57082	ball joint	6Q0 407 365 A	c:14.8	15	863720	mounting axle body	6Q0 501 541 E	di:12.1 do:70
6	57083	ball joint	6Q0 407 366 A	c:14.8	16	863502	strut mount	6R0 513 353	di:11.1 do:62 L:58.8
7	857606	silentblock for TCA	6Q0 407 182 A	di:12.1 do:33	17	863713	mounting axle body	1J0 501 541 D	di:13.2 do:69
8	857607	silentblock for TCA	1K0 407 183 E	di:18.5 do:63.5	18	863704	mounting axle body	1J0 501 541 C	di:12.1 do:71.5
9	57170	TCA left wbj	6R0 407 151	c:14.9	19	863704 SET	mounting axle body set	1J0 501 541 C S1	do:71.5
10	57171	TCA right wbj	6R0 407 152	c:15	20	863713 SET	mounting axle body set	1J0 501 541 D S1	do:69