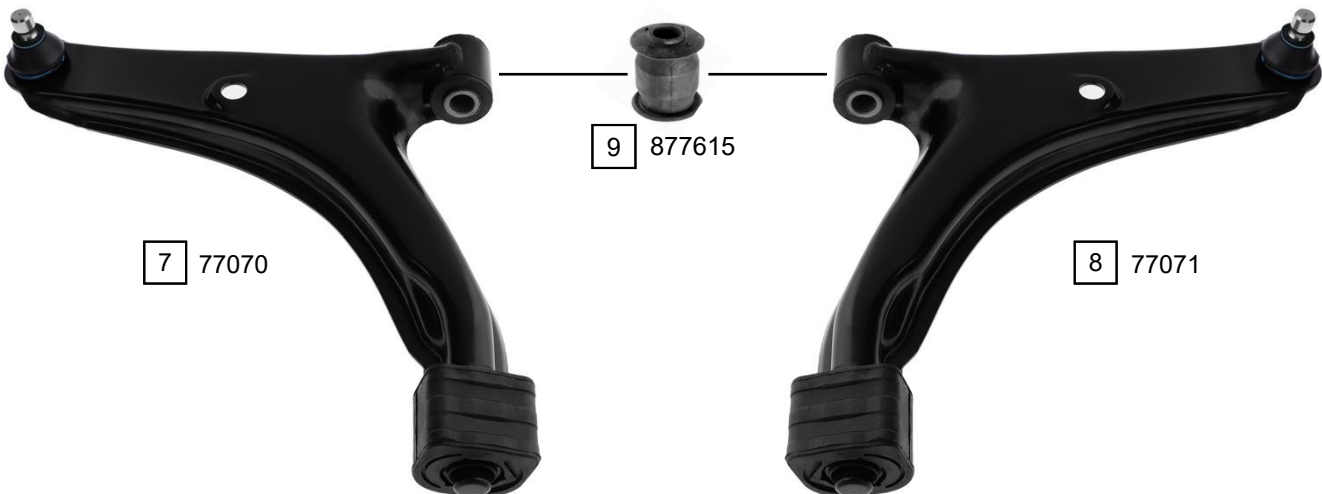
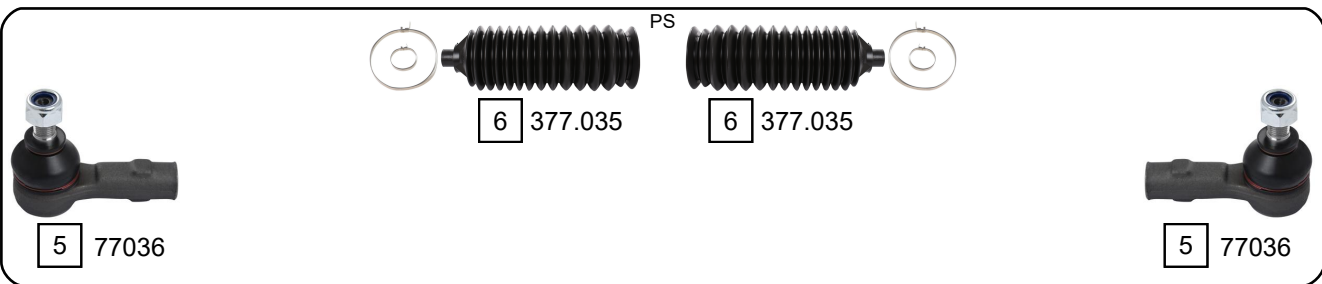
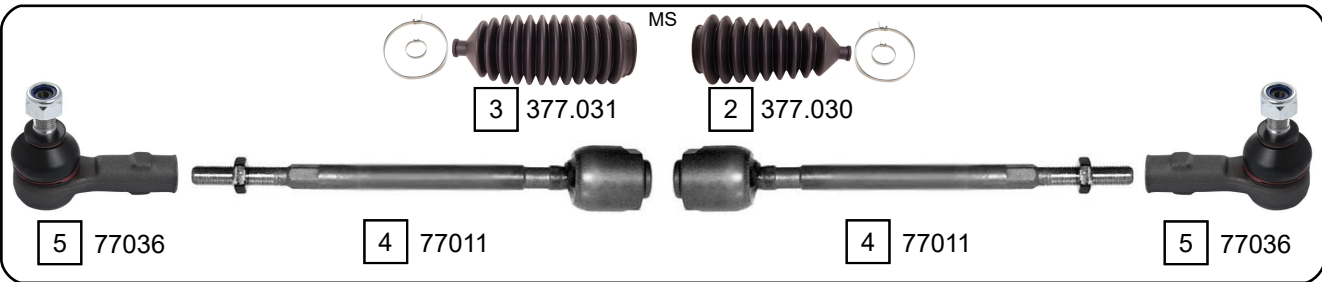
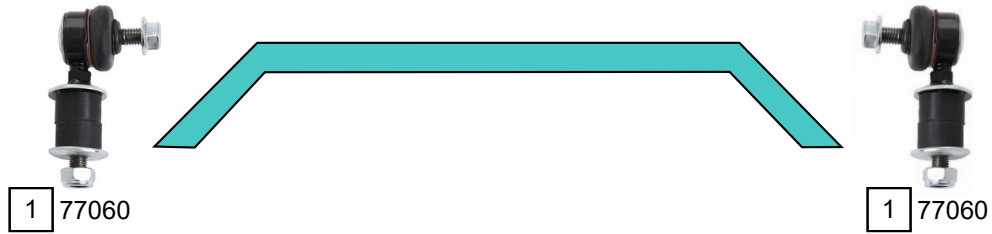


SWIFT II HATCHBACK (EA, MA)
SWIFT II SALOON (AH, AJ)

03/1989 - 12/2005
03/1989 - 05/2001



| Ref. | Sidem Ref. | Description | OE-number | Measures | Ref. | Sidem Ref. | Description | OE-number | Measures |
|------|------------|----------------------|--------------|----------------------|------|------------|----------------------|-------------|-----------------|
| 1 | 77060 | stabiliser link | 46630 60B01 | L:78 | 6 | 377.035 | steering rack gaiter | 48571 60B10 | D:38 d:13 L:180 |
| 2 | 377.030 | steering rack gaiter | 48571 M82000 | D:46 d:10 L:166 | 7 | 77070 | TCA left wbj | 45200 60820 | c:15 |
| 3 | 377.031 | steering rack gaiter | 48572 M82000 | D:43 d:10 L:176 | 8 | 77071 | TCA right wbj | 45200 60810 | c:15 |
| 4 | 77011 | axial joint | 48830 60B00 | th:FM14X1.5R L:288 | 9 | 877615 | silentblock for TCA | 45530 70C00 | di:16.5 do:34 |
| 5 | 77036 | tie rod end | 48810 82000 | c:12.7 th:FM12X1.25R | | | | | |