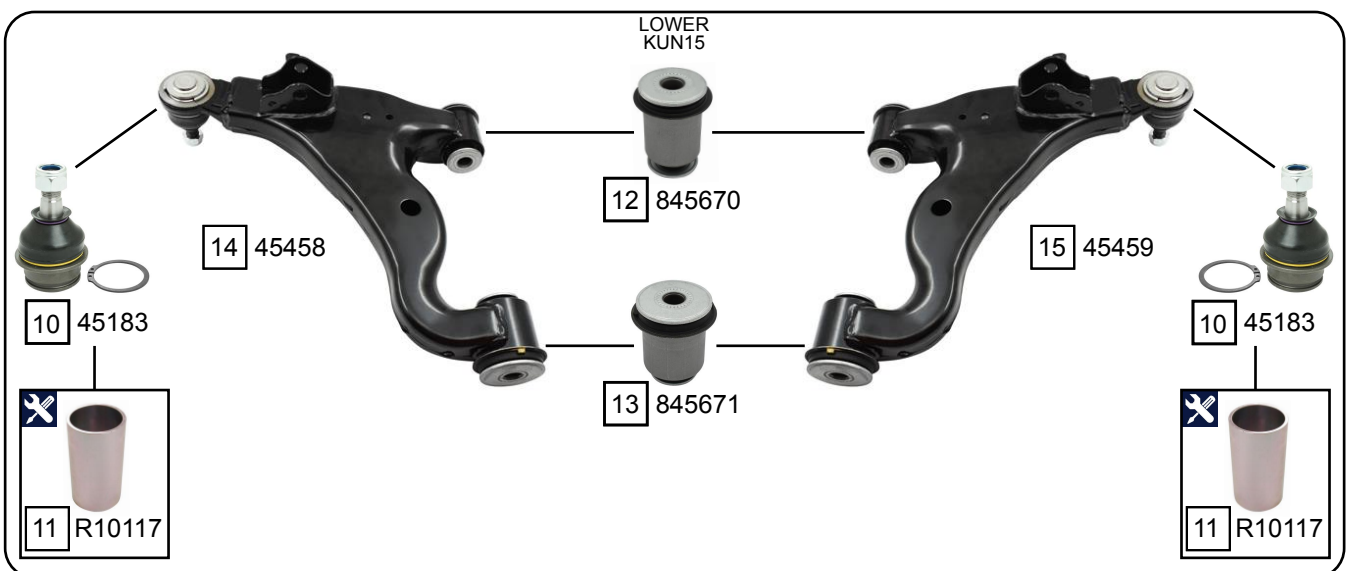
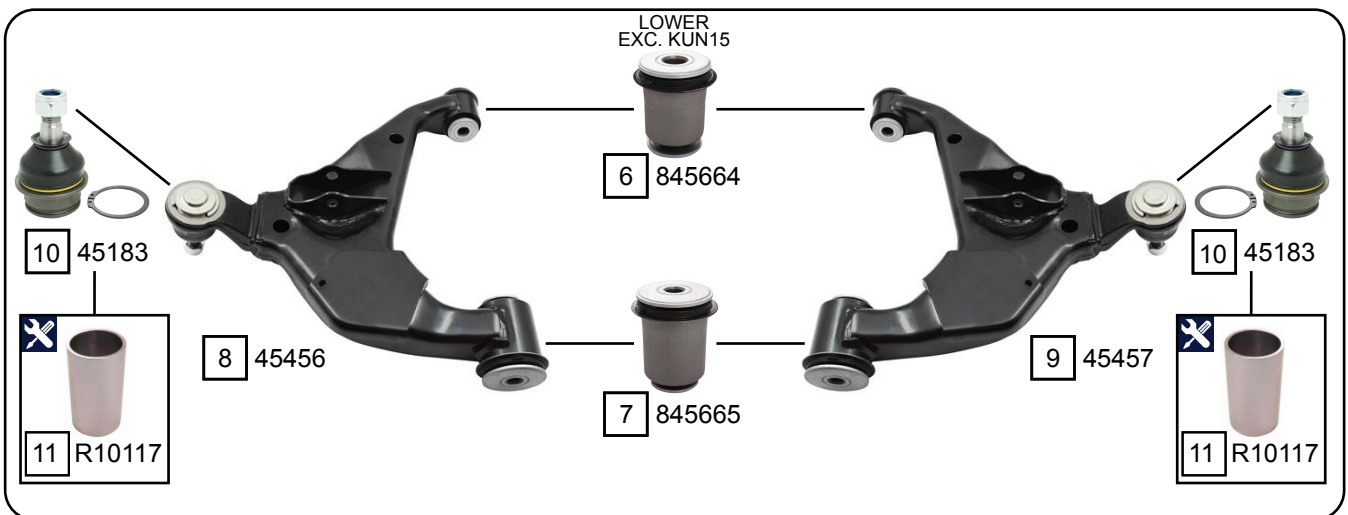
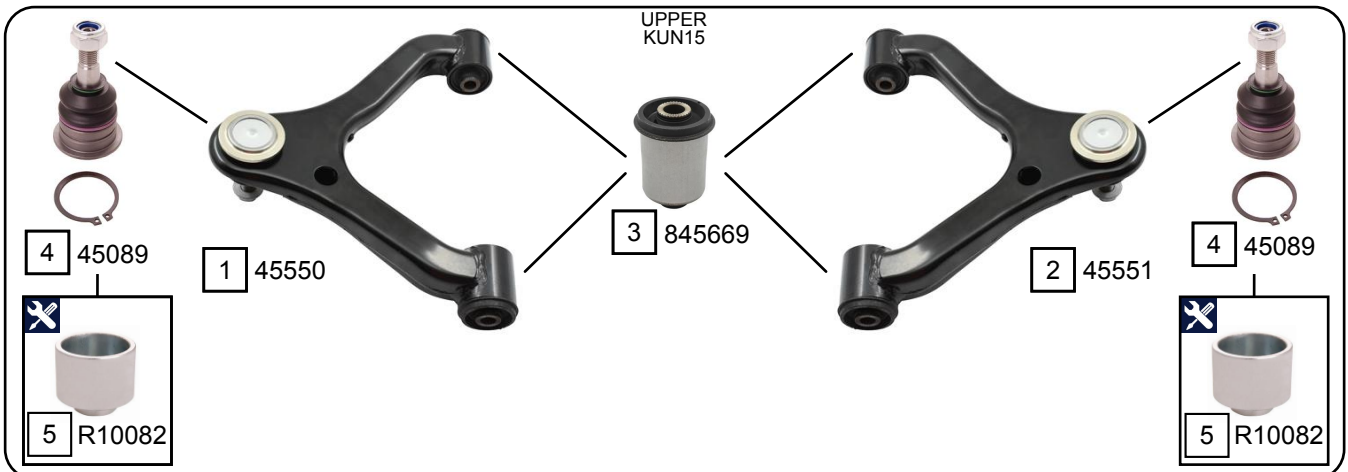


HILUX (KUN1_,KUN2_,KUN3_)

09/2005 - 12/2015



Ref.	Sidem Ref.	Description	OE-number	Measures	Ref.	Sidem Ref.	Description	OE-number	Measures
1	45550	TCA left wbj	48630 0K010	c:15	9	45457	TCA right wbj	48068 0K040	c:16.5
2	45551	TCA right wbj	48610 0K010	c:15	10	45183	ball joint	43330 09510	c:16.5 do:47.3
3	845669	silentblock for TCA	48632 0K010	di:12.5 do:40	11	R10117	mounting tool ring long ø64	TOOL	di:56 do:64
4	45089	ball joint	43310 09015	c:15 do:43.9	12	845670	silentblock for TCA	48654 0K010	di:16.5 do:48.2
5	R10082	mounting tool ring ø52 ø44	TOOL	di:44 do:52	13	845671	silentblock for TCA	48655 0K010	di:16.5 do:56.2
6	845664	silentblock for TCA	48654 0K040	di:14.4 do:48.3	14	45458	TCA left wbj	48069 0K010	c:16.5
7	845665	silentblock for TCA	48655 0K040	di:14.4 do:56.3	15	45459	TCA right wbj	48068 0K010	c:16.5
8	45456	TCA left wbj	48069 0K040	c:16.5					