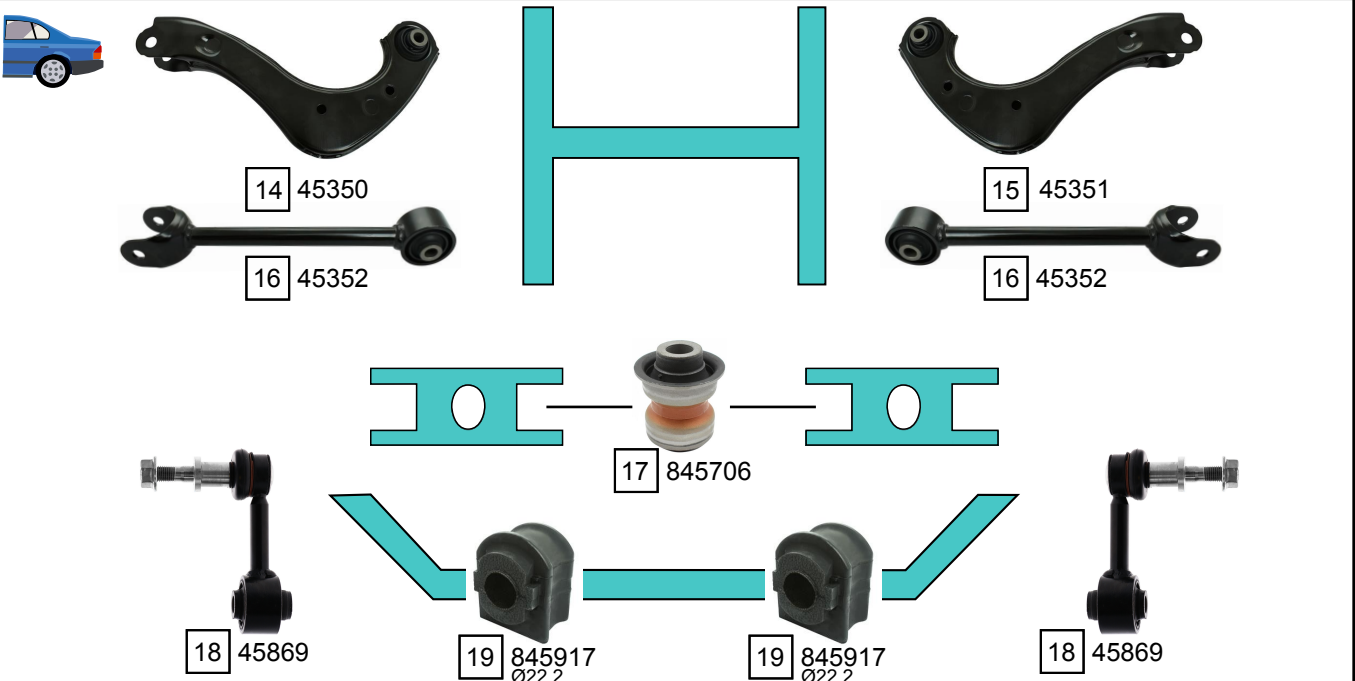
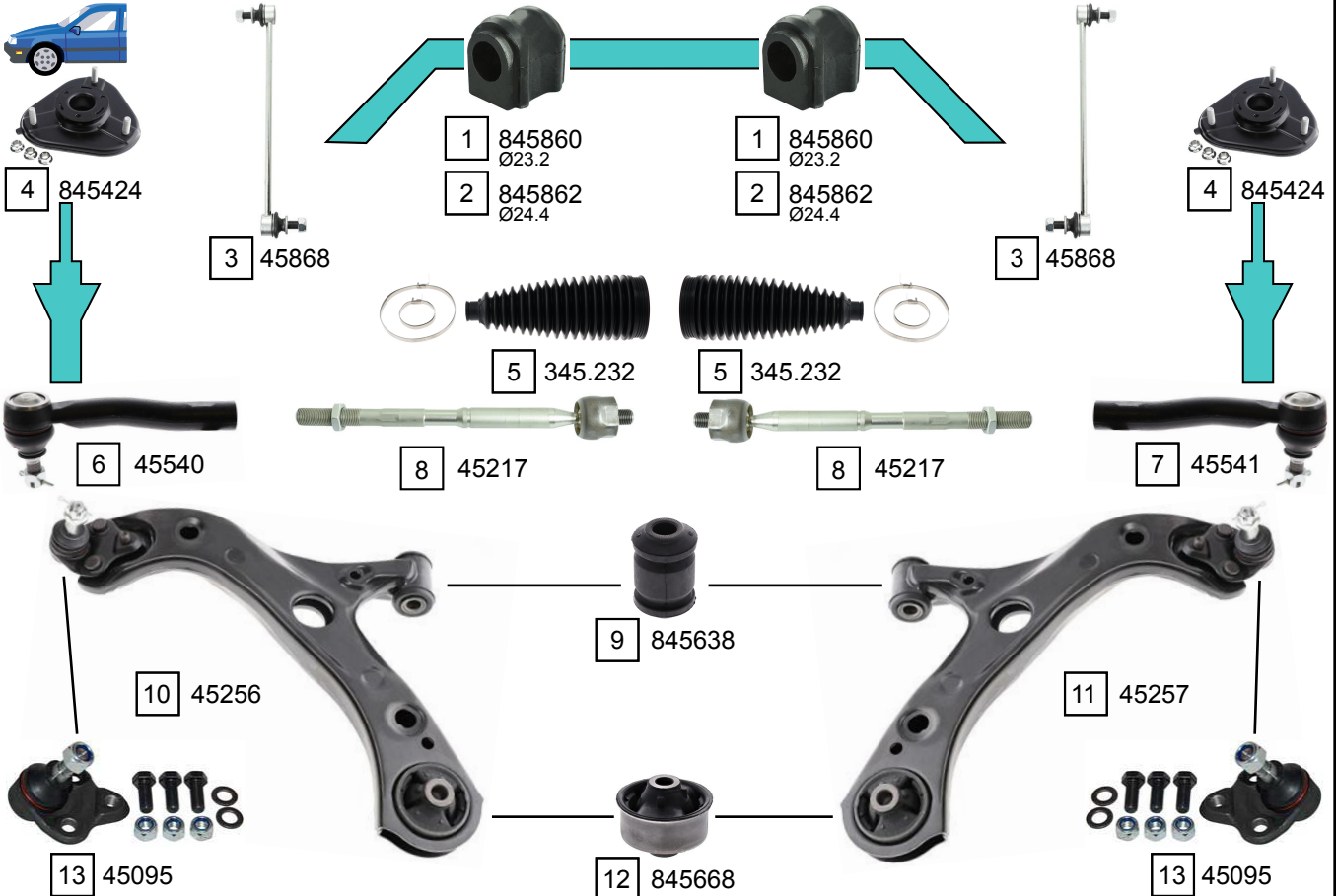


PRIUS (ZVW50)  
PRIUS PHV (ZVW52)

11/2015 ->  
09/2016 ->



| Ref. | Sidem Ref. | Description          | OE-number   | Measures            | Ref. | Sidem Ref. | Description         | OE-number   | Measures        |
|------|------------|----------------------|-------------|---------------------|------|------------|---------------------|-------------|-----------------|
| 1    | 845860     | stabilizer mounting  | 48815 47040 | di:22.6             | 11   | 45257      | TCA right wbj       | 48068 47060 | c:15.3          |
| 2    | 845862     | stabilizer mounting  | 48815 47050 | di:23.5             | 12   | 845668     | silentblock for TCA | Part of     | di:14.3 do:68.2 |
| 3    | 45868      | stabilizer link      | 48820 47040 | L:330               | 13   | 45095      | ball joint          | 43330 19115 | c:15.3          |
| 4    | 845424     | strut mount          | 48609 47060 | di:14.3             | 14   | 45350      | track rod           | 48790 F4010 | L:294           |
| 5    | 345.232    | steering rack gaiter | 45535 F9010 | D:55 d:16 L:174     | 15   | 45351      | track rod           | 48770 F4010 | L:294           |
| 6    | 45540      | tie rod end left     | 45047 F9010 | c:13.6 th:FM16X1.5R | 16   | 45352      | track rod           | 48710 02090 | L:285           |
| 7    | 45541      | tie rod end right    | 45046 F9010 | c:13.6 th:FM16X1.5R | 17   | 845706     | silentblock for TCA | Part of     | di:14.2 do:41   |
| 8    | 45217      | axial joint          | Part of     | th:MM14X1.5R L:279  | 18   | 45869      | stabilizer link     | 48830 47010 | L:92            |
| 9    | 845638     | silentblock for TCA  | Part of     | di:16.2 do:41       | 19   | 845917     | stabilizer mounting | 48818 47010 | di:21.5         |
| 10   | 45256      | TCA left wbj         | 48069 47060 | c:15.3              |      |            |                     |             |                 |