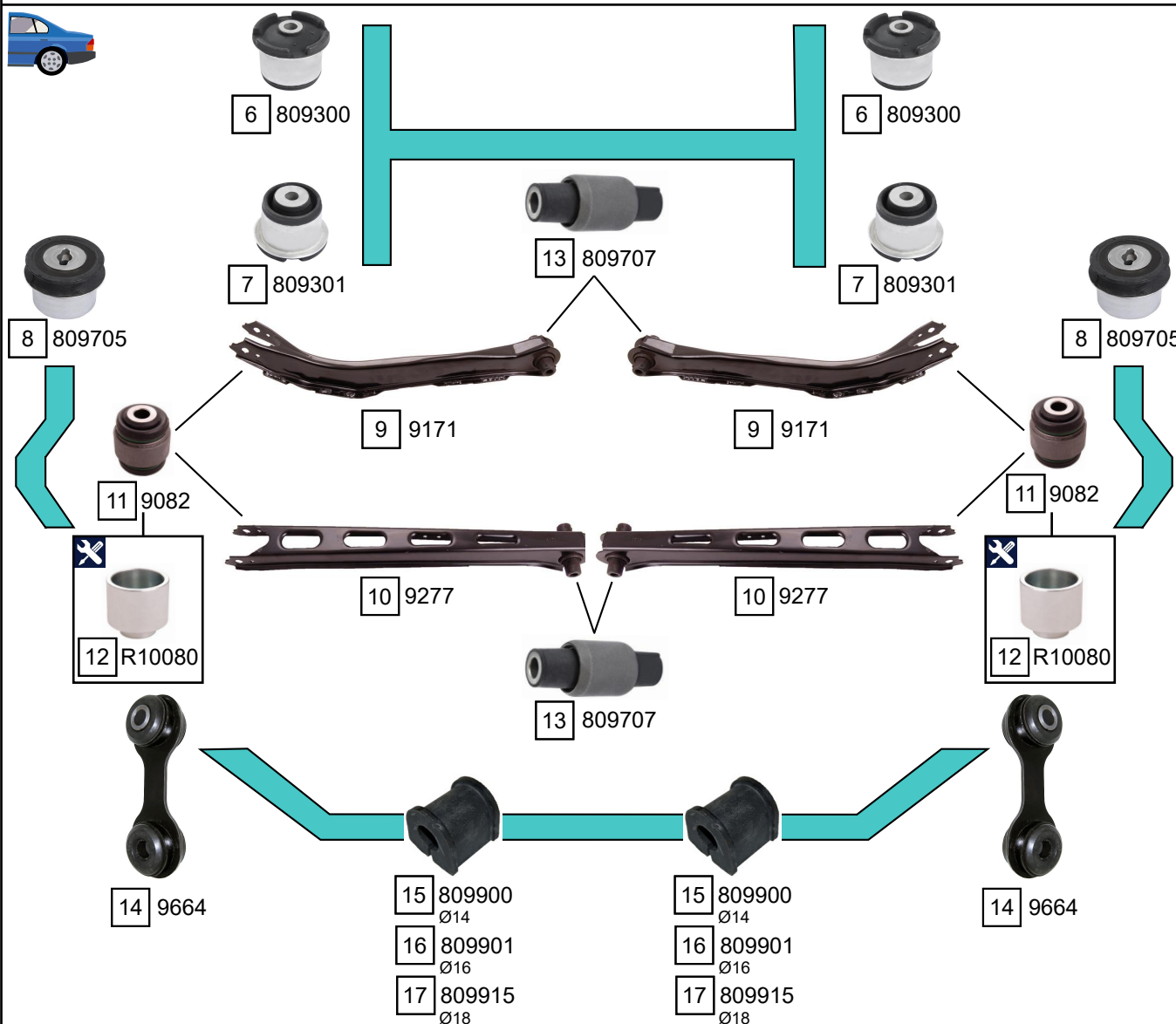
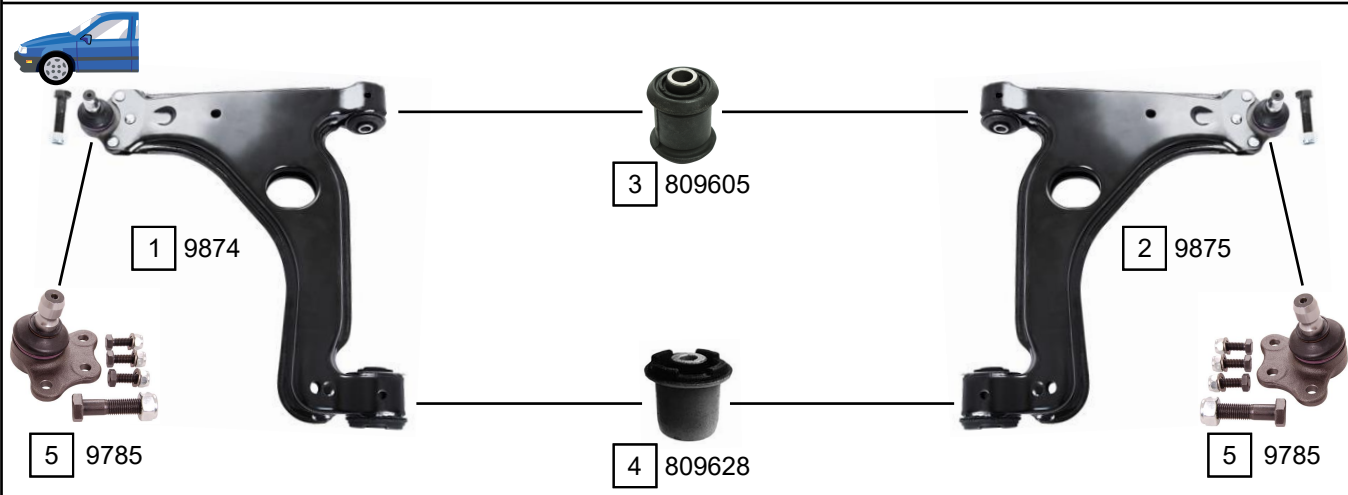


VECTRA B (J96)

10/1995 - 04/2002



Ref.	Sidem Ref.	Description	OE-number	Measures	Ref.	Sidem Ref.	Description	OE-number	Measures
1	9874	TCA left wbj	90 498 735	c:18	10	9277	TCA	90 538 444	L:525
2	9875	TCA right wbj	90 498 736	c:18	11	9082	ball joint rear	90 496 700	di:12 do:45.1
3	809605	silentblock for TCA	90 468 636	di:12.2 do:36	12	R10080	mounting tool ring ø48 ø40	TOOL	di:40 do:48
4	809628	silentblock for TCA	90 468 638	di:12.3 do:47.7	13	809707	silentblock for TCA	90 496 686	di:12 do:35
5	9785	ball joint	90 487 561	c:18	14	9664	stabiliser link rear axle	90 496 711	L:80
6	809300	mounting axle body	90 496 681	di:14 do:66	15	809900	stabiliser mounting	90 373 771	di:14.5
7	809301	mounting axle body	90 496 721	di:14 do:64	16	809901	stabiliser mounting	90 496 706	di:15.5
8	809705	silentblock for TCA	9 191 309	di:13.1 do:60	17	809915	stabiliser mounting	90 497 793	di:16.5
9	9171	TCA	90 538 916	L:523					