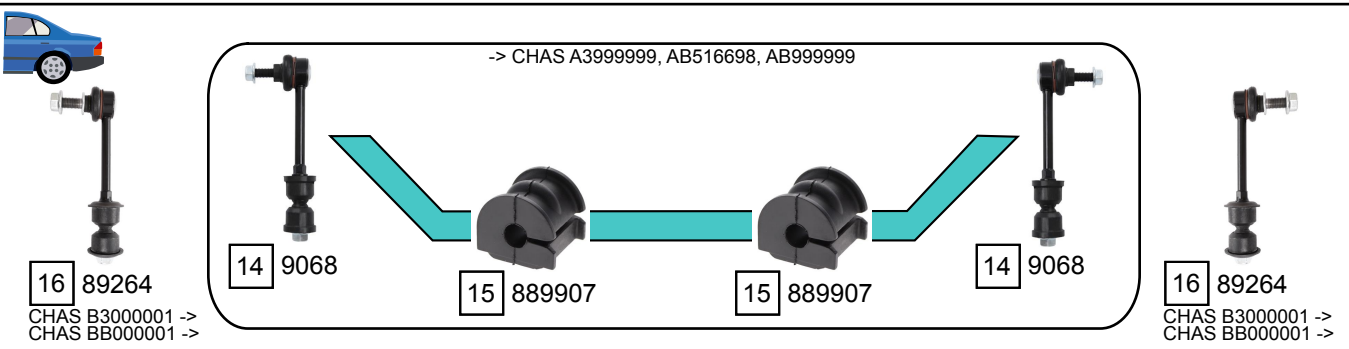
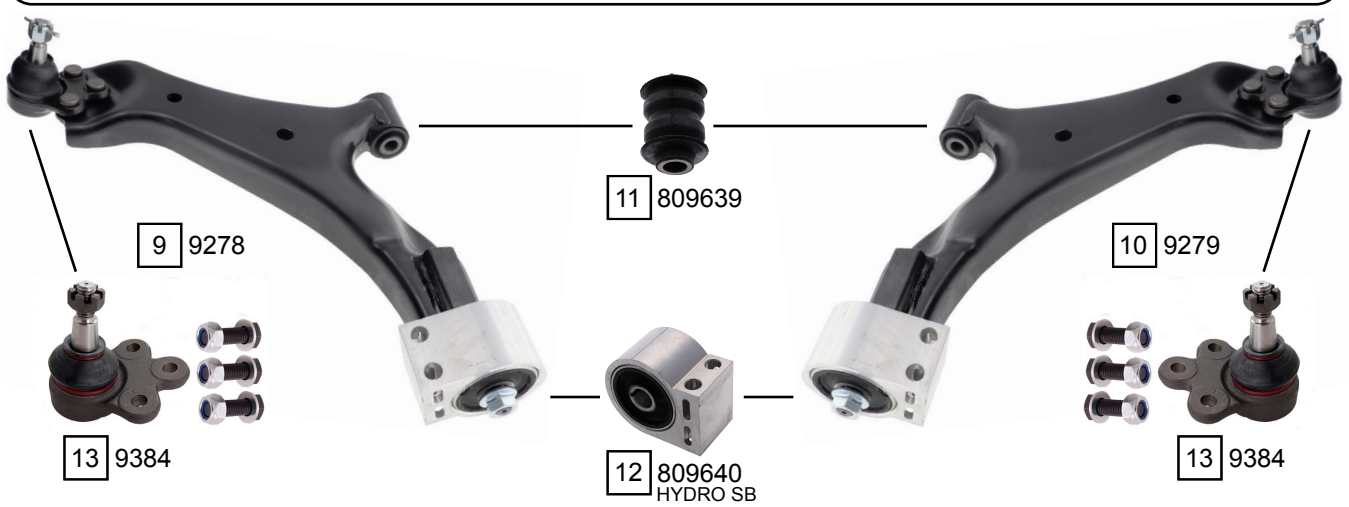
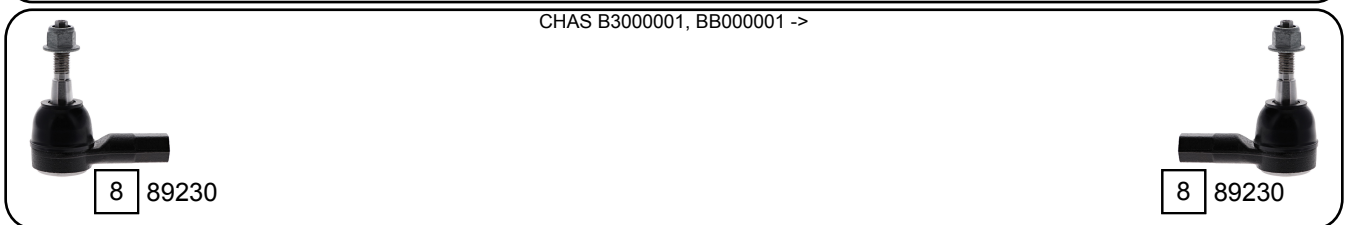
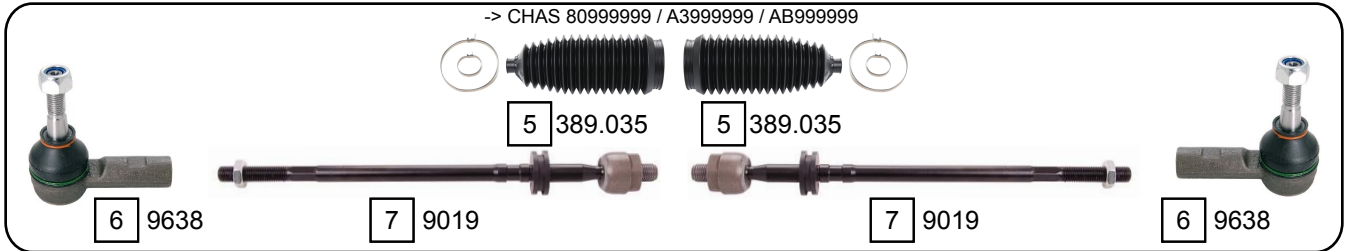
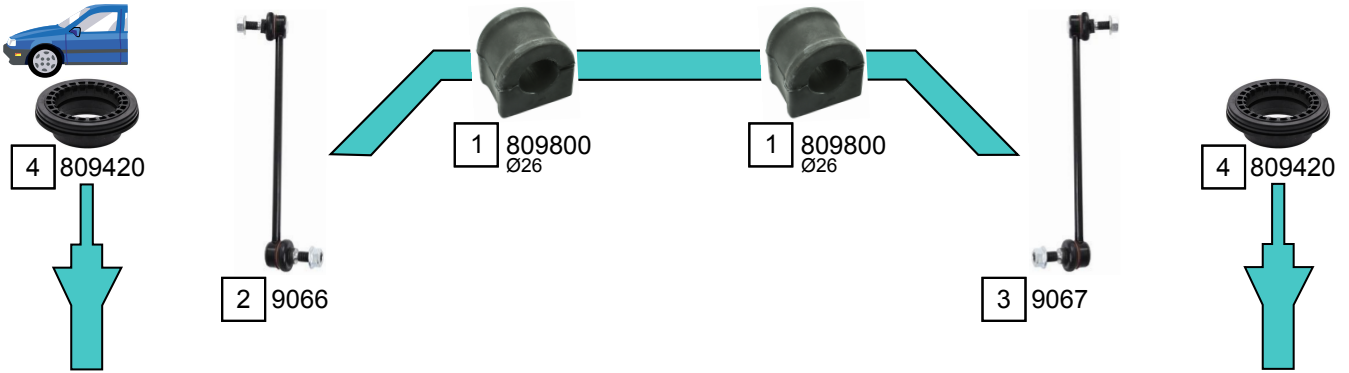


ANTARA (L07)

11/2006 - 04/2015



Ref.	Sidem Ref.	Description	OE-number	Measures	Ref.	Sidem Ref.	Description	OE-number	Measures
1	809800	stabilizer mounting	96 626 251	di:26	9	9278	TCA left wbj	96 819 161	c:15.2
2	9066	stabilizer link left	96 996 450	L:286	10	9279	TCA right wbj	96 819 162	c:15.2
3	9067	stabilizer link right	96 996 451	L:286	11	809639	silentblock for TCA	Part of	di:14.2 do:38
4	809420	bearing	96 626 331	di:69 do:114 L:36.5	12	809640	silentblock for TCA	20 946 159	di:19.4
5	389.035	steering rack gaiter	93 743 434	D:53 d:13 L:185	13	9384	ball joint	Part of	c:15.2
6	9638	tie rod end	96 626 667	c:12.4 th:FM14x1.5R	14	9068	stabilizer link rear axle	96 626 150	L:170
7	9019	axial joint	Part of	th:MM16X1.5R L:360	15	889907	stabilizer mounting	98 810 752	di:14
8	89230	tie rod end	95 940 332	c:13.3 th:FM14X1.5R	16	89264	stabilizer link	22 737 680	L:170