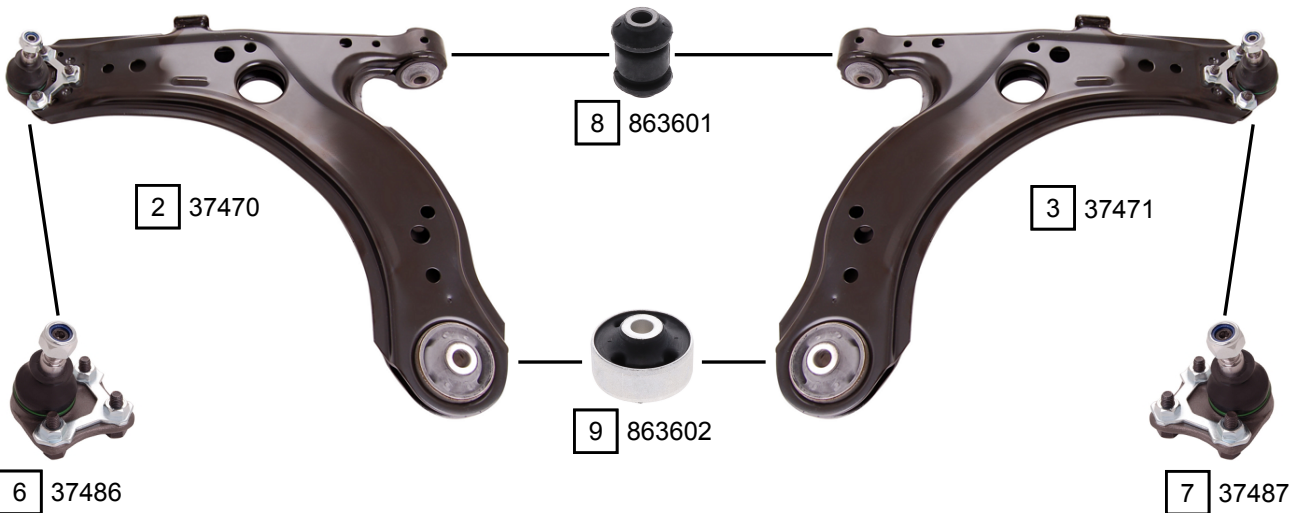
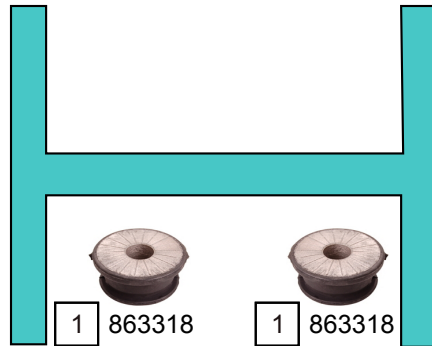


# VOLKSWAGEN

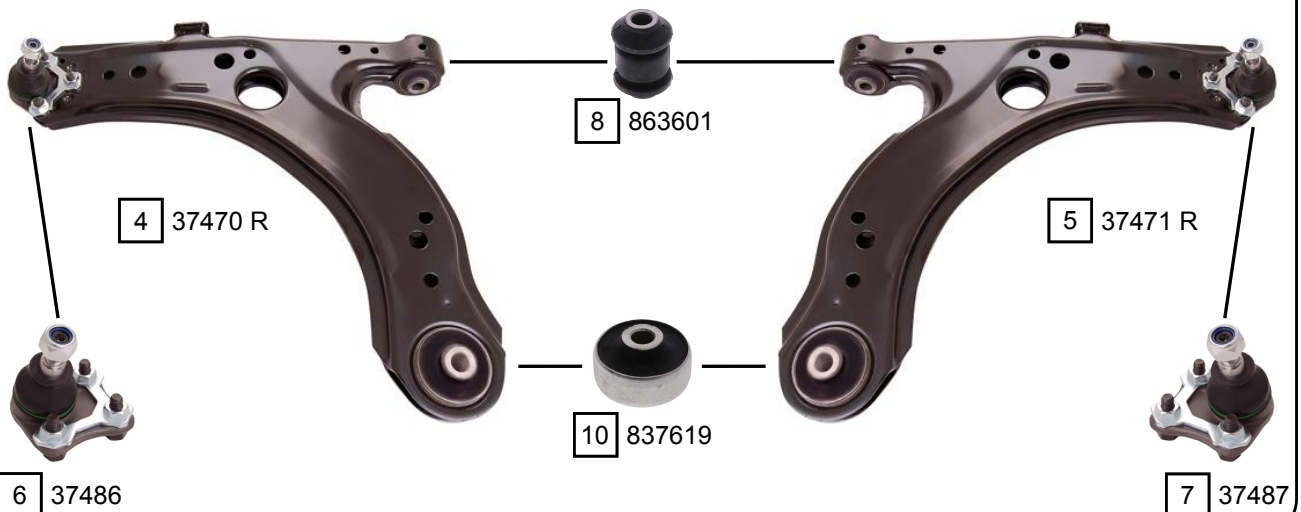
## NEW BEETLE

NEW BEETLE (9C1, 1C1)  
NEW BEETLE CABRIOLET (1Y7)

01/1998 - 09/2010  
03/2003 - 10/2010



REINFORCED - ONLY REPLACE IN PAIRS



Ref.	Sidem Ref.	Description	OE-number	Measures	Ref.	Sidem Ref.	Description	OE-number	Measures
1	863318	mounting axle body	1J0 199 429	di:18.2 do:50.5	6	37486	ball joint left	1J0 407 365 J	c:14.9
2	37470	TCA left wbj	1J0 407 151 C S1	c:14.9	7	37487	ball joint right	1J0 407 366 J	c:14.9
3	37471	TCA right wbj	1J0 407 151 C S2	c:14.9	8	863601	silentblock for TCA	357 407 182	di:12.1 do:33
4	37470 R	TCA left wbj	1J0 407 151 C S1	c:14.9	9	863602	silentblock for TCA	1J0 407 181	di:13 do:60
5	37471 R	TCA right wbj	1J0 407 151 C S2	c:14.9	10	837619	silentblock for TCA	6R0 407 181 B	di:13.2 do:60.2