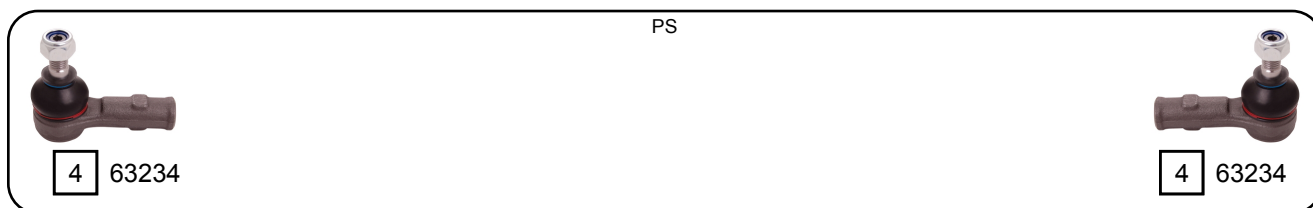
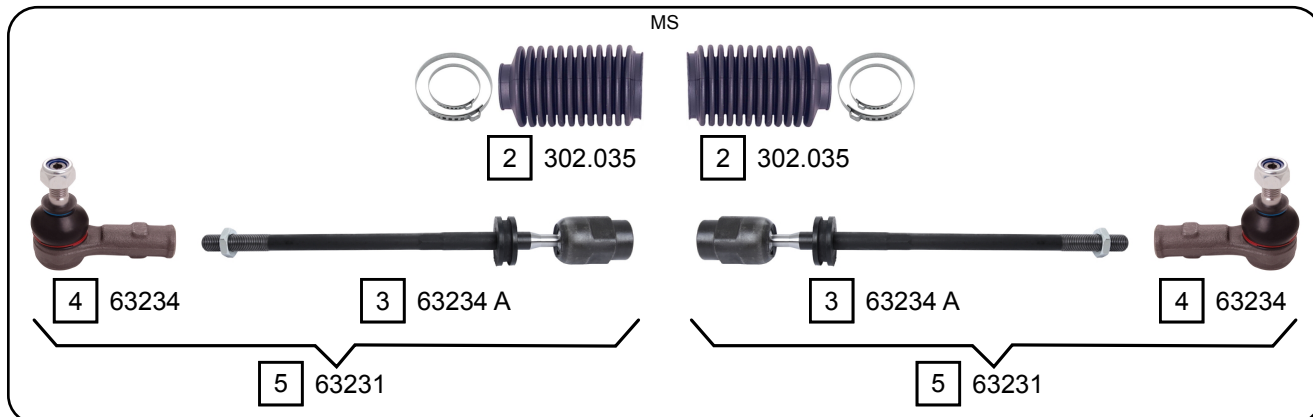
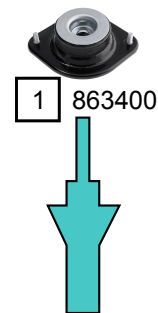
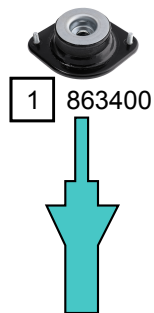


CADDY I (14)

08/1982 - 07/1992



Ref.	Sidem Ref.	Description	OE-number	Measures	Ref.	Sidem Ref.	Description	OE-number	Measures
1	863400	strut mount	171 412 329 A	di:14.2 do:81.5 L:53	5	63231	tie rod	171 419 804	c:12.6
2	302.035	steering rack gaiter	191 419 831	D:41 d:25 L:120	6	63487 A	TCA left wbj	171 407 153 D S1	c:17
3	63234 A	axial joint	Part of	th:FM22X1.5R L:340	7	63487 B	TCA right wbj	171 407 153 D S2	c:17
4	63234	tie rod end	171 419 812	c:12.6 th:FM14x1.5R	8	63188	ball joint lower	171 407 365 G	c:17