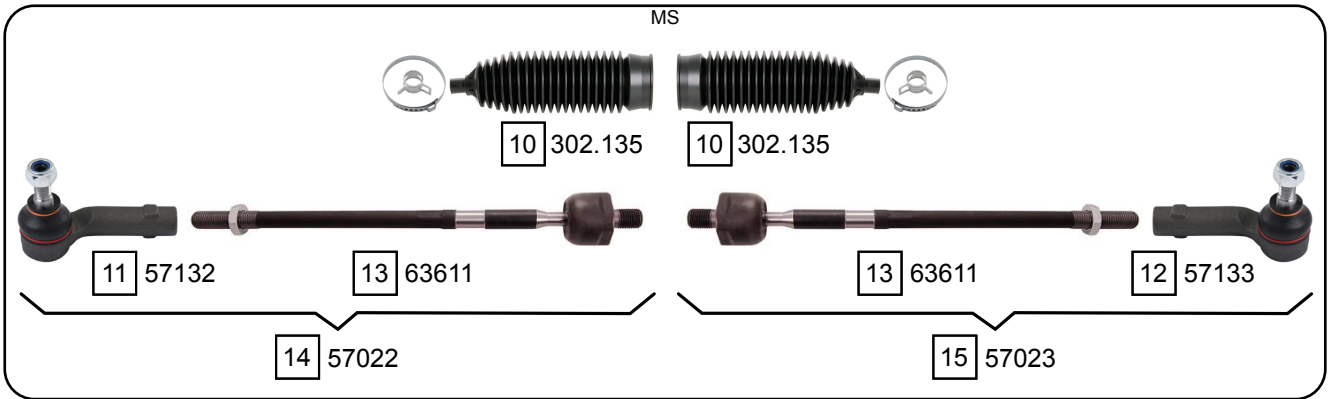
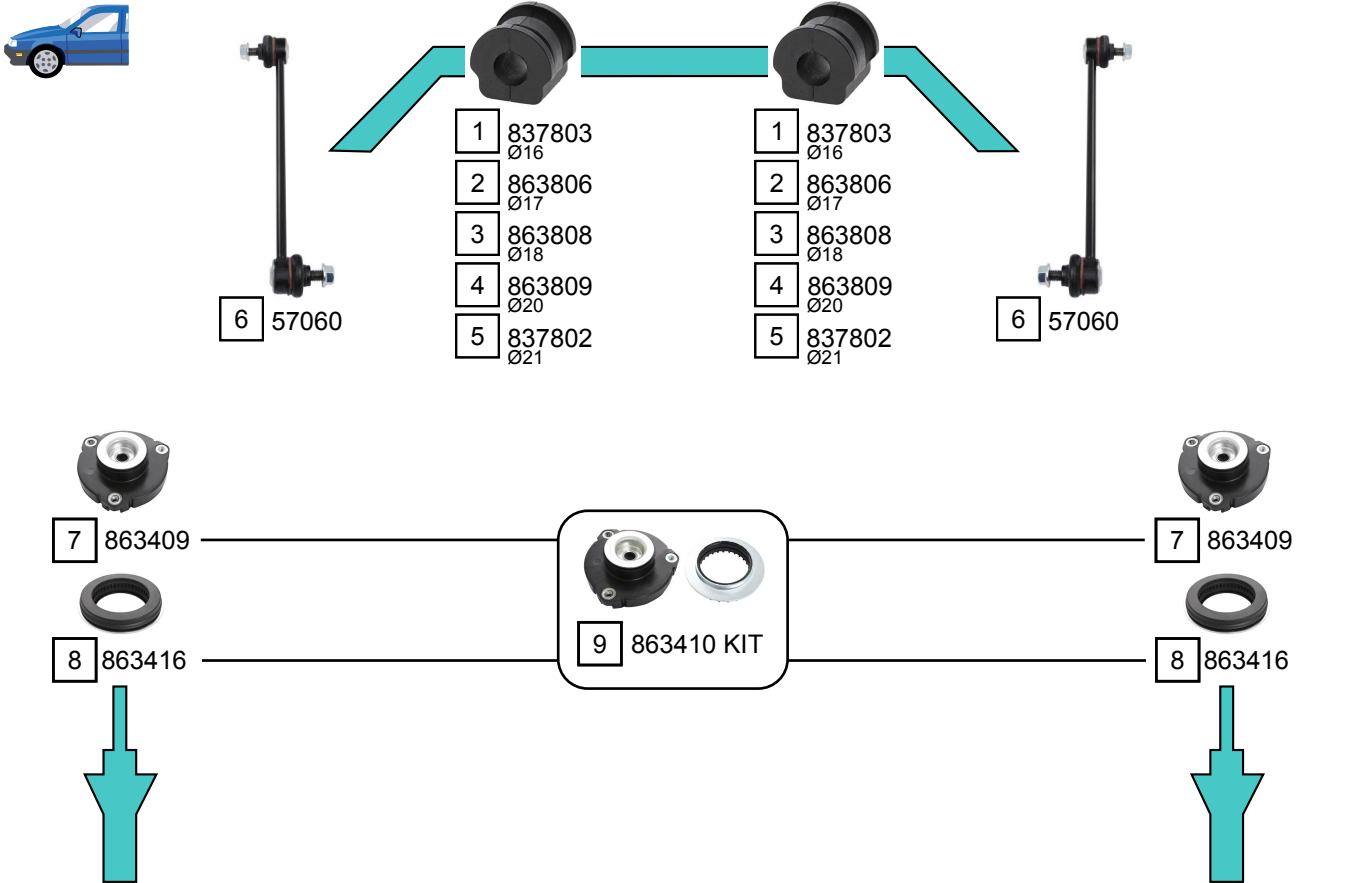


POLO (9N_)

10/2001 - 11/2009



Ref.	Sidem Ref.	Description	OE-number	Measures	Ref.	Sidem Ref.	Description	OE-number	Measures
1	837803	stabilizer mounting	6Q0 411 314 P	di:16	9	863410 KIT	strut mount kit	6N0 412 331 E S2	di:14
2	863806	stabilizer mounting	6Q0 411 314 Q	di:17	10	302.135	steering rack gaiter	6E0 419 831	D:48 d:12 L:200
3	863808	stabilizer mounting	6Q0 411 314 R	di:18	11	57132	tie rod end left	6R0 423 811	c:13.4 th:FM14x1.5R
4	863809	stabilizer mounting	6Q0 411 314 F	di:19.6	12	57133	tie rod end right	6R0 423 812	c:13.4 th:FM14x1.5R
5	837802	stabilizer mounting	8Z0 411 314 B	di:20.8	13	63611	axial joint	Part of	th:MM14X1.5R L:319
6	57060	stabilizer link	6R0 411 315	L:270	14	57022	tie rod left	6Q0 419 803 F	c:13.4
7	863409	strut mount	6N0 412 331 E	di:14.3 do:66 L:49	15	57023	tie rod right	6Q0 419 804 F	c:13.4
8	863416	bearing	1K0 412 249 B	di:68.5 do:112 L:25.5					