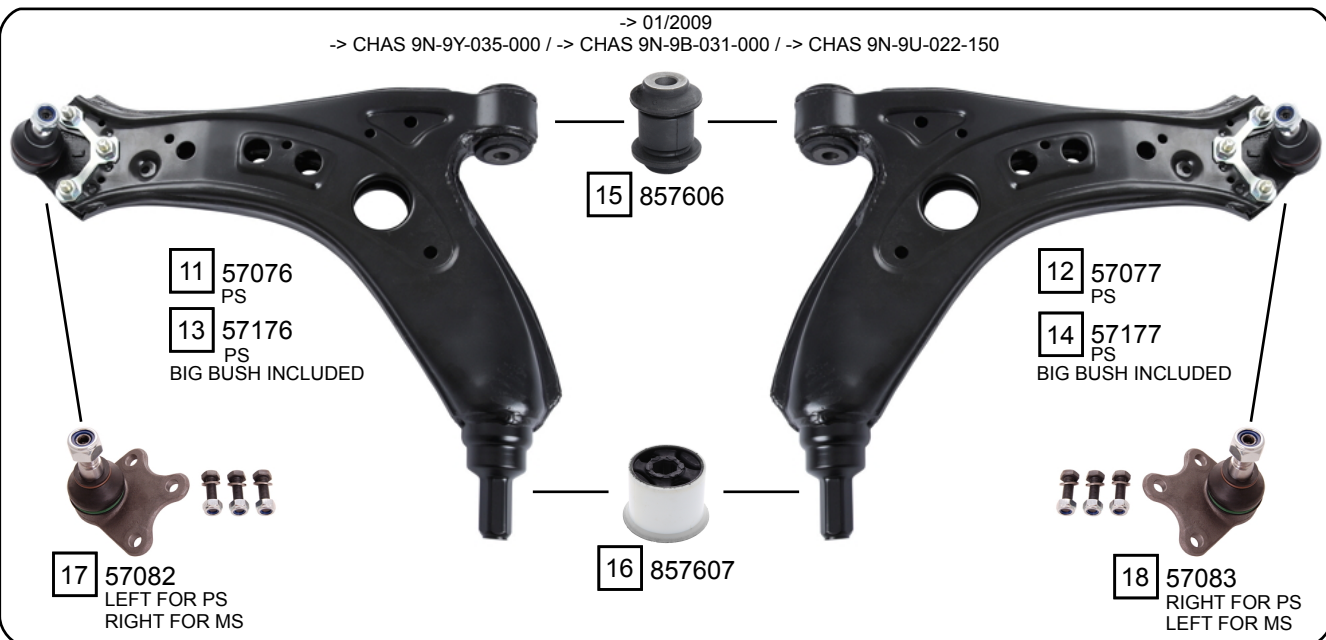
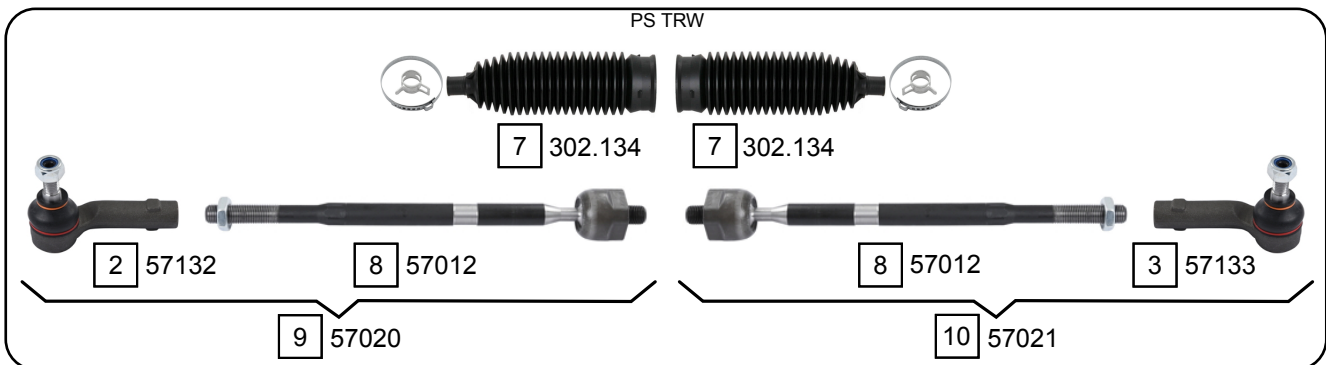
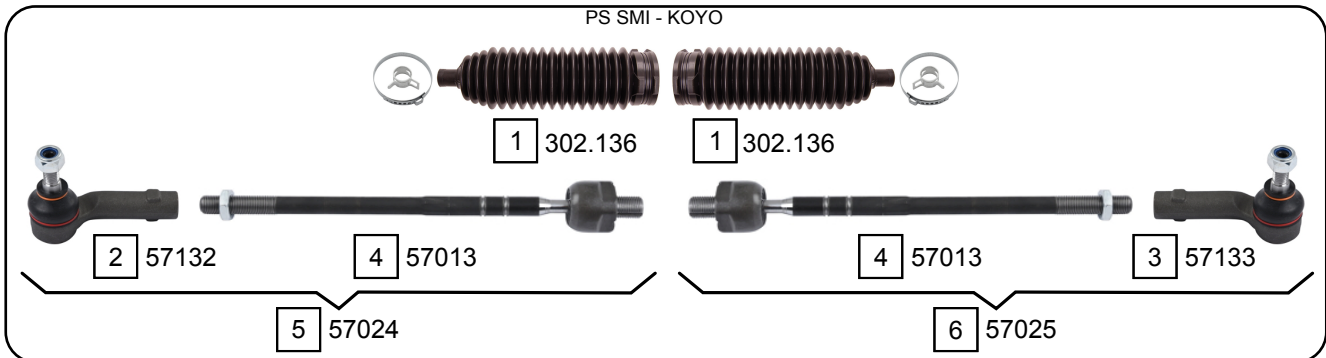


POLO (9N_)

10/2001 - 11/2009



Ref.	Sidem Ref.	Description	OE-number	Measures	Ref.	Sidem Ref.	Description	OE-number	Measures
1	302.136	steering rack gaiter	6Q0 423 831 A	D:46 d:13 L:210	10	57021	tie rod right	6Q0 423 804 P	c:13.4
2	57132	tie rod end left	6R0 423 811	c:13.4 th:FM14x1.5R	11	57076	TCA left wbj	6Q0 407 151 L S1	c:14.8
3	57133	tie rod end right	6R0 423 812	c:13.4 th:FM14x1.5R	12	57077	TCA right wbj	6Q0 407 151 L S2	c:14.8
4	57013	axial joint	6Q0 423 810 C	th:MM16x1.5R L:300	13	57176	TCA left wbj	6Q0 407 151 L S3	c:14.8
5	57024	tie rod left	6Q0 423 803 G	c:13.4	14	57177	TCA right wbj	6Q0 407 151 L S4	c:14.8
6	57025	tie rod right	6Q0 423 804 G	c:13.4	15	857606	silentblock for TCA	6Q0 407 182 A	di:12.1 do:33
7	302.134	steering rack gaiter	6Q0 423 831 D	D:48 d:14 L:205	16	857607	silentblock for TCA	1K0 407 183 E	di:18.5 do:63.5
8	57012	axial joint	Part of	th:MM14X1.5R L:297	17	57082	ball joint	6Q0 407 365 A	c:14.8
9	57020	tie rod left	6Q0 423 803 P	c:13.4	18	57083	ball joint	6Q0 407 366 A	c:14.8