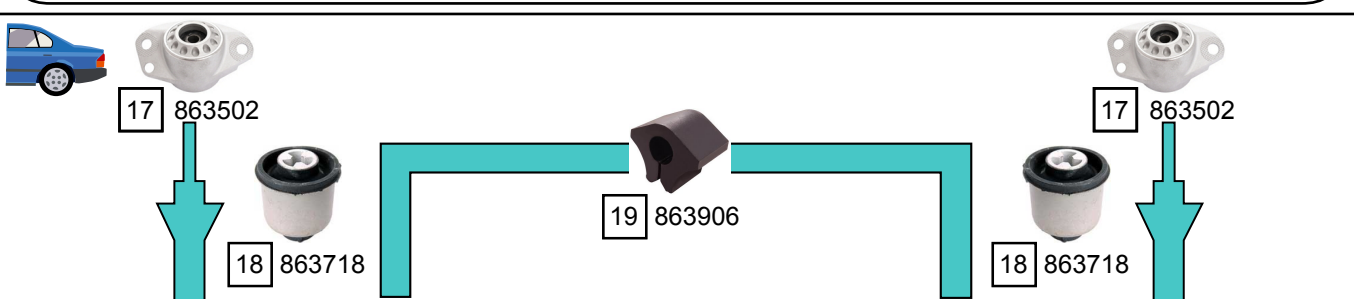
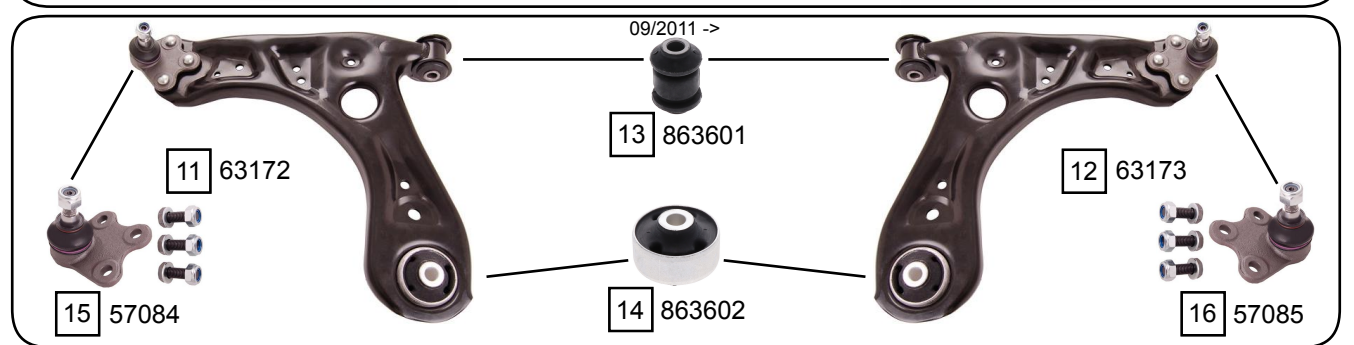
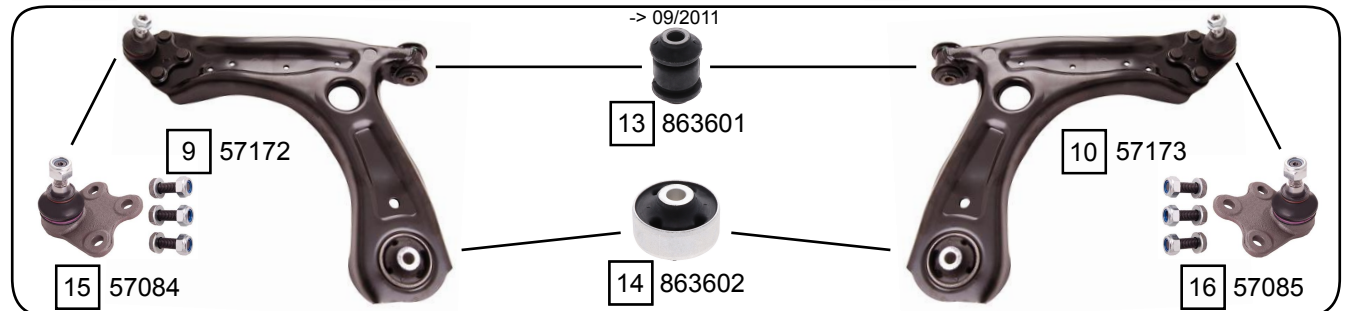
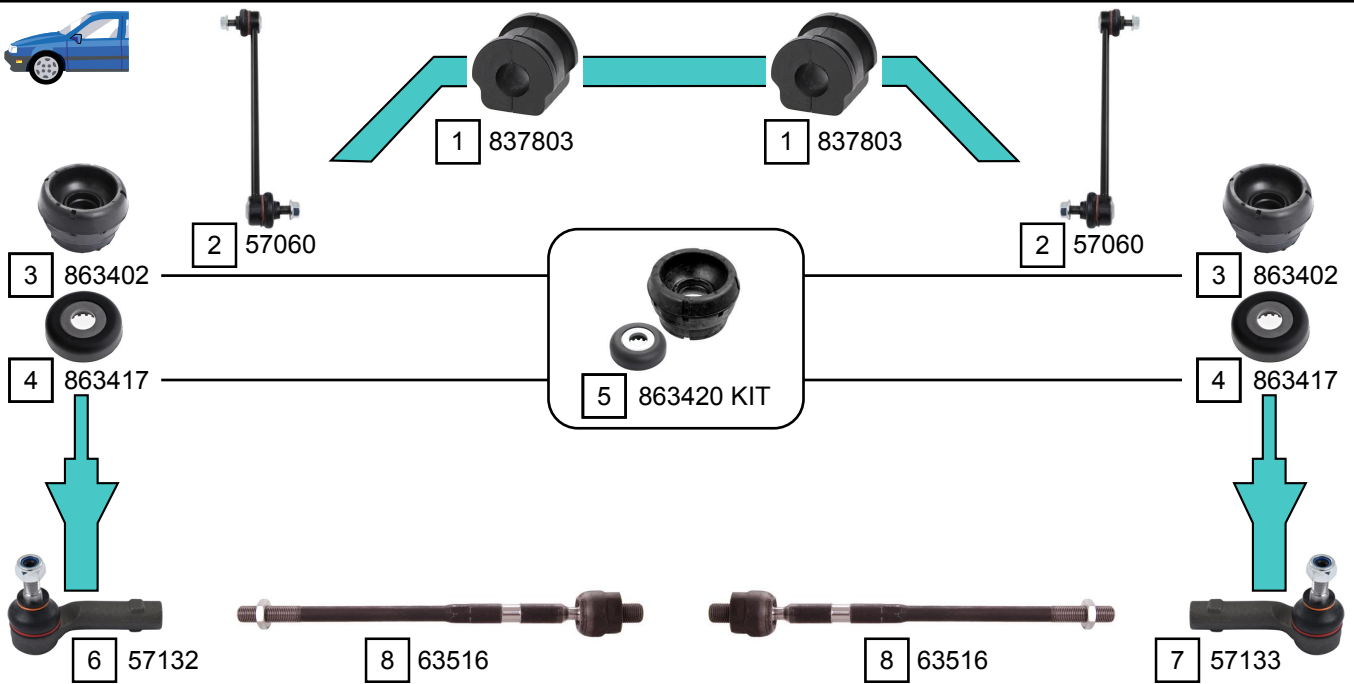


POLO SEDAN (61_)

05/2010 - 03/2020



| Ref. | Sidem Ref. | Description | OE-number | Measures | Ref. | Sidem Ref. | Description | OE-number | Measures |
|------|------------|---------------------|------------------|------------------------|------|------------|---------------------|---------------|----------------------|
| 1 | 837803 | stabilizer mounting | 6Q0 411 314 P | di:16 | 11 | 63172 | TCA left wbj | 6RF 407 151 B | c:15 |
| 2 | 57060 | stabilizer link | 6R0 411 315 | L:270 | 12 | 63173 | TCA right wbj | 6RF 407 152 B | c:15 |
| 3 | 863402 | strut mount | 1J0 412 331 C | di:26 do:82 L:53 | 13 | 863601 | silentblock for TCA | 357 407 182 | di:12.1 do:33 |
| 4 | 863417 | bearing | 1J0 412 249 | di:14.3 do:45.3 L:13.4 | 14 | 863602 | silentblock for TCA | 1J0 407 181 | di:13 do:60 |
| 5 | 863420 KIT | strut mount kit | 1J0 412 331 C S1 | di:26 do:82 L:53 | 15 | 57084 | ball joint left | 6R0 407 365 A | c:14.9 |
| 6 | 57132 | tie rod end left | 6R0 423 811 | c:13.4 th:FM14x1.5R | 16 | 57085 | ball joint right | 6R0 407 366 A | c:14.9 |
| 7 | 57133 | tie rod end right | 6R0 423 812 | c:13.4 th:FM14x1.5R | 17 | 863502 | strut mount | 6R0 513 353 | di:11.1 do:62 L:58.8 |
| 8 | 63516 | axial joint | 6RU 423 810 | th:MM16X1.5R L:312 | 18 | 863718 | mounting axle body | 6R0 501 541 A | di:13 do:71.6 |
| 9 | 57172 | TCA left wbj | 6R0 407 151 F | c:14.9 | 19 | 863906 | stabilizer mounting | 871 511 423 | di:16.5 |
| 10 | 57173 | TCA right wbj | 6R0 407 152 F | c:14.9 | | | | | |