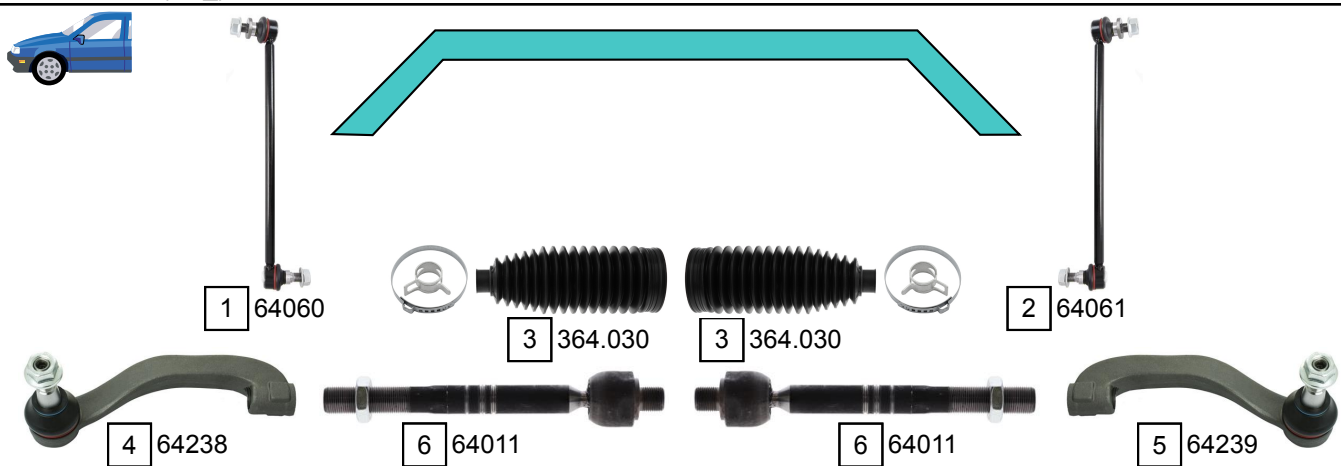


CRAFTER (SY_,SX_,SZ_)
e-CRAFTER (SX_)

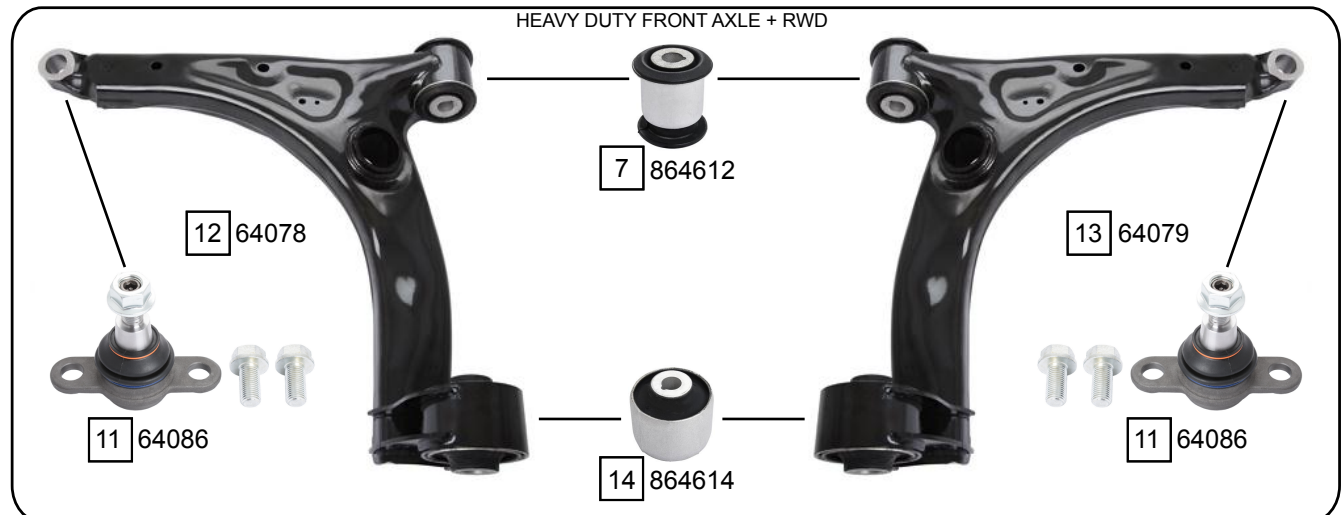
09/2016 ->
07/2018 ->



STANDARD FRONT AXLE & BEV



HEAVY DUTY FRONT AXLE + RWD



Ref.	Sidem Ref.	Description	OE-number	Measures	Ref.	Sidem Ref.	Description	OE-number	Measures
1	64060	stabilizer link left	2N0 411 317 D	L:380	8	64076	TCA left wobj	2N0 407 151 J	c:20.9 L:411
2	64061	stabilizer link right	2N0 411 318 B	L:380	9	64077	TCA right wobj	2N0 407 152 J	c:20.9 L:411
3	364.030	steering rack gaiter	2N0 423 831	D:63 d:20 L:188	10	864613	silentblock for TCA	2N0 407 182 C	di:16.2 do:70
4	64238	tie rod end left	2N0 423 811	c:16.2 th:FM20X1.5R	11	64086	ball joint	2N0 407 361 A	c:21.2
5	64239	tie rod end right	2N0 423 812	c:15.5 th:FM20X1.5R	12	64078	TCA left wobj	2N0 407 151 H	c:20.9 L:411
6	64011	axial joint	2N0 423 810	th:MM18X1.5R L:224	13	64079	TCA right wobj	2N0 407 152 H	c:20.9 L:411
7	864612	silentblock for TCA	2N0 407 183 A	di:16.2 do:50.1	14	864614	silentblock for TCA	2N0 407 182 B	di:16.2 do:70