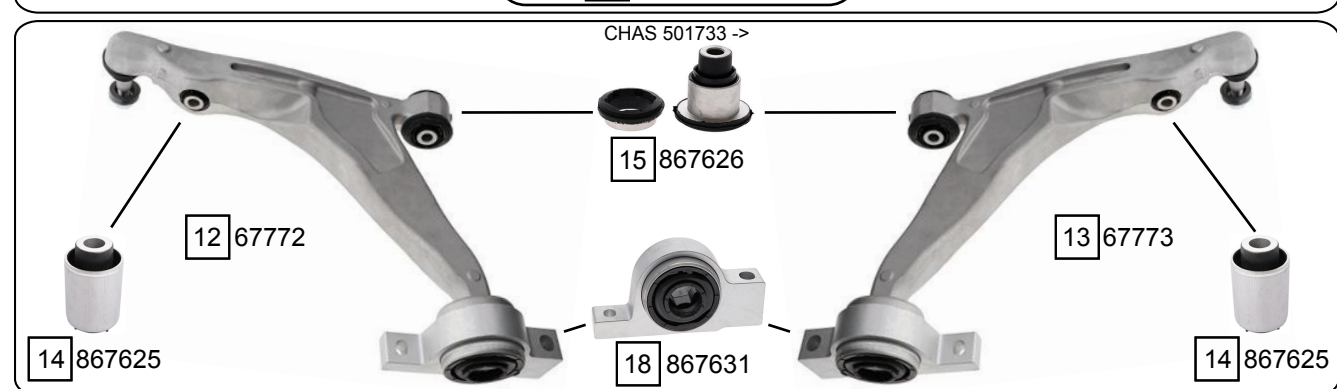
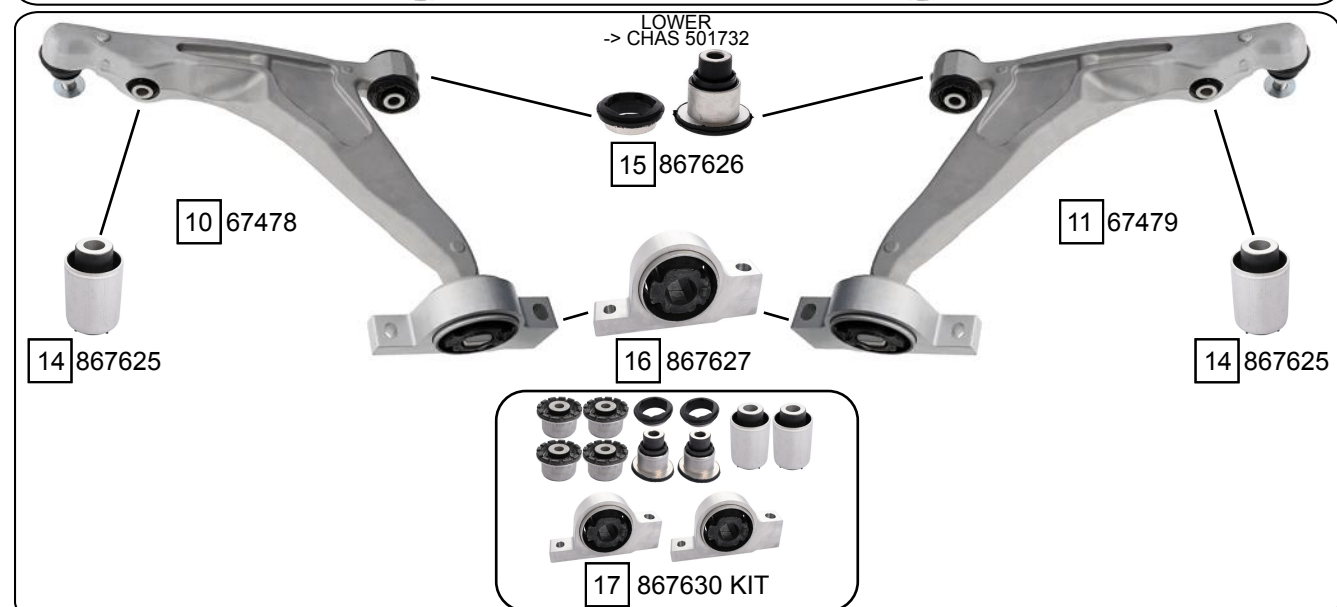
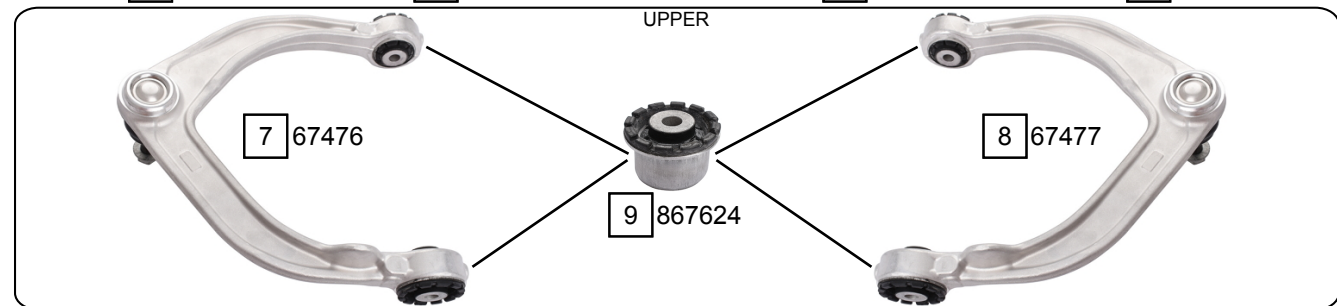
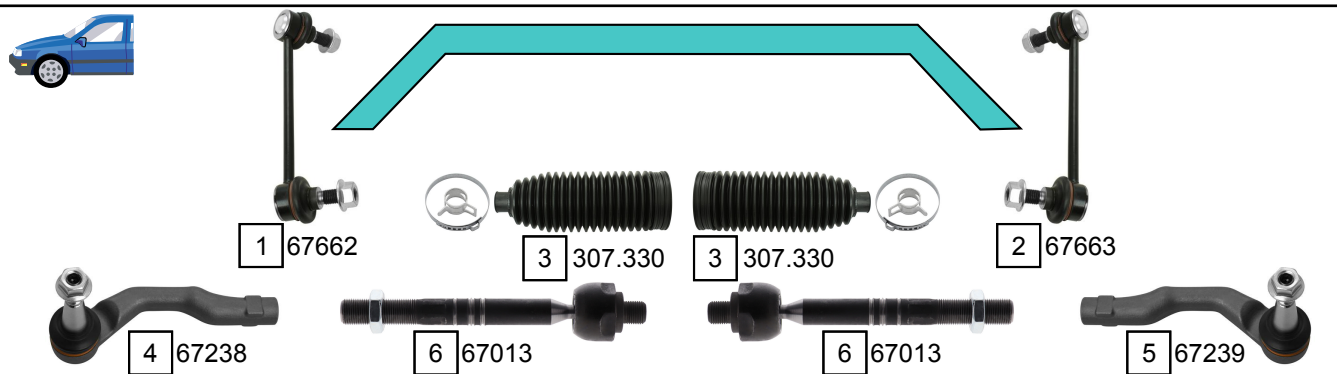


XC90 II

09/2014 ->



Ref.	Sidem Ref.	Description	OE-number	Measures	Ref.	Sidem Ref.	Description	OE-number	Measures
1	67662	stabilizer link left	31 406 873	L:180	10	67478	TCA left wbj	31 360 644	c:19.3
2	67663	stabilizer link right	31 406 874	L:180	11	67479	TCA right wbj	31 360 651	c:19.3
3	307.330	steering rack gaiter	31 429 233	D:56 d:18 L:195	12	67772	TCA left wbj	32 246 811	c:19.3
4	67238	tie rod end left	31 476 415	c:13.6 th:FM18X1.5R	13	67773	TCA right wbj	32 246 810	c:19.3
5	67239	tie rod end right	31 476 416	c:13.6 th:FM18X1.5R	14	867625	silentblock for TCA	31 360 646	di:14.1 do:40.1
6	67013	axial joint	Part of	th:MM16X1.5R L:192	15	867626	silentblock for TCA	31 451 003	di:14.1 do:44.1
7	67476	TCA left wbj	31 360 630	c:13.8	16	867627	silentblock for TCA	31 451 032	di:27 do:79.5
8	67477	TCA right wbj	31 360 633	c:13.8	17	867630 KIT	silentblock kit	31 451 032 S1	
9	867624	silentblock for TCA	Part of	di:10 do:40	18	867631	silentblock for TCA	32 246 809	di:27 do:80