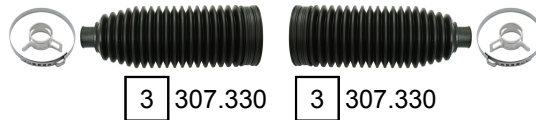
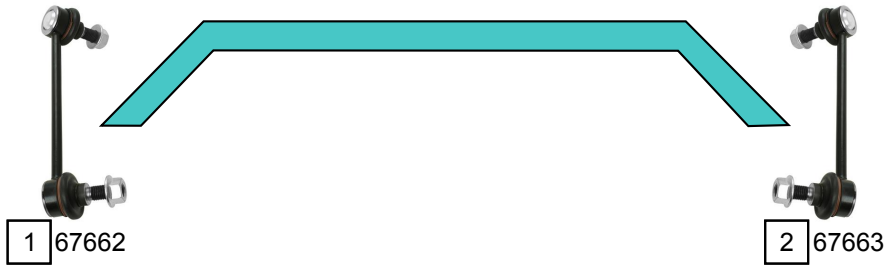
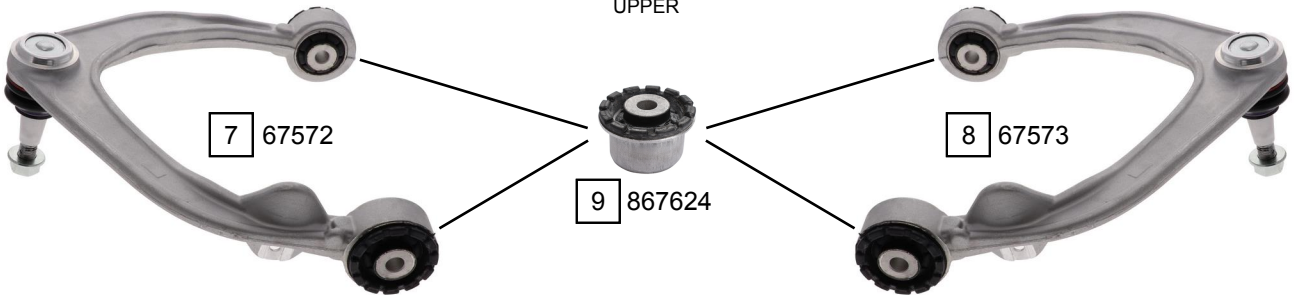


V60 II CROSS COUNTRY

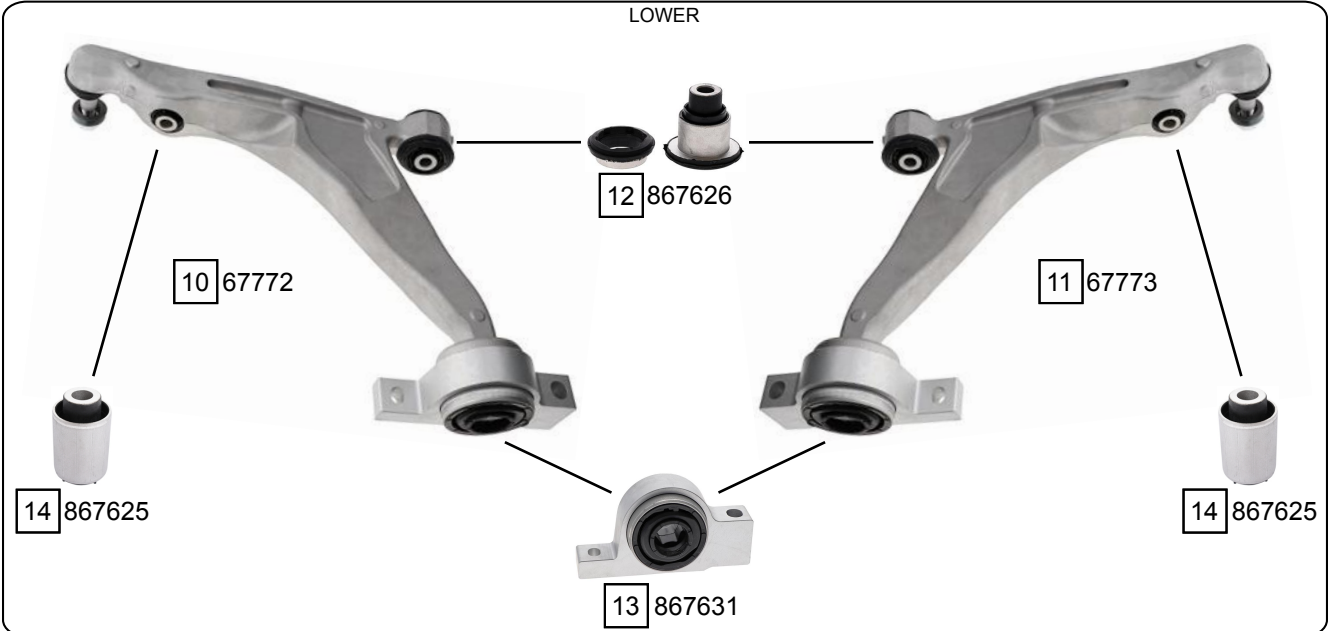
10/2018 ->



UPPER



LOWER



Ref.	Sidem Ref.	Description	OE-number	Measures	Ref.	Sidem Ref.	Description	OE-number	Measures
1	67662	stabilizer link left	31 406 873	L:180	8	67573	TCA right wbj	31 360 837	c:14
2	67663	stabilizer link right	31 406 874	L:180	9	867624	silentblock for TCA	Part of	di:10 do:40
3	307.330	steering rack gaiter	31 429 233	D:56 d:18 L:195	10	67772	TCA left wbj	32 246 811	c:19.3
4	67238	tie rod end left	31 476 415	c:13.6 th:FM18X1.5R	11	67773	TCA right wbj	32 246 810	c:19.3
5	67239	tie rod end right	31 476 416	c:13.6 th:FM18X1.5R	12	867626	silentblock for TCA	31 451 003	di:14.1 do:44.1
6	67013	axial joint	Part of	th:MM16X1.5R L:192	13	867631	silentblock for TCA	32 246 809	di:27 do:80
7	67572	TCA left wbj	31 360 836	c:14	14	867625	silentblock for TCA	31 360 646	di:14.1 do:40.1