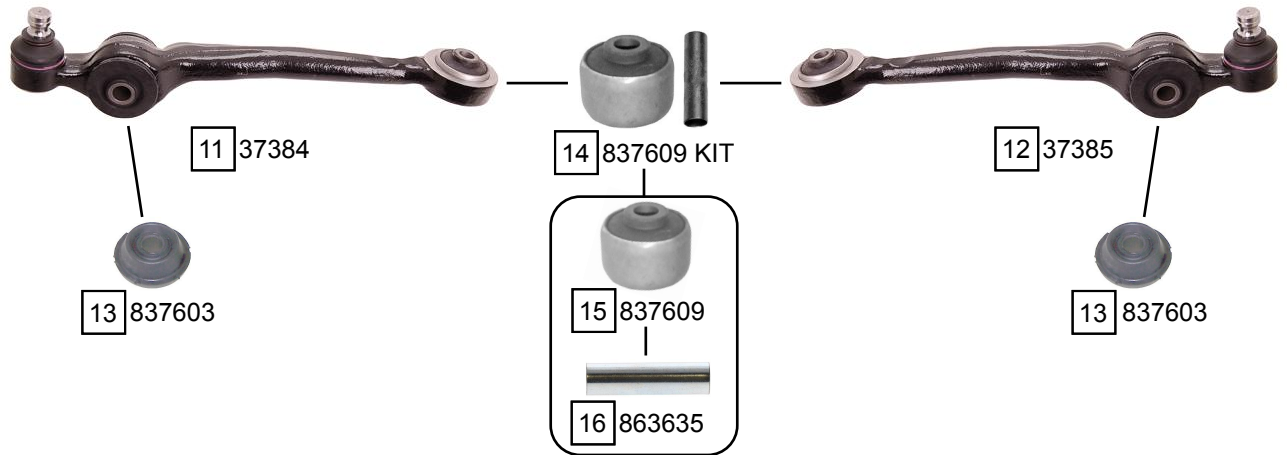
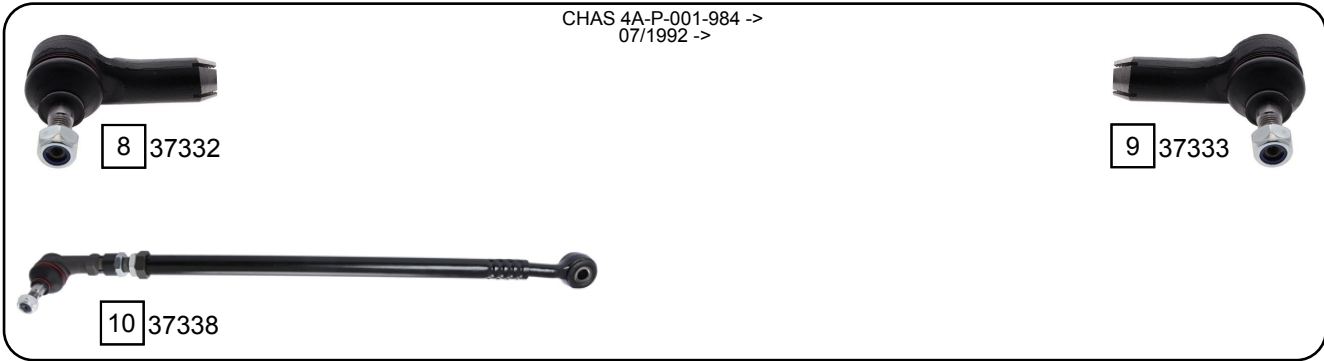
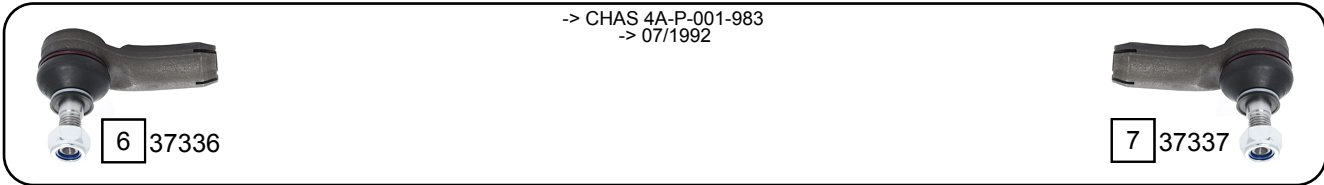
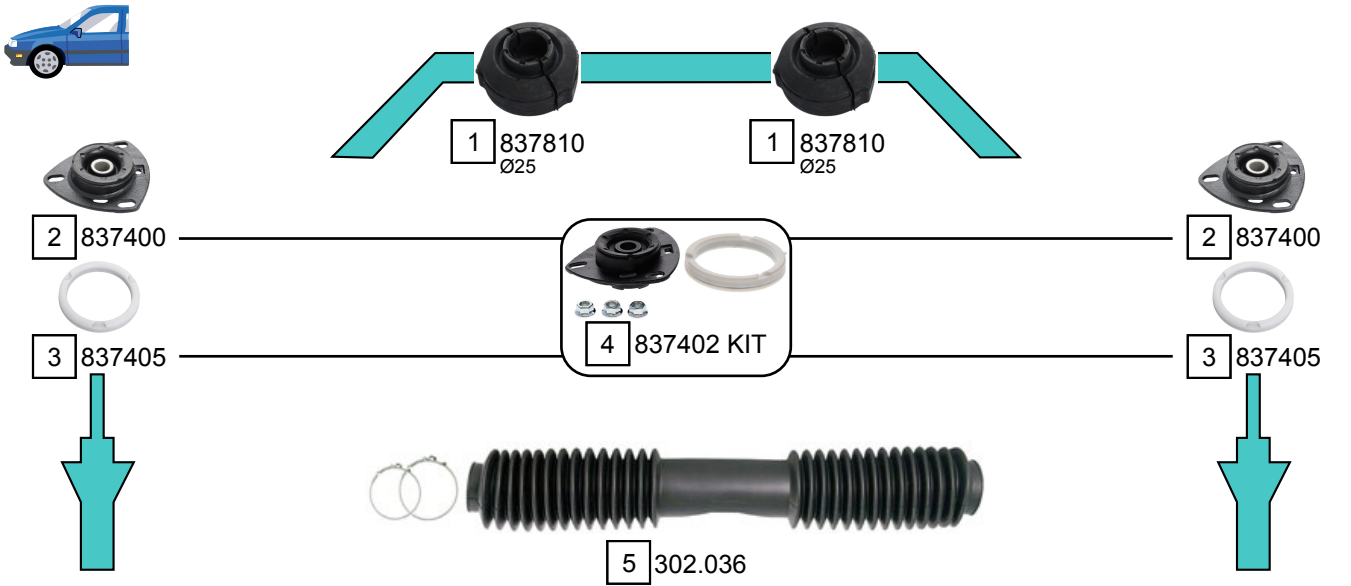


100 (4A-C4)
100 AVANT (4A-C4)
100 QUATTRO

12/1990 - 07/1994
12/1990 - 11/1994
12/1990 - 11/1994



Ref.	Sidem Ref.	Description	OE-number	Measures	Ref.	Sidem Ref.	Description	OE-number	Measures
1	837810	stabiliser mounting	4A0 411 327 A	di:24.5	9	37333	tie rod end right	443 419 812 D	c:12.6 th:FM16X1.5R
2	837400	strut mount	4A0 412 377 C	di:17.2 L:45	10	37338	tie rod left	4A0 419 801 A	c:12.6 L:620
3	837405	bearing	4A0 412 249	di:91.5 do:112 L:16	11	37384	TCA left wbj	4A0 407 151	c:19
4	837402 KIT	strut mount kit	4A0 412 377 C S1	di:17.2	12	37385	TCA right wbj	4A0 407 152	c:19
5	302.036	steering rack gaiter	431 419 831	D:48 d:40 L:550	13	837603	silentblock for TCA	4A0 407 181 A	di:16.1 do:63.7
6	37336	tie rod end left	4A0 419 811 A	c:12.6 th:FM18X1.5R	14	837609 KIT	silentblock for TCA + sleeve	4A0 407 183 D S1	di:14.4 do:54.5
7	37337	tie rod end right	4A0 419 812 A	c:12.6 th:FM18X1.5R	15	837609	silentblock for TCA	4A0 407 183 D	di:14.4 do:54.5
8	37332	tie rod end left	443 419 811 D	c:12.6 th:FM16X1.5R	16	863635	sleeve	4A0 399 413 A	di:13 do:14.5