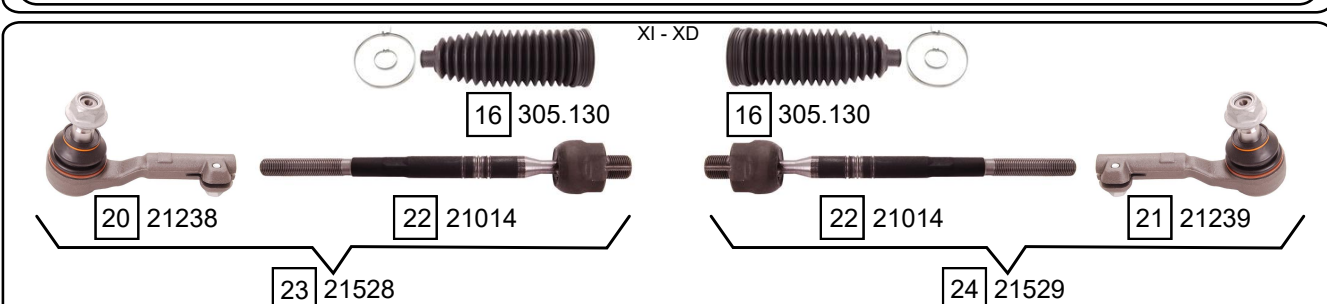
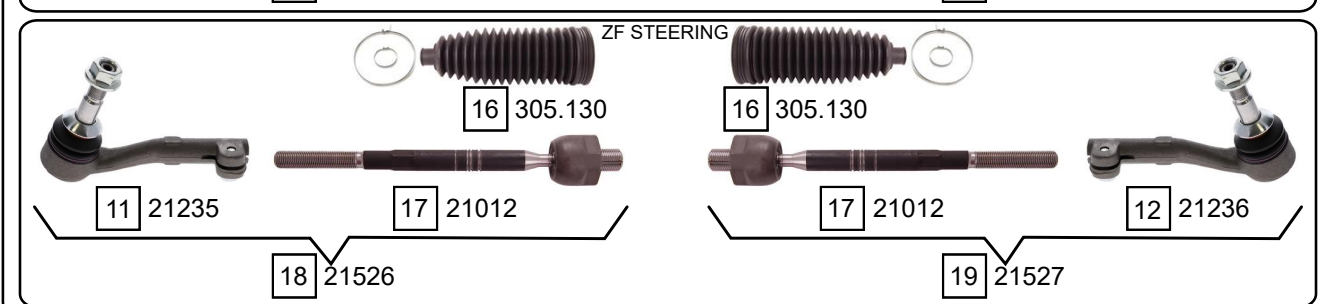
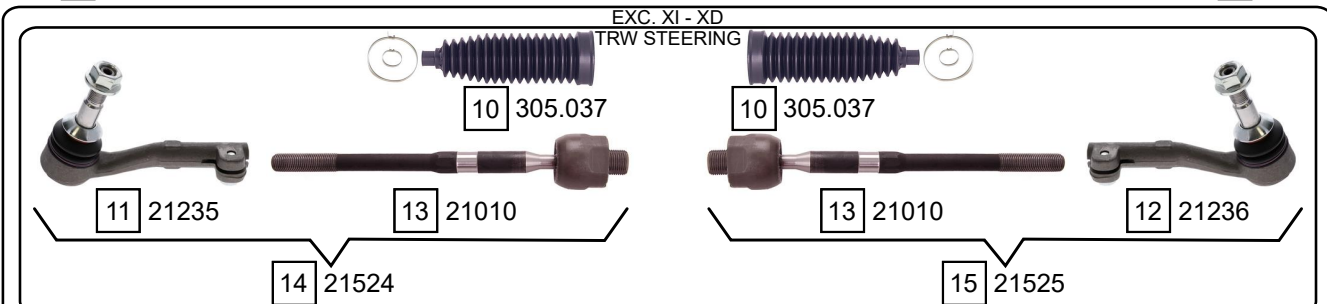
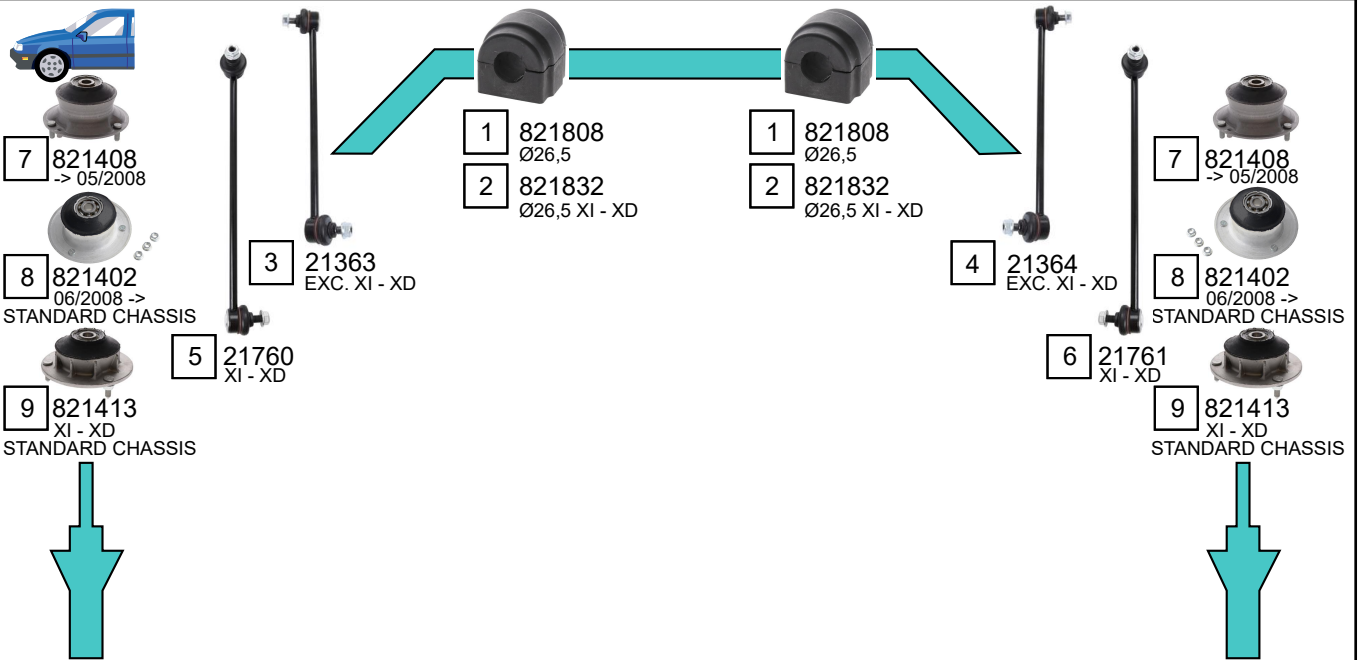


3-SERIE (E90, E91, E92, E93)

01/2005 - 12/2011



Ref.	Sidem Ref.	Description	OE-number	Measures	Ref.	Sidem Ref.	Description	OE-number	Measures
1	821808	stabiliser mounting	31 35 6 765 574	di:26	13	21010	axial joint	Part of	th:MM18x1.5R L:246
2	821832	stabiliser mounting	31 35 6 773 512	di:25.8	14	21524	tie rod left	32 21 6 762 243	c:16
3	21363	stabiliser link left	31 35 6 765 933	L:290	15	21525	tie rod right	32 21 6 762 244	c:16
4	21364	stabiliser link right	31 35 6 765 934	L:290	16	305.130	steering rack gaiter	32 10 6 782 252	D:64 d:15 L:195
5	21760	stabiliser link left	31 35 6 768 771	L:341	17	21012	axial joint	Part of	th:MM18x1.5R L:256
6	21761	stabiliser link right	31 35 6 768 772	L:341	18	21526	tie rod left	32 10 6 765 235	c:16
7	821408	strut mount	31 30 6 775 098	di:14.2 do:128 L:60.5	19	21527	tie rod right	32 10 6 765 236	c:16
8	821402	strut mount	31 33 6 760 943	di:14.1 do:140 L:60	20	21238	tie rod end left	32 10 6 793 623	c:15.4 th:FM14x1.5R
9	821413	strut mount	31 33 6 775 097	di:14.2 do:128.5 L:50	21	21239	tie rod end right	32 10 6 793 624	c:15.4 th:FM14x1.5R
10	305.037	steering rack gaiter	32 10 6 765 079	D:59 d:16 L:209	22	21014	axial joint	Part of	th:MM18x1.5R L:261
11	21235	tie rod end left	32 10 6 765 089	c:16 th:FM14x1.5R	23	21528	tie rod left	32 10 6 793 621	c:15.4
12	21236	tie rod end right	32 10 6 765 090	c:16 th:FM14x1.5R	24	21529	tie rod right	32 10 6 793 622	c:15.4