

ORLANDO (J309)

12/2010 ->

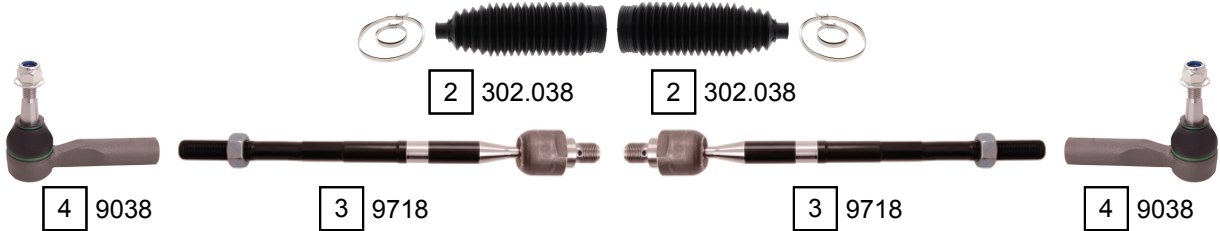


1 9160



1 9160

HYDRO. PS



4 9038

3 9718

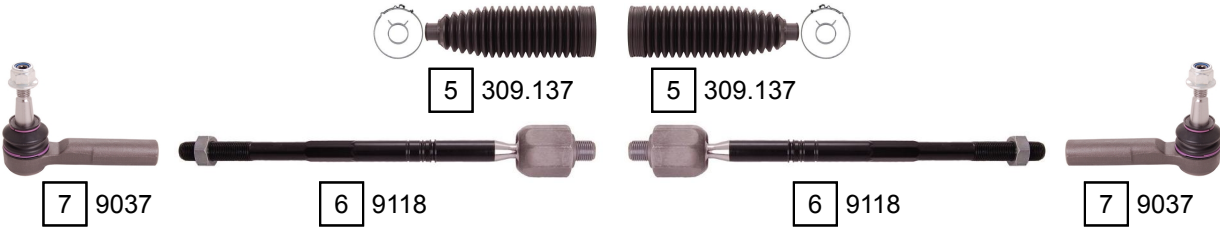
2 302.038

2 302.038

3 9718

4 9038

ELEC. PS



7 9037

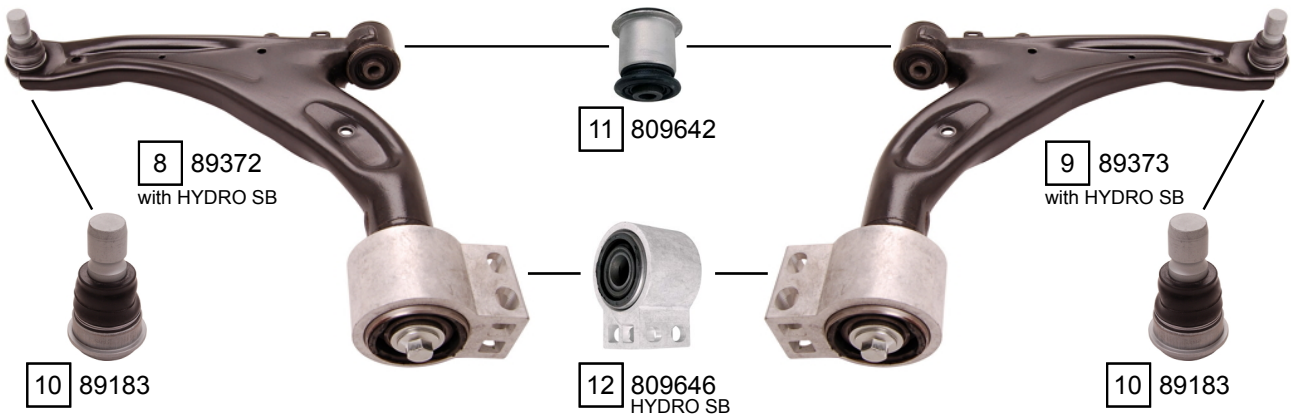
6 9118

5 309.137

5 309.137

6 9118

7 9037



8 89372
with HYDRO SB

11 809642

9 89373
with HYDRO SB

10 89183

12 809646
HYDRO SB

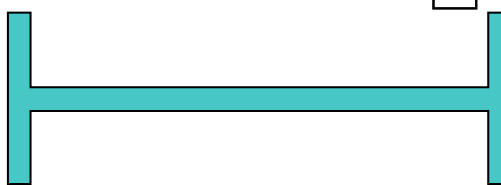
10 89183



14 809500



13 889300



13 889300



14 809500



Ref.	Sidem Ref.	Description	OE-number	Measures	Ref.	Sidem Ref.	Description	OE-number	Measures
1	9160	stabiliser link	13219141	L:304	8	89372	TCA left wbj	94544265	c:20
2	302.038	steering rack gaiter	13278357	D:50 d:15 L:186	9	89373	TCA right wbj	94544266	c:20
3	9718	axial joint	13314170	th:MM16X1.5R L:313	10	89183	ball joint	Part of	c:20 do:38
4	9038	tie rod end	13278359	c:13.2 th:FM16x1.5R	11	809642	silentblock for TCA	13219090	di:12.4 do:40.4
5	309.137	steering rack gaiter	13354440	D:53.5 d:16 L:194	12	809646	silentblock for TCA	13230774	di:22.3 do:65.6
6	9118	axial joint	13286688	th:MM16X1.5R L:310	13	889300	mounting axle body	13354691	di:12.1 do:68.6
7	9037	tie rod end	13286686	c:13.2 th:FM16x1.5R	14	809500	strut mount	13252362	di:10.2 L:48