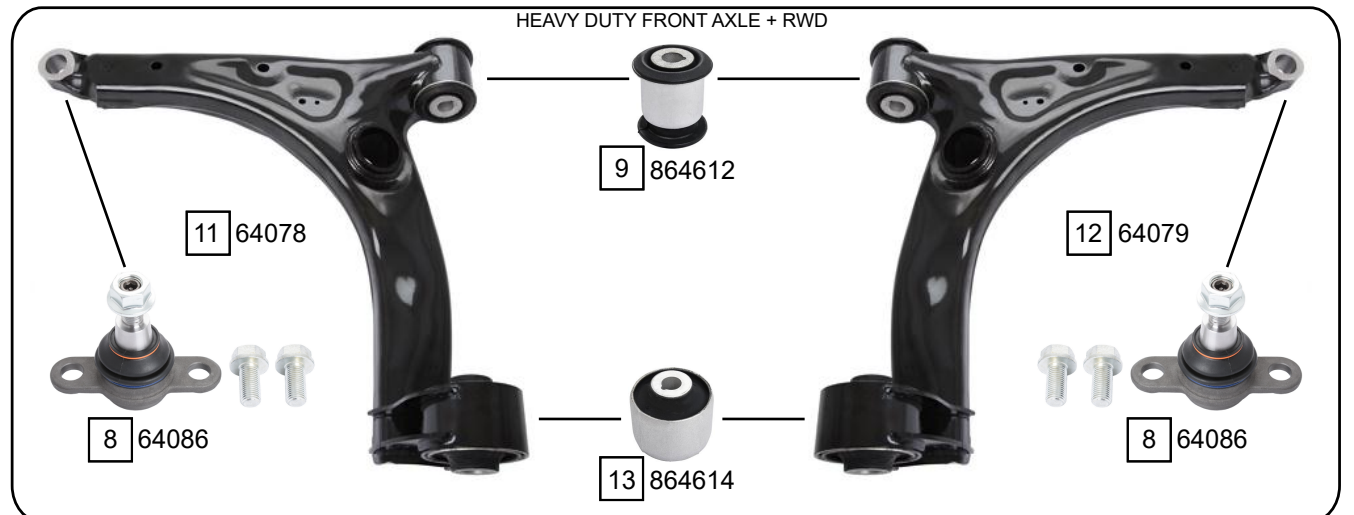
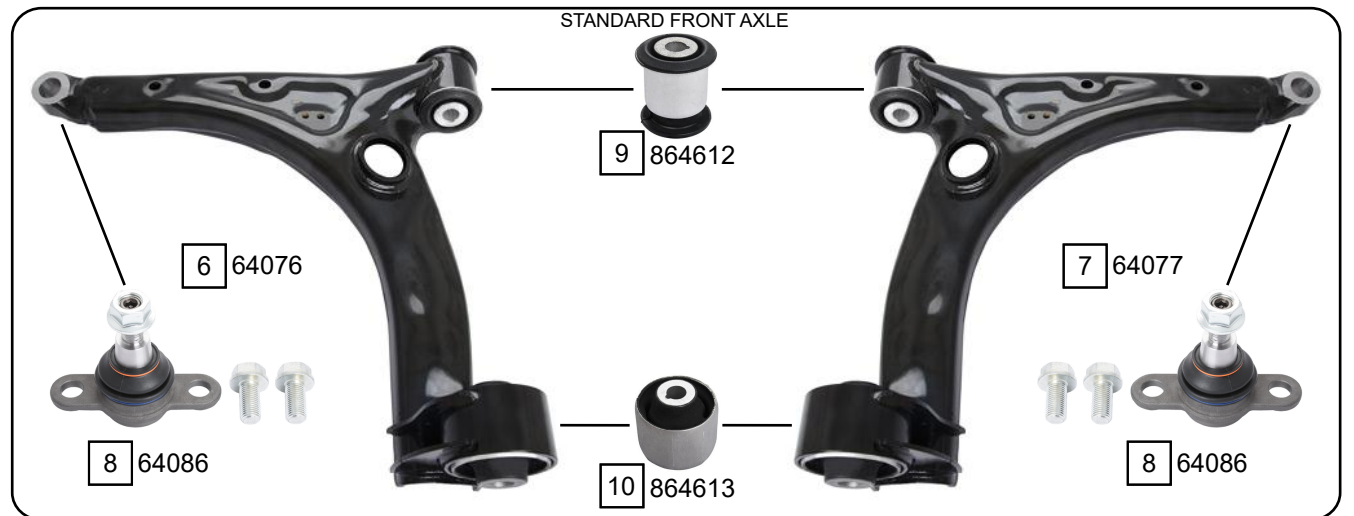
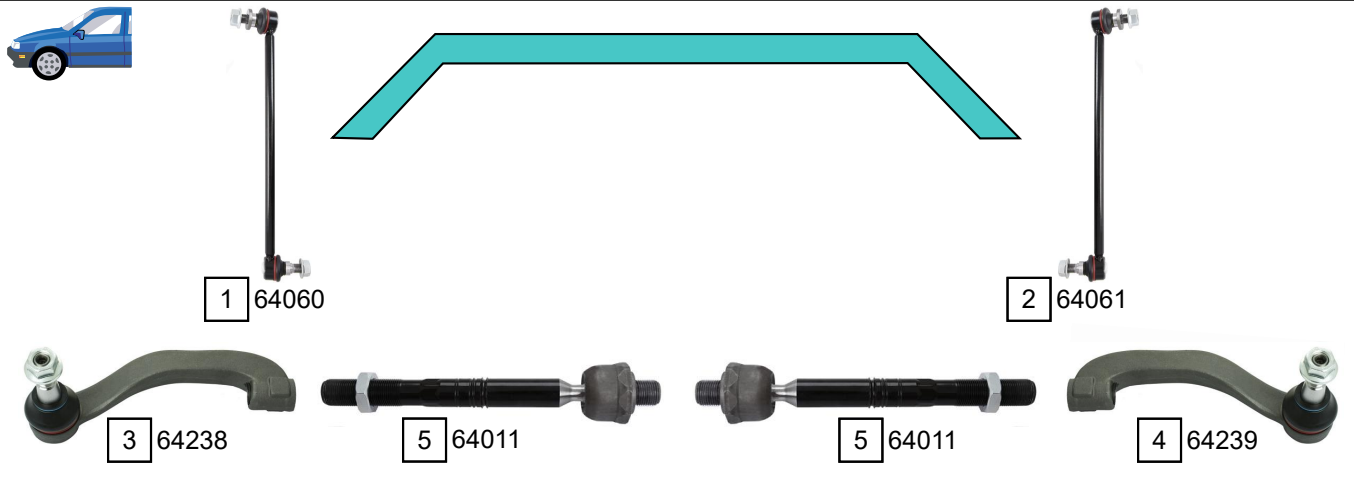


TGE (UX_, UY_, UZ_) →

11/2016 →



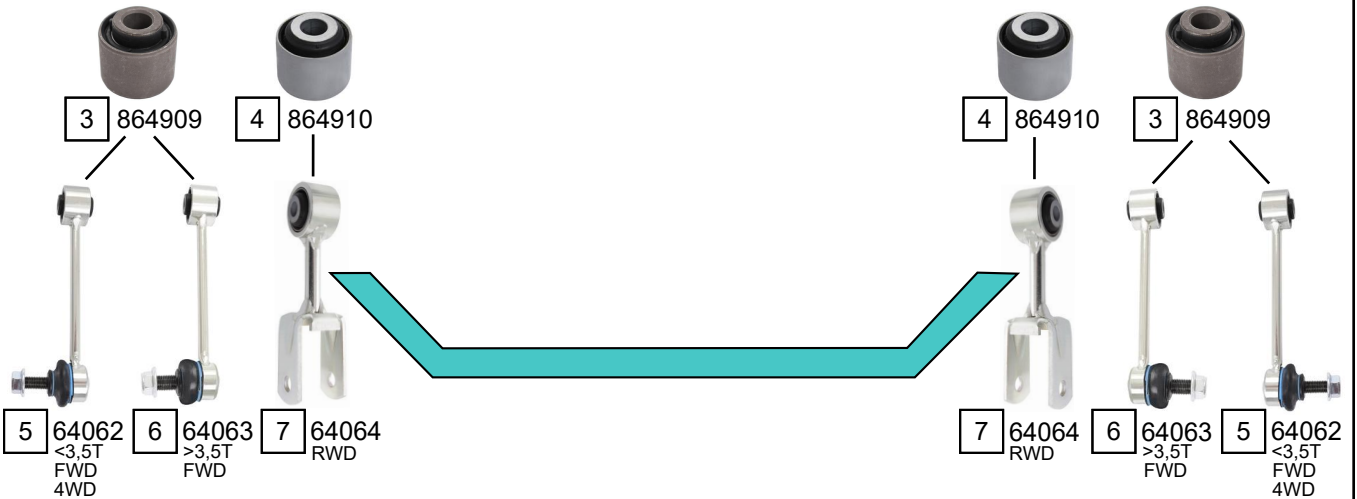
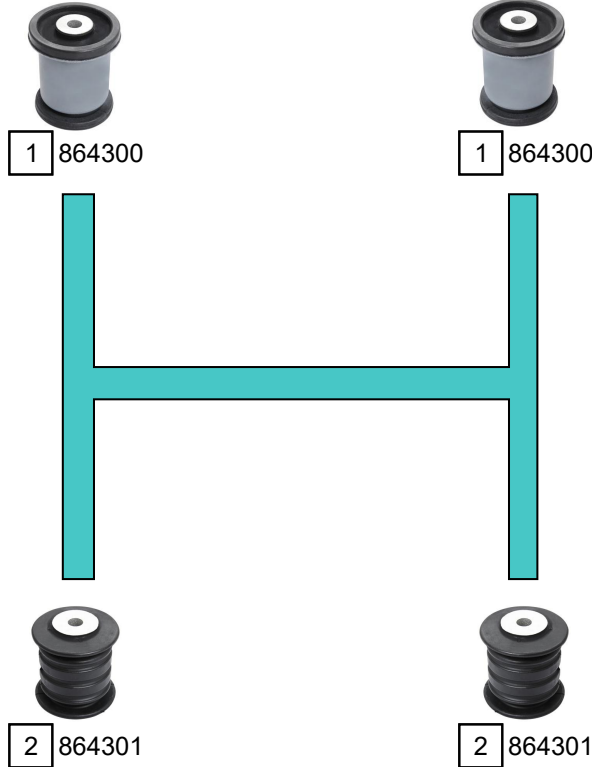
Ref.	Sidem Ref.	Description	OE-number	Measures	Ref.	Sidem Ref.	Description	OE-number	Measures
1	64060	stabiliser link left	65 43718 0009	L:380	8	64086	ball joint	65 43316 0006	c:21.2
2	64061	stabiliser link right	65 43718 0008	L:380	9	864612	silentblock for TCA	65 43316 0005	di:16.2 do:50.1 (*)
3	64238	tie rod end left	65 46710 0001	c:16.2 th:FM18X1.5R	10	864613	silentblock for TCA	65 43316 0004	di:16.2 do:70 (*)
4	64239	tie rod end right	65 46710 0002	c:15.5 th:FM18X1.5R	11	64078	TCA left wobj	65 43315 6009	
5	64011	axial joint	65 46710 0000	th:MM18X1.5R L:224	12	64079	TCA right wobj	65 43315 6012	
6	64076	TCA left wobj	65 43315 6007		13	864614	silentblock for TCA	65 43316 0007	di:16.2 do:70 (*)
7	64077	TCA right wobj	65 43315 6008						

TGE (UX_, UY_, UZ_)

11/2016 ->



EXC. RWD



Ref.	Sidem Ref.	Description	OE-number	Measures	Ref.	Sidem Ref.	Description	OE-number	Measures
1	864300	spring bush	65 96210 0009	di:12.1 do:60.9	5	64062	stabiliser link	65 43718 0004	L:180
2	864301	spring bush	65 96210 0010	di:12.2 do:61.5	6	64063	stabiliser link	65 43718 0005	L:180
3	864909	stabiliser mounting	Part of	di:12.2	7	64064	stabiliser link	65 43718 0006	L:140
4	864910	stabiliser mounting	Part of	di:12.2					