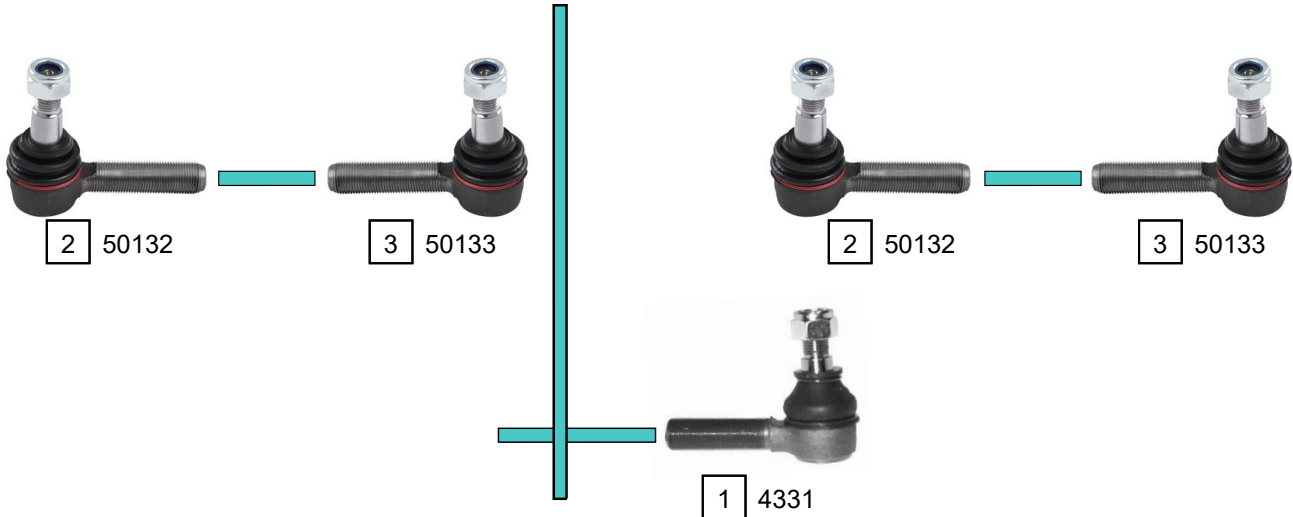


100 (631)

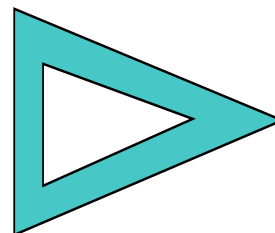
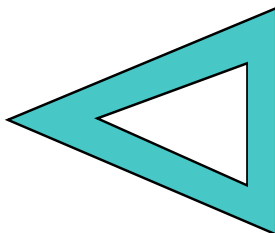
02/1988 - 02/1996



-> CHAS 013457



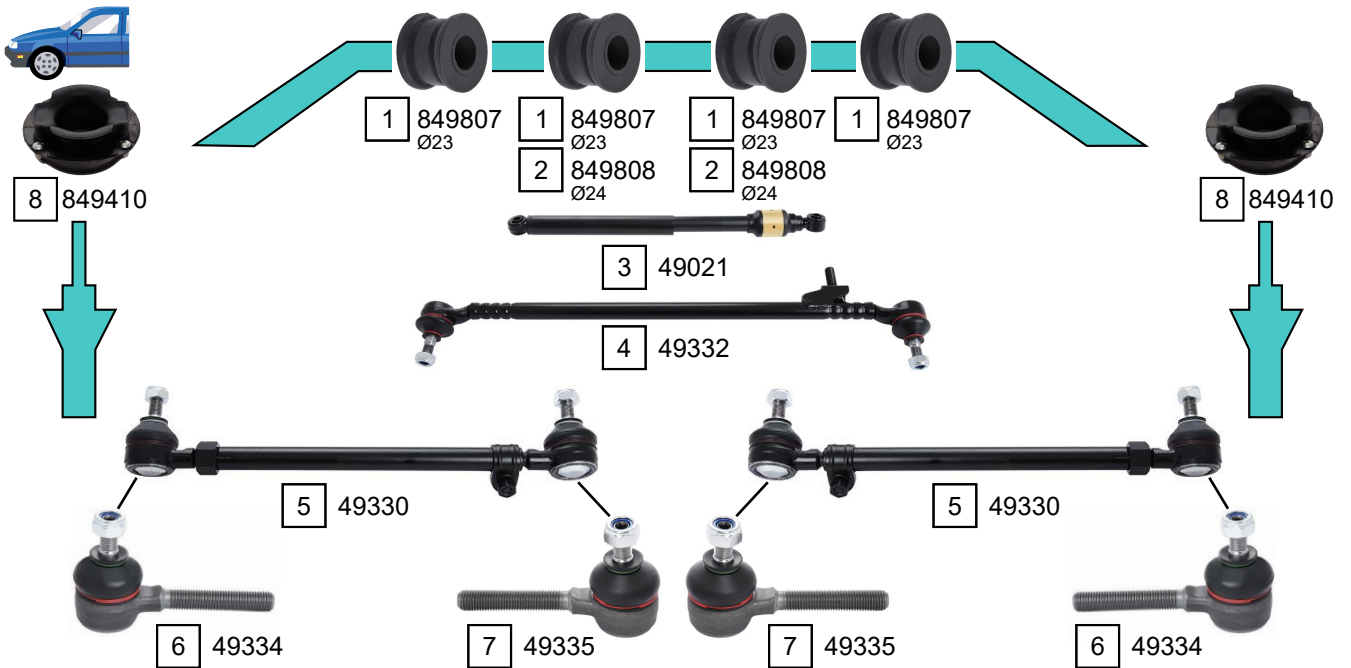
CHAS 013458 ->



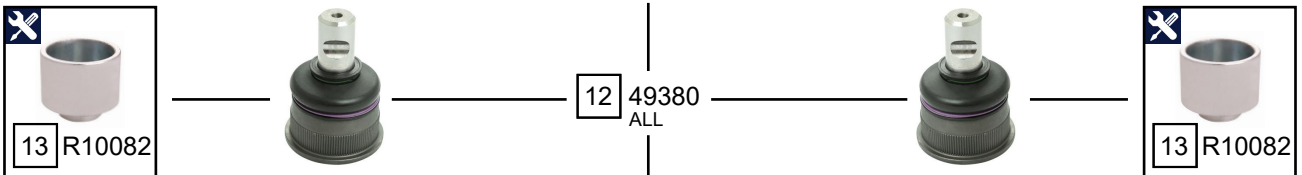
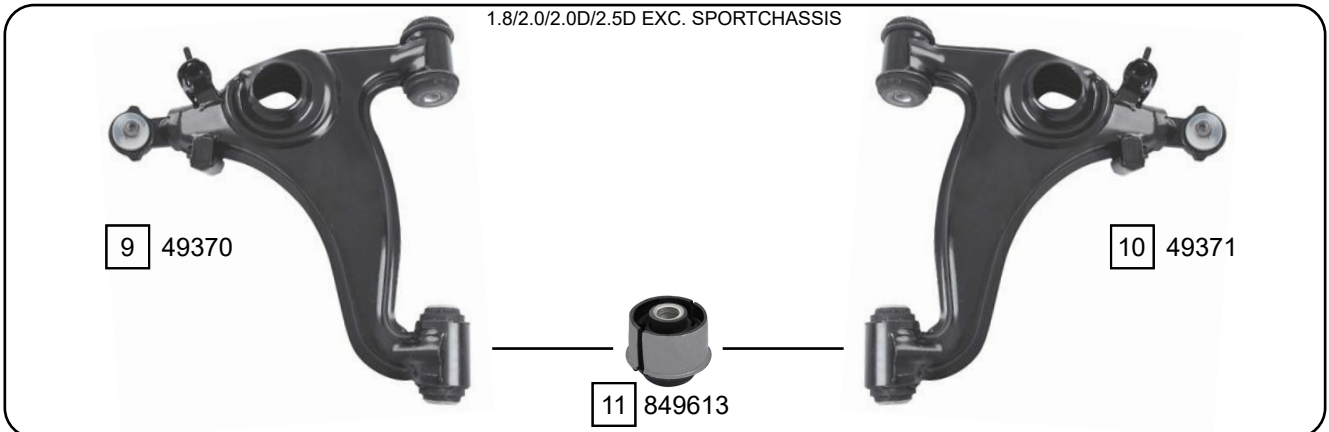
Ref.	Sidem Ref.	Description	OE-number	Measures	Ref.	Sidem Ref.	Description	OE-number	Measures
1	4331	tie rod end right	460 330 12 35	c:18.1 th:MM20x1.5R	5	50182	ball joint	631 320 00 28	c:20.1 do:26
2	50132	tie rod end	631 338 03 10	c:16.2 th:MM18X1.5L	6	50233	tie rod end	631 330 05 35	c:19.9 th:MM24x1.5R
3	50133	tie rod end	631 338 04 10	c:16.2 th:MM18X1.5R	7	50238	tie rod end	000 460 65 48	c:16.2 th:MM18X1.5R
4	50134	tie rod end	631 330 04 35	c:18.1 th:MM20X1.5L					

190 (W201)

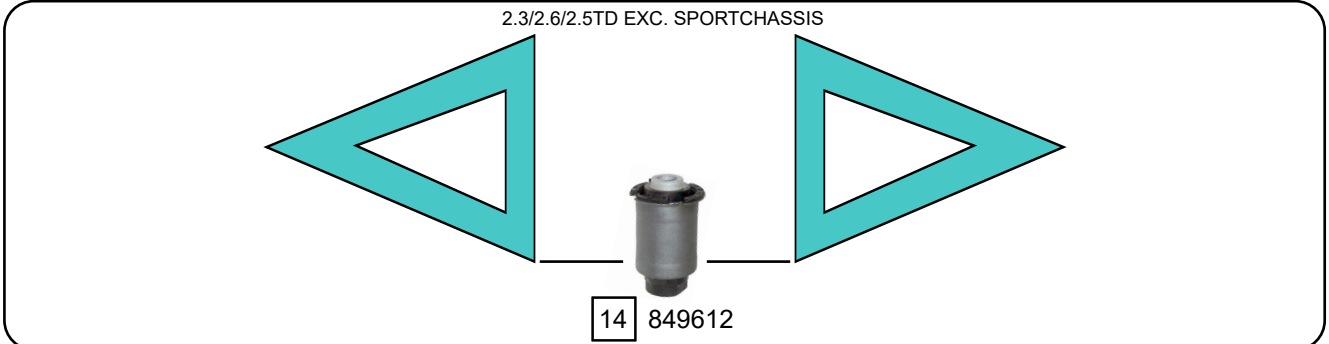
11/1982 - 08/1993



1.8/2.0/2.0D/2.5D EXC. SPORTCHASSIS



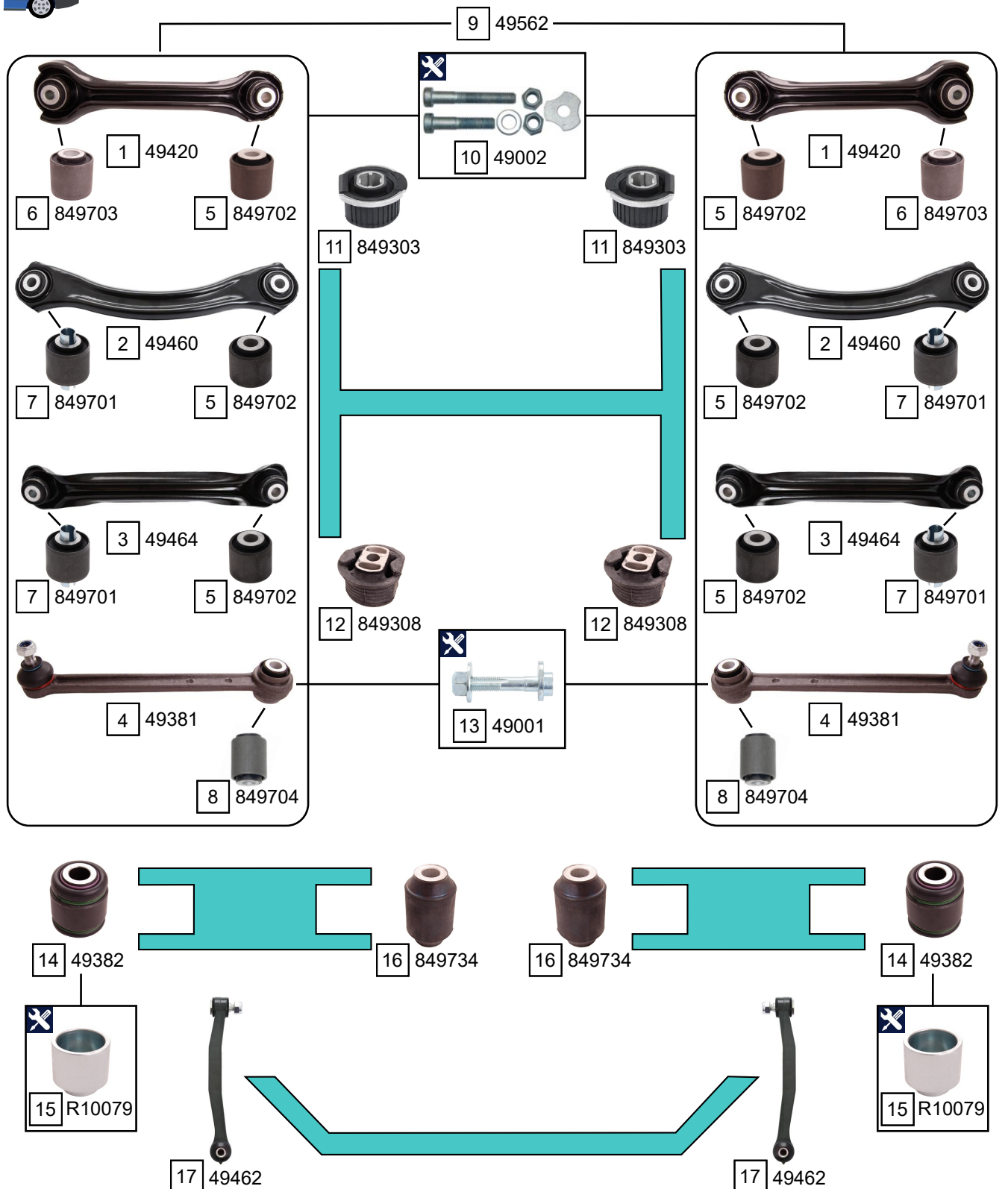
2.3/2.6/2.5TD EXC. SPORTCHASSIS



Ref.	Sidem Ref.	Description	OE-number	Measures	Ref.	Sidem Ref.	Description	OE-number	Measures
1	849807	stabiliser mounting	201 323 49 85	di:22	8	849410	strut mount	201 320 24 44	di:14.1 L:56
2	849808	stabiliser mounting	124 323 54 85	di:24	9	49370	TCA left wbj	124 330 38 07	c:18
3	49021	steering damper	124 463 04 32		10	49371	TCA right wbj	124 330 39 07	c:18
4	49332	tie rod center	201 460 15 05	L:487.5	11	849613	silentblock for TCA	201 333 45 14	di:14.2 do:51.6 (*)
5	49330	tie rod	201 330 15 03	c:10.9 L:302	12	49380	ball joint lower	124 333 03 27	c:18 do:46.3
6	49334	tie rod end	000 338 62 10	c:10.9 th:MM12X1.5L	13	R10082	mounting tool ring ø52 ø44	SEE PAGE III	di:44 do:52
7	49335	tie rod end	000 338 63 10	c:10.9 th:MM12X1.5R	14	849612	silentblock for TCA	124 333 38 14	di:15 do:48 (*)

190 (W201)

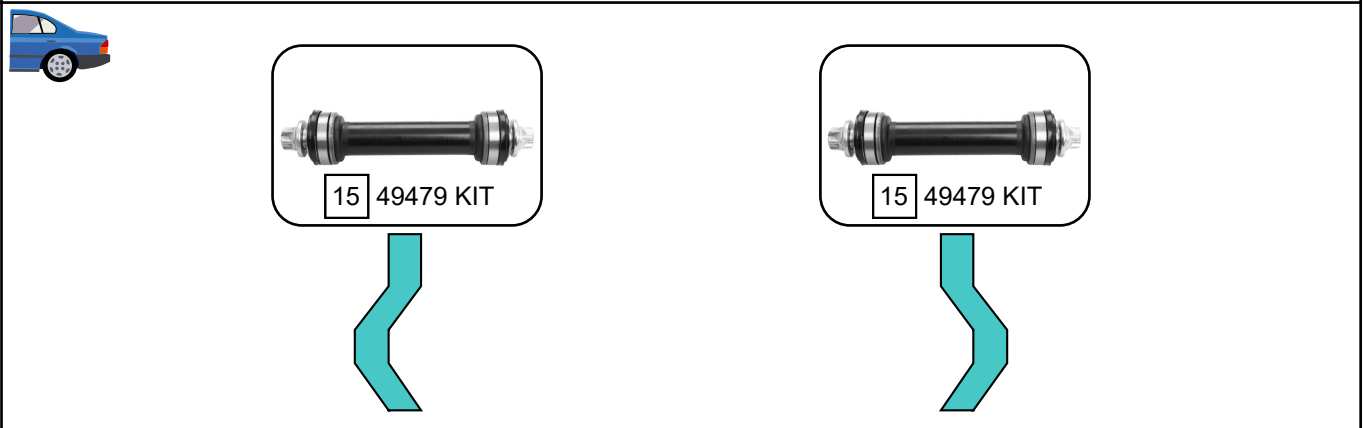
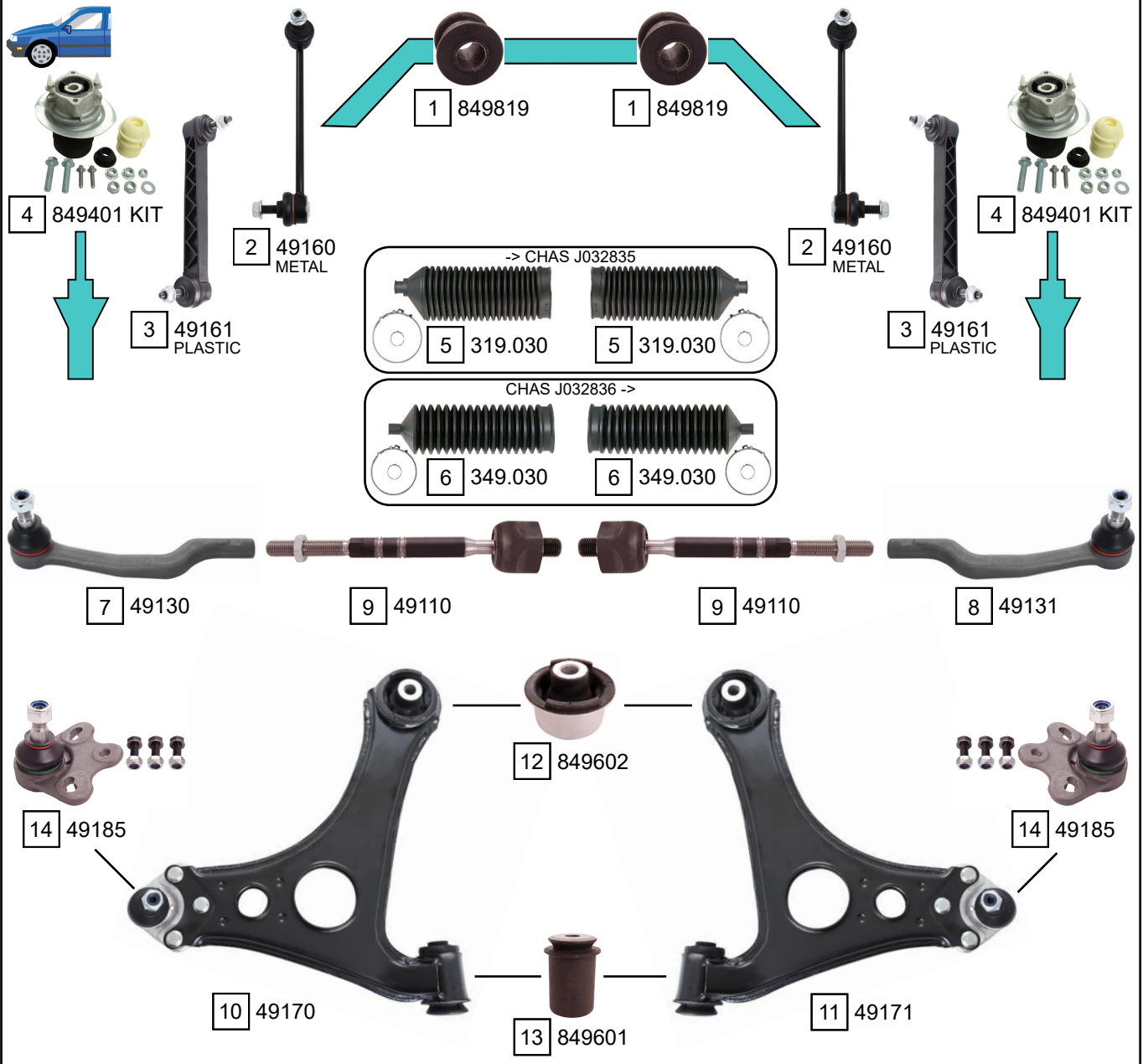
11/1982 - 08/1993



Ref.	Sidem Ref.	Description	OE-number	Measures	Ref.	Sidem Ref.	Description	OE-number	Measures
1	49420	track rod	210 350 33 06	L:247	10	49002	mounting kit	210 350 45 06	
2	49460	track rod	210 350 34 06	L:299	11	849303	mounting axle body	124 350 03 41	do:66
3	49464	track rod	210 350 38 06	L:314	12	849308	mounting axle body	202 350 34 08	di:18.3 do:82
4	49381	stabiliser link rear axle	210 350 21 53	L:245	13	49001	mounting kit	140 350 11 70	th:M12x1.5R
5	849702	silentblock for TCA	Part of	di:12.1 do:36.2 (*)	14	49382	ball joint rear	204 352 00 27	di:14.2 do:40
6	849703	silentblock for TCA	Part of	di:13.1 do:36.2 (*)	15	R10079	mounting tool ring ø46 ø38	SEE PAGE III	di:38 do:46
7	849701	silentblock for TCA	124 352 35 65	di:12.8 do:36.1 (*)	16	849734	silentblock for TCA	201 352 36 65	di:12.1 do:35 (*)
8	849704	silentblock for TCA	201 352 88 65	di:12.2 do:31.5 (*)	17	49462	stabiliser link rear axle	124 320 02 89	L:200
9	49562	set TCA	210 350 21 53 S1						

A-CLASS (W168)

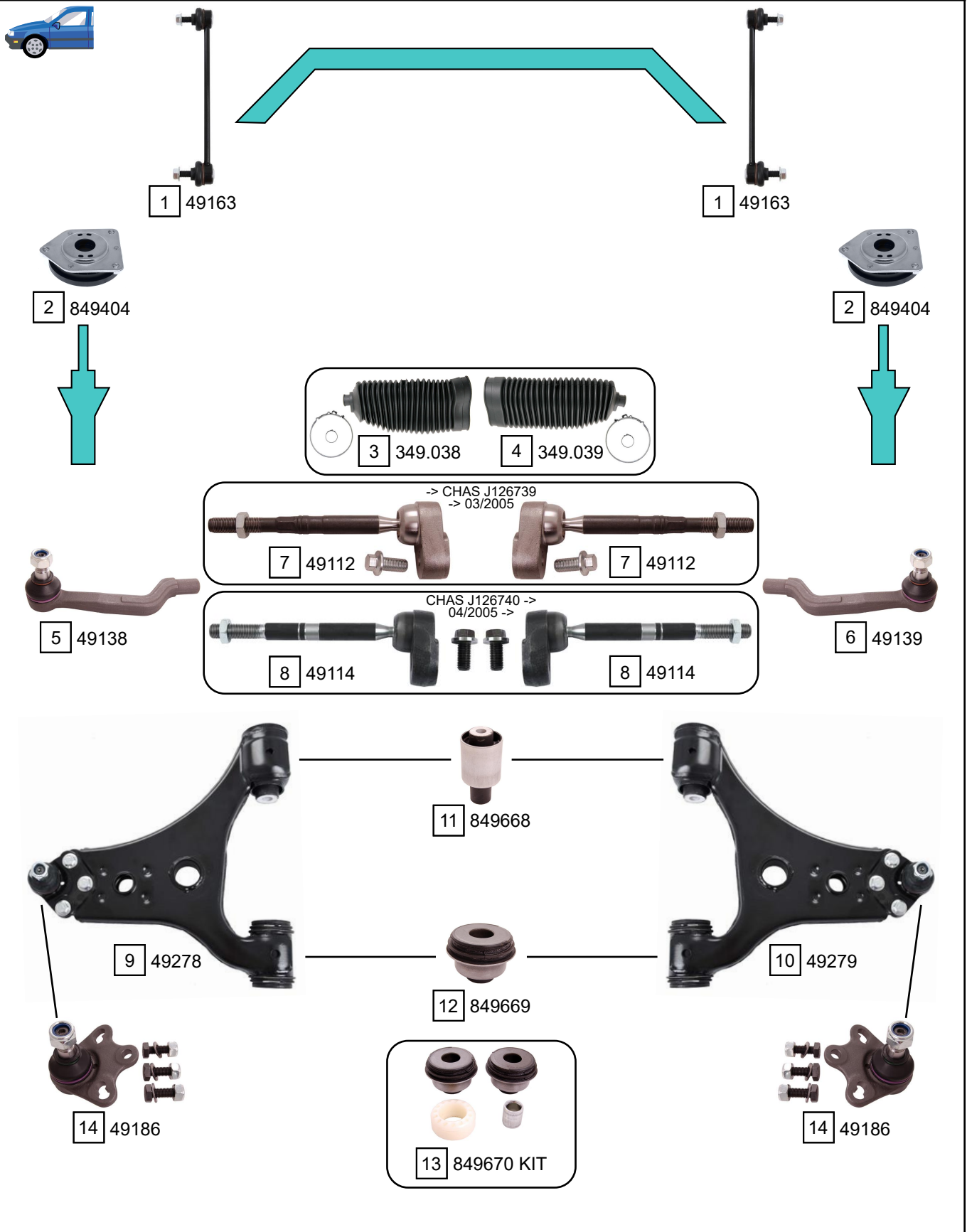
06/1997 - 08/2004



Ref.	Sidem Ref.	Description	OE-number	Measures	Ref.	Sidem Ref.	Description	OE-number	Measures
1	849819	stabiliser mounting	168 323 03 85	di:20	9	49110	axial joint	168 330 13 35	th:MM14X1.5R L:197
2	49160	stabiliser link	168 320 03 89	L:218	10	49170	TCA left wbj	168 330 08 07	c:13.7
3	49161	stabiliser link	168 320 11 89	L:220	11	49171	TCA right wbj	168 330 09 07	c:13.7
4	849401 KIT	strut mount kit	168 320 00 56	di:14.6 do:98.5	12	849602	silentblock for TCA	168 333 06 14	di:13.4 do:60.2 (*)
5	319.030	steering rack gaiter	168 463 01 96	D:85 d:12 L:223	13	849601	silentblock for TCA	168 333 07 14	di:12 do:40.7 (*)
6	349.030	steering rack gaiter	168 460 24 00	D:52 d:11 L:210	14	49185	ball joint	168 333 02 27	c:13.8
7	49130	tie rod end left	168 330 15 35	c:14.7 th:FM12X1.5R	15	49479 KIT	repair kit for TCA	168 981 05 18 S1	
8	49131	tie rod end right	168 330 16 35	c:14.7 th:FM12X1.5R					

A-CLASS (W169)

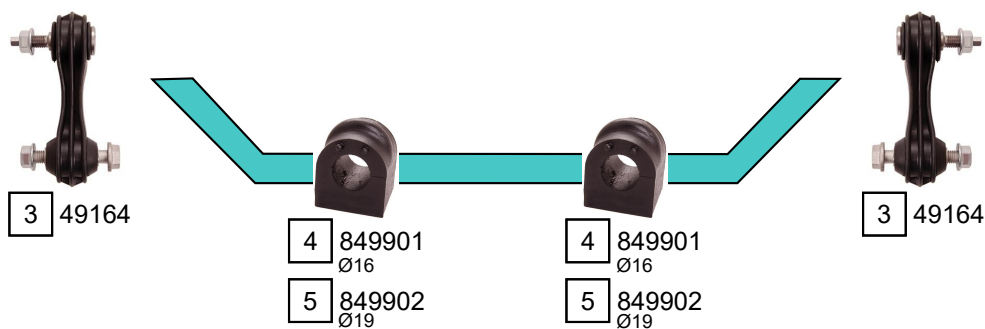
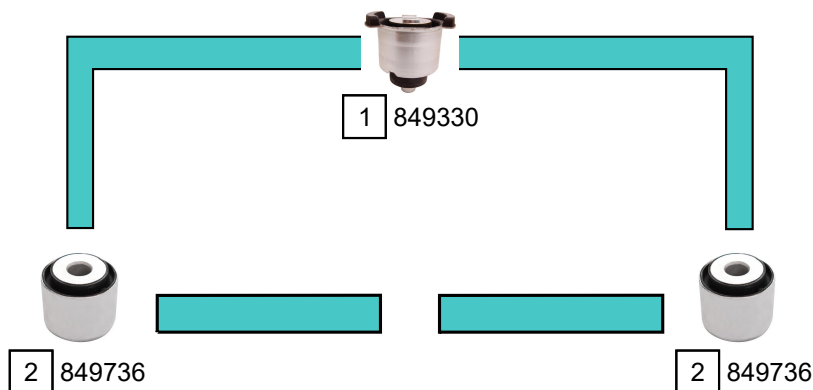
01/2004 - 06/2012



Ref.	Sidem Ref.	Description	OE-number	Measures	Ref.	Sidem Ref.	Description	OE-number	Measures
1	49163	stabiliser link	169 320 09 89	L:244	8	49114	axial joint	169 330 09 03	th:dia 17.7 L:202
2	849404	strut mount	169 320 00 73	di:14.5 do:116 L:43	9	49278	TCA left wbj	169 330 07 07	c:15.5
3	349.038	steering rack gaiter	169 460 01 96	D:54 d:15 L:204	10	49279	TCA right wbj	169 330 08 07	c:15.5
4	349.039	steering rack gaiter	169 460 03 96	D:85 d:15 L:242	11	849668	silentblock for TCA	Part of	di:14.6 do:60 (*)
5	49138	tie rod end left	169 330 05 03	c:16.6 th:FM14X1.5R	12	849669	silentblock for TCA	Part of	di:20 do:46 (*)
6	49139	tie rod end right	169 330 06 03	c:16.6 th:FM14X1.5R	13	849670 KIT	silentblock kit	169 333 01 14 S1	
7	49112	axial joint	169 330 04 03	th:dia 19.75 L:202	14	49186	ball joint	169 333 01 27	c:15.4

A-CLASS (W169)

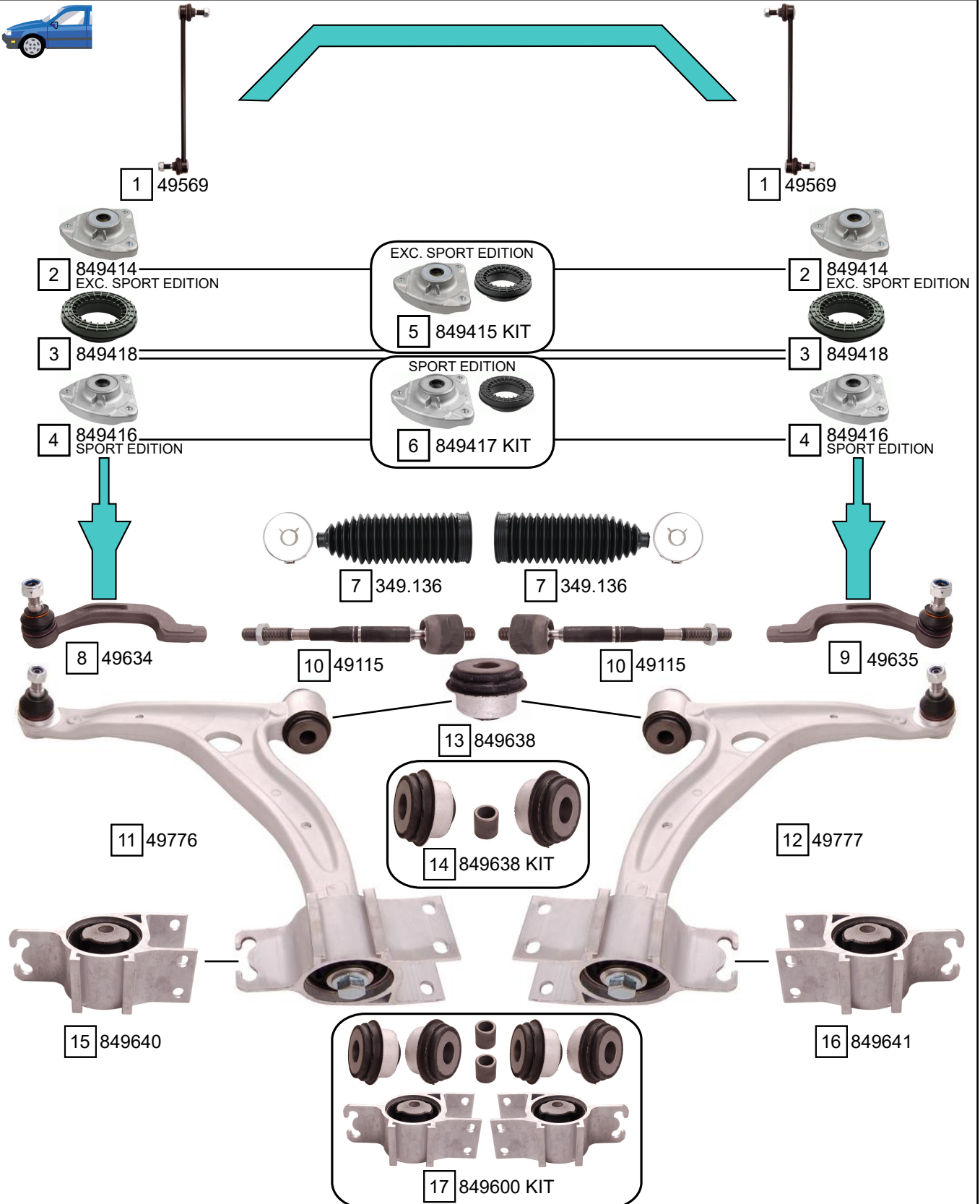
01/2004 - 06/2012



Ref.	Sidem Ref.	Description	OE-number	Measures	Ref.	Sidem Ref.	Description	OE-number	Measures
1	849330	mounting axle body	Part of	di:17 do:100	4	849901	stabiliser mounting	124 326 01 81	di:15.5
2	849736	silentblock for TCA	Part of	di:12.1 do:40.20 (*)	5	849902	stabiliser mounting	210 326 08 81	di:18
3	49164	stabiliser link rear axle	169 320 05 89	L:87					

A-CLASS (W176)

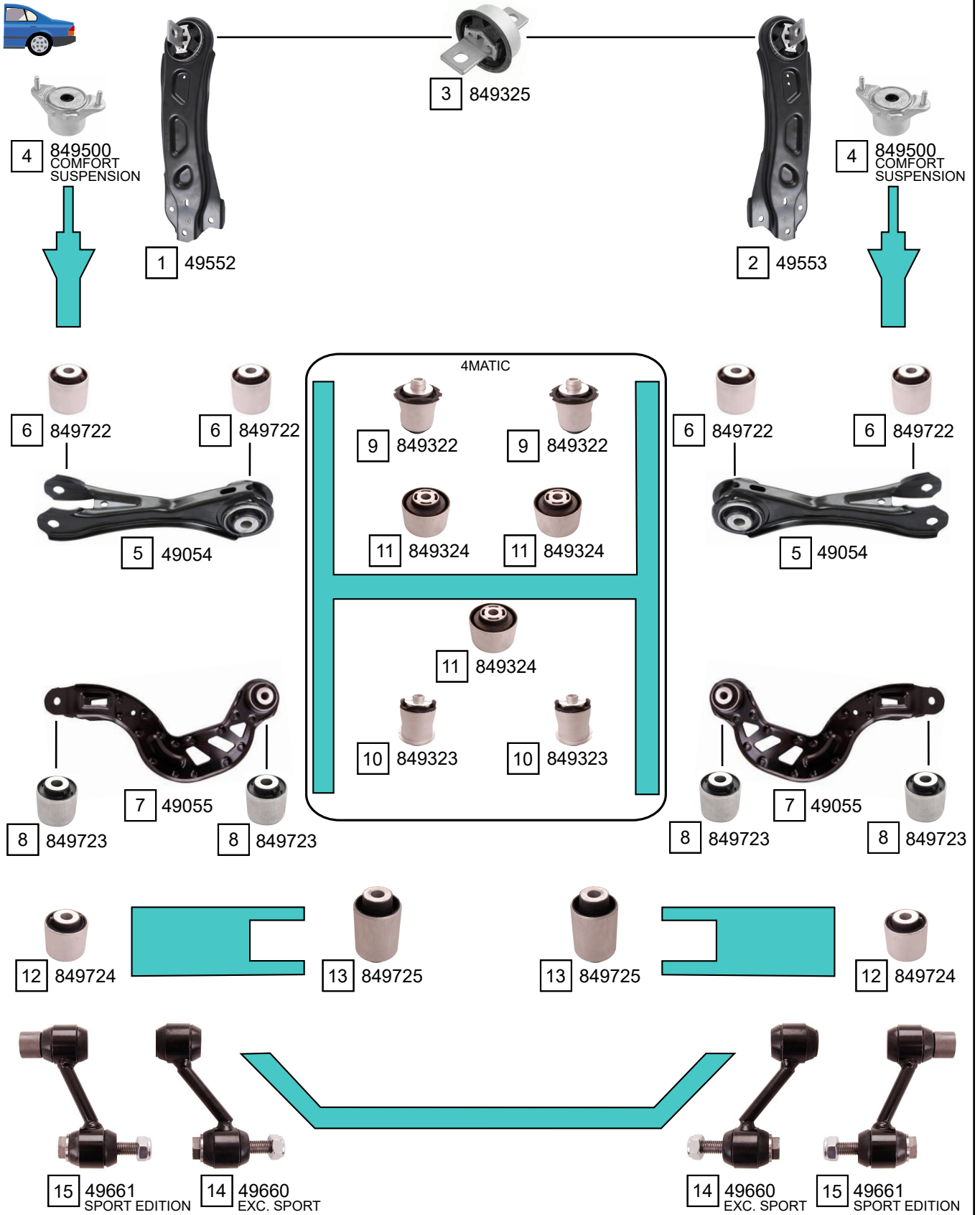
06/2012 - 05/2018



Ref.	Sidem Ref.	Description	OE-number	Measures	Ref.	Sidem Ref.	Description	OE-number	Measures
1	49569	stabiliser link	246 320 06 89	L:333	10	49115	axial joint	246 338 00 00	th:MM14X1.5R L:222
2	849414	strut mount	246 323 00 20	do:75.8 L:68	11	49776	TCA left wbj	246 330 47 00	c:18
3	849418	bearing	204 981 00 25	di:82 do:126.5 L:36.4	12	49777	TCA right wbj	246 330 48 00	c:18
4	849416	strut mount	176 320 01 73	di:15.2 do:75.4 L:77.8	13	849638	silentblock for TCA	246 333 01 14	di:19.8 do:46 (*)
5	849415 KIT	strut mount kit	246 323 00 20 S1	do:75.8 L:68	14	849638 KIT	silentblock kit	246 333 01 14 S1	
6	849417 KIT	strut mount kit	176 320 01 73 S1	di:15.2 L:77.8	15	849640	silentblock for TCA	246 333 01 00	di:14.2 do:70 (*)
7	349.136	steering rack gaiter	246 463 00 96	D:57.5 d:14.5 L:192	16	849641	silentblock for TCA	246 333 02 00	di:14.2 do:70 (*)
8	49634	tie rod end left	246 330 17 00	c:16.3 th:FM14X1.5R	17	849600 KIT	silentblock kit	246 333 01 00 S2	
9	49635	tie rod end right	246 330 18 00	c:16.3 th:FM14X1.5R					

A-CLASS (W176)

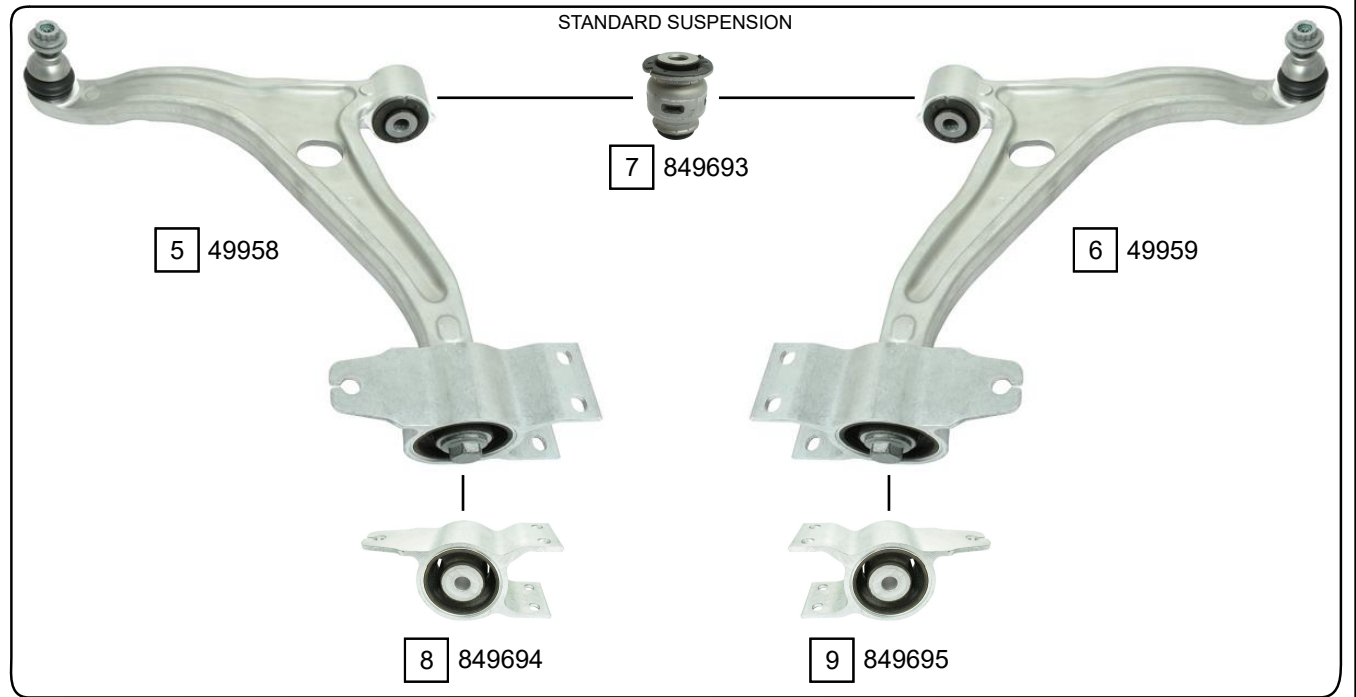
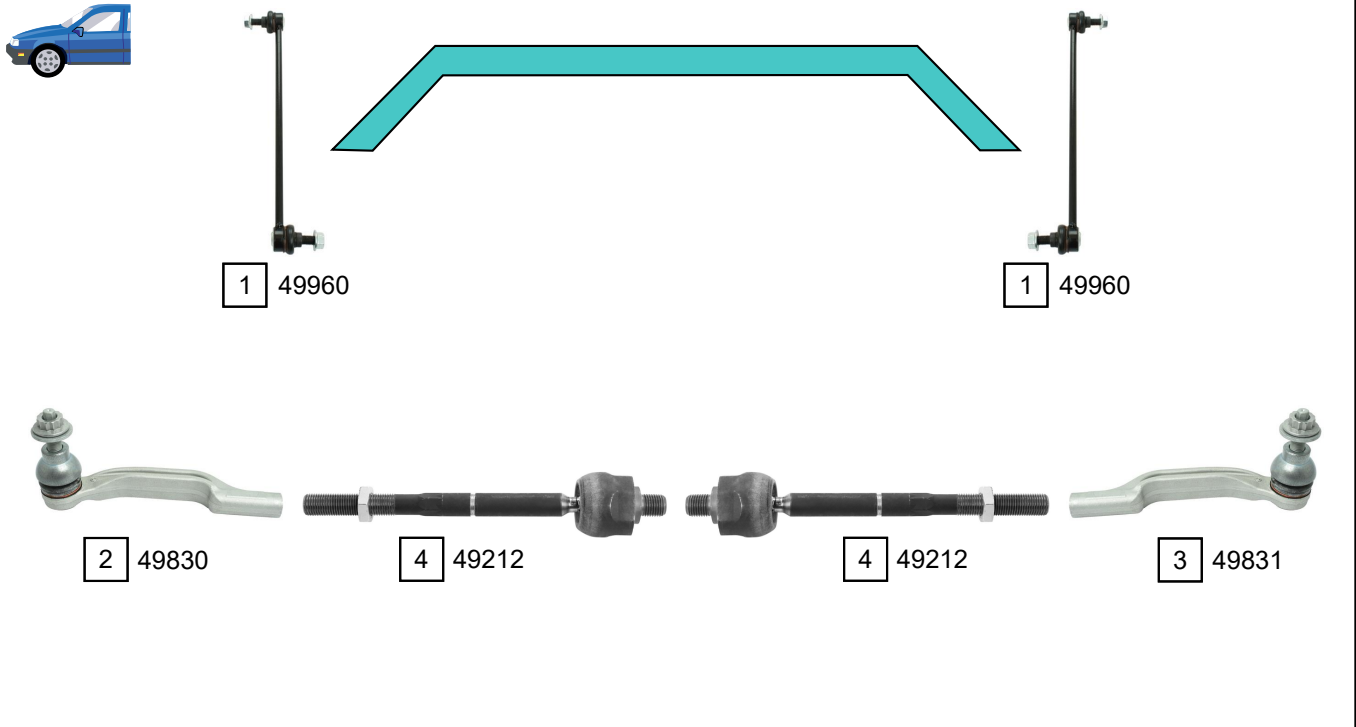
06/2012 - 05/2018



Ref.	Sidem Ref.	Description	OE-number	Measures	Ref.	Sidem Ref.	Description	OE-number	Measures
1	49552	TCA	246 350 04 06	L:390	9	849322	mounting axle body	246 351 07 00	di:12.1 do:69
2	49553	TCA	246 350 05 06	L:390	10	849323	mounting axle body	246 351 04 00	di:16 do:69
3	849325	mounting axle body	Part of	do:82	11	849324	mounting axle body	246 351 02 00	di:14.7 do:74.1
4	849500	strut mount	Part of	di:10.2 do:69.2 L:60.6	12	849724	silentblock for TCA	246 352 09 65	di:12 do:45 (*)
5	49054	track rod	246 350 00 53	L:206	13	849725	silentblock for TCA	246 352 01 00	di:12.1 do:45 (*)
6	849722	silentblock for TCA	246 352 02 65	di:12 do:45 (*)	14	49660	stabiliser link rear axle	246 320 04 89	L:80
7	49055	track rod	246 350 10 06	L:328	15	49661	stabiliser link rear axle	246 320 07 89	L:80
8	849723	silentblock for TCA	246 352 01 65	di:12.1 do:45.2 (*)					

A-CLASS HATCHBACK (W177)
A-CLASS BERLINE (V177)

03/2018 ->
09/2018 ->



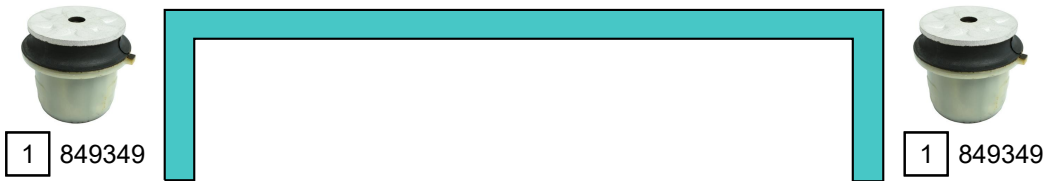
Ref.	Sidem Ref.	Description	OE-number	Measures	Ref.	Sidem Ref.	Description	OE-number	Measures
1	49960	stabiliser link	247 320 42 00	L:339	6	49959	TCA right wbj	247 330 06 00	c:26.4
2	49830	tie rod end left	177 330 85 00	c:26.3 th:FM14X1.5R	7	849693	silentblock for TCA	Part of	di:14.3 do:50.2 (*)
3	49831	tie rod end right	177 330 84 00	c:26.3 th:FM14X1.5R	8	849694	silentblock for TCA	247 333 05 00	di:14.3 (*)
4	49212	axial joint	177 338 00 00	th:MM14X1.5R L:208	9	849695	silentblock for TCA	247 333 06 00	di:14.3 (*)
5	49958	TCA left wbj	247 330 05 00	c:26.4					

A-CLASS HATCHBACK (W177)
A-CLASS BERLINE (V177)

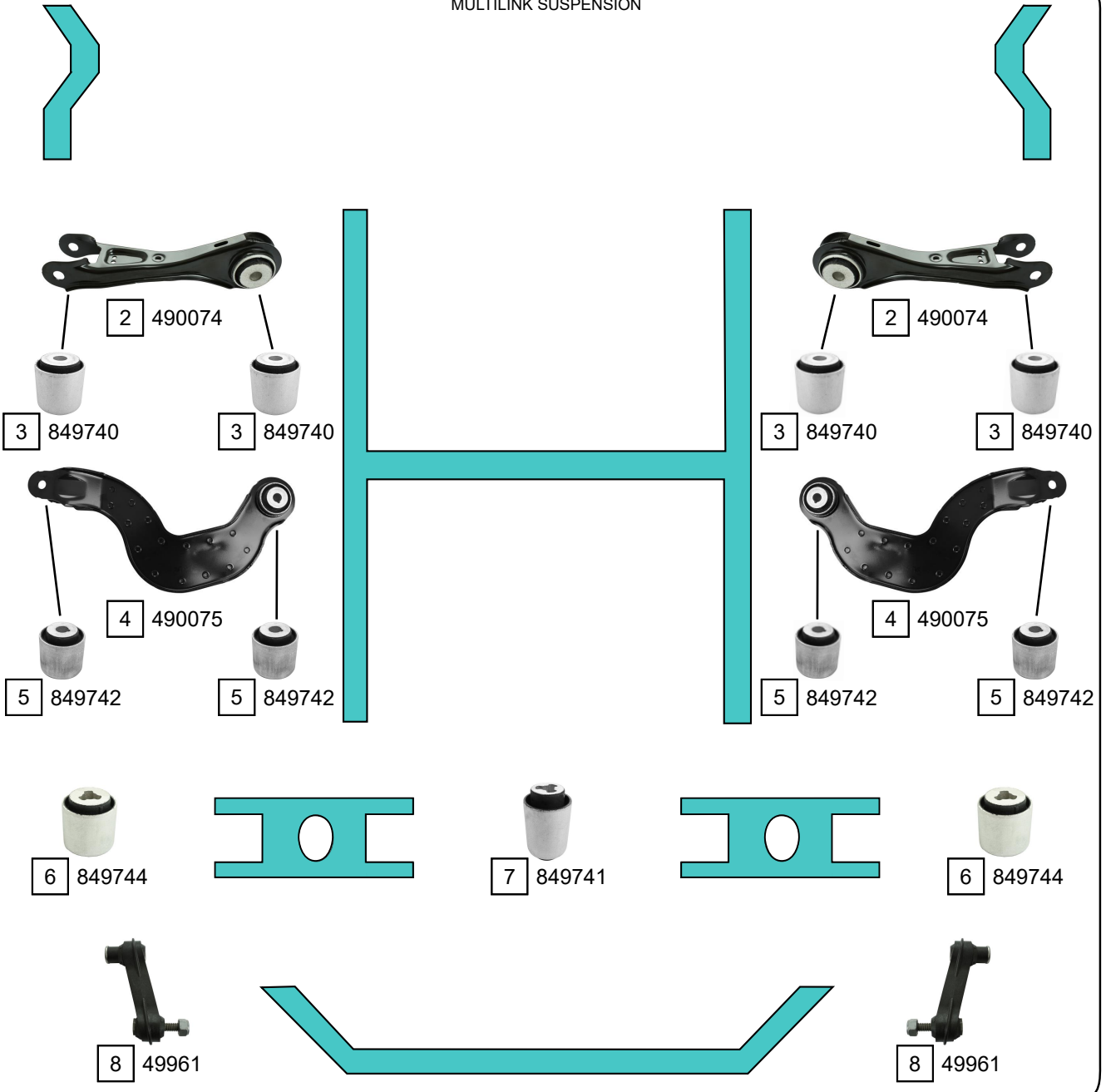
03/2018 ->
09/2018 ->



TORSION BEAM SUSPENSION



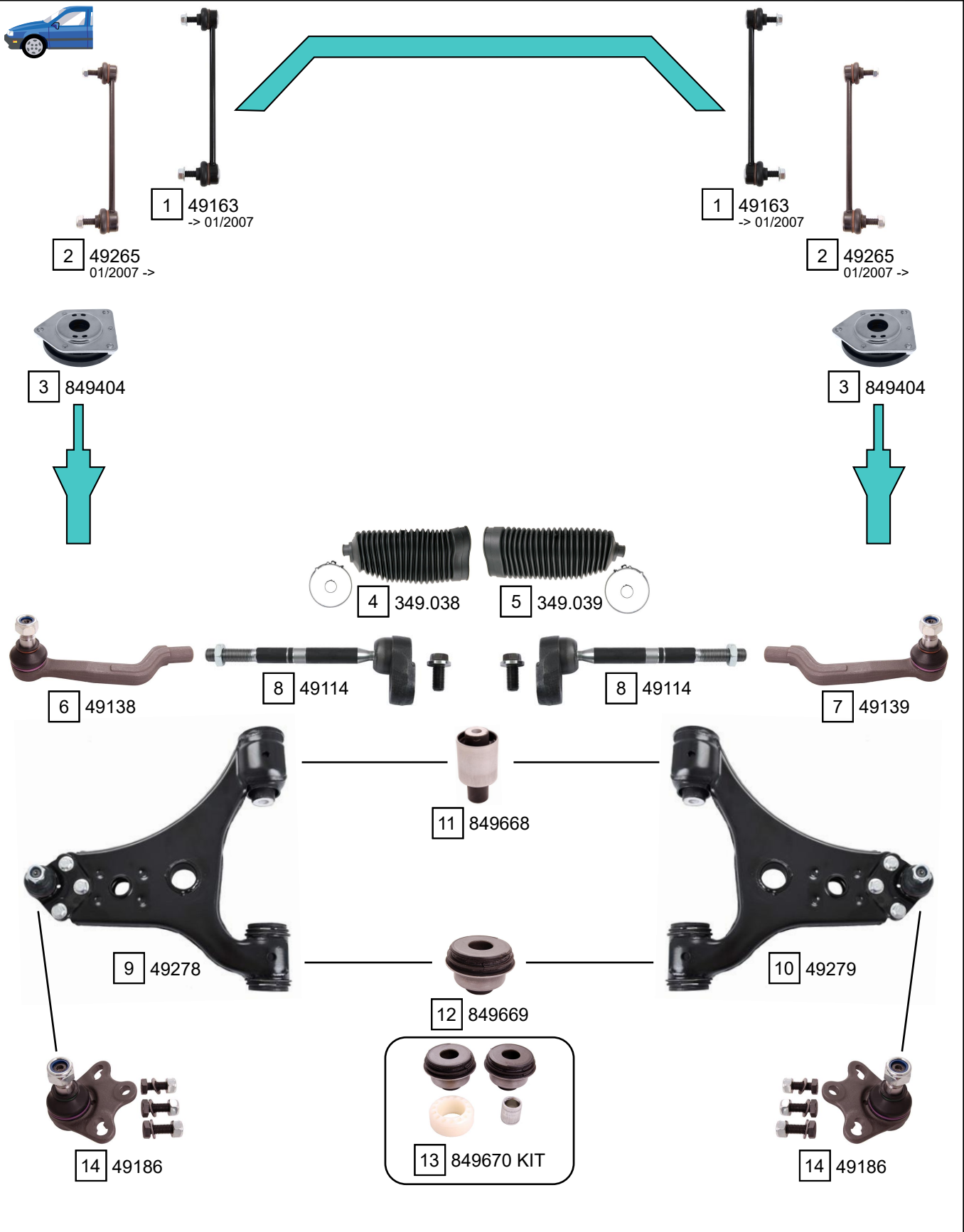
MULTILINK SUSPENSION



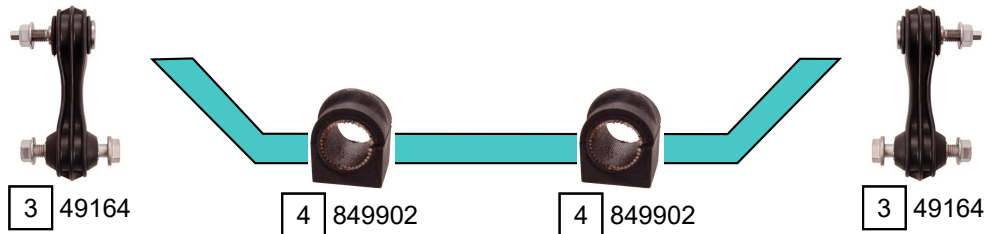
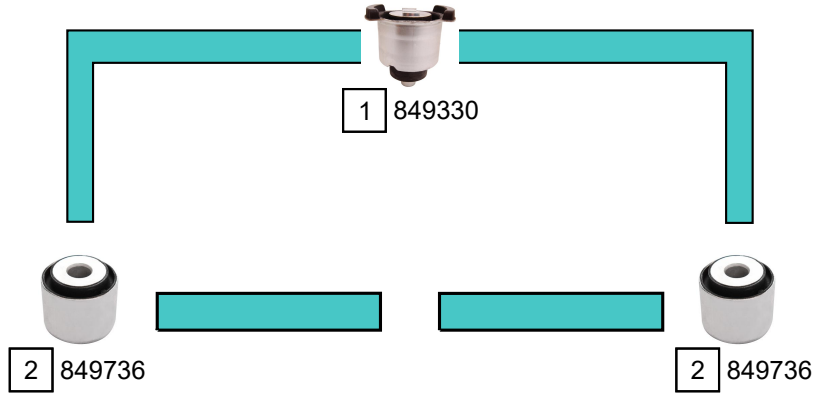
Ref.	Sidem Ref.	Description	OE-number	Measures	Ref.	Sidem Ref.	Description	OE-number	Measures
1	849349	mounting axle body	247 353 05 00	di:13.1 do:72	5	849742	silentblock for TCA	Part of	di:12.1 do:45.1 (*)
2	490074	track rod	247 350 18 00	L:206	6	849744	silentblock for TCA	247 352 21 00	di:12.1 do:45.1
3	849740	silentblock for TCA	247 352 17 00	di:12.2 do:45.1 (*)	7	849741	silentblock for TCA	247 352 19 00	di:12.2 do:45.2 (*)
4	490075	track rod	247 350 17 00	L:328	8	49961	stabiliser link rear	247 320 53 00	L:90

B-CLASS (W245)

03/2005 - 11/2011



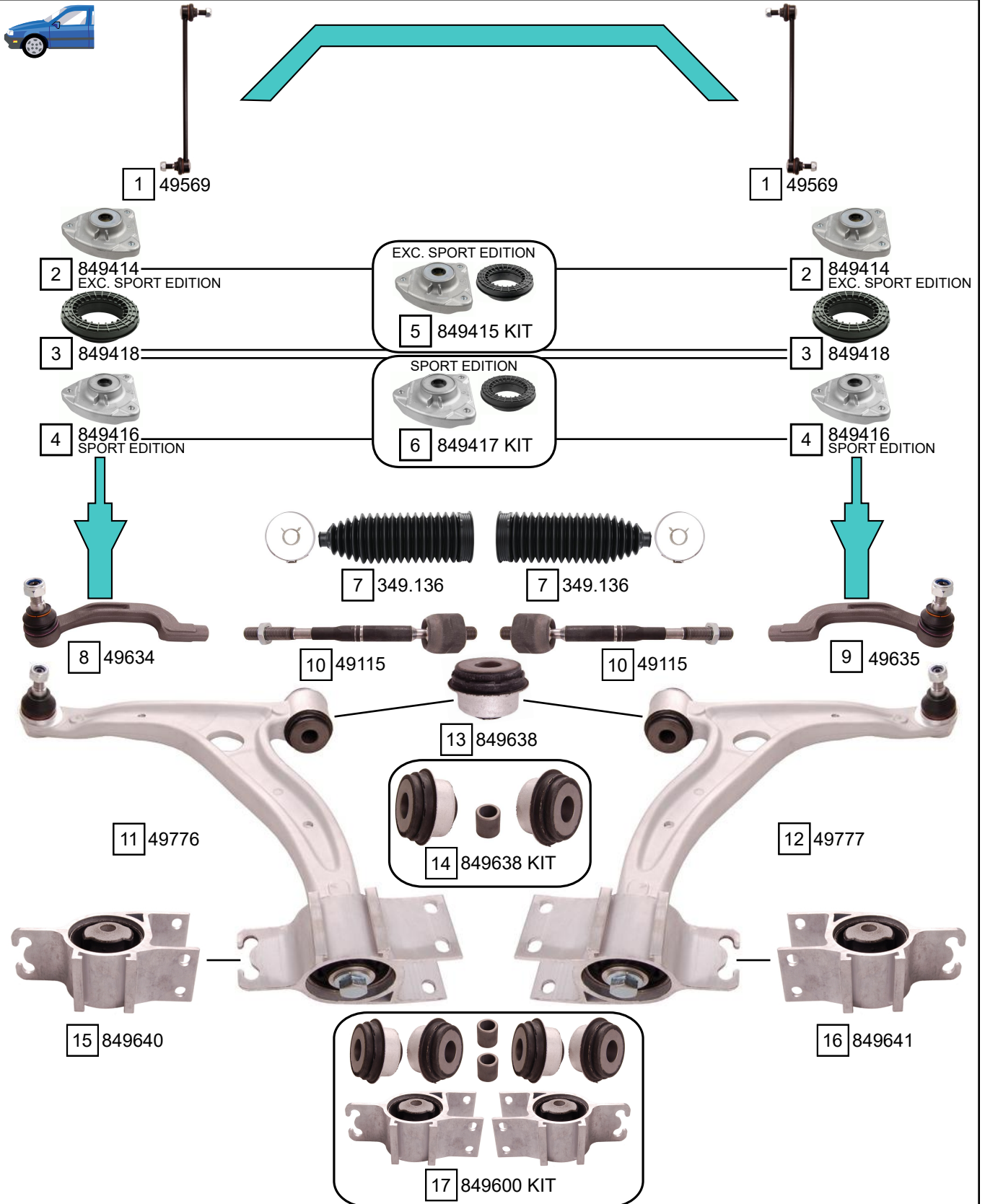
Ref.	Sidem Ref.	Description	OE-number	Measures	Ref.	Sidem Ref.	Description	OE-number	Measures
1	49163	stabiliser link	169 320 09 89	L:244	8	49114	axial joint	169 330 09 03	th:dia 17.7 L:202
2	49265	stabiliser link	169 320 13 89	L:244	9	49278	TCA left wbj	169 330 07 07	c:15.5
3	849404	strut mount	169 320 00 73	di:14.5 do:116 L:43	10	49279	TCA right wbj	169 330 08 07	c:15.5
4	349.038	steering rack gaiter	169 460 01 96	D:54 d:15 L:204	11	849668	silentblock for TCA	Part of	di:14.6 do:60 (*)
5	349.039	steering rack gaiter	169 460 03 96	D:85 d:15 L:242	12	849669	silentblock for TCA	Part of	di:20 do:46 (*)
6	49138	tie rod end left	169 330 05 03	c:16.6 th:FM14X1.5R	13	849670 KIT	silentblock kit	169 333 01 14 S1	
7	49139	tie rod end right	169 330 06 03	c:16.6 th:FM14X1.5R	14	49186	ball joint	169 333 01 27	c:15.4



Ref.	Sidem Ref.	Description	OE-number	Measures	Ref.	Sidem Ref.	Description	OE-number	Measures
1	849330	mounting axle body	Part of	di:17 do:100	3	49164	stabiliser link rear axle	169 320 05 89	L:87
2	849736	silentblock for TCA	Part of	di:12.1 do:40.20 (*)	4	849902	stabiliser mounting	210 326 08 81	di:18

B-CLASS (W246)

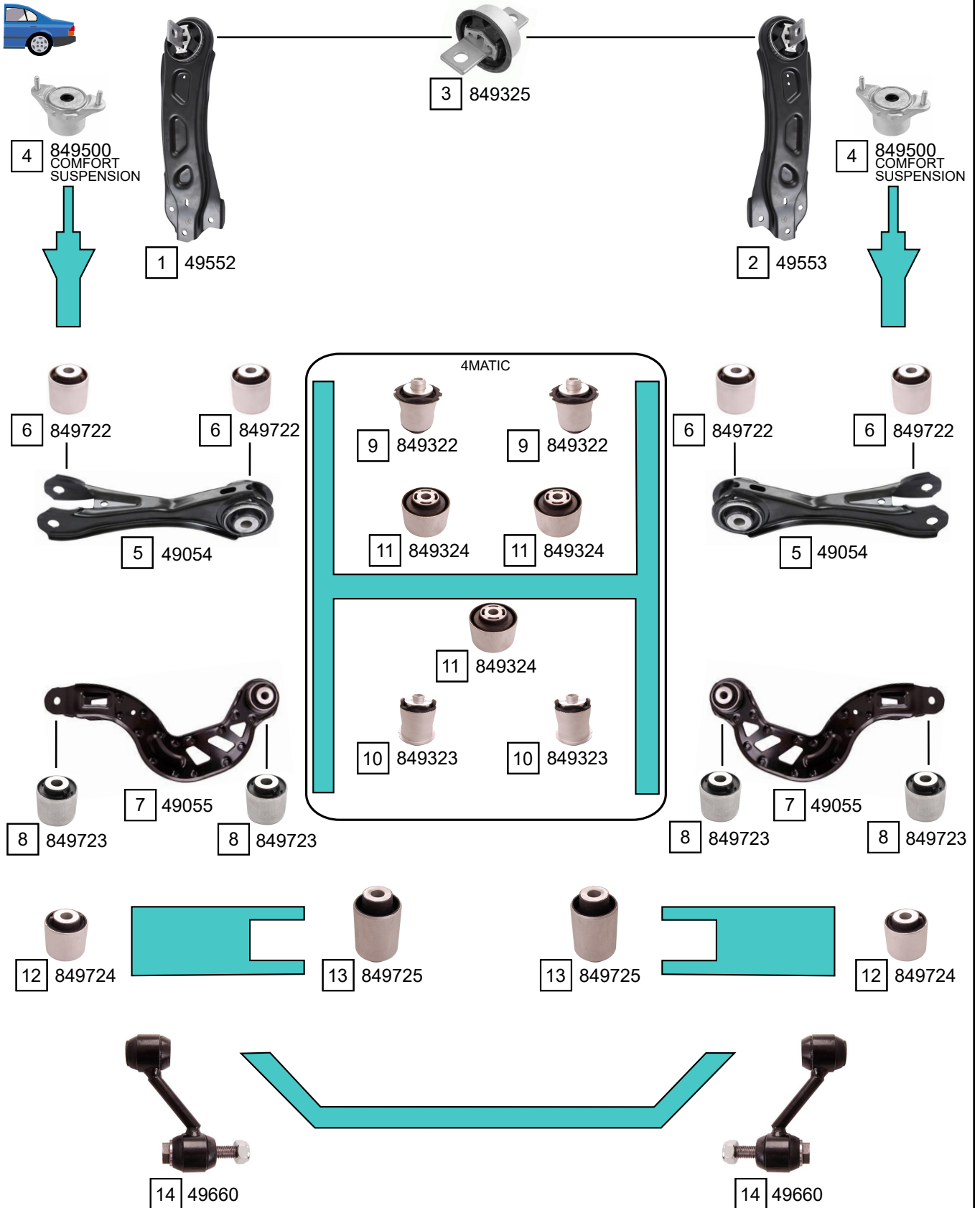
11/2011 - 12/2018



Ref.	Sidem Ref.	Description	OE-number	Measures	Ref.	Sidem Ref.	Description	OE-number	Measures
1	49569	stabiliser link	246 320 06 89	L:333	10	49115	axial joint	246 338 00 00	th:MM14X1.5R L:222
2	849414	strut mount	246 323 00 20	do:75.8 L:68	11	49776	TCA left wbj	246 330 47 00	c:18
3	849418	bearing	204 981 00 25	di:82 do:126.5 L:36.4	12	49777	TCA right wbj	246 330 48 00	c:18
4	849416	strut mount	176 320 01 73	di:15.2 do:75.4 L:77.8	13	849638	silentblock for TCA	246 333 01 14	di:19.8 do:46 (*)
5	849415 KIT	strut mount kit	246 323 00 20 S1	do:75.8 L:68	14	849638 KIT	silentblock kit	246 333 01 14 S1	
6	849417 KIT	strut mount kit	176 320 01 73 S1	di:15.2 L:77.8	15	849640	silentblock for TCA	246 333 01 00	di:14.2 do:70 (*)
7	349.136	steering rack gaiter	246 463 00 96	D:57.5 d:14.5 L:192	16	849641	silentblock for TCA	246 333 02 00	di:14.2 do:70 (*)
8	49634	tie rod end left	246 330 17 00	c:16.3 th:FM14X1.5R	17	849600 KIT	silentblock kit	246 333 01 00 S2	
9	49635	tie rod end right	246 330 18 00	c:16.3 th:FM14X1.5R					

B-CLASS (W246)

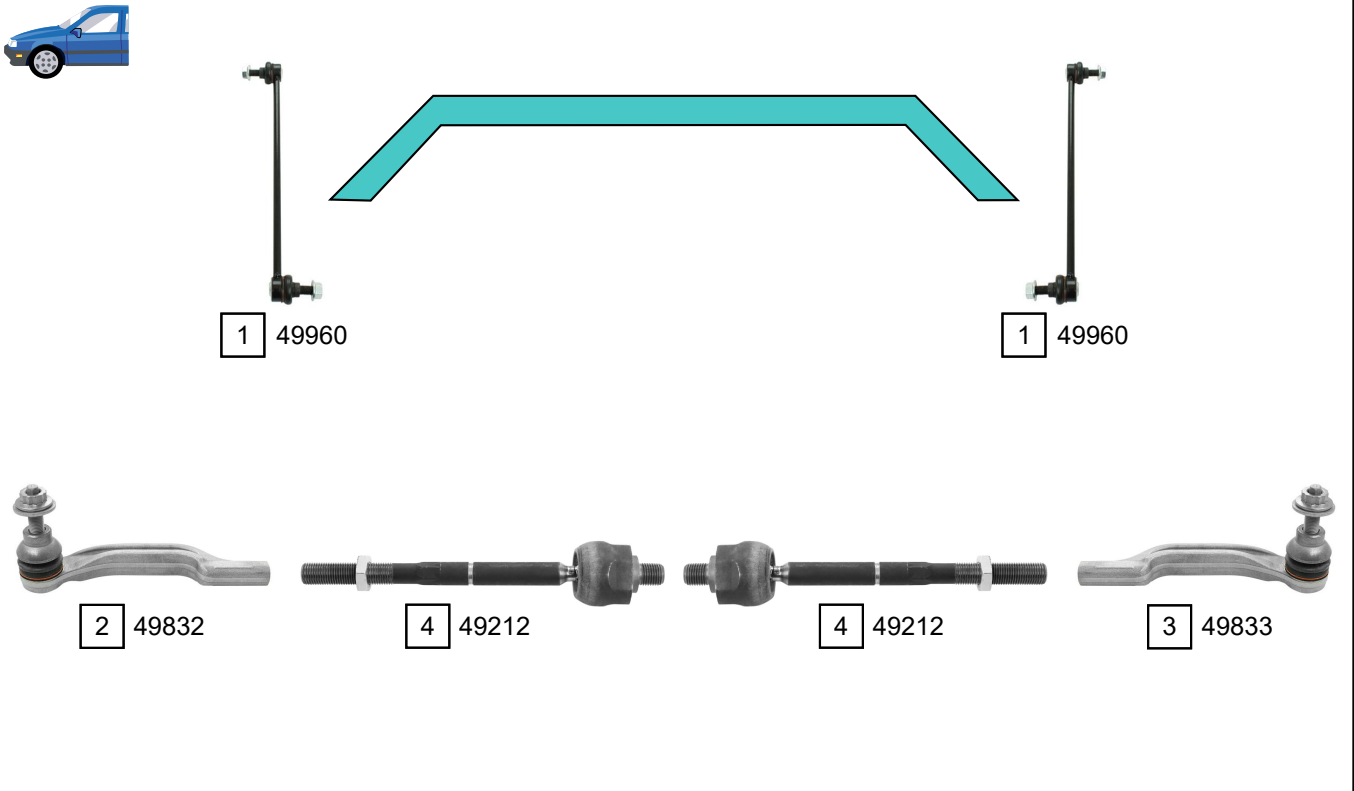
11/2011 - 12/2018



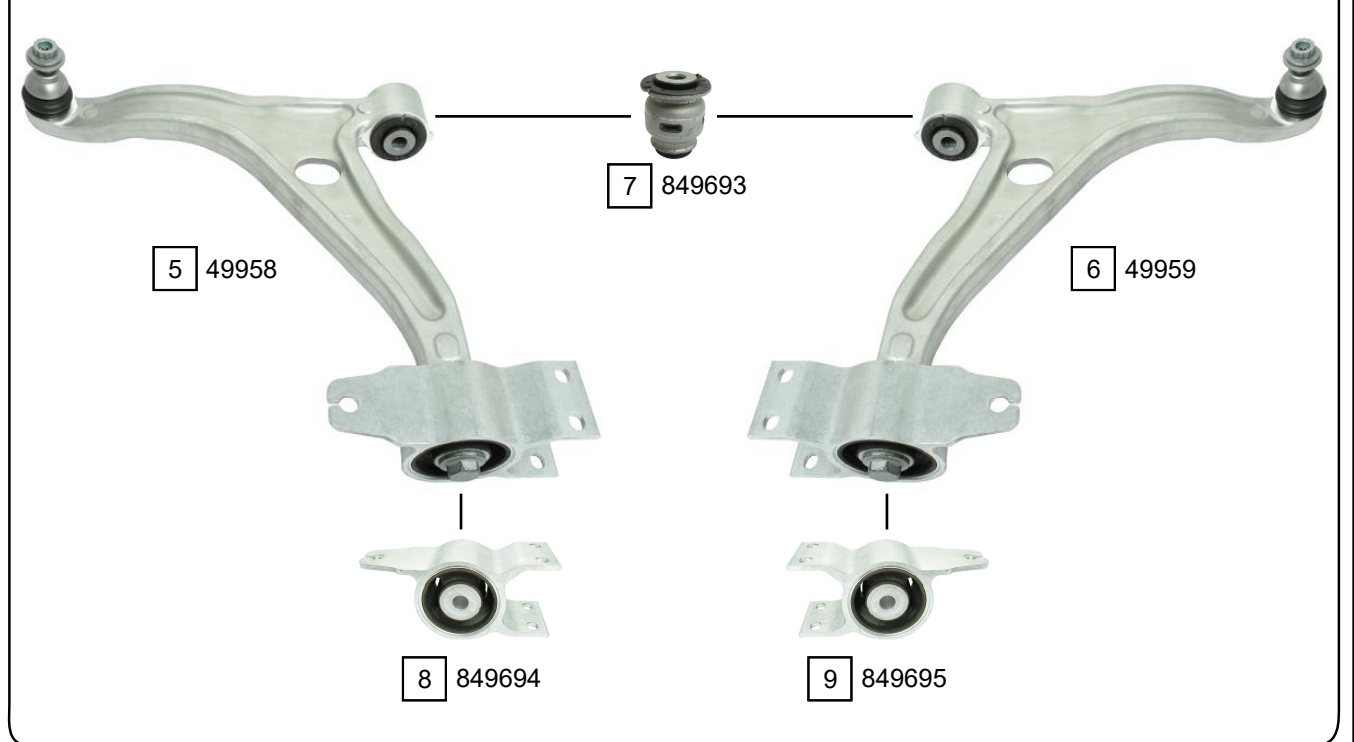
Ref.	Sidem Ref.	Description	OE-number	Measures	Ref.	Sidem Ref.	Description	OE-number	Measures
1	49552	TCA	246 350 04 06	L:390	8	849723	silentblock for TCA	246 352 01 65	di:12.1 do:45.2 (*)
2	49553	TCA	246 350 05 06	L:390	9	849322	mounting axle body	246 351 07 00	di:12.1 do:69
3	849325	mounting axle body	Part of	do:82	10	849323	mounting axle body	246 351 04 00	di:16 do:69
4	849500	strut mount	Part of	di:10.2 do:69.2 L:60.6	11	849324	mounting axle body	246 351 02 00	di:14.7 do:74.1
5	49054	track rod	246 350 00 53	L:206	12	849724	silentblock for TCA	246 352 09 65	di:12 do:45 (*)
6	849722	silentblock for TCA	246 352 02 65	di:12 do:45 (*)	13	849725	silentblock for TCA	246 352 01 00	di:12.1 do:45 (*)
7	49055	track rod	246 350 10 06	L:328	14	49660	stabiliser link rear axle	246 320 04 89	L:80

B-CLASS (W247)

12/2018 ->



STANDARD SUSPENSION



Ref.	Sidem Ref.	Description	OE-number	Measures	Ref.	Sidem Ref.	Description	OE-number	Measures
1	49960	stabiliser link	247 320 42 00	L:339	6	49959	TCA right wbj	247 330 06 00	c:26.4
2	49832	tie rod end left	247 330 85 01	c:26.3 th:FM14X1.5R	7	849693	silentblock for TCA	Part of	di:14.3 do:50.2 (*)
3	49833	tie rod end right	247 330 82 01	c:26.3 th:FM14X1.5R	8	849694	silentblock for TCA	247 333 05 00	di:14.3 (*)
4	49212	axial joint	177 338 00 00	th:MM14X1.5R L:208	9	849695	silentblock for TCA	247 333 06 00	di:14.3 (*)
5	49958	TCA left wbj	247 330 05 00	c:26.4					

B-CLASS (W247)

12/2018 ->



TORSION BEAM SUSPENSION



1 849349



1 849349

MULTILINK SUSPENSION



2 490074



3 849740



3 849740



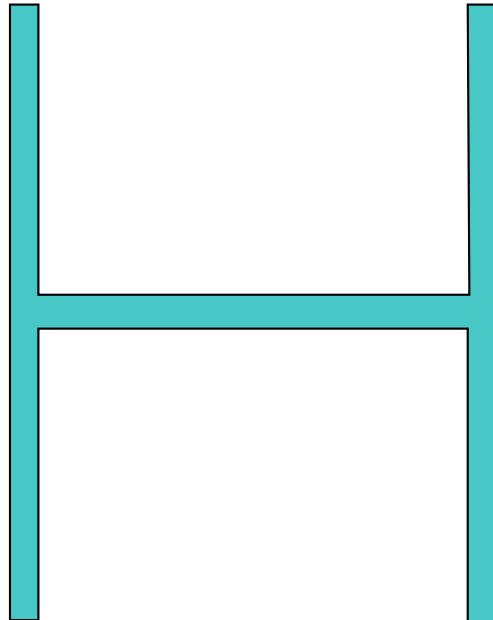
4 490075



5 849742



5 849742



2 490074



3 849740



3 849740



4 490075



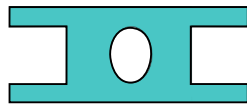
5 849742



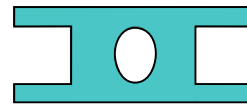
5 849742



7 849744



6 849741



7 849744



8 49961



8 49961

Ref.	Sidem Ref.	Description	OE-number	Measures	Ref.	Sidem Ref.	Description	OE-number	Measures
1	849349	mounting axle body	247 353 05 00	di:13.1 do:72	5	849742	silentblock for TCA	Part of	di:12.1 do:45.1 (*)
2	490074	track rod	247 350 18 00	L:206	6	849741	silentblock for TCA	247 352 19 00	di:12.2 do:45.2 (*)
3	849740	silentblock for TCA	247 352 17 00	di:12.2 do:45.1 (*)	7	849744	silentblock for TCA	247 352 21 00	di:12.1 do:45.1
4	490075	track rod	247 350 17 00	L:328	8	49961	stabiliser link rear	247 320 53 00	L:90

BM309 LF408G, LKO408G, L408, L408K, L408DG
BM309 LKO508DG
BM309 L406DG, LK406DG, DKO406DG
BM310 L608D, LK608D, LF608D

BM309 LF409, LKO409, L409, LK409
BM309 L407D, LK407D, LKO407D
BM309 LF410, L410, LK410
BM310 LF508D



1 849801



1 849801



2 50330
(1)



3 50335

(1) FA730.502 Diesel CH42490->, Gasoline CH2775-> / FA730.503 CH48631-> /
FA730.531 CH2775-> / FA730.504 CH4807-> / FA730.534 / FA730.535 / FA730.506

Ref.	Sidem Ref.	Description	OE-number	Measures	Ref.	Sidem Ref.	Description	OE-number	Measures
1	849801	stabiliser mounting	309 320 00 73	di:12.1	3	50335	tie rod end	000 460 21 48	c:16.2 th:MM22x1.5R
2	50330	tie rod end left	000 330 27 35	c:16.2 th:MM24X1.5R					

BM314 LP608, LPS608, LPK608, LPKF608, LKO608
BM314 LP709, LPS709, LPK709, LPKO709, LKO709

BM318 LP813, LPK813, LPS813, LPL813, LPLS813,
LPO813

BM318 LP811, LPK811, LPS811, LPO811



c:16

1 50536

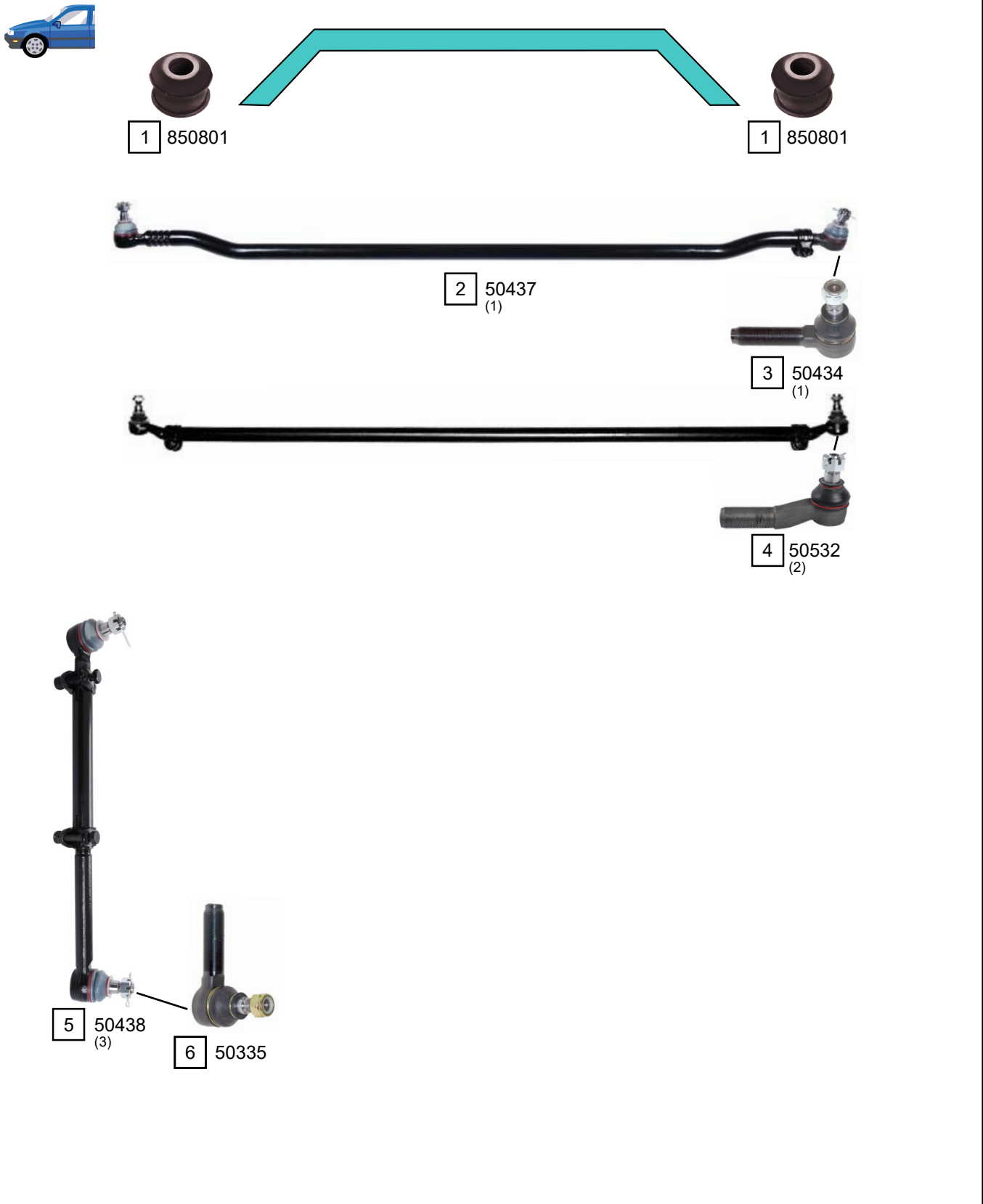


c:18

2 50538

Ref.	Sidem Ref.	Description	OE-number	Measures	Ref.	Sidem Ref.	Description	OE-number	Measures
1	50536	tie rod end	000 330 10 35	c:16.2 th:MM24x1.5R	2	50538	tie rod end	000 330 03 35	c:18.1 th:MM24x1.5R

BM601 207D/ 208/ 209D/ 210
BM602 407D/ 409D/ 410
BM611 407D/ 409D/ 410



(1) EXC. Axle FA 730.403-FA 730.455
(2) Axle FA 730.403-FA 730.455
(3) 207,208,210 CHAS166249-> / MS CHAS152900-> / PS CHAS152684-> / 209,309,407,409,410

Ref.	Sidem Ref.	Description	OE-number	Measures	Ref.	Sidem Ref.	Description	OE-number	Measures
1	850801	stabiliser mounting	601 321 03 50	di:12	4	50532	tie rod end right	602 330 00 35	c:16.2 th:MM24x1.5L
2	50437	tie rod	602 330 00 03	c:16.2 L:1356	5	50438	drag link	601 460 05 05	L:470
3	50434	tie rod end right	601 330 52 35	c:16.2 th:MM20X1.5L	6	50335	tie rod end	000 460 21 48	c:16.2 th:MM22x1.5R

BM667 507D, 510
BM669 709D, 711D

BM668 609D
BM670 809D, 811D



C 16

1 50433



C 16

2 50434



C 20

3 50836



C 16

4 50536

EXC. 809, 811

Ref.	Sidem Ref.	Description	OE-number	Measures	Ref.	Sidem Ref.	Description	OE-number	Measures
1	50433	tie rod end left	601 330 04 35	c:16.2 th:MM20X1.5R	3	50836	tie rod end	000 330 99 35	c:19.9 th:MM24x1.5R
2	50434	tie rod end right	601 330 52 35	c:16.2 th:MM20X1.5L	4	50536	tie rod end	000 330 10 35	c:16.2 th:MM24x1.5R

C123-W123-T123

01/1976 - 12/1985



1 49134 C
LHD

-> 08/1982



2 49236



3 49237



3 49237



2 49236

08/1982 ->



4 49035



5 49034



5 49034



4 49035

6 49230

6 49230



7 49282

UPPER



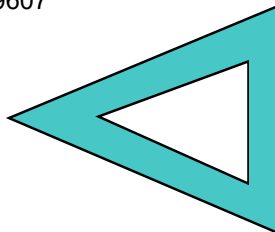
8 49283

9 849607

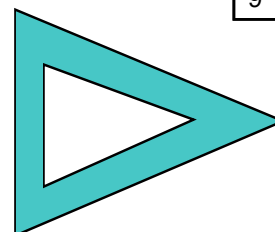
9 849607



10 49183



LOWER



10 49183



11 R10115



11 R10115



12 49091



12 49091

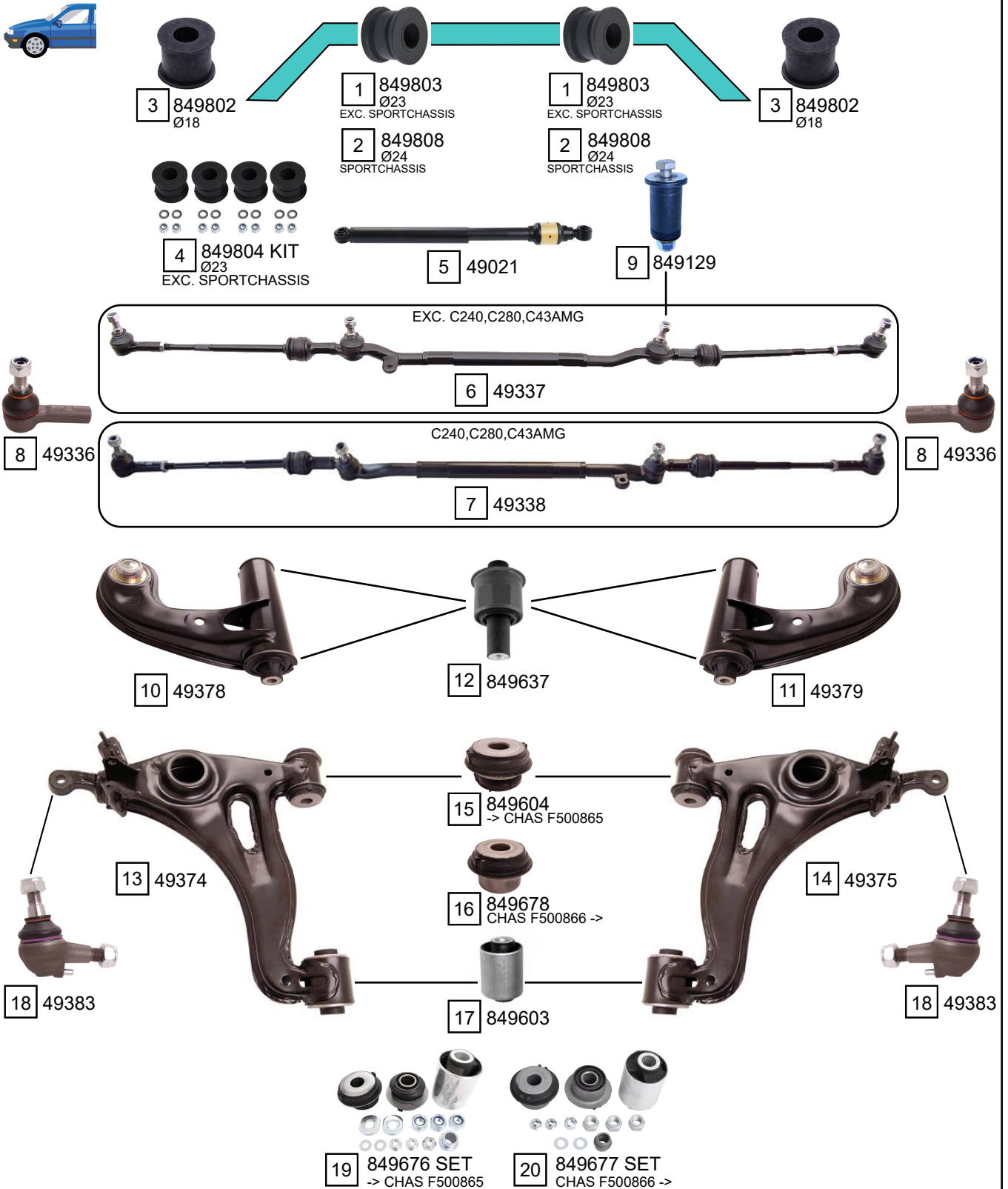
Ref.	Sidem Ref.	Description	OE-number	Measures	Ref.	Sidem Ref.	Description	OE-number	Measures
1	49134 C	tie rod center	123 460 15 05	L:480	7	49282	TCA left wbj	123 330 46 07	c:13.9
2	49236	tie rod end	123 338 02 10	c:12.7 th:MM16X1.5L	8	49283	TCA right wbj	123 330 47 07	c:13.9
3	49237	tie rod end	123 338 01 10	c:12.7 th:MM16X1.5R	9	849607	silentblock for TCA	116 333 40 14	di:16.4 do:40.5 (*)
4	49035	tie rod end	000 338 50 10	c:12.7 th:MM14X1.5L	10	49183	ball joint lower	116 333 09 27	c:18.2 do:45.4
5	49034	tie rod end	000 338 52 10	c:12.7 th:MM14X1.5R	11	R10115	mounting tool ring long ø60	SEE PAGE III	di:52 do:60
6	49230	tie rod	123 330 18 03	c:12.7 L:322	12	49091	stabiliser link	115 320 15 89	L:110

MERCEDES

C-CLASS

C-CLASS (W202)
C-CLASS (S202)

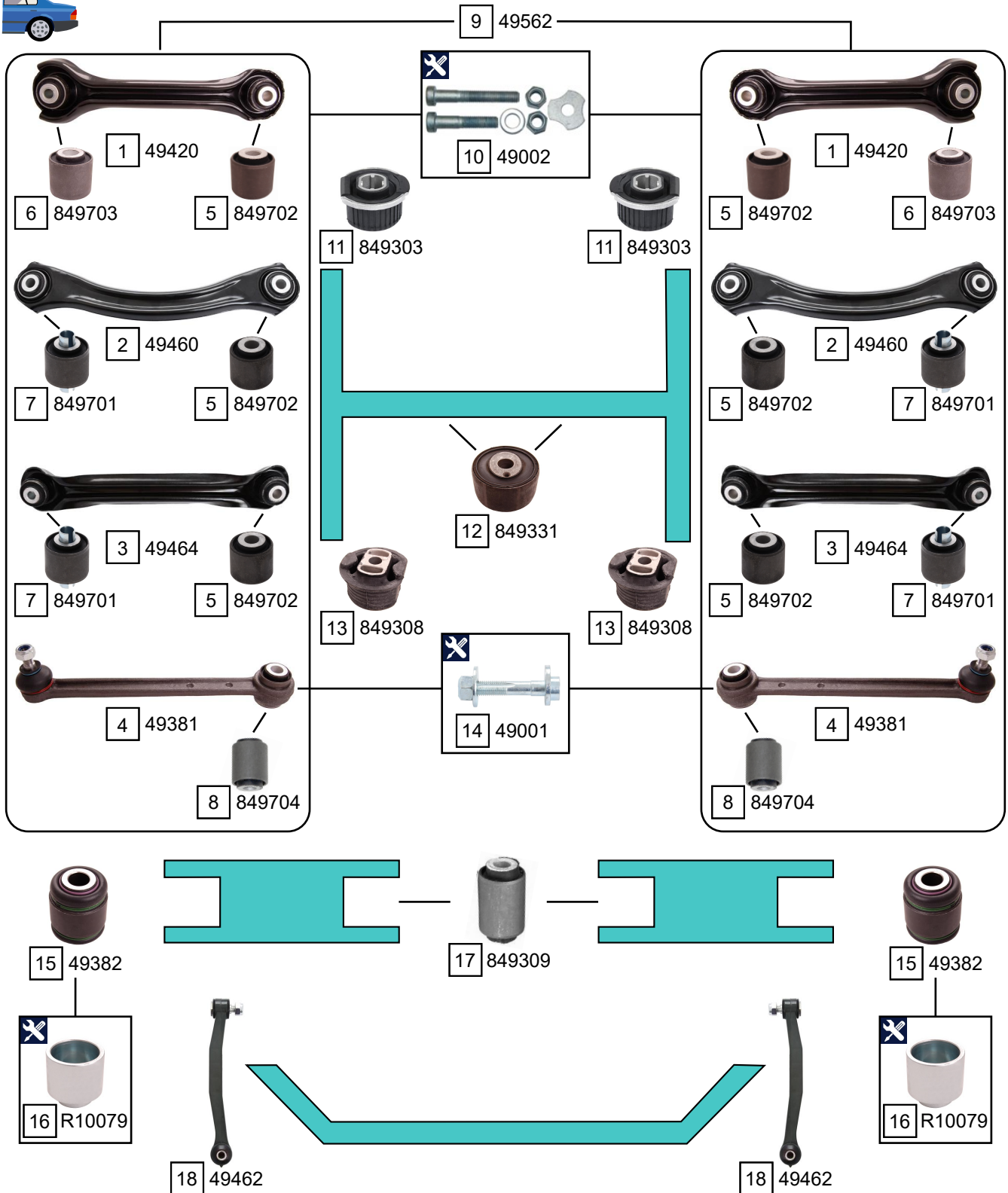
03/1993 - 05/2000
06/1996 - 03/2001



Ref.	Sidem Ref.	Description	OE-number	Measures	Ref.	Sidem Ref.	Description	OE-number	Measures
1	849803	stabiliser mounting	202 323 02 85	di:22.8	11	49379	TCA right wbj	210 330 88 07	c:12.6
2	849808	stabiliser mounting	124 323 54 85	di:24	12	849637	silentblock for TCA	Part of	di:10.2 do:49 (*)
3	849802	stabiliser mounting	124 323 49 85	di:18	13	49374	TCA left wobj	170 330 01 07	c:15.2
4	849804 KIT	stabiliser mounting kit	202 323 02 85 S1		14	49375	TCA right wobj	170 330 02 07	c:15.2
5	49021	steering damper	124 463 04 32		15	849604	silentblock for TCA	202 333 67 14	di:20.1 do:50.2 (*)
6	49337	tie rod	202 460 04 05	L:1336	16	849678	silentblock for TCA	Part of	di:19.8 do:50.2 (*)
7	49338	tie rod	202 460 05 05	c:14.6 L:1318	17	849603	silentblock for TCA	202 333 64 14	di:20.1 do:60 (*)
8	49336	tie rod end	001 330 77 35	c:14.6 th:FM12X1.25R	18	49383	ball joint	211 330 03 35	c:15.9
9	849129	repair kit idler arm	202 460 03 19		19	849676 SET	silentblock kit	202 330 00 75	
10	49378	TCA left wbj	210 330 87 07	c:12.6	20	849677 SET	silentblock kit	170 330 00 75	

C-CLASS (W202)
C-CLASS (S202)

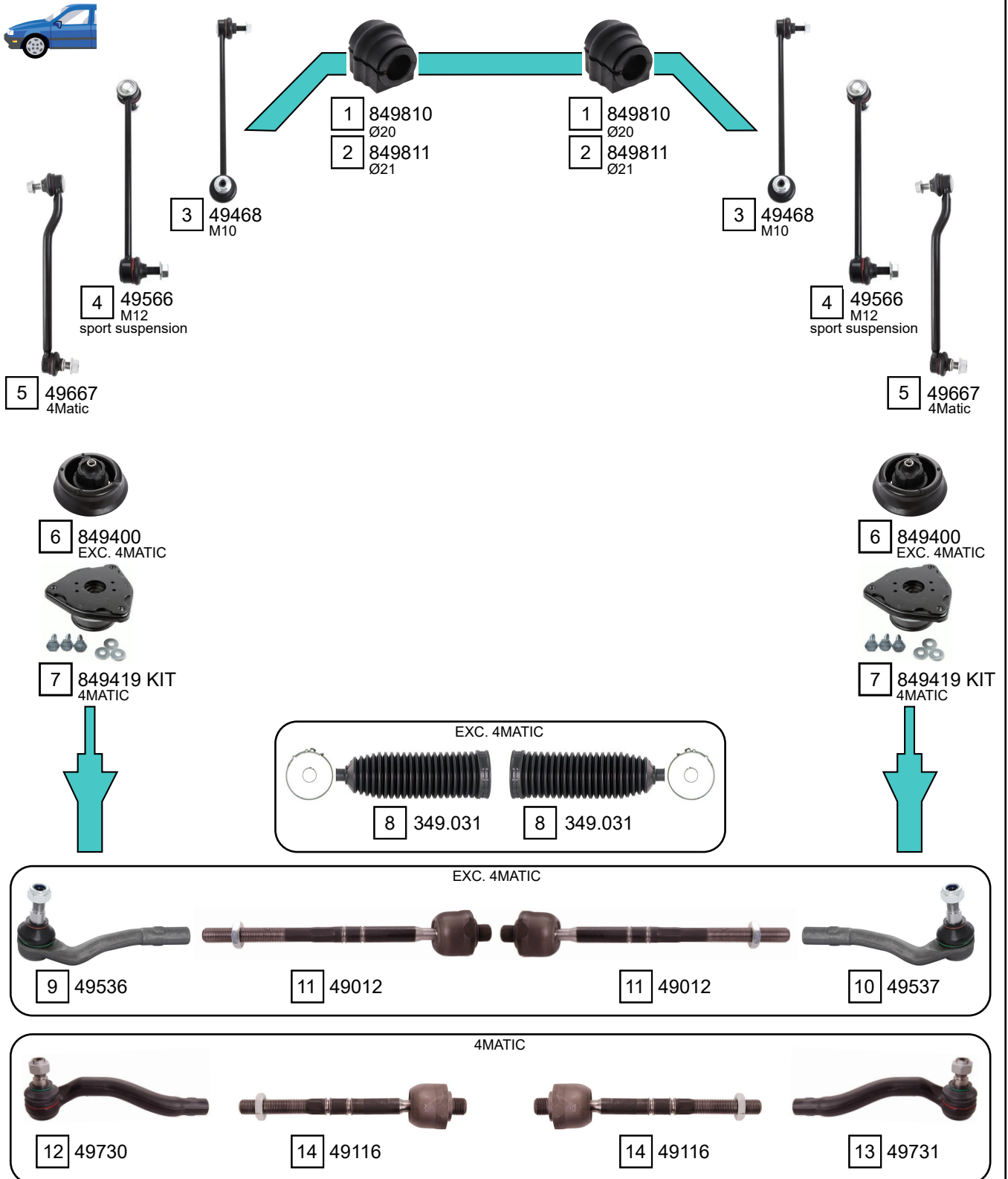
03/1993 - 05/2000
06/1996 - 03/2001



Ref.	Sidem Ref.	Description	OE-number	Measures	Ref.	Sidem Ref.	Description	OE-number	Measures
1	49420	track rod	210 350 33 06	L:247	10	49002	mounting kit	210 350 45 06	
2	49460	track rod	210 350 34 06	L:299	11	849303	mounting axle body	124 350 03 41	do:66
3	49464	track rod	210 350 38 06	L:314	12	849331	mounting axle body	202 351 11 42	di:15 do:66
4	49381	stabiliser link rear axle	210 350 21 53	L:245	13	849308	mounting axle body	202 350 34 08	di:18.3 do:82
5	849702	silentblock for TCA	Part of	di:12.1 do:36.2 (*)	14	49001	mounting kit	140 350 11 70	th:M12x1.5R
6	849703	silentblock for TCA	Part of	di:13.1 do:36.2 (*)	15	49382	ball joint rear	204 352 00 27	di:14.2 do:40
7	849701	silentblock for TCA	124 352 35 65	di:12.8 do:36.1 (*)	16	R10079	mounting tool ring ø46 ø38	SEE PAGE III	di:38 do:46
8	849704	silentblock for TCA	201 352 88 65	di:12.2 do:31.5 (*)	17	849309	silentblock for TCA	202 352 01 65	di:12 do:33 (*)
9	49562	set TCA	210 350 21 53 S1		18	49462	stabiliser link rear axle	124 320 02 89	L:200

C-CLASS (W203)
C-CLASS (S203)
C-CLASS (CL203)

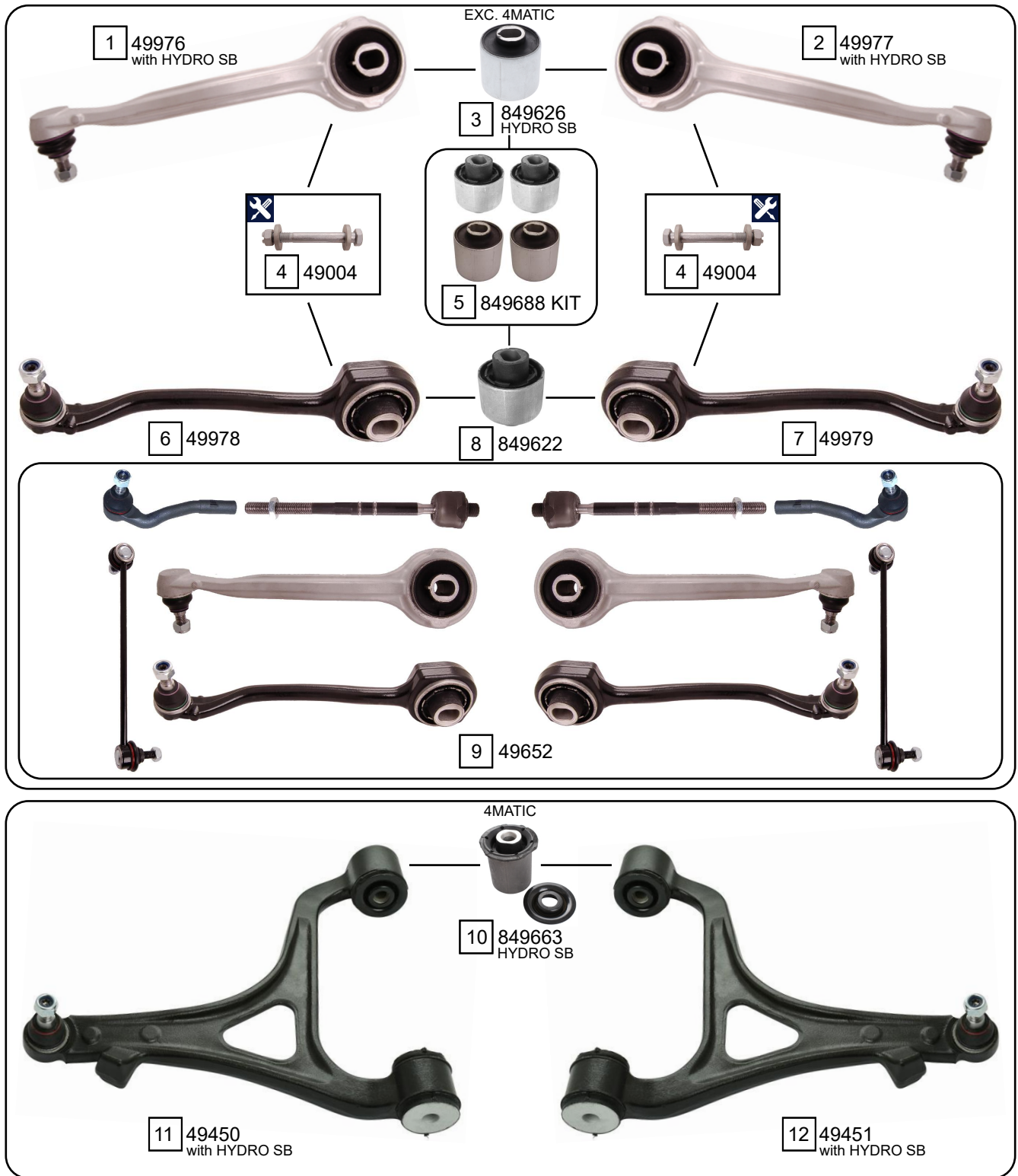
05/2000 - 01/2007
03/2001 - 07/2007
03/2001 - 05/2008



Ref.	Sidem Ref.	Description	OE-number	Measures	Ref.	Sidem Ref.	Description	OE-number	Measures
1	849810	stabiliser mounting	203 323 20 85	di:20	8	349.031	steering rack gaiter	171 463 00 96	D:64 d:14 L:213
2	849811	stabiliser mounting	203 323 21 85	di:21	9	49536	tie rod end left	203 330 39 03	c:16 th:FM14X1.5R
3	49468	stabiliser link	203 320 28 89	L:276	10	49537	tie rod end right	203 330 40 03	c:16 th:FM14X1.5R
4	49566	stabiliser link	203 320 29 89	L:277	11	49012	axial joint	230 338 00 15	th:MM16X1.5R L:244
5	49667	stabiliser link	203 320 30 89	L:289	12	49730	tie rod end left	203 330 33 03	c:16 th:FM14X1.5R
6	849400	strut mount	203 320 02 73	do:235	13	49731	tie rod end right	203 330 34 03	c:16 th:FM14X1.5R
7	849419 KIT	strut mount kit	203 320 08 73 S1	di:14.8 L:58.8	14	49116	axial joint	203 338 02 15	th:MM16X1.5R L:193

C-CLASS (W203)
C-CLASS (S203)
C-CLASS (CL203)

05/2000 - 01/2007
03/2001 - 07/2007
03/2001 - 05/2008



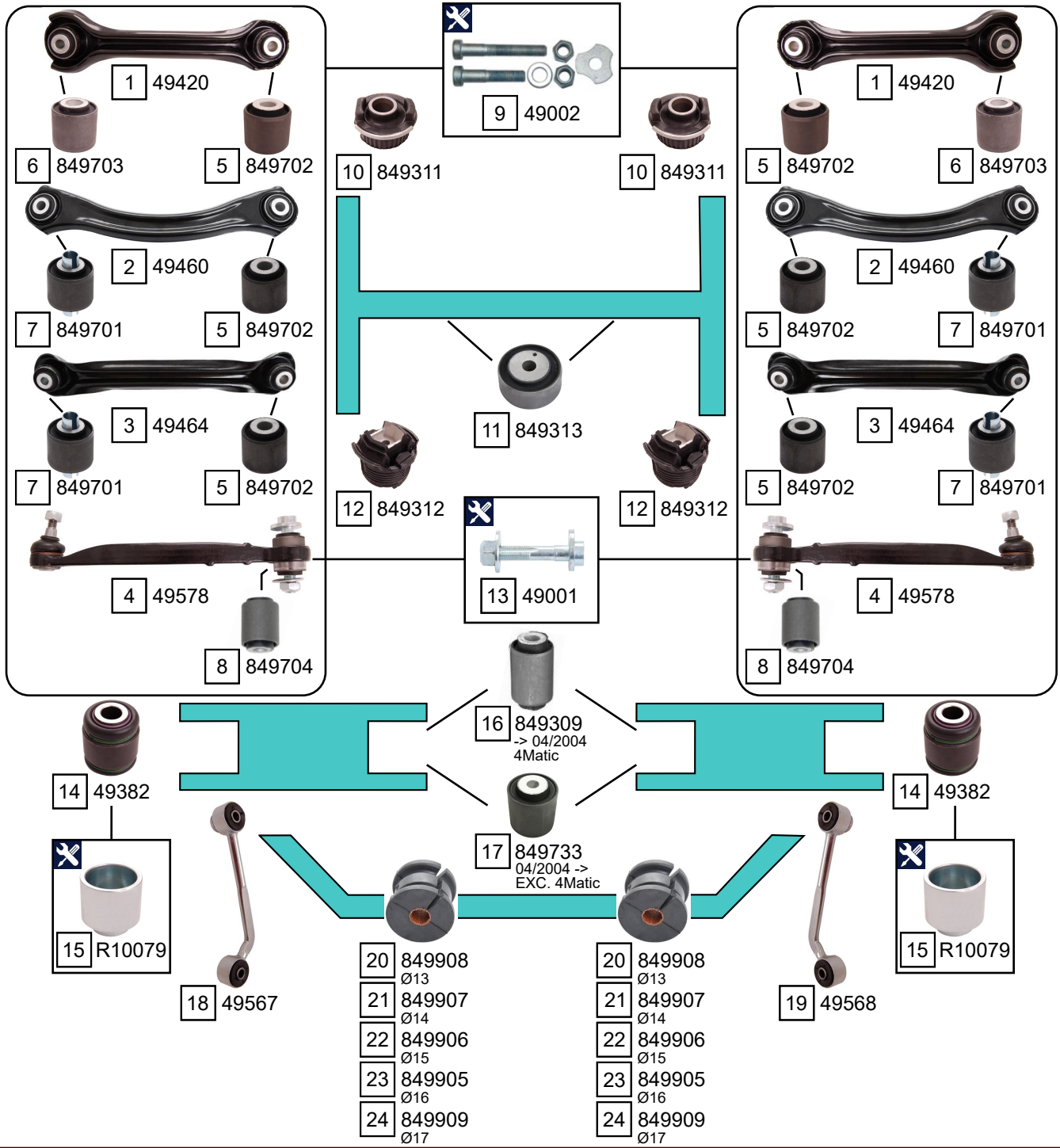
Ref.	Sidem Ref.	Description	OE-number	Measures	Ref.	Sidem Ref.	Description	OE-number	Measures
1	49976	TCA left wbj	204 330 43 11 S1	c:16.3	7	49979	TCA right wbj	204 330 20 11	c:16.3
2	49977	TCA right wbj	204 330 44 11 S1	c:16.3	8	849622	silentblock for TCA	203 333 09 14	di:10.2 do:70.5 (*)
3	849626	silentblock for TCA	203 333 10 14	di:17.4 do:70.2 (*)	9	49652	set TCA + stab. link + tr	204 330 19 11 S3	
4	49004	mounting kit	000 330 00 18	th:M14X.15 L:120	10	849663	silentblock for TCA	Part of	di:14.9 do:60.2 (*)
5	849688 KIT	silentblock kit	203 333 09 14 S1		11	49450	TCA left wbj	203 330 03 07	c:16.2
6	49978	TCA left wbj	204 330 19 11	c:16.3	12	49451	TCA right wbj	203 330 04 07	c:16.2

MERCEDES

C-CLASS

C-CLASS (W203)
C-CLASS (S203)
C-CLASS (CL203)

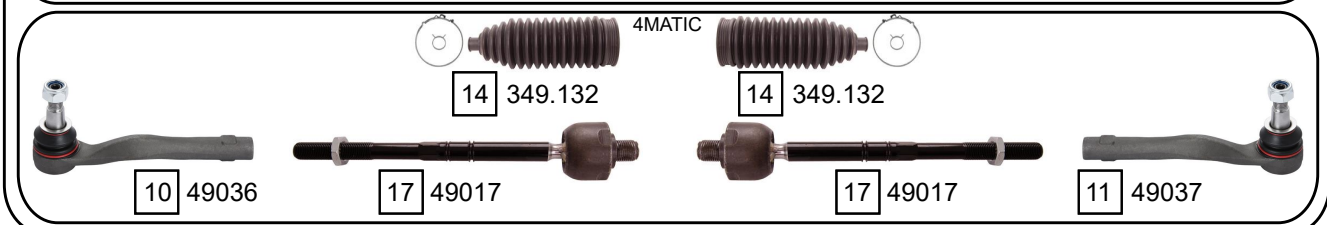
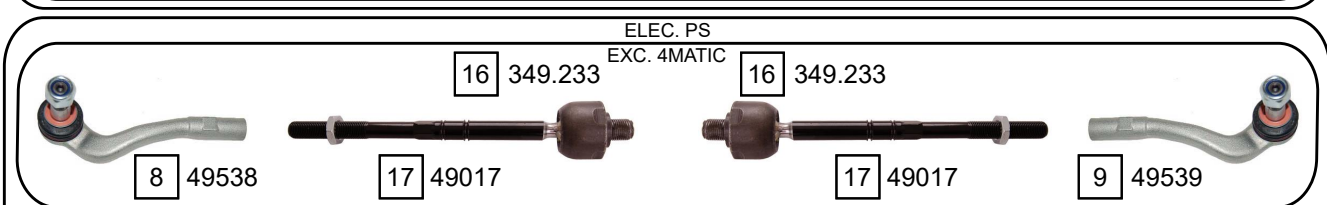
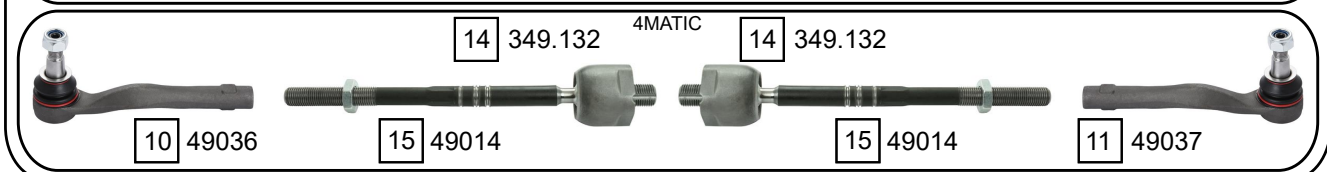
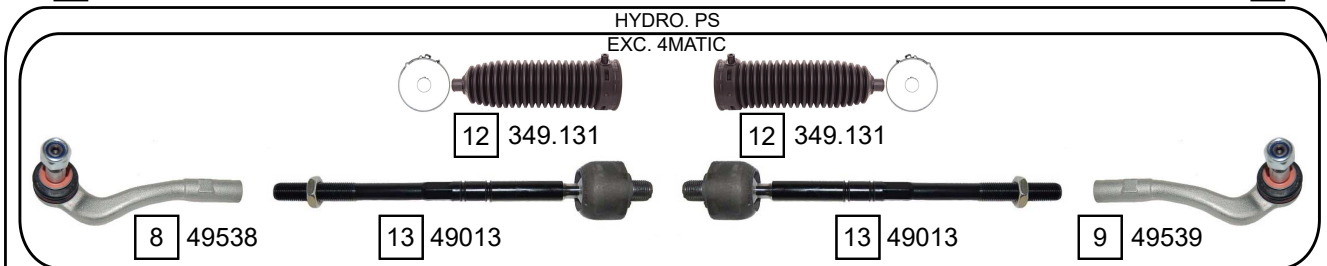
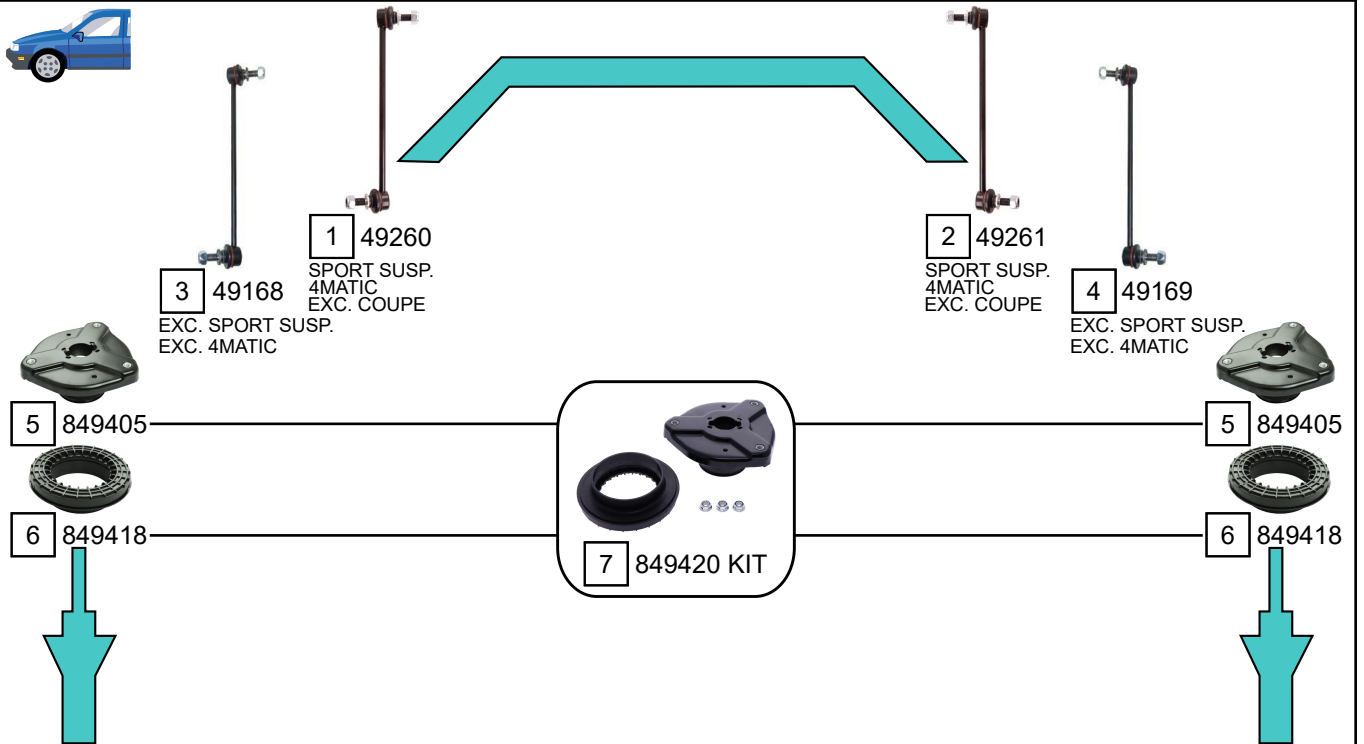
05/2000 - 01/2007
03/2001 - 07/2007
03/2001 - 05/2008



Ref.	Sidem Ref.	Description	OE-number	Measures	Ref.	Sidem Ref.	Description	OE-number	Measures
1	49420	track rod	210 350 33 06	L:247	13	49001	mounting kit	140 350 11 70	th:M12x1.5R
2	49460	track rod	210 350 34 06	L:299	14	49382	ball joint rear	204 352 00 27	di:14.2 do:40
3	49464	track rod	210 350 38 06	L:314	15	R10079	mounting tool ring ø46 ø38	SEE PAGE III	di:38 do:46
4	49578	TCA	203 350 07 53	c:11.3	16	849309	silentblock for TCA	202 352 01 65	di:12 do:33 (*)
5	849702	silentblock for TCA	Part of	di:12.1 do:36.2 (*)	17	849733	silentblock for TCA	203 352 00 65	di:12.1 do:51.4 (*)
6	849703	silentblock for TCA	Part of	di:13.1 do:36.2 (*)	18	49567	stabiliser link left	203 320 07 89	L:184
7	849701	silentblock for TCA	124 352 35 65	di:12.8 do:36.1 (*)	19	49568	stabiliser link right	203 320 08 89	L:184
8	849704	silentblock for TCA	201 352 88 65	di:12.2 do:31.5 (*)	20	849908	stabiliser mounting	203 326 03 81	di:13
9	49002	mounting kit	210 350 45 06		21	849907	stabiliser mounting	203 326 02 81	di:14
10	849311	mounting axle body	171 351 01 42	di:17.5 do:77	22	849906	stabiliser mounting	203 326 01 81	di:15
11	849313	mounting axle body	129 351 21 42	di:14.4 do:66.2	23	849905	stabiliser mounting	203 326 00 81	di:16
12	849312	mounting axle body	203 351 01 42	di:13.2 do:91	24	849909	stabiliser mounting	203 326 08 81	di:17

C-CLASS (W204)
C-CLASS (S204)
C-CLASS (C204)

01/2007 - 01/2014
08/2007 - 08/2014
06/2011 - 10/2015



Ref.	Sidem Ref.	Description	OE-number	Measures	Ref.	Sidem Ref.	Description	OE-number	Measures
1	49260	stabiliser link left	204 320 07 89	L:290	10	49036	tie rod end left	204 330 33 03	c:16.6 th:FM14x1.5R
2	49261	stabiliser link right	204 320 22 89	L:290	11	49037	tie rod end right	204 330 34 03	c:16.6 th:FM14x1.5R
3	49168	stabiliser link left	204 320 37 89	L:306	12	349.131	steering rack gaiter	204 463 02 96	D:63 d:14 L:230
4	49169	stabiliser link right	204 320 38 89	L:306	13	49013	axial joint	204 338 04 15	th:MM16x1.5R L:261
5	849405	strut mount	204 320 12 73	di:15.3 do:64 L:67	14	349.132	steering rack gaiter	204 463 03 96	D:56 d:13 L:190
6	849418	bearing	204 981 00 25	di:82 do:126.5 L:36.4	15	49014	axial joint	204 338 05 15	th:MM16x1.5R L:243
7	849420 KIT	strut mount kit	204 320 12 73 S1	di:15.3	16	349.233	steering rack gaiter	212 463 05 96	D:68 d:14 L:187
8	49538	tie rod end left	204 330 09 03	c:16 th:FM14x1.5R	17	49017	axial joint	207 330 05 00	th:MM16X1.5R L:205
9	49539	tie rod end right	204 330 10 03	c:16 th:FM14x1.5R					

C-CLASS (W204)
C-CLASS (S204)
C-CLASS (C204)

01/2007 - 01/2014
08/2007 - 08/2014
06/2011 - 10/2015

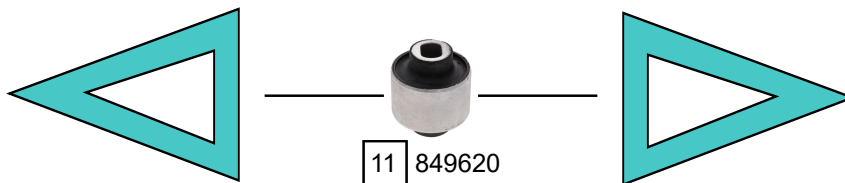


EXC. 4MATIC + EXC. AMG

EXC. COUPE



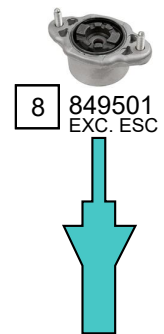
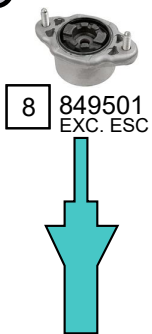
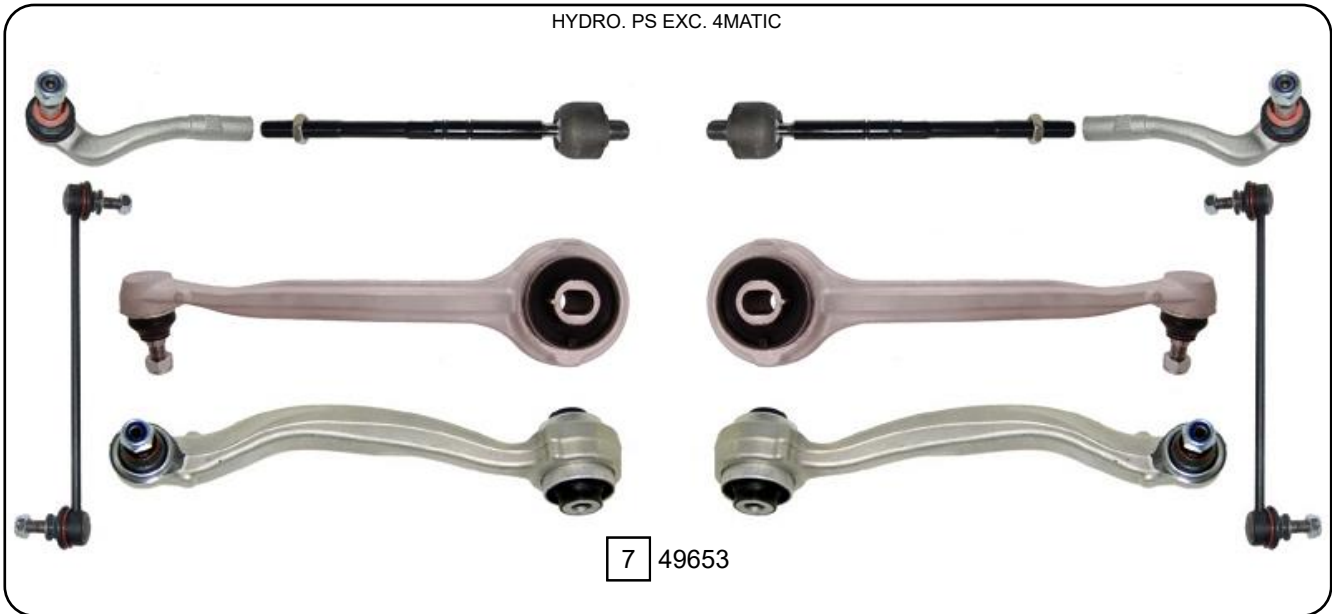
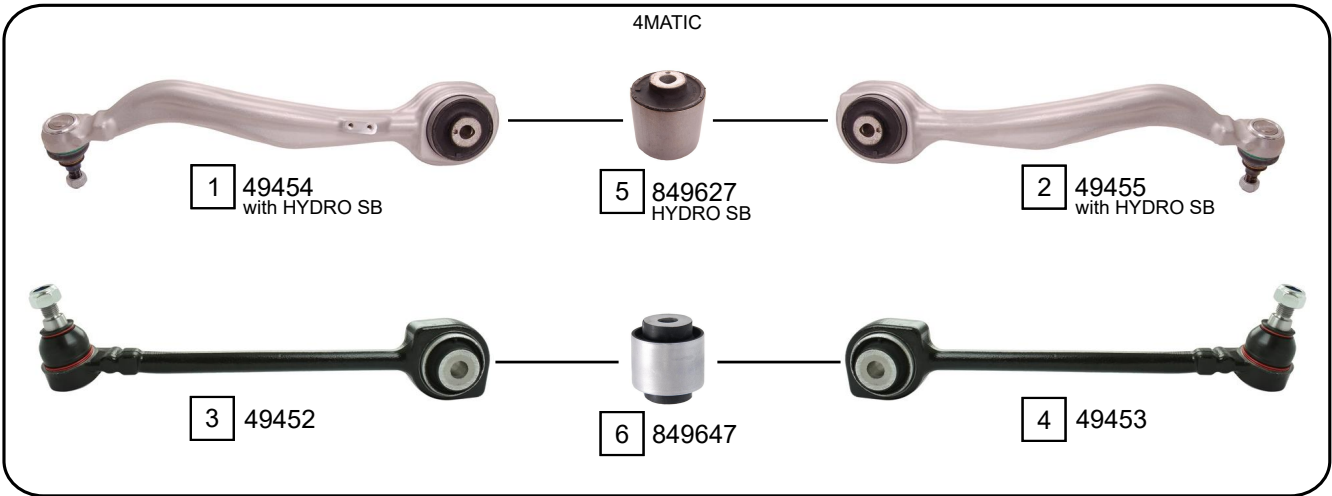
SPORT EDITION + AMG



Ref.	Sidem Ref.	Description	OE-number	Measures	Ref.	Sidem Ref.	Description	OE-number	Measures
1	49976	TCA left wbj	204 330 43 11 S1	c:16.3	7	849627	silentblock for TCA	204 333 11 14	di:14.8 do:70.2 (*)
2	49977	TCA right wbj	204 330 44 11 S1	c:16.3	8	49576	TCA left wbj	204 330 67 11	c:16.3
3	849626	silentblock for TCA	203 333 10 14	di:17.4 do:70.2 (*)	9	49577	TCA right wbj	204 330 68 11	c:16.3
4	849687 KIT	silentblock kit	204 333 11 14 S1		10	849632	silentblock for TCA	Part of	di:14.3 do:53.1 (*)
5	49150	TCA left wbj	204 330 87 11	c:16.3	11	849620	silentblock for TCA	211 333 11 14	di:14 do:70.2 (*)
6	49151	TCA right wbj	204 330 88 11	c:16.3					

C-CLASS (W204)
C-CLASS (S204)
C-CLASS (C204)

01/2007 - 01/2014
08/2007 - 08/2014
06/2011 - 10/2015



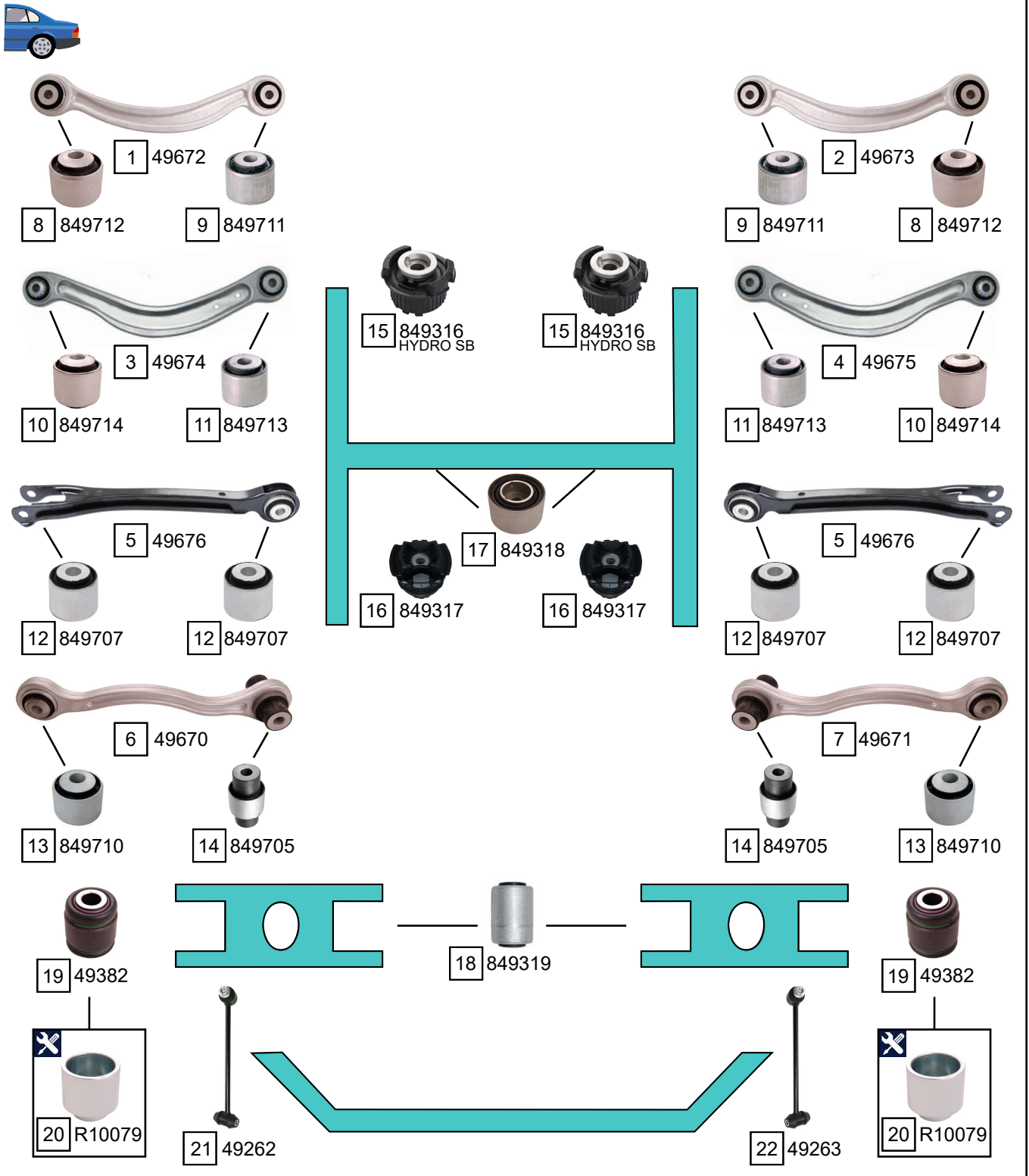
Ref.	Sidem Ref.	Description	OE-number	Measures	Ref.	Sidem Ref.	Description	OE-number	Measures
1	49454	TCA left wbj	204 330 73 11 S1	c:17.5	5	849627	silentblock for TCA	204 333 11 14	di:14.8 do:70.2 (*)
2	49455	TCA right wbj	204 330 74 11 S1	c:17.5	6	849647	silentblock for TCA	Part of	di:14.8 do:55.2 (*)
3	49452	TCA left wbj	204 330 29 11	c:17.5	7	49653	set TCA + stab. link + tr	204 330 67 11 S2	
4	49453	TCA right wbj	204 330 30 11	c:17.5	8	849501	strut mount	204 320 09 73	di:10.2 do:70.2 L:45

MERCEDES

C-CLASS

C-CLASS (W204)
C-CLASS (S204)
C-CLASS (C204)

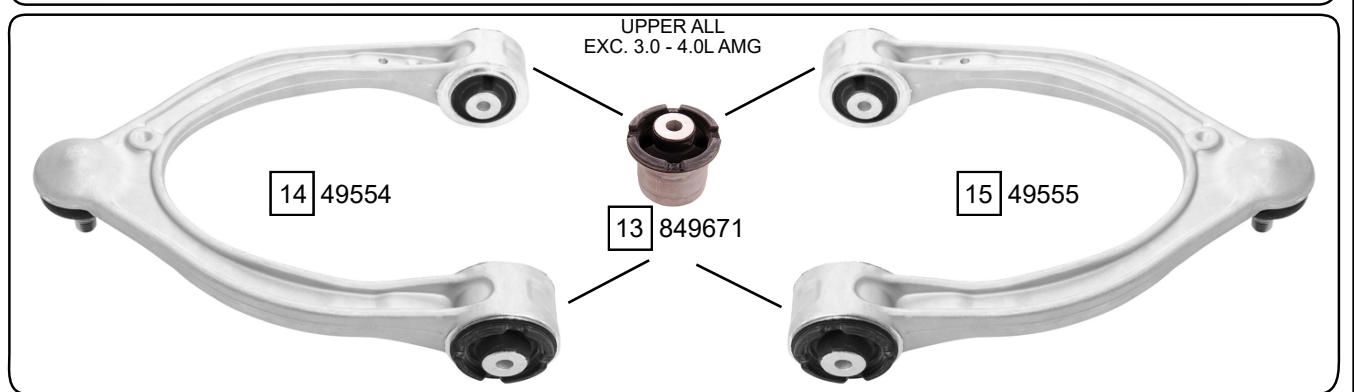
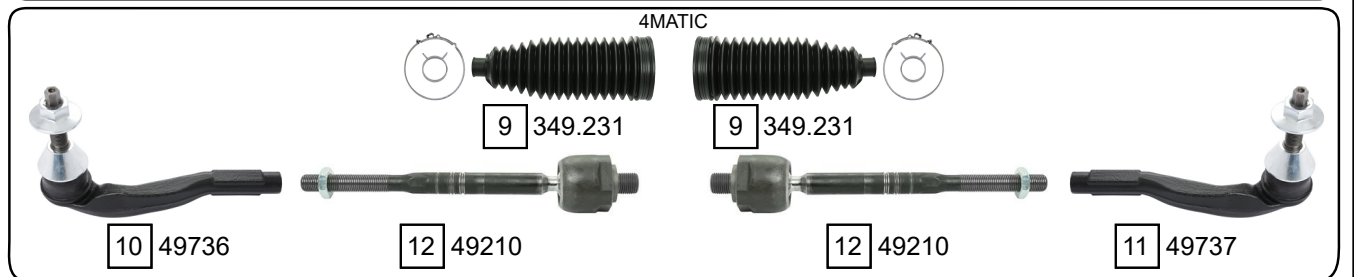
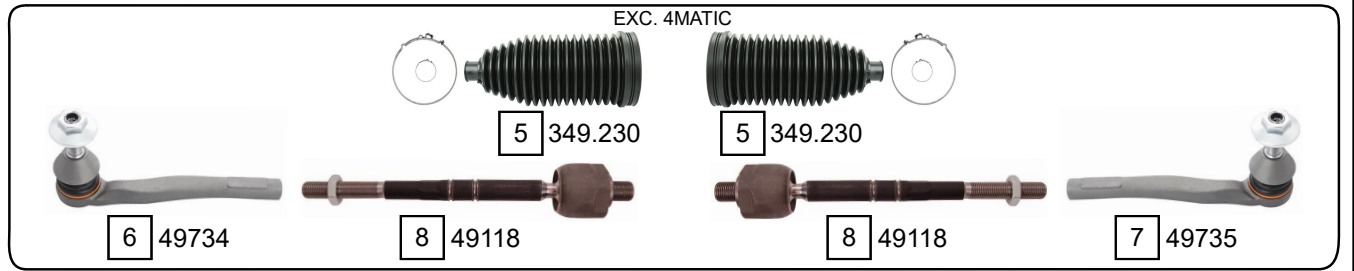
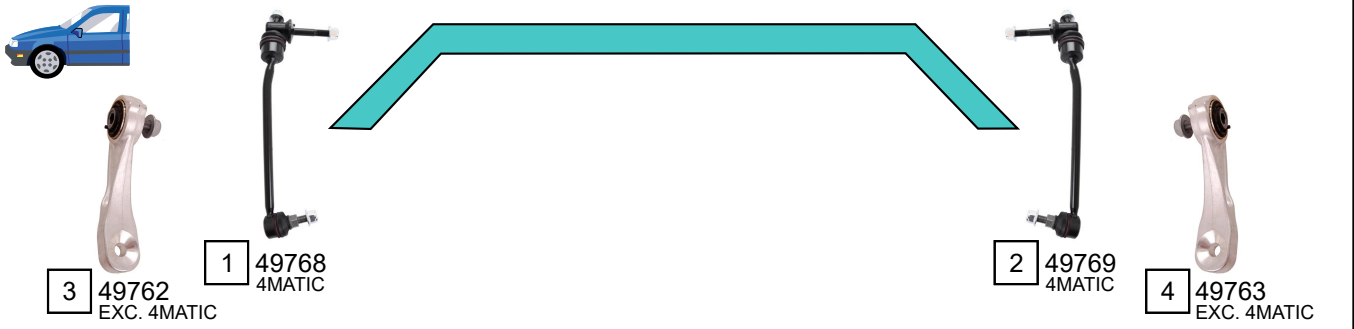
01/2007 - 01/2014
08/2007 - 08/2014
06/2011 - 10/2015



Ref.	Sidem Ref.	description	OE-number	measures	Ref.	Sidem Ref.	description	OE-number	measures
1	49672	TCA left	204 350 21 06	L:312.5	12	849707	silentblock for TCA	230 352 15 65	di:12.1 do:38.5 (*)
2	49673	TCA right	204 350 22 06	L:312.5	13	849710	silentblock for TCA	Part of	di:12.3 do:40.2 (*)
3	49674	TCA left	205 350 61 03	L:342.5	14	849705	silentblock for TCA	Part of	di:12.2 do:40.3 (*)
4	49675	TCA right	205 350 62 03	L:342.5	15	849316	mounting axle body	204 351 08 42	di:17.8 do:77
5	49676	TCA	205 350 63 03	L:331.5	16	849317	mounting axle body	204 350 02 75	di:13.3 do:90
6	49670	TCA left	205 350 65 03	L:265	17	849318	mounting axle body	204 351 04 42	di:15.2 do:74.2
7	49671	TCA right	205 350 66 03	L:265	18	849319	silentblock for TCA	222 352 08 65	di:12.2 do:51.4 (*)
8	849712	silentblock for TCA	Part of	di:12.3 do:43.5 (*)	19	49382	ball joint rear	204 352 00 27	di:14.2 do:40
9	849711	silentblock for TCA	Part of	di:12.3 do:43.5 (*)	20	R10079	mounting tool ring ø46 ø38	SEE PAGE III	di:38 do:46
10	849714	silentblock for TCA	Part of	di:12.2 do:39.5 (*)	21	49262	stabiliser link left	204 320 05 89	L:232
11	849713	silentblock for TCA	Part of	di:12.3 do:39.5 (*)	22	49263	stabiliser link right	204 320 04 89	L:232

C-CLASS (S205)
C-CLASS (W205)
C-CLASS COUPE (C205)
C-CLASS CABRIOLET (A205)

09/2014 ->
02/2014 ->
10/2015 ->
06/2016 ->



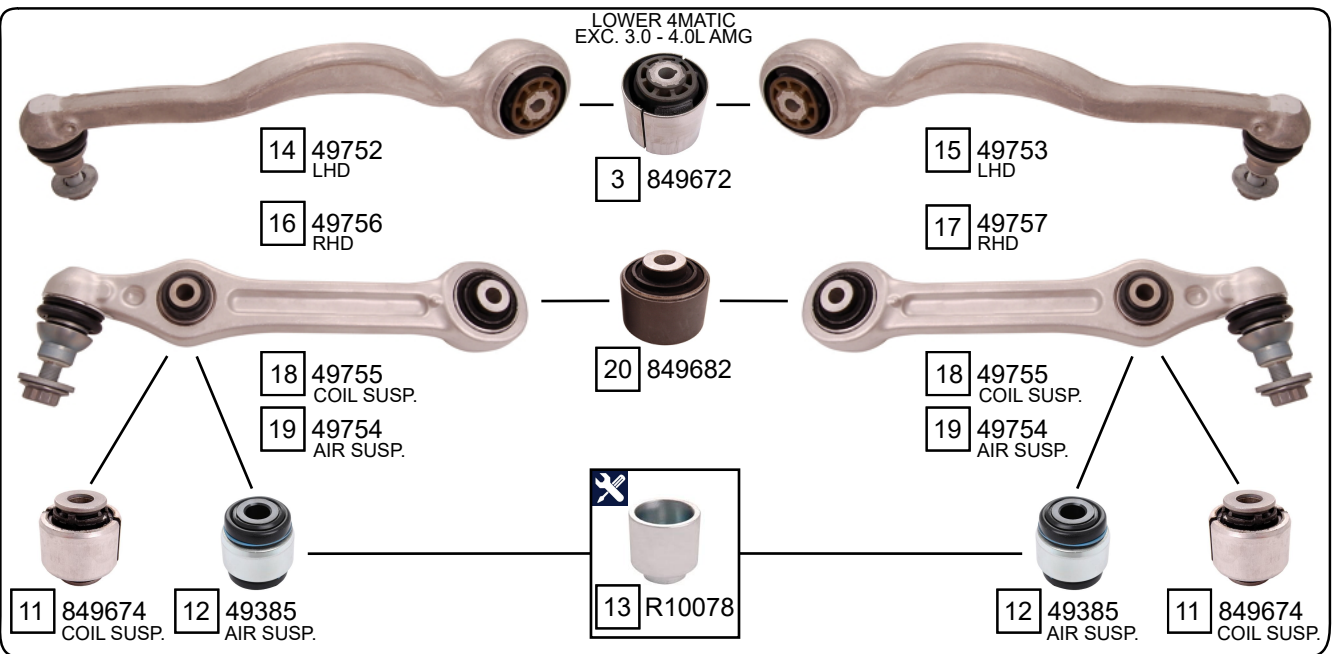
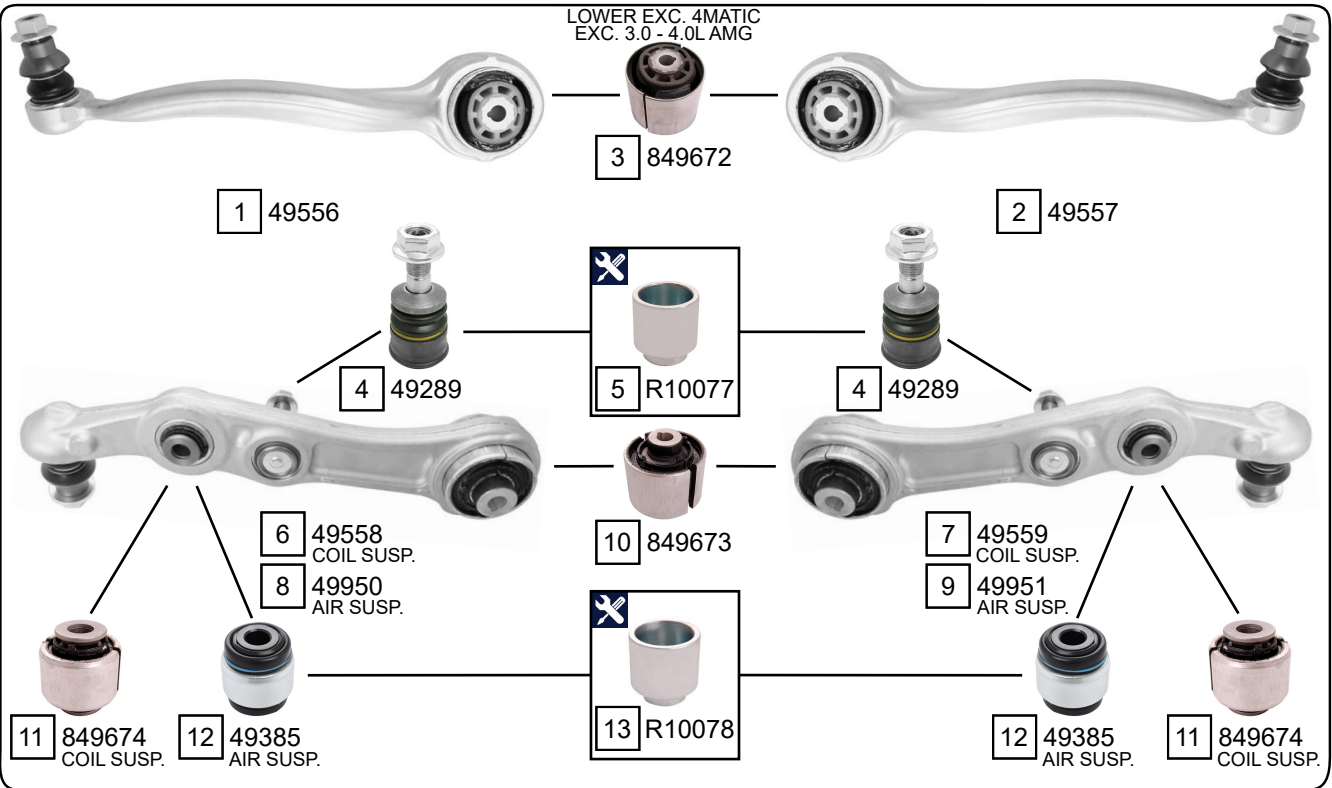
Ref.	Sidem Ref.	Description	OE-number	Measures	Ref.	Sidem Ref.	Description	OE-number	Measures
1	49768	stabiliser link left	205 323 09 17		10	49736	tie rod end left	205 460 00 05	c:21.5 th:FM14X1.5R
2	49769	stabiliser link right	205 323 10 17		11	49737	tie rod end right	205 460 01 05	c:21.5 th:FM14X1.5R
3	49762	stabiliser link left	205 323 07 17		12	49210	axial joint	205 460 04 05	th:MM16X1.5R L:242
4	49763	stabiliser link right	205 323 08 17		13	849671	silentblock for TCA	Part of	di:10 do:51.2 (*)
5	349.230	steering rack gaiter	205 460 06 96	D:68 d:15.5 L:168	14	49554	TCA left wbj	205 330 55 01	c:14.7
6	49734	tie rod end left	205 460 06 05	c:21.5 th:FM14X1.5R	15	49555	TCA right wbj	205 330 56 01	c:14.7
7	49735	tie rod end right	205 460 07 05	c:21.5 th:FM14X1.5R	16	8496005 KIT	silentblock kit	205 333 00 14 S1	
8	49118	axial joint	205 460 08 05	th:MM16X1.5R L:245	17	849696 KIT	silentblock kit	205 333 00 14 S1	
9	349.231	steering rack gaiter	205 463 00 96	D:61.5 d:16 L:197					

MERCEDES

C-CLASS

C-CLASS (S205)
C-CLASS (W205)
C-CLASS COUPE (C205)
C-CLASS CABRIOLET (A205)

09/2014 ->
02/2014 ->
10/2015 ->
06/2016 ->



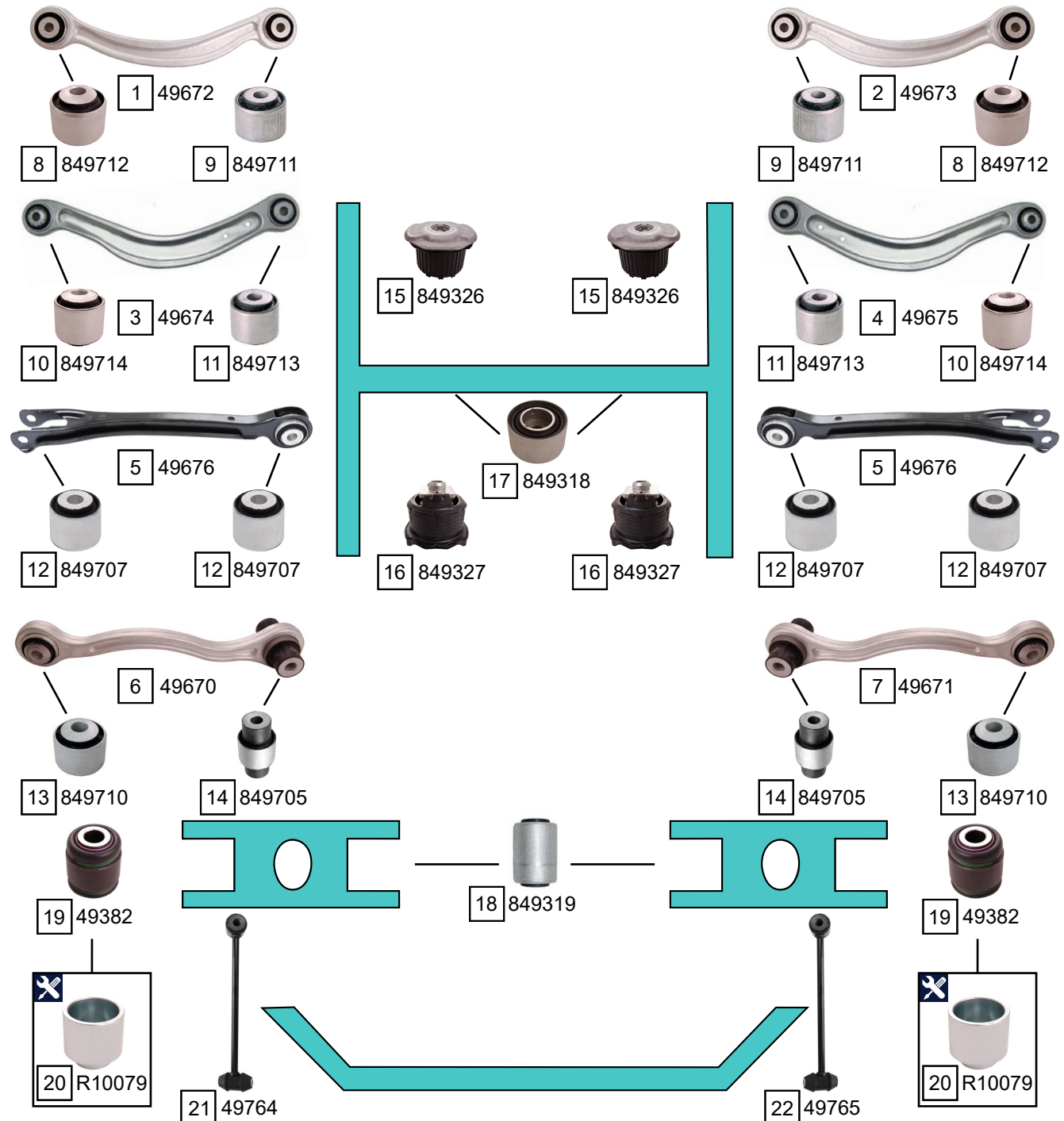
Ref.	Sidem Ref.	Description	OE-number	Measures	Ref.	Sidem Ref.	Description	OE-number	Measures
1	49556	TCA left wbj	205 330 15 05	c:16	11	849674	silentblock for TCA	Part of	di:14.1 do:46 (*)
2	49557	TCA right wbj	205 330 16 05	c:16	12	49385	ball joint	205 352 37 00	di:14.1 do:44
3	849672	silentblock for TCA	Part of	di:14 do:76 (*)	13	R10078	mounting tool ring ø44 ø36	SEE PAGE III	di:36 do:44
4	49289	ball joint	Part of	c:14 do:34.2	14	49752	TCA left wbj	205 330 19 05	c:16
5	R10077	mounting tool ring ø42 ø34	SEE PAGE III	di:34 do:42	15	49753	TCA right wbj	205 330 20 05	c:16
6	49558	TCA left wbj	205 330 59 01	c:16	16	49756	TCA left wbj	205 330 17 05	c:16 L:450
7	49559	TCA right wbj	205 330 60 01	c:16	17	49757	TCA right wbj	205 330 18 05	c:16 L:450
8	49950	TCA left wbj	205 330 21 07	c:16	18	49755	TCA wbj	205 330 67 10	c:16 L:340
9	49951	TCA right wbj	205 330 22 07	c:16	19	49754	TCA wbj	205 330 58 01	c:16 L:340
10	849673	silentblock for TCA	Part of	di:14.1 do:71 (*)	20	849682	silentblock for TCA	Part of	di:14.1 do:55.5 (*)

C-CLASS (S205)
C-CLASS (W205)
C-CLASS COUPE (C205)
C-CLASS CABRIOLET (A205)

09/2014 ->
02/2014 ->
10/2015 ->
06/2016 ->



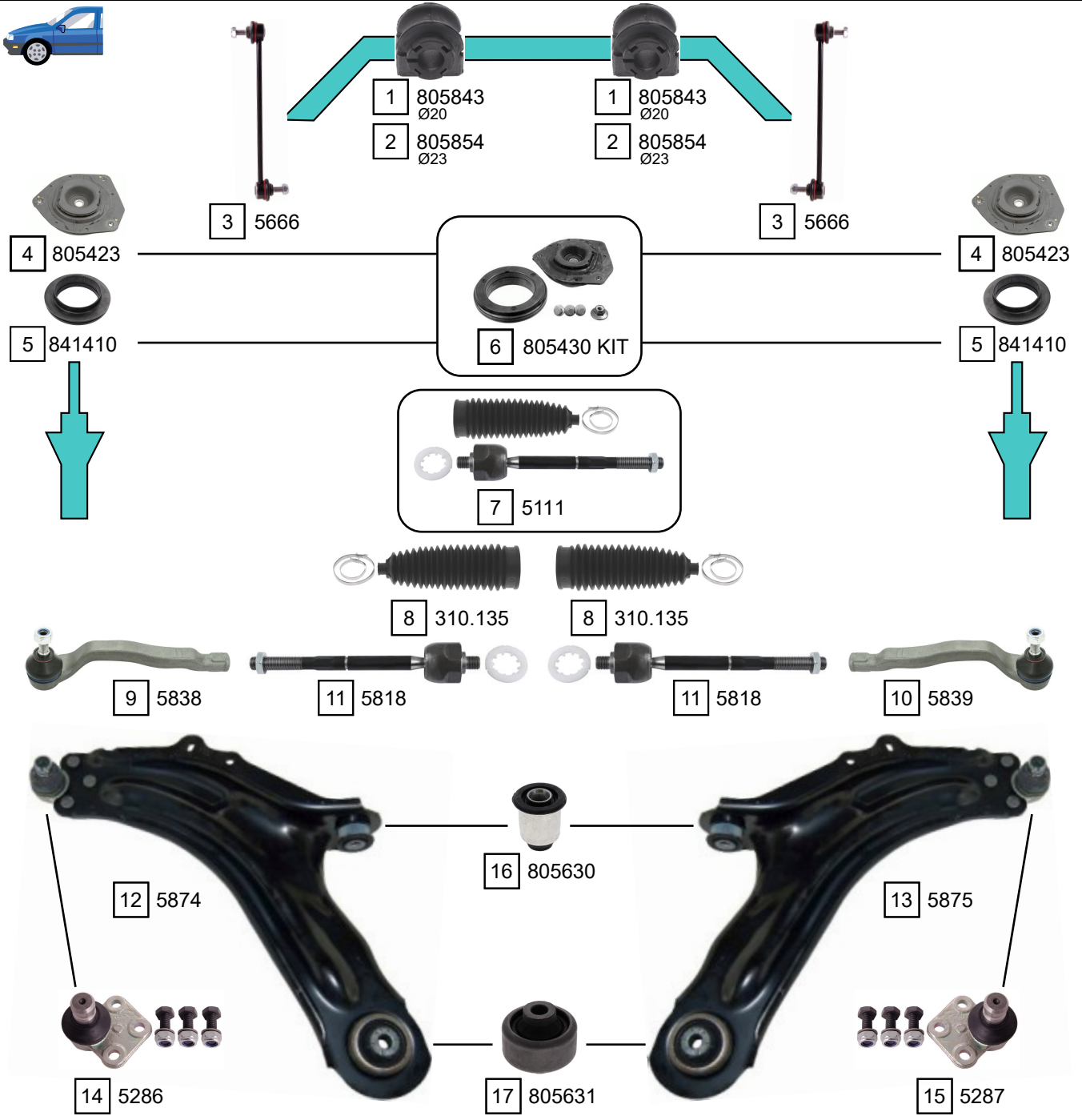
EXC. 3.0 - 4.0L AMG



Ref.	Sidem Ref.	description	OE-number	measures	Ref.	Sidem Ref.	description	OE-number	measures
1	49672	TCA left	204 350 21 06	L:312.5	12	849707	silentblock for TCA	230 352 15 65	di:12.1 do:38.5 (*)
2	49673	TCA right	204 350 22 06	L:312.5	13	849710	silentblock for TCA	Part of	di:12.3 do:40.2 (*)
3	49674	TCA left	205 350 61 03	L:342.5	14	849705	silentblock for TCA	Part of	di:12.2 do:40.3 (*)
4	49675	TCA right	205 350 62 03	L:342.5	15	849326	mounting axle body	205 351 00 42	di:18.6 do:86
5	49676	TCA	205 350 63 03	L:331.5	16	849327	mounting axle body	205 351 19 00	di:15.1 do:91.5
6	49670	TCA left	205 350 65 03	L:265	17	849318	mounting axle body	204 351 04 42	di:15.2 do:74.2
7	49671	TCA right	205 350 66 03	L:265	18	849319	silentblock for TCA	222 352 08 65	di:12.2 do:51.4 (*)
8	849712	silentblock for TCA	Part of	di:12.3 do:43.5 (*)	19	49382	ball joint rear	204 352 00 27	di:14.2 do:40
9	849711	silentblock for TCA	Part of	di:12.3 do:43.5 (*)	20	R10079	mounting tool ring ø46 ø38	SEE PAGE III	di:38 do:46
10	849714	silentblock for TCA	Part of	di:12.2 do:39.5 (*)	21	49764	stabiliser link left	205 326 03 17	L:232
11	849713	silentblock for TCA	Part of	di:12.3 do:39.5 (*)	22	49765	stabiliser link right	205 326 04 17	L:232

CITAN (W415)

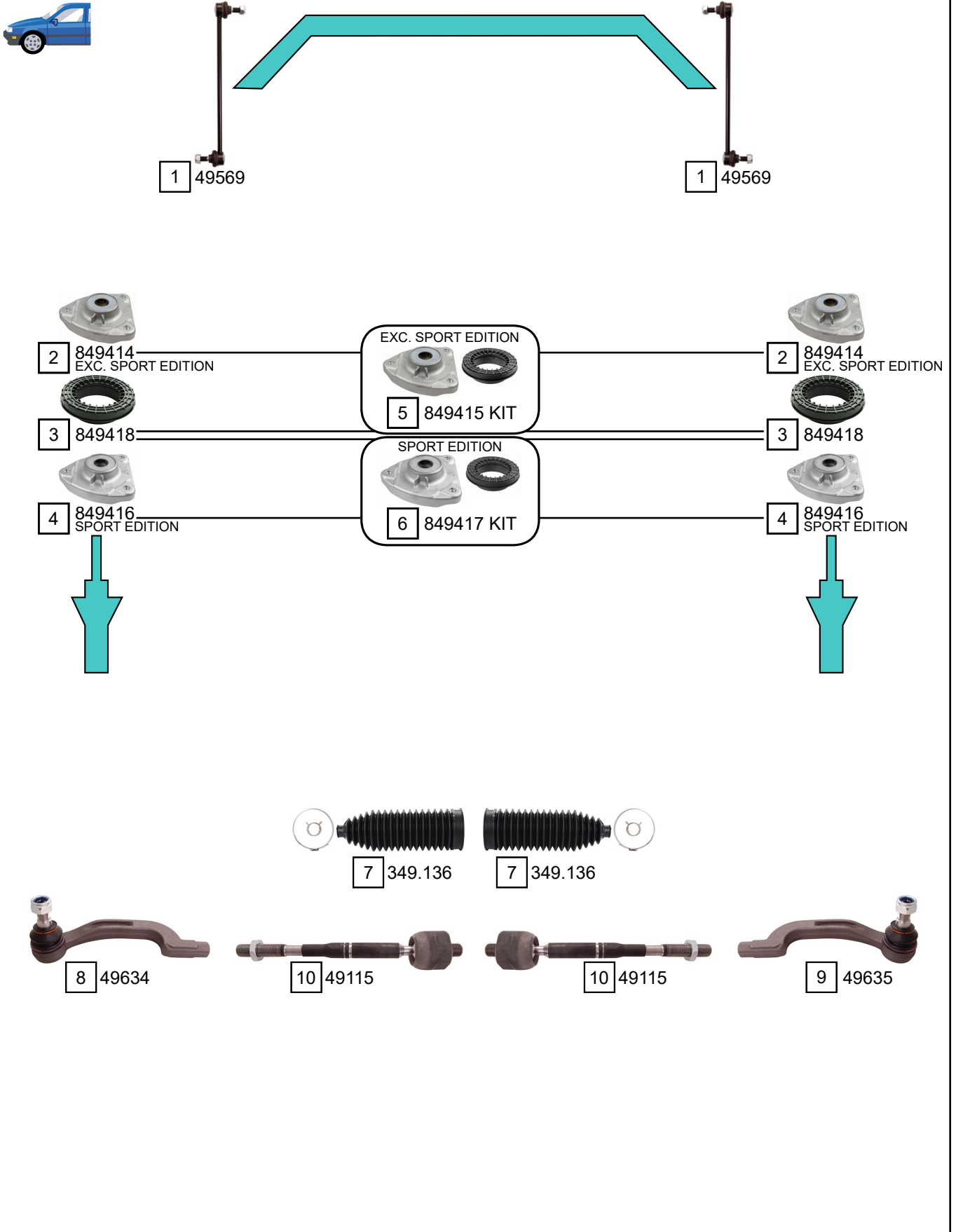
11/2012 ->



Ref.	Sidem Ref.	Description	OE-number	Measures	Ref.	Sidem Ref.	Description	OE-number	Measures
1	805843	stabiliser mounting	415 326 01 81	di:20	10	5839	tie rod end right	415 460 01 05	c:11.8 th:FM14x1.5R
2	805854	stabiliser mounting	415 326 00 81	di:22	11	5818	axial joint	Part of	th:MM14x1.5R L:213
3	5666	stabiliser link	415 320 01 89	L:283	12	5874	TCA left wbj	415 330 03 00	c:20
4	805423	strut mount	415 323 00 20	di:13.2 do:91.6 L:54.3	13	5875	TCA right wbj	415 330 02 00	c:20
5	841410	bearing	415 322 01 84	di:91 do:139 L:36	14	5286	ball joint	Part of	c:20
6	805430 KIT	strut mount kit	415 323 02 20	di:14.1	15	5287	ball joint	Part of	c:20
7	5111	axial joint kit	415 320 00 89	D:53 th:MM14x1.5R	16	805630	silentblock for TCA	Part of	di:12.2 do:33.2 (*)
8	310.135	steering rack gaiter	415 460 00 96	D:53 d:12 L:205	17	805631	silentblock for TCA	Part of	di:12.1 do:58.2 (*)
9	5838	tie rod end left	415 460 00 05	c:11.8 th:FM14x1.5R	18	805310	mounting axle body	415 352 08 00	di:12.4 do:69.3

CLA (C117)
CLA SHOOTING BRAKE (X117)

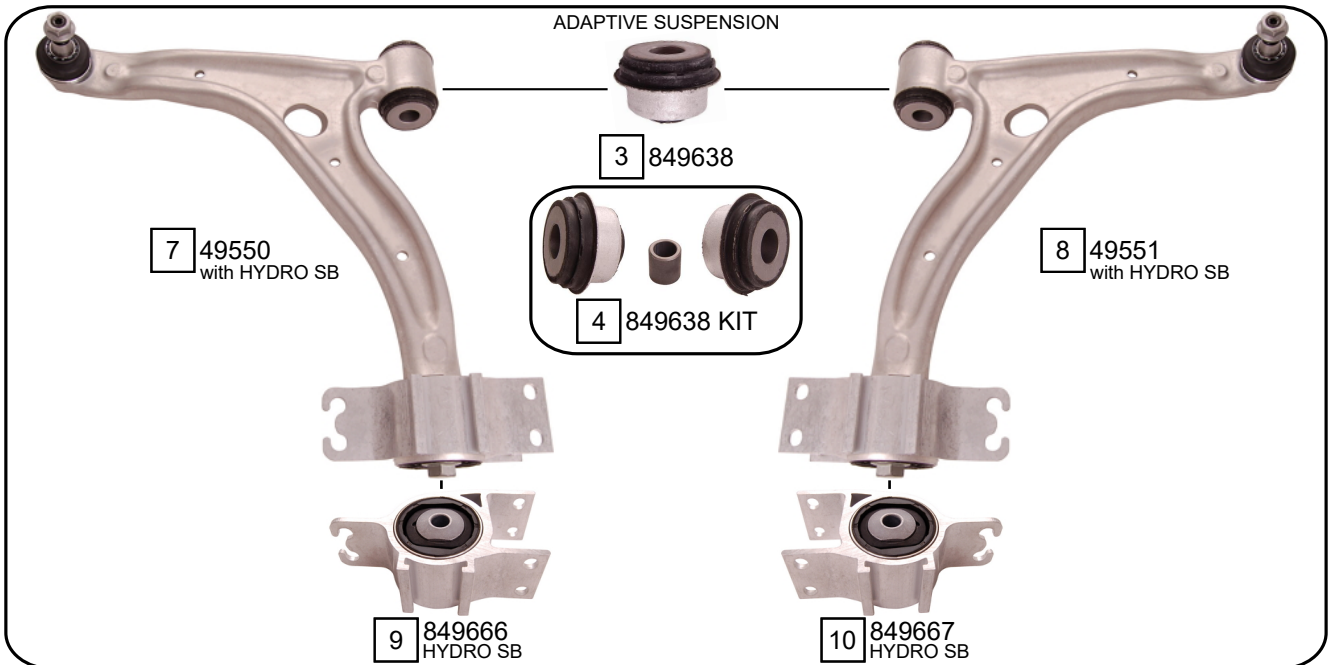
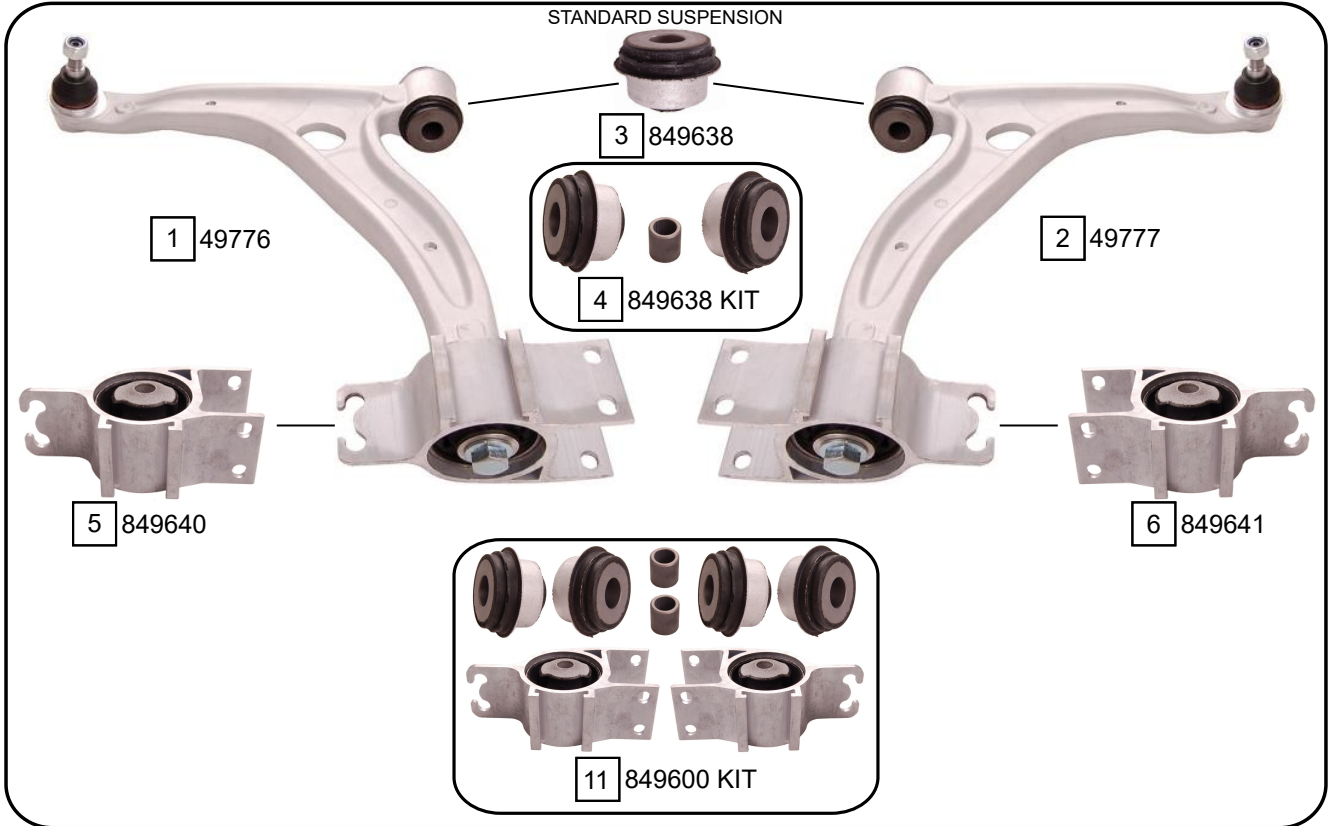
01/2013 - 03/2019
01/2015 - 03/2019



Ref.	Sidem Ref.	Description	OE-number	Measures	Ref.	Sidem Ref.	Description	OE-number	Measures
1	49569	stabiliser link	246 320 06 89	L:333	6	849417 KIT	strut mount kit	176 320 01 73 S1	di:15.2 L:77.8
2	849414	strut mount	246 323 00 20	do:75.8 L:68	7	349.136	steering rack gaiter	246 463 00 96	D:57.5 d:14.5 L:192
3	849418	bearing	204 981 00 25	di:82 do:126.5 L:36.4	8	49634	tie rod end left	246 330 17 00	c:16.3 th:FM14X1.5R
4	849416	strut mount	176 320 01 73	di:15.2 do:75.4 L:77.8	9	49635	tie rod end right	246 330 18 00	c:16.3 th:FM14X1.5R
5	849415 KIT	strut mount kit	246 323 00 20 S1	do:75.8 L:68	10	49115	axial joint	246 338 00 00	th:MM14X1.5R L:222

CLA (C117)
CLA SHOOTING BRAKE (X117)

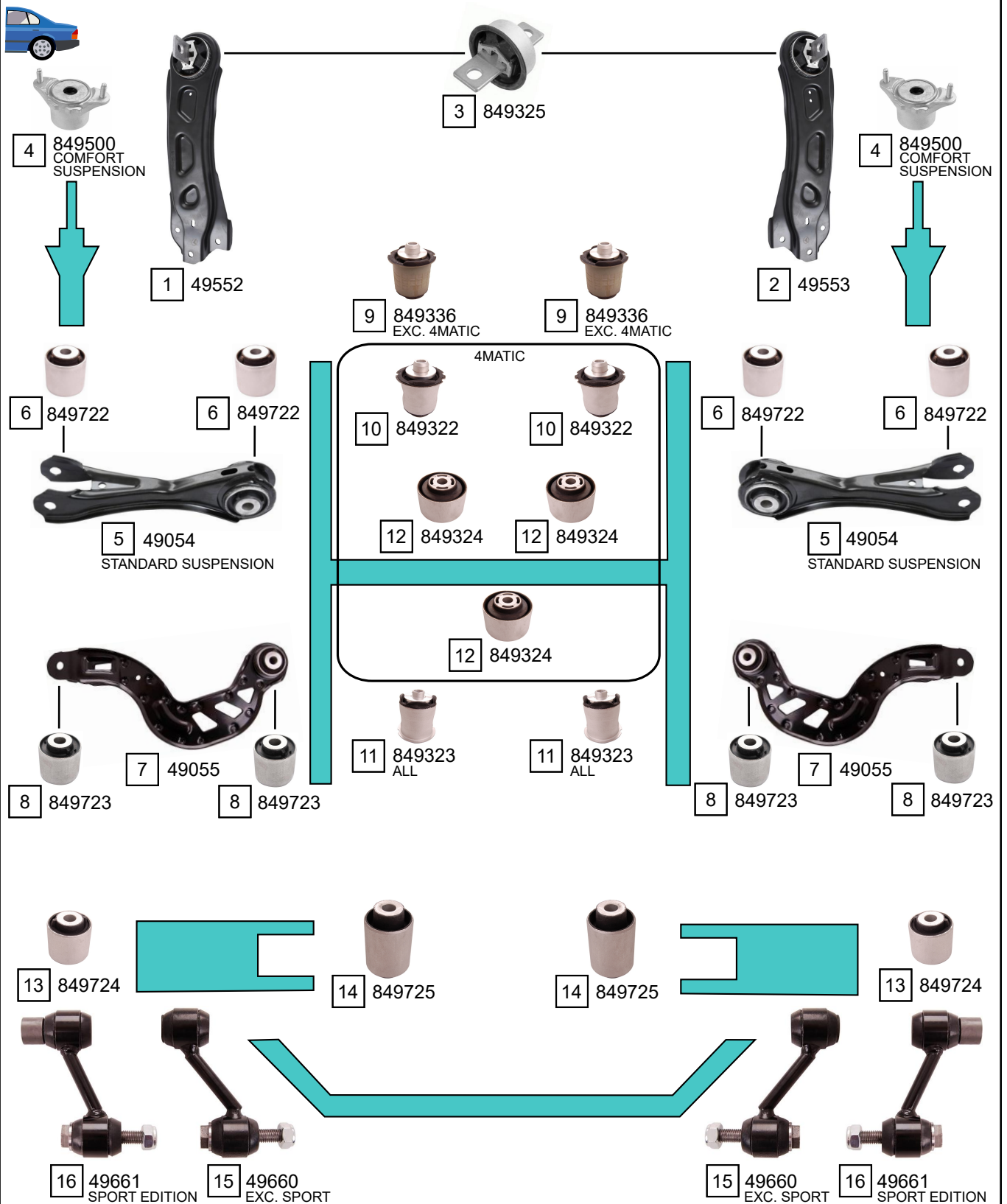
01/2013 - 03/2019
01/2015 - 03/2019



Ref.	Sidem Ref.	Description	OE-number	Measures	Ref.	Sidem Ref.	Description	OE-number	Measures
1	49776	TCA left wbj	246 330 47 00	c:18	7	49550	TCA left wbj	156 330 01 00	c:18.1
2	49777	TCA right wbj	246 330 48 00	c:18	8	49551	TCA right wbj	156 330 02 00	c:18
3	849638	silentblock for TCA	246 333 01 14	di:19.8 do:46 (*)	9	849666	silentblock for TCA	246 333 05 14	di:14.2 do:70 (*)
4	849638 KIT	silentblock kit	246 333 01 14 S1		10	849667	silentblock for TCA	246 333 06 14	di:14.2 do:70 (*)
5	849640	silentblock for TCA	246 333 01 00	di:14.2 do:70 (*)	11	849600 KIT	silentblock kit	246 333 01 00 S2	
6	849641	silentblock for TCA	246 333 02 00	di:14.2 do:70 (*)					

CLA (C117)
CLA SHOOTING BRAKE (X117)

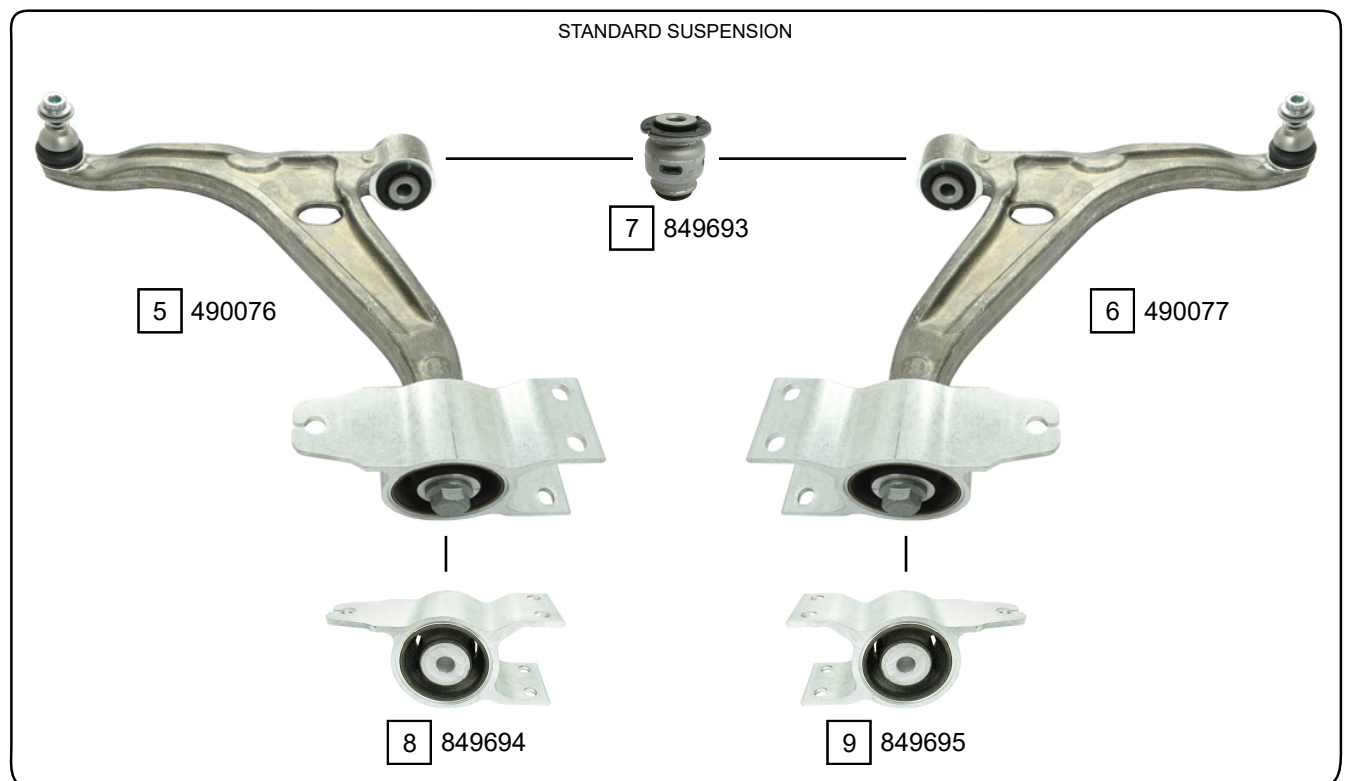
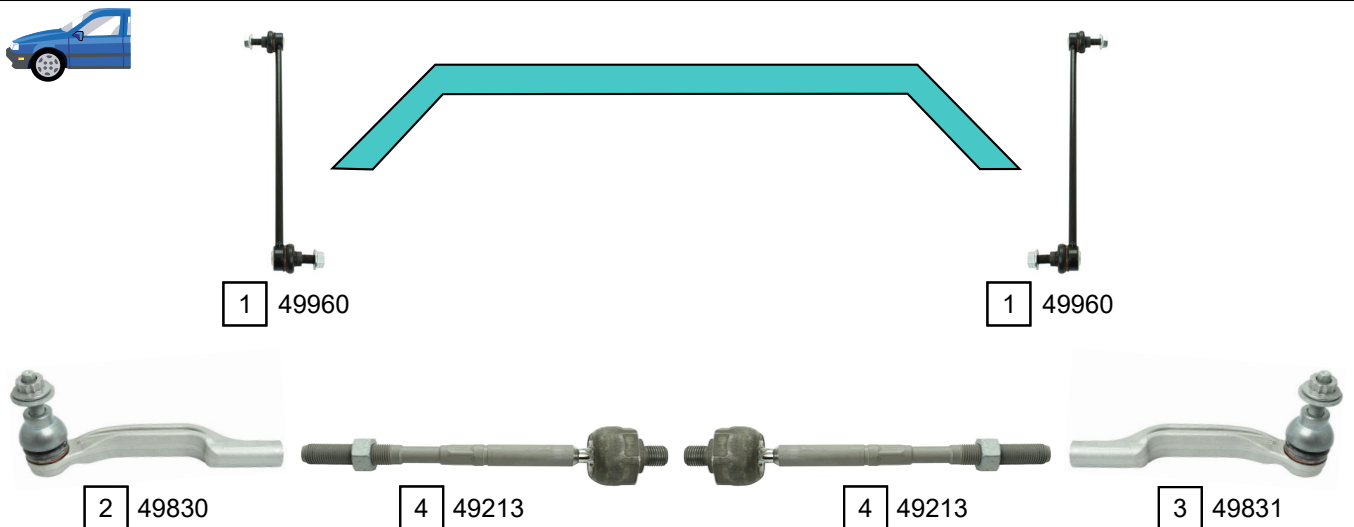
01/2013 - 03/2019
01/2015 - 03/2019



Ref.	Sidem Ref.	Description	OE-number	Measures	Ref.	Sidem Ref.	Description	OE-number	Measures
1	49552	TCA	246 350 04 06	L:390	9	849336	mounting axle body	246 351 05 00	di:12.2 do:70
2	49553	TCA	246 350 05 06	L:390	10	849322	mounting axle body	246 351 07 00	di:12.1 do:69
3	849325	mounting axle body	Part of	do:82	11	849323	mounting axle body	246 351 04 00	di:16 do:69
4	849500	strut mount	Part of	di:10.2 do:69.2 L:60.6	12	849324	mounting axle body	246 351 02 00	di:14.7 do:74.1
5	49054	track rod	246 350 00 53	L:206	13	849724	silentblock for TCA	246 352 09 65	di:12 do:45 (*)
6	849722	silentblock for TCA	246 352 02 65	di:12 do:45 (*)	14	849725	silentblock for TCA	246 352 01 00	di:12.1 do:45 (*)
7	49055	track rod	246 350 10 06	L:328	15	49660	stabiliser link rear axle	246 320 04 89	L:80
8	849723	silentblock for TCA	246 352 01 65	di:12.1 do:45.2 (*)	16	49661	stabiliser link rear axle	246 320 07 89	L:80

CLA (C118)

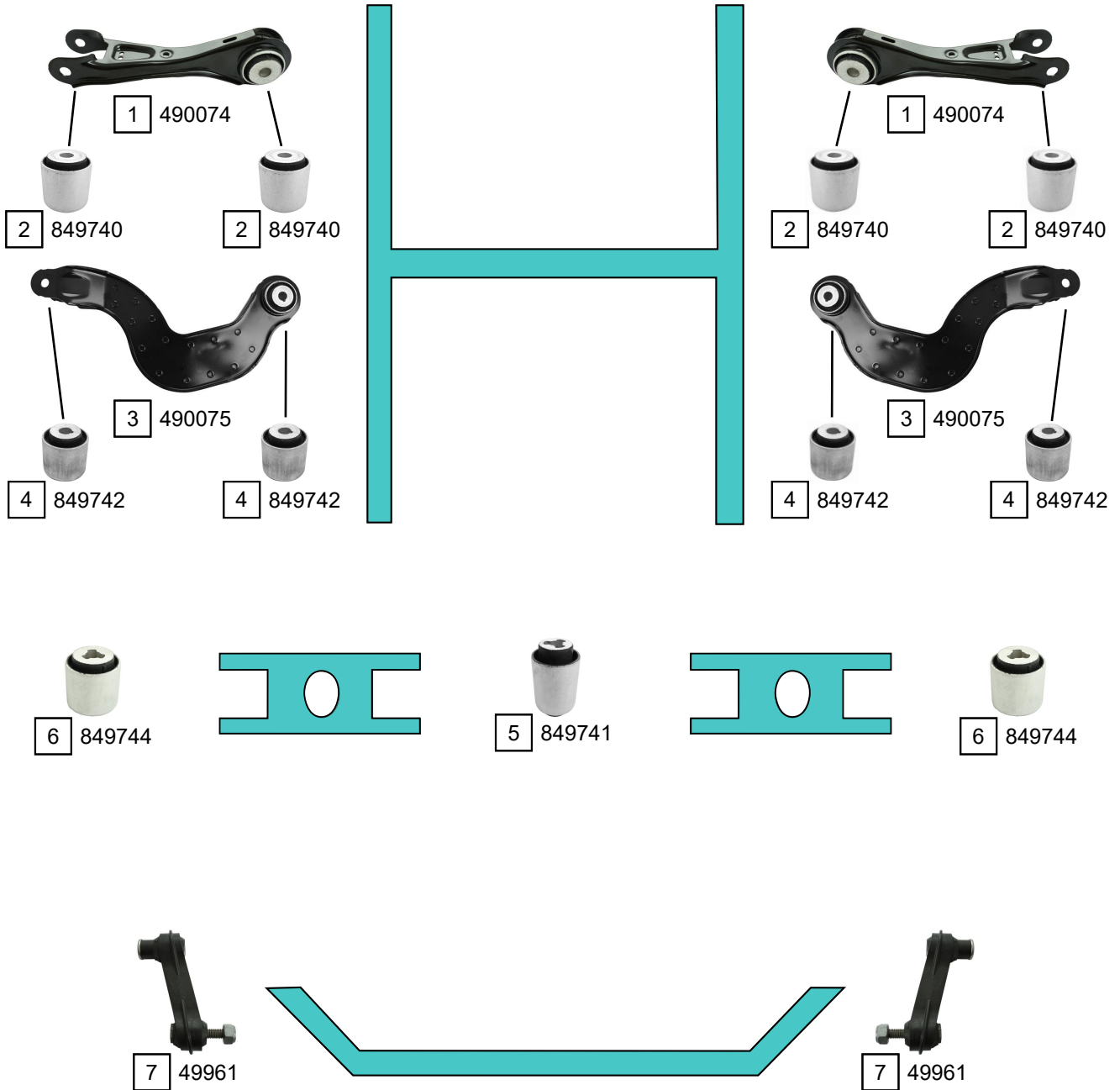
03/2019 ->



Ref.	Sidem Ref.	Description	OE-number	Measures	Ref.	Sidem Ref.	Description	OE-number	Measures
1	49960	stabiliser link	247 320 42 00	L:339	6	490077	TCA right wbj	118 330 96 00	c:26.4
2	49830	tie rod end left	177 330 85 00	c:26.3 th:FM14X1.5R	7	849693	silentblock for TCA	Part of	di:14.3 do:50.2 (*)
3	49831	tie rod end right	177 330 84 00	c:26.3 th:FM14X1.5R	8	849694	silentblock for TCA	247 333 05 00	di:14.3 (*)
4	49213	axial joint	247 338 00 00	th:MM14X1.5R L:223	9	849695	silentblock for TCA	247 333 06 00	di:14.3 (*)
5	490076	TCA left wbj	118 330 95 00	c:26.4					

CLA (C118)

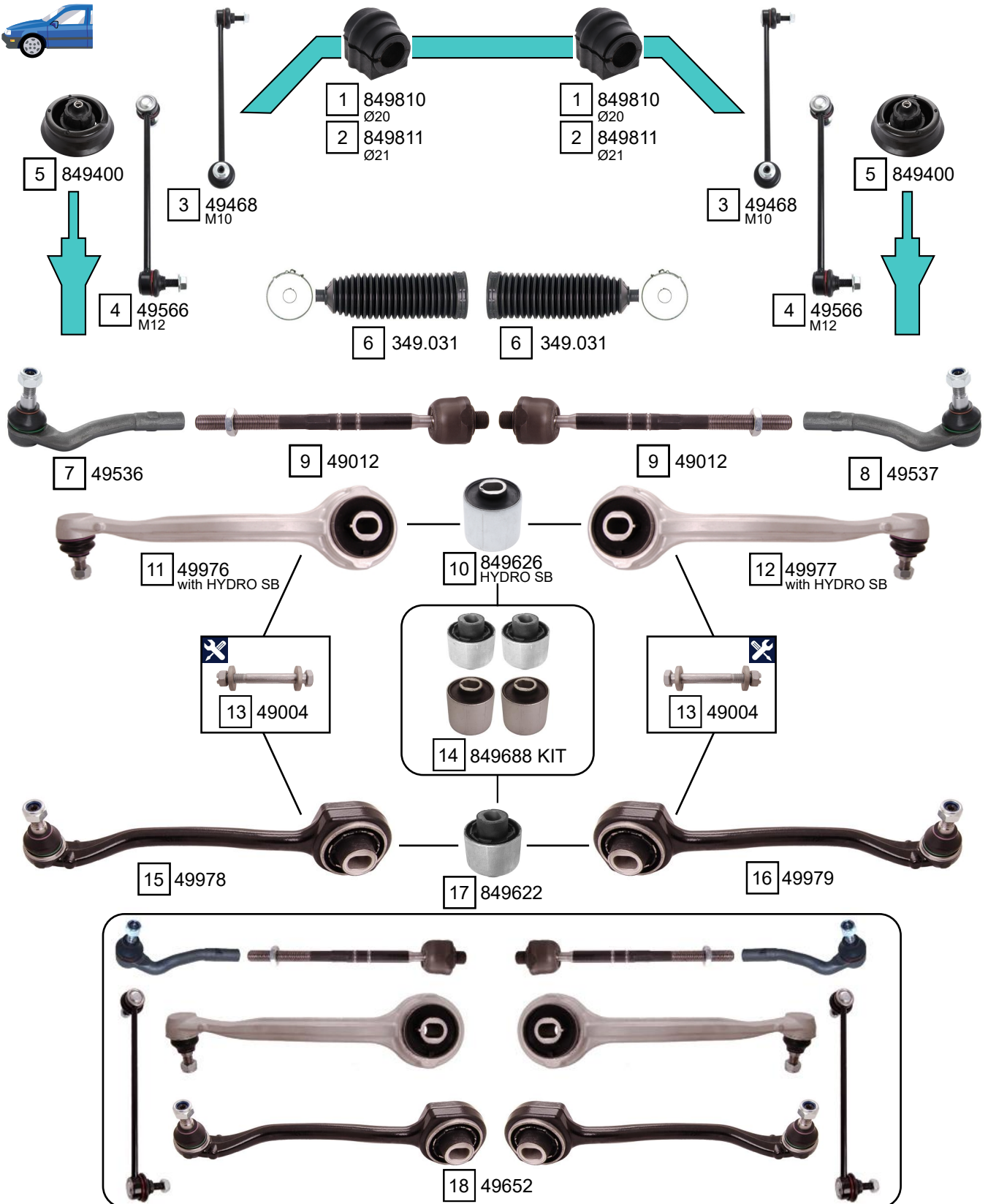
03/2019 ->



Ref.	Sidem Ref.	Description	OE-number	Measures	Ref.	Sidem Ref.	Description	OE-number	Measures
1	490074	track rod	247 350 18 00	L:206	5	849741	silentblock for TCA	247 352 19 00	di:12.2 do:45.2 (*)
2	849740	silentblock for TCA	247 352 17 00	di:12.2 do:45.1 (*)	6	849744	silentblock for TCA	247 352 21 00	di:12.1 do:45.1
3	490075	track rod	247 350 17 00	L:328	7	49961	stabiliser link rear	247 320 53 00	L:90
4	849742	silentblock for TCA	Part of	di:12.1 do:45.1 (*)					

CLC (CL203)

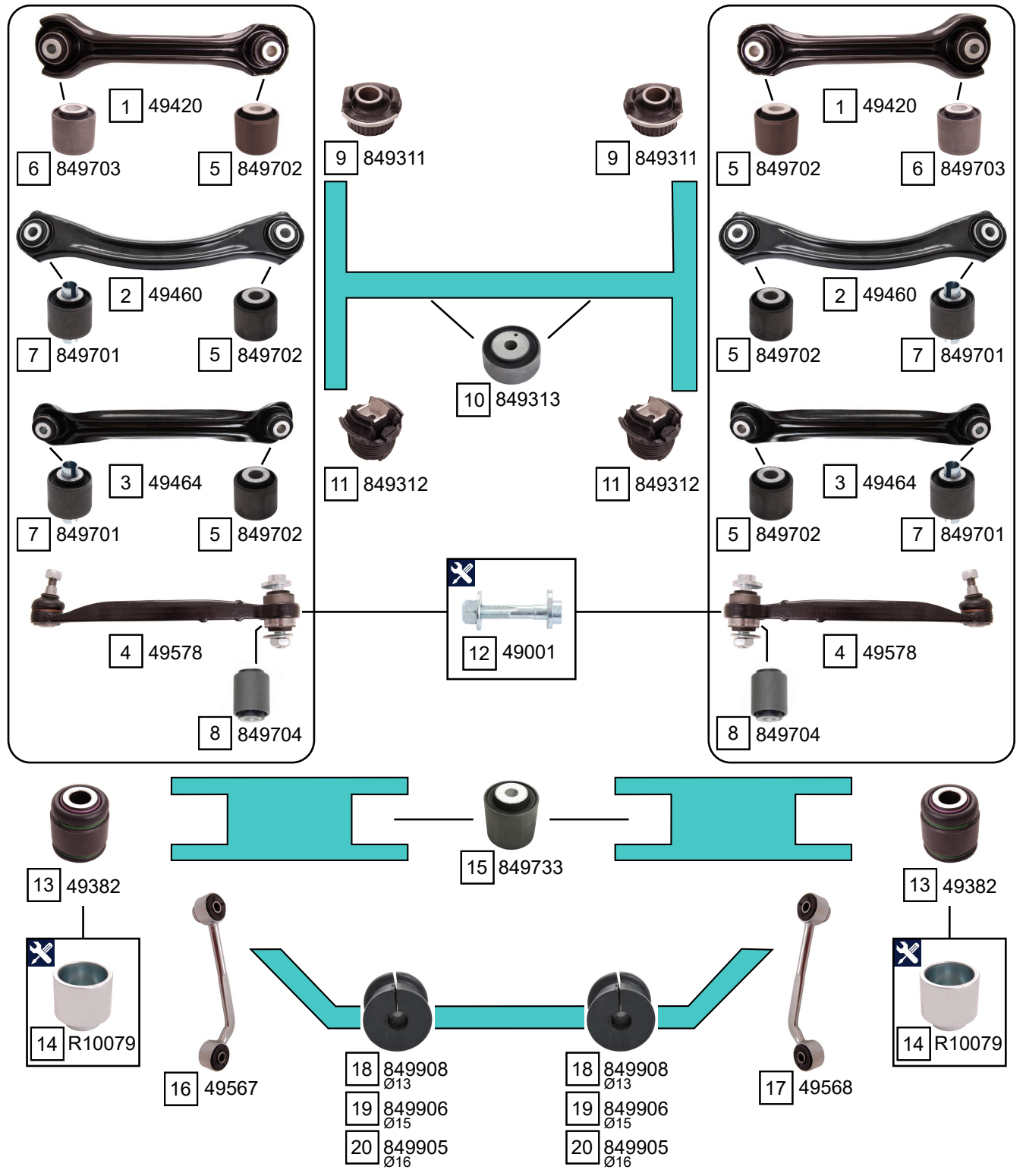
05/2008 - 06/2011



Ref.	Sidem Ref.	Description	OE-number	Measures	Ref.	Sidem Ref.	Description	OE-number	Measures
1	849810	stabiliser mounting	203 323 20 85	di:20	10	849626	silentblock for TCA	203 333 10 14	di:17.4 do:70.2 (*)
2	849811	stabiliser mounting	203 323 21 85	di:21	11	49976	TCA left wbj	204 330 43 11 S1	c:16.3
3	49468	stabiliser link	203 320 28 89	L:276	12	49977	TCA right wbj	204 330 44 11 S1	c:16.3
4	49566	stabiliser link	203 320 29 89	L:277	13	49004	mounting kit	000 330 00 18	th:M14X.15 L:120
5	849400	strut mount	203 320 02 73	do:235	14	849688 KIT	silentblock kit	203 333 09 14 S1	
6	349.031	steering rack gaiter	171 463 00 96	D:64 d:14 L:213	15	49978	TCA left wbj	204 330 19 11	c:16.3
7	49536	tie rod end left	203 330 39 03	c:16 th:FM14X1.5R	16	49979	TCA right wbj	204 330 20 11	c:16.3
8	49537	tie rod end right	203 330 40 03	c:16 th:FM14X1.5R	17	849622	silentblock for TCA	203 333 09 14	di:10.2 do:70.5 (*)
9	49012	axial joint	230 338 00 15	th:MM16X1.5R L:244	18	49652	set TCA + stab. link + tr	204 330 19 11 S3	

CLC (CL203)

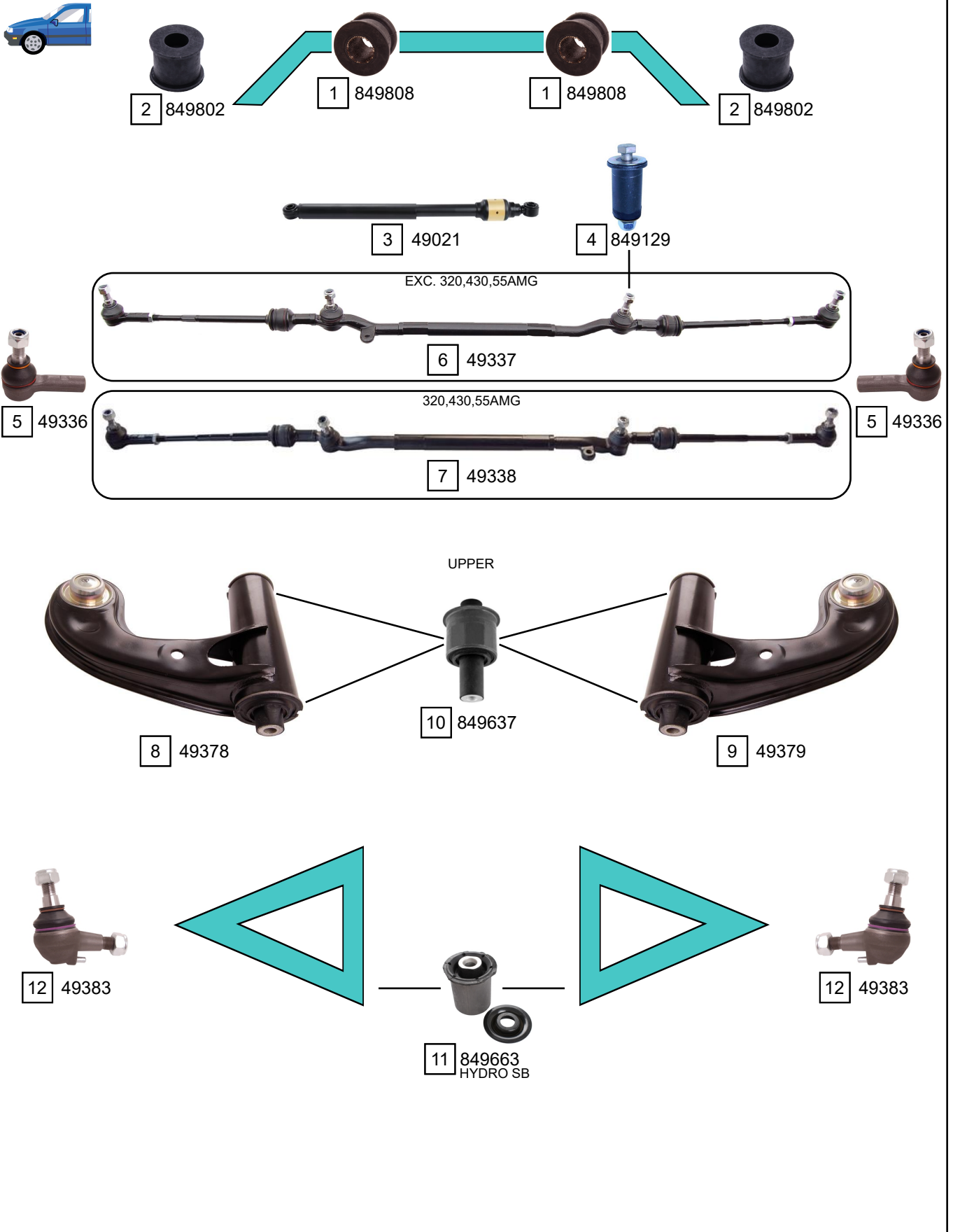
05/2008 - 06/2011



Ref.	Sidem Ref.	Description	OE-number	Measures	Ref.	Sidem Ref.	Description	OE-number	Measures
1	49420	track rod	210 350 33 06	L:247	11	849312	mounting axle body	203 351 01 42	di:13.2 do:91
2	49460	track rod	210 350 34 06	L:299	12	49001	mounting kit	140 350 11 70	th:M12x1.5R
3	49464	track rod	210 350 38 06	L:314	13	49382	ball joint rear	204 352 00 27	di:14.2 do:40
4	49578	TCA	203 350 07 53	c:11.3	14	R10079	mounting tool ring ø46 ø38	SEE PAGE III	di:38 do:46
5	849702	silentblock for TCA	Part of	di:12.1 do:36.2 (*)	15	849733	silentblock for TCA	203 352 00 65	di:12.1 do:51.4 (*)
6	849703	silentblock for TCA	Part of	di:13.1 do:36.2 (*)	16	49567	stabiliser link left	203 320 07 89	L:184
7	849701	silentblock for TCA	124 352 35 65	di:12.8 do:36.1 (*)	17	49568	stabiliser link right	203 320 08 89	L:184
8	849704	silentblock for TCA	201 352 88 65	di:12.2 do:31.5 (*)	18	849908	stabiliser mounting	203 326 03 81	di:13
9	849311	mounting axle body	171 351 01 42	di:17.5 do:77	19	849906	stabiliser mounting	203 326 01 81	di:15
10	849313	mounting axle body	129 351 21 42	di:14.4 do:66.2	20	849905	stabiliser mounting	203 326 00 81	di:16

CLK (C208-A208)

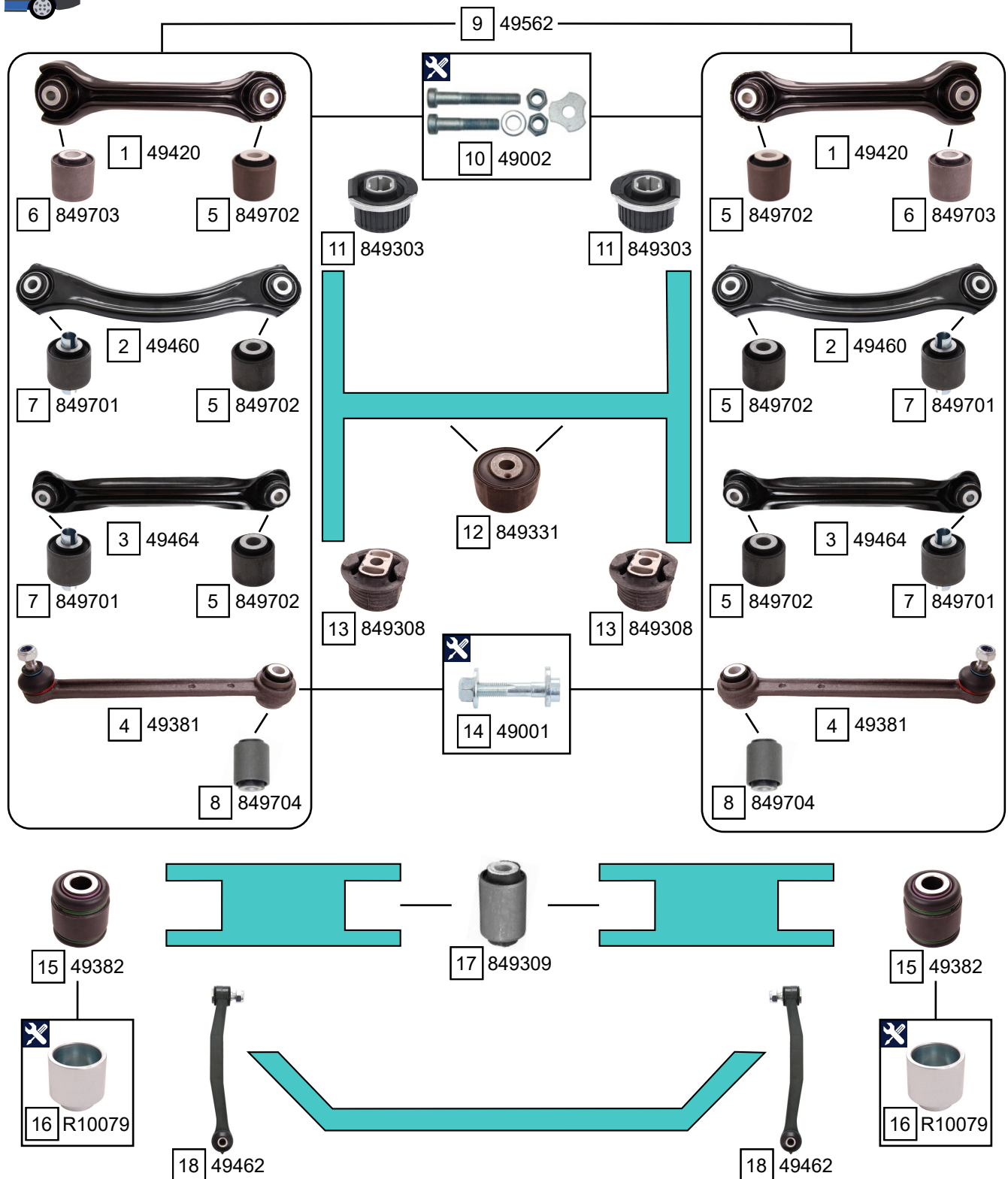
06/1997 - 06/2002



Ref.	Sidem Ref.	Description	OE-number	Measures	Ref.	Sidem Ref.	Description	OE-number	Measures
1	849808	stabiliser mounting	124 323 54 85	di:24	7	49338	tie rod	202 460 05 05	c:14.6 L:1318
2	849802	stabiliser mounting	124 323 49 85	di:18	8	49378	TCA left wbj	210 330 87 07	c:12.6
3	49021	steering damper	124 463 04 32		9	49379	TCA right wbj	210 330 88 07	c:12.6
4	849129	repair kit idler arm	202 460 03 19		10	849637	silentblock for TCA	Part of	di:10.2 do:49 (*)
5	49336	tie rod end	001 330 77 35	c:14.6 th:FM12X1.25R	11	849663	silentblock for TCA	Part of	di:14.9 do:60.2 (*)
6	49337	tie rod	202 460 04 05	L:1336	12	49383	ball joint	211 330 03 35	c:15.9

CLK (C208-A208)

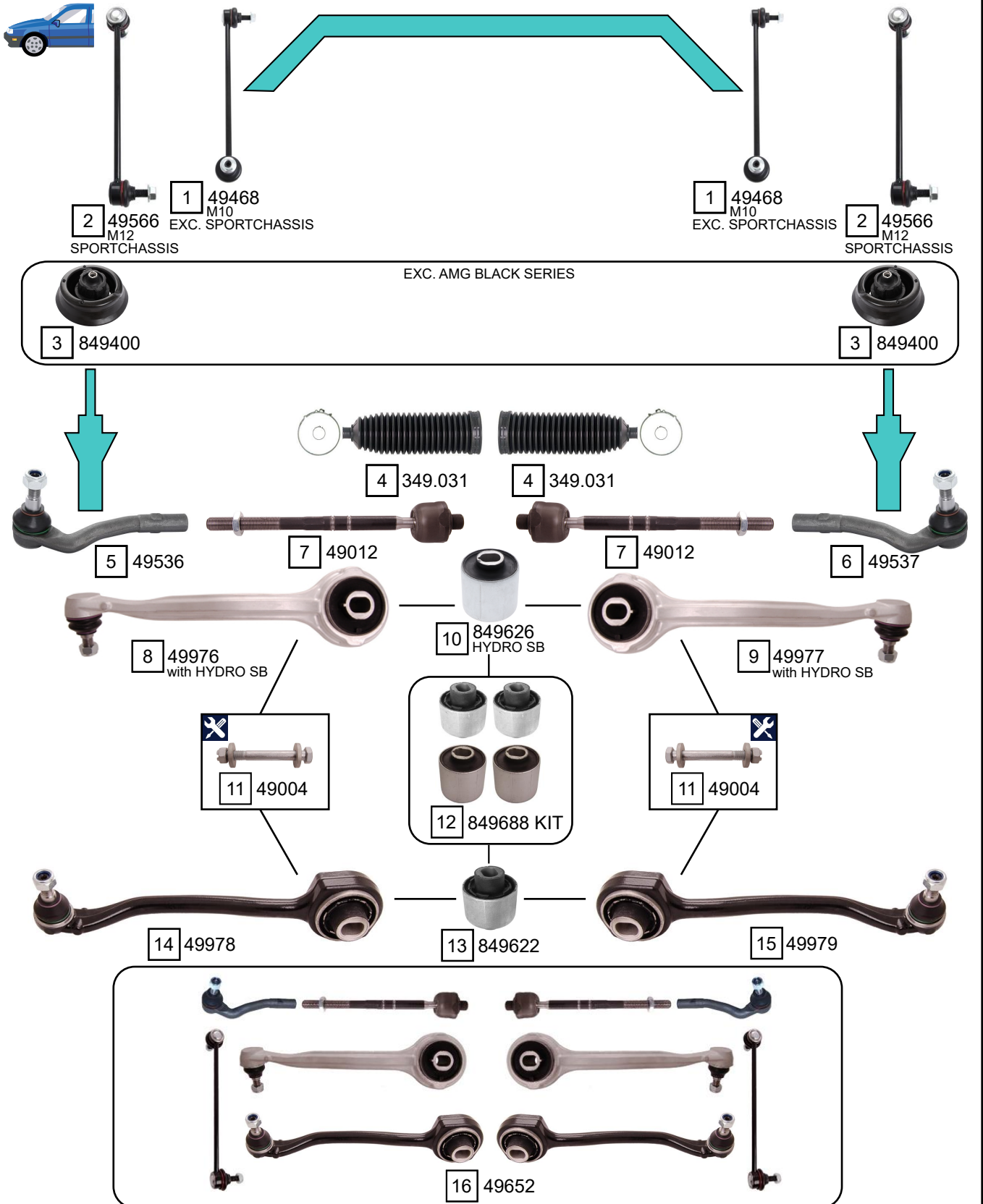
06/1997 - 06/2002



Ref.	Sidem Ref.	Description	OE-number	Measures	Ref.	Sidem Ref.	Description	OE-number	Measures
1	49420	track rod	210 350 33 06	L:247	10	49002	mounting kit	210 350 45 06	
2	49460	track rod	210 350 34 06	L:299	11	849303	mounting axle body	124 350 03 41	do:66
3	49464	track rod	210 350 38 06	L:314	12	849331	mounting axle body	202 351 11 42	di:15 do:66
4	49381	stabiliser link rear axle	210 350 21 53	L:245	13	849308	mounting axle body	202 350 34 08	di:18.3 do:82
5	849702	silentblock for TCA	Part of	di:12.1 do:36.2 (*)	14	49001	mounting kit	140 350 11 70	th:M12x1.5R
6	849703	silentblock for TCA	Part of	di:13.1 do:36.2 (*)	15	49382	ball joint rear	204 352 00 27	di:14.2 do:40
7	849701	silentblock for TCA	124 352 35 65	di:12.8 do:36.1 (*)	16	R10079	mounting tool ring ø46 ø38	SEE PAGE III	di:38 do:46
8	849704	silentblock for TCA	201 352 88 65	di:12.2 do:31.5 (*)	17	849309	silentblock for TCA	202 352 01 65	di:12 do:33 (*)
9	49562	set TCA	210 350 21 53 S1		18	49462	stabiliser link rear axle	124 320 02 89	L:200

CLK (C209)
CLK (A209)

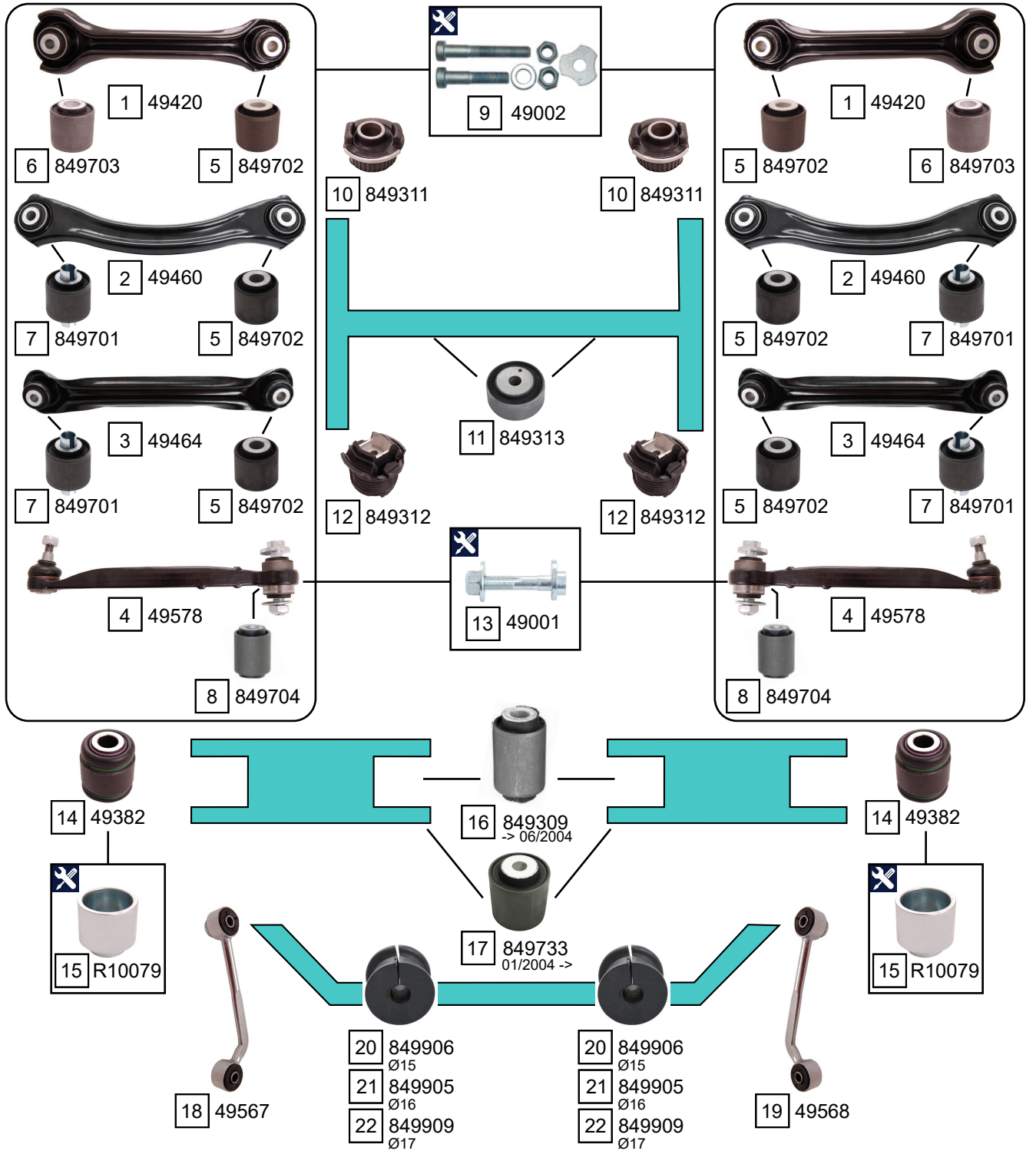
06/2002 - 05/2009
02/2003 - 03/2010



Ref.	Sidem Ref.	Description	OE-number	Measures	Ref.	Sidem Ref.	Description	OE-number	Measures
1	49468	stabiliser link	203 320 28 89	L:276	9	49977	TCA right wbj	204 330 44 11 S1	c:16.3
2	49566	stabiliser link	203 320 29 89	L:277	10	849626	silentblock for TCA	203 333 10 14	di:17.4 do:70.2 (*)
3	849400	strut mount	203 320 02 73	do:235	11	49004	mounting kit	000 330 00 18	th:M14X.15 L:120
4	349.031	steering rack gaiter	171 463 00 96	D:64 d:14 L:213	12	849688 KIT	silentblock kit	203 333 09 14 S1	
5	49536	tie rod end left	203 330 39 03	c:16 th:FM14X1.5R	13	849622	silentblock for TCA	203 333 09 14	di:10.2 do:70.5 (*)
6	49537	tie rod end right	203 330 40 03	c:16 th:FM14X1.5R	14	49978	TCA left wbj	204 330 19 11	c:16.3
7	49012	axial joint	230 338 00 15	th:MM16X1.5R L:244	15	49979	TCA right wbj	204 330 20 11	c:16.3
8	49976	TCA left wbj	204 330 43 11 S1	c:16.3	16	49652	set TCA + stab. link + tr	204 330 19 11 S3	

CLK (C209)
CLK (A209)

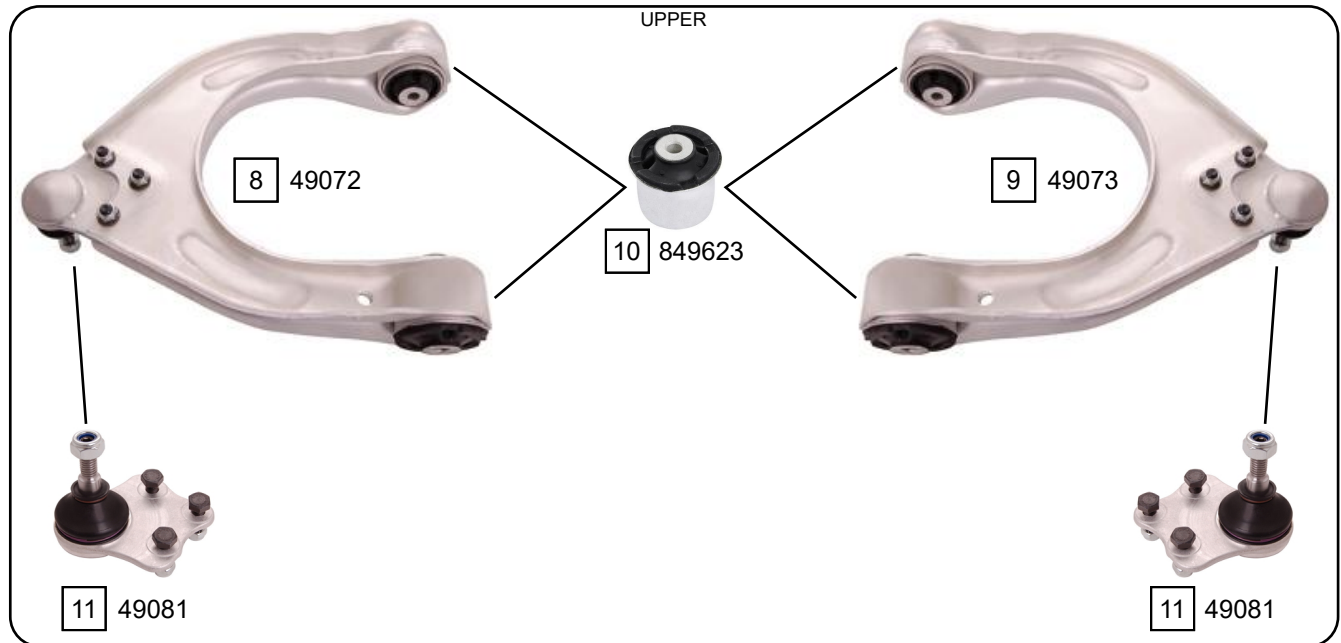
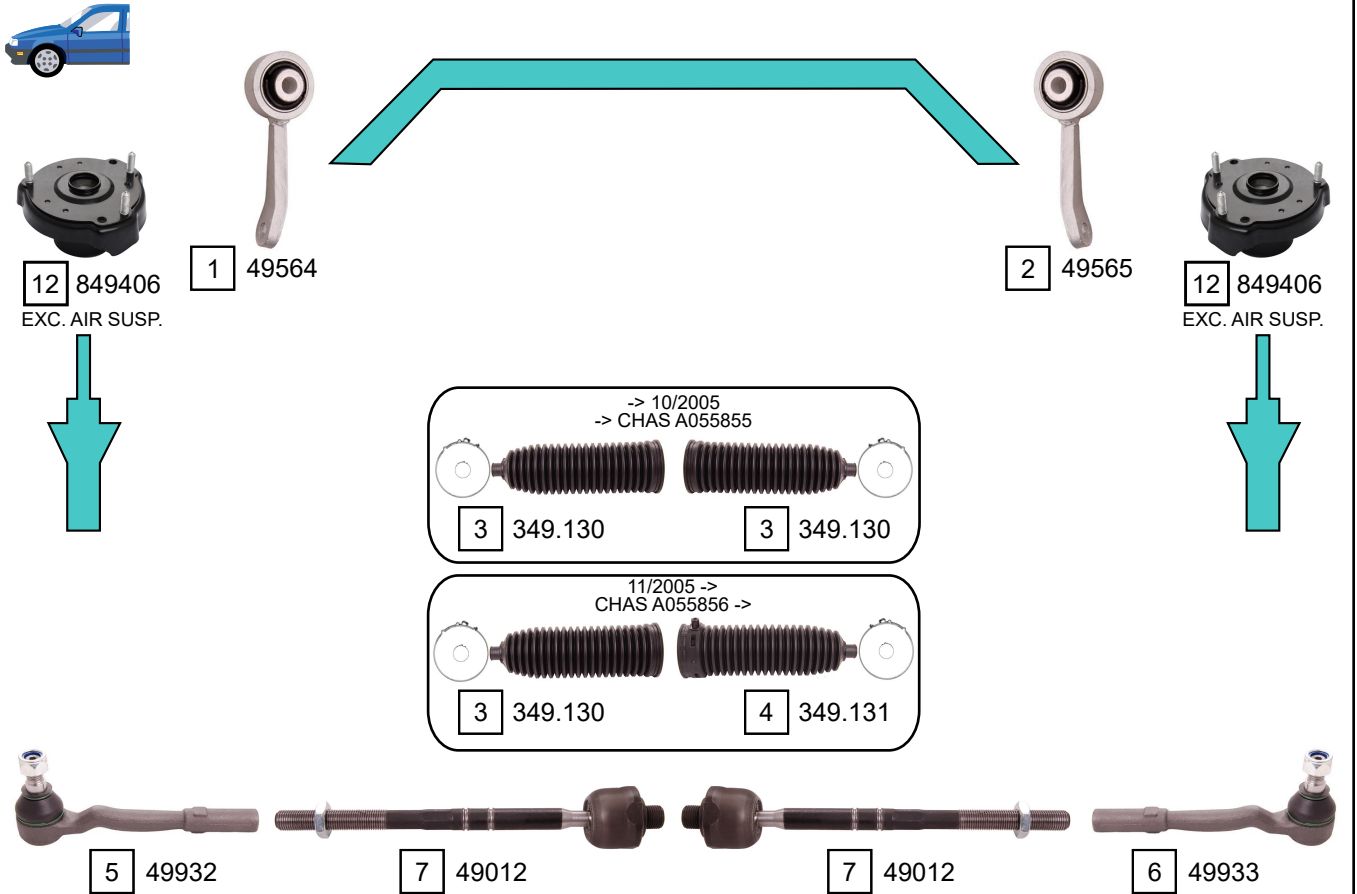
06/2002 - 05/2009
02/2003 - 03/2010



Ref.	Sidem Ref.	description	OE-number	measures	Ref.	Sidem Ref.	description	OE-number	measures
1	49420	track rod	210 350 33 06	L:247	12	849312	mounting axle body	203 351 01 42	di:13.2 do:91
2	49460	track rod	210 350 34 06	L:299	13	49001	mounting kit	140 350 11 70	th:M12x1.5R
3	49464	track rod	210 350 38 06	L:314	14	49382	ball joint rear	204 352 00 27	di:14.2 do:40
4	49578	TCA	203 350 07 53	c:11.3	15	R10079	mounting tool ring ø46 ø38	SEE PAGE III	di:38 do:46
5	849702	silentblock for TCA	Part of	di:12.1 do:36.2 (*)	16	849309	silentblock for TCA	202 352 01 65	di:12 do:33 (*)
6	849703	silentblock for TCA	Part of	di:13.1 do:36.2 (*)	17	849733	silentblock for TCA	203 352 00 65	di:12.1 do:51.4 (*)
7	849701	silentblock for TCA	124 352 35 65	di:12.8 do:36.1 (*)	18	49567	stabiliser link left	203 320 07 89	L:184
8	849704	silentblock for TCA	201 352 88 65	di:12.2 do:31.5 (*)	19	49568	stabiliser link right	203 320 08 89	L:184
9	49002	mounting kit	210 350 45 06		20	849906	stabiliser mounting	203 326 01 81	di:15
10	849311	mounting axle body	171 351 01 42	di:17.5 do:77	21	849905	stabiliser mounting	203 326 00 81	di:16
11	849313	mounting axle body	129 351 21 42	di:14.4 do:66.2	22	849909	stabiliser mounting	203 326 08 81	di:17

CLS (C219)

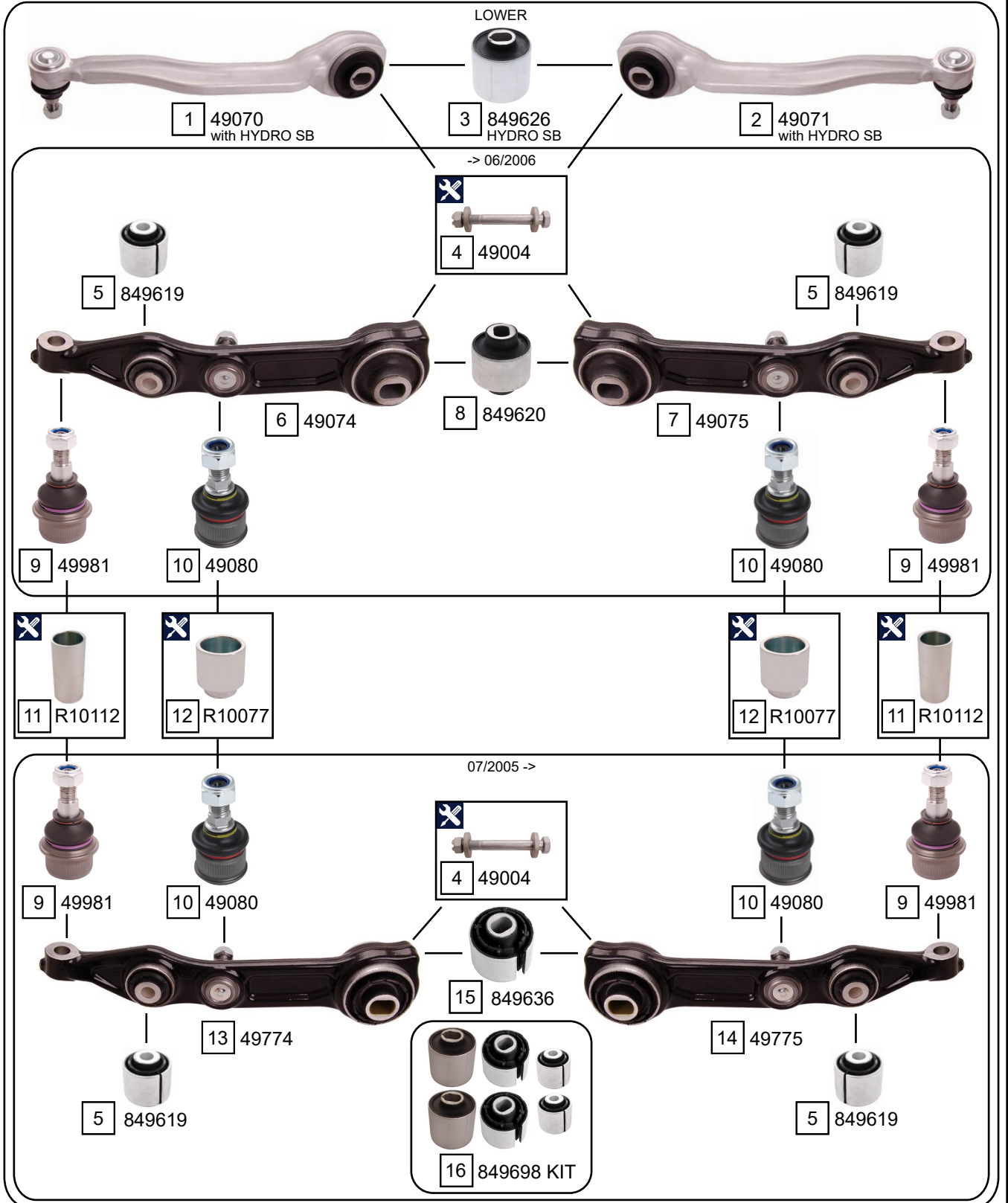
10/2004 - 12/2010



Ref.	Sidem Ref.	Description	OE-number	Measures	Ref.	Sidem Ref.	Description	OE-number	Measures
1	49564	stabiliser link left	211 320 39 89	L:130	7	49012	axial joint	230 338 00 15	th:MM16X1.5R L:244
2	49565	stabiliser link right	211 320 38 89	L:130	8	49072	TCA left wbj	211 330 89 07	c:13
3	349.130	steering rack gaiter	203 463 03 96	D:60 d:14 L:215	9	49073	TCA right wbj	211 330 90 07	c:13
4	349.131	steering rack gaiter	204 463 02 96	D:63 d:14 L:230	10	849623	silentblock for TCA	Part of	di:10 do:51.5 (*)
5	49932	tie rod end left	211 330 27 03	c:16.5 th:FM14X1.5R	11	49081	ball joint	Part of	c:13
6	49933	tie rod end right	211 330 28 03	c:16.5 th:FM14X1.5R	12	849406	strut mount	211 320 00 26	di:10.1 do:64 L:87

CLS (C219)

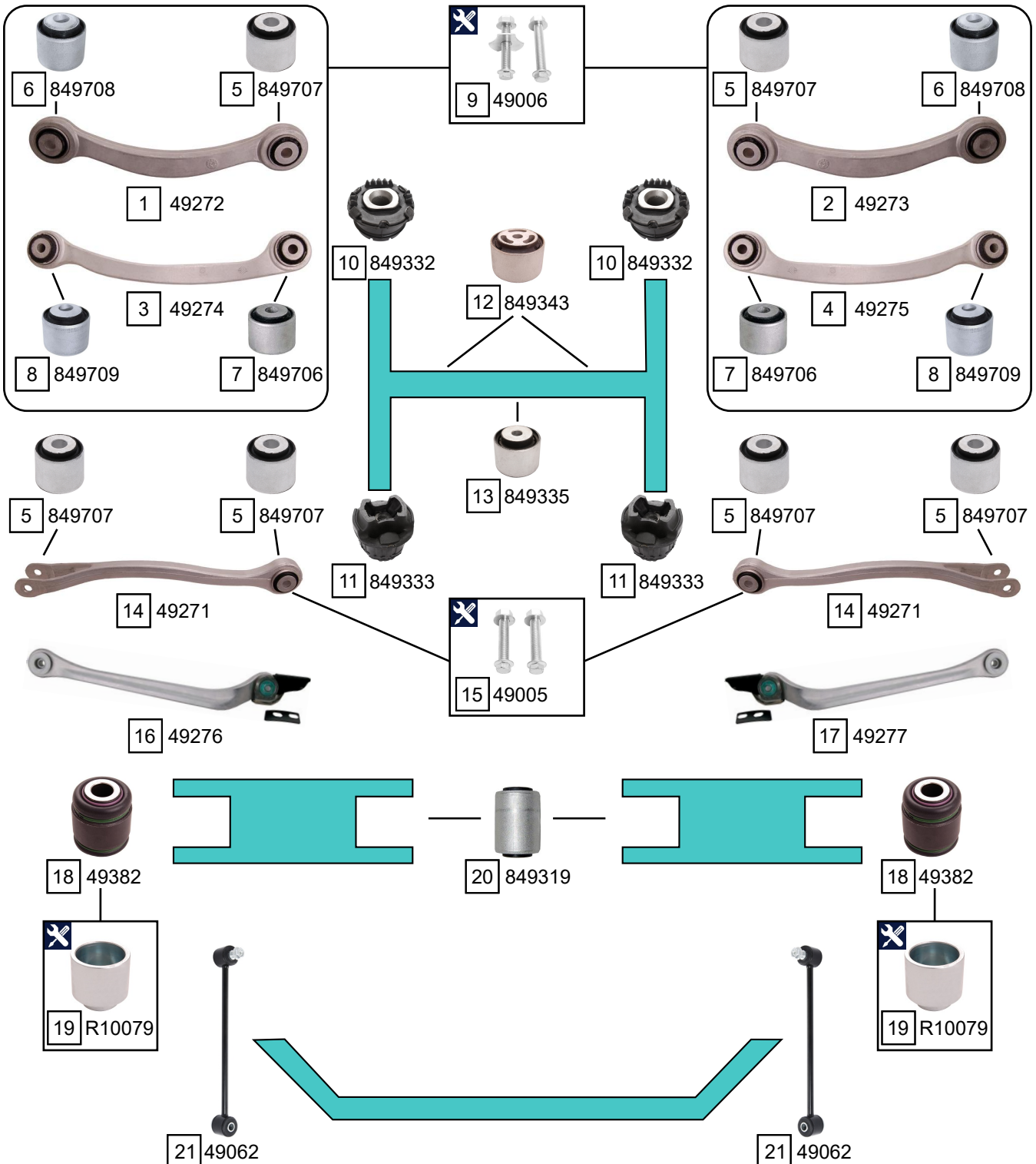
10/2004 - 12/2010



Ref.	Sidem Ref.	Description	OE-number	Measures	Ref.	Sidem Ref.	Description	OE-number	Measures
1	49070	TCA left wbj	211 330 43 11	c:17.2	9	49981	ball joint	220 333 07 27	c:17 do:41.3
2	49071	TCA right wbj	211 330 44 11	c:17.2	10	49080	ball joint	211 323 00 68	do:34.1
3	849626	silentblock for TCA	203 333 10 14	di:17.4 do:70.2 (*)	11	R10112	mounting tool ring long ø54	SEE PAGE III	di:46 do:54
4	49004	mounting kit	000 330 00 18	th:M14X.15 L:120	12	R10077	mounting tool ring ø42 ø34	SEE PAGE III	di:34 do:42
5	849619	silentblock for TCA	211 333 19 14	di:14.2 do:52.8 (*)	13	49774	TCA left wobj	211 330 91 07	c:16.4
6	49074	TCA left wobj	211 330 81 07	c:16.4	14	49775	TCA right wobj	211 330 92 07	c:16.4
7	49075	TCA right wobj	211 330 82 07	c:16.4	15	849636	silentblock for TCA	230 333 06 14	di:17.5 do:70 (*)
8	849620	silentblock for TCA	211 333 11 14	di:14 do:70.2 (*)	16	849698 KIT	silentblock kit	230 333 06 14 S1	

CLS (C219)

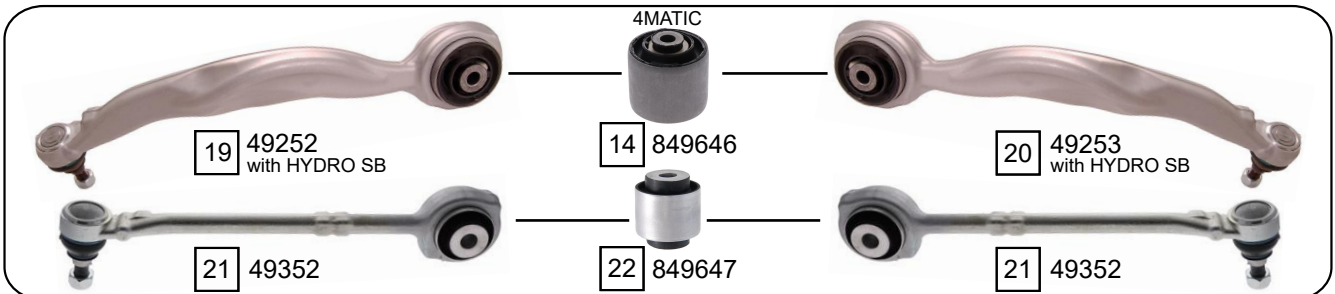
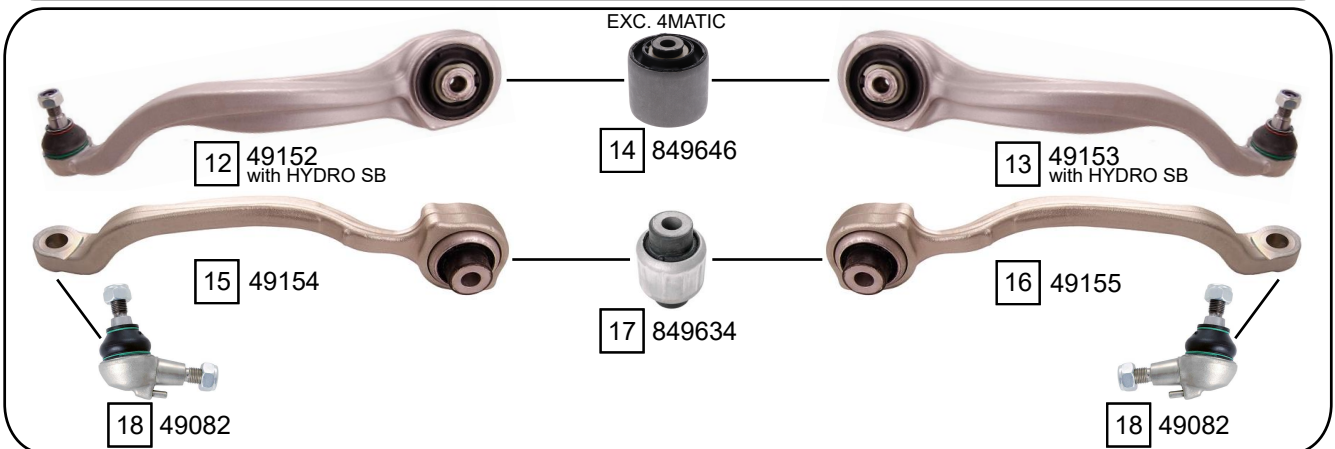
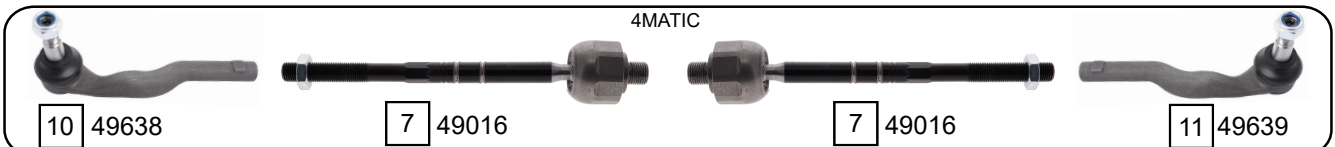
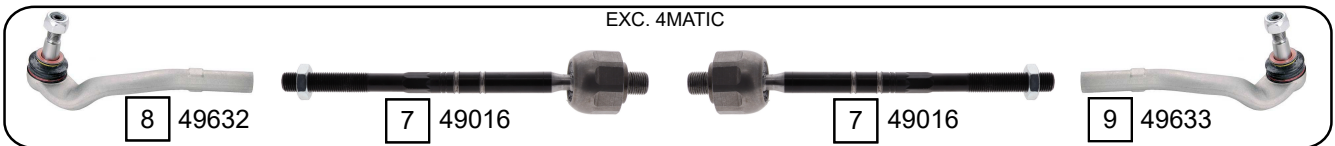
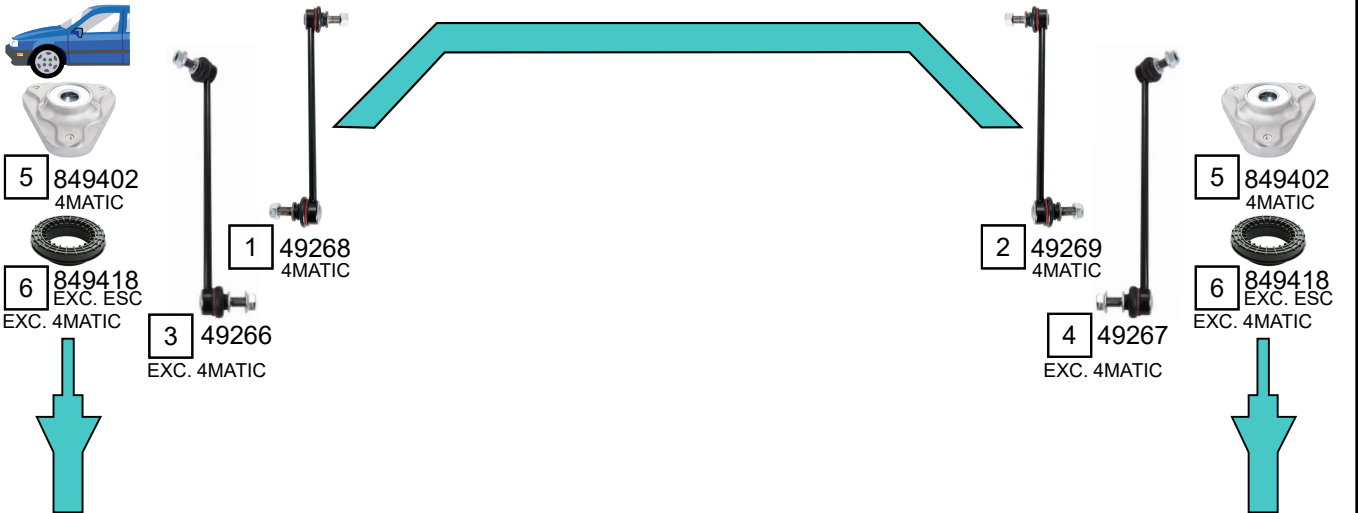
10/2004 - 12/2010



Ref.	Sidem Ref.	description	OE-number	measures	Ref.	Sidem Ref.	description	OE-number	measures
1	49272	TCA	230 350 35 06	L:262	12	849343	mounting axle body	230 351 14 42	di:12.1 do:66
2	49273	TCA	230 350 36 06	L:262	13	849335	mounting axle body	211 351 11 42	di:14.2 do:66.1
3	49274	TCA	230 350 27 06	L:324.5	14	49271	TCA	230 350 20 06	L:367.5
4	49275	TCA	230 350 28 06	L:324.5	15	49005	mounting kit	211 990 00 99	
5	849707	silentblock for TCA	230 352 15 65	di:12.1 do:38.5 (*)	16	49276	TCA	230 350 03 29	L:439.5
6	849708	silentblock for TCA	Part of	di:12.2 do:38.5 (*)	17	49277	TCA	230 350 04 29	L:439.5
7	849706	silentblock for TCA	211 352 08 65	di:12.1 do:41.5 (*)	18	49382	ball joint rear	204 352 00 27	di:14.2 do:40
8	849709	silentblock for TCA	Part of	di:12.2 do:41.5 (*)	19	R10079	mounting tool ring ø46 ø38	SEE PAGE III	di:38 do:46
9	49006	mounting kit	211 990 02 99		20	849319	silentblock for TCA	222 352 08 65	di:12.2 do:51.4 (*)
10	849332	mounting axle body	211 351 14 42	di:17.3 do:77	21	49062	stabiliser link rear axle	211 320 33 89	L:260
11	849333	mounting axle body	230 351 02 42	di:14 do:92					

CLS (C218)
CLS SHOOTING BRAKE(X218)

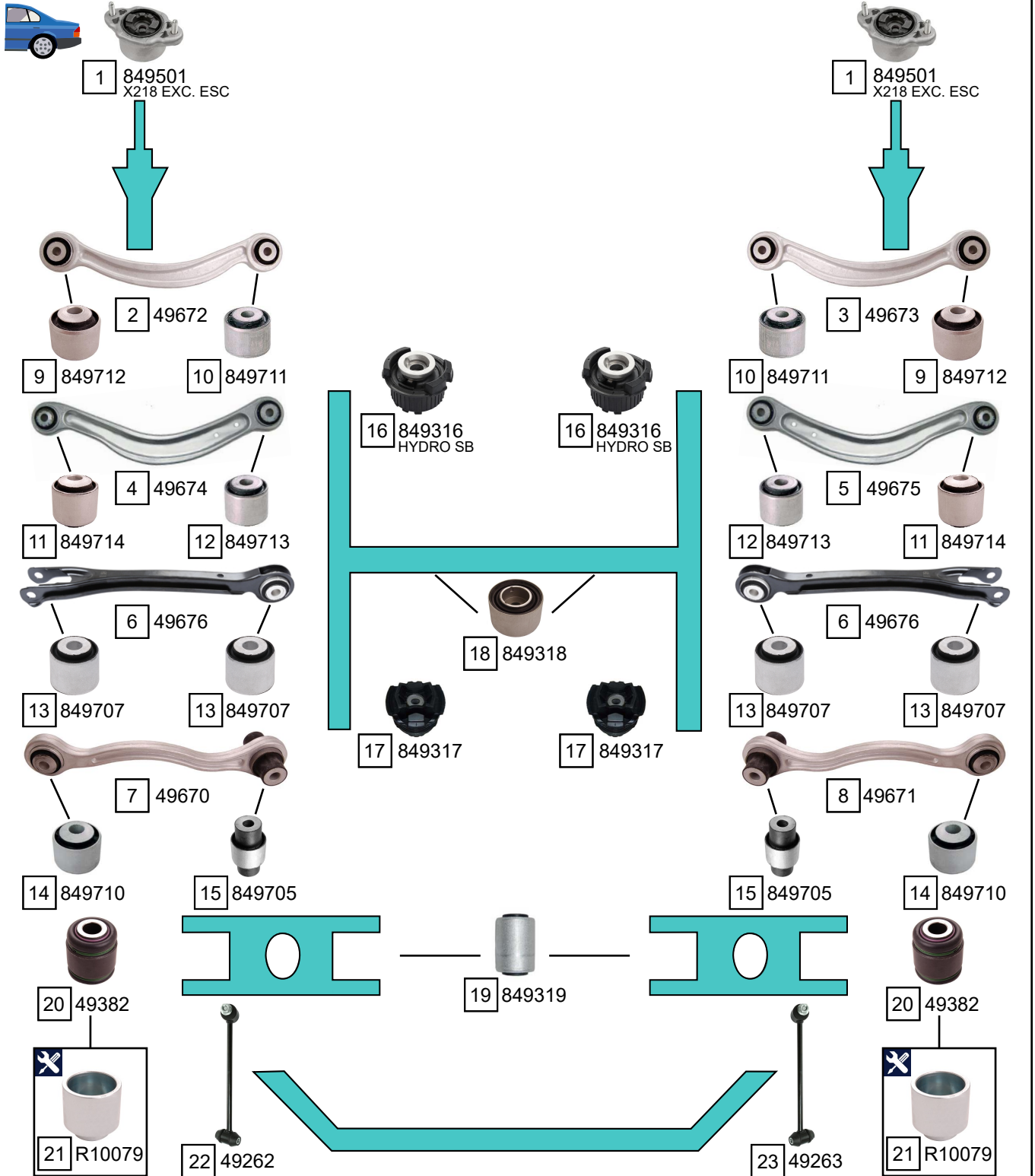
01/2011 - 12/2017
10/2012 - 12/2017



Ref.	Sidem Ref.	description	OE-number	measures	Ref.	Sidem Ref.	description	OE-number	measures
1	49268	stabiliser link left	212 320 25 89	L:275	12	49152	TCA left wbj	218 330 11 11	c:17.5
2	49269	stabiliser link right	212 320 26 89	L:275	13	49153	TCA right wbj	218 330 12 11	c:17.5
3	49266	stabiliser link left	212 320 11 89	L:324	14	849646	silentblock for TCA	212 333 03 14	di:14.2 do:75.5 (*)
4	49267	stabiliser link right	212 320 12 89	L:324	15	49154	TCA left wobj	218 330 07 11	
5	849402	strut mount	212 323 00 20	di:15	16	49155	TCA right wobj	218 330 08 11	
6	849418	bearing	204 981 00 25	di:82 do:126.5 L:36.4	17	849634	silentblock for TCA	Part of	di:14.2 do:53.2 (*)
7	49016	axial joint	212 330 28 03	th:MM16X1.5R L:237	18	49082	ball joint	212 330 01 35	c:17.8
8	49632	tie rod end left	212 330 23 03	c:16 th:FM14x1.5R	19	49252	TCA left wbj	212 330 31 11 S1	c:17.3
9	49633	tie rod end right	212 330 22 03	c:16 th:FM14x1.5R	20	49253	TCA right wbj	212 330 32 11 S1	c:17.3
10	49638	tie rod end left	212 460 01 05	c:16.5 th:FM14X1.5R	21	49352	TCA wbj	212 330 19 11	c:17.8
11	49639	tie rod end right	212 460 02 05	c:16.5 th:FM14X1.5R	22	849647	silentblock for TCA	Part of	di:14.8 do:55.2 (*)

CLS (C218)
CLS SHOOTING BRAKE (X218)

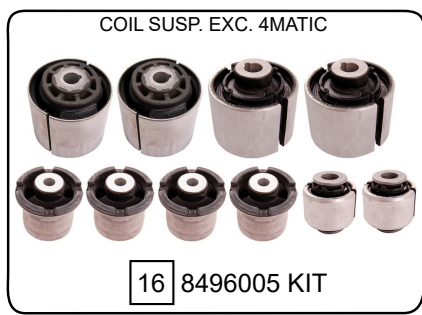
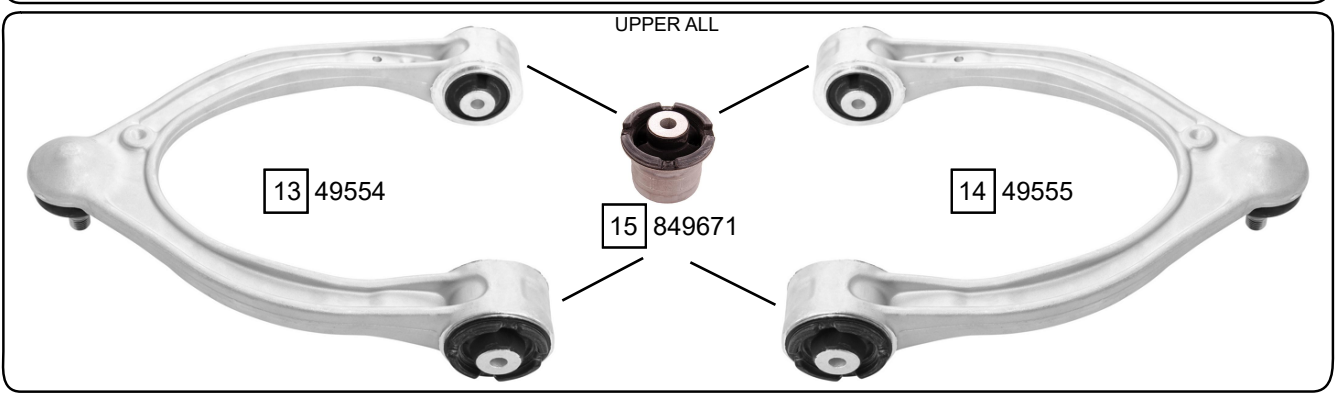
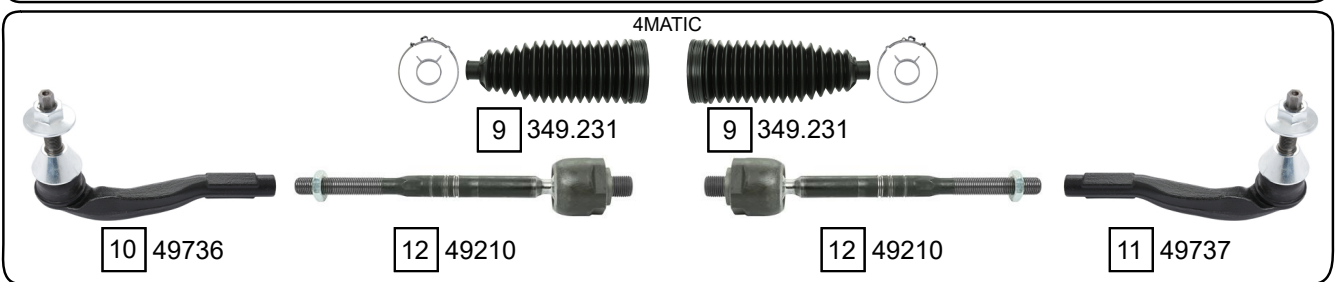
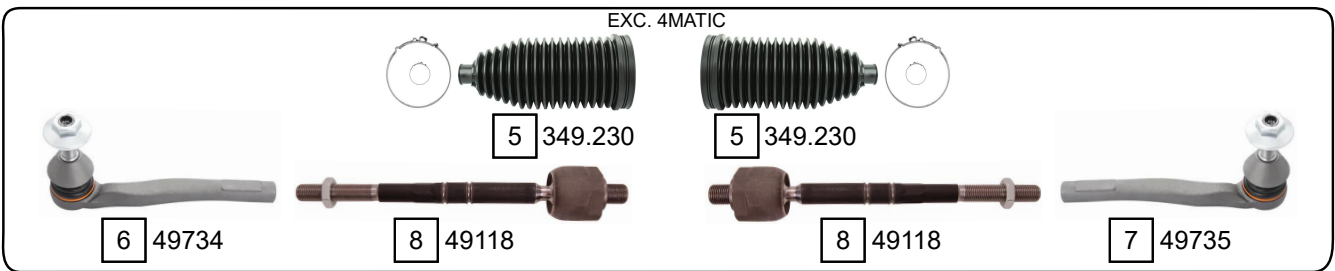
01/2011 - 12/2017
10/2012 - 12/2017



Ref.	Sidem Ref.	Description	OE-number	Measures	Ref.	Sidem Ref.	Description	OE-number	Measures
1	849501	strut mount	204 320 09 73	di:10.2 do:70.2 L:45	13	849707	silentblock for TCA	230 352 15 65	di:12.1 do:38.5 (*)
2	49672	TCA left	204 350 21 06	L:312.5	14	849710	silentblock for TCA	Part of	di:12.3 do:40.2 (*)
3	49673	TCA right	204 350 22 06	L:312.5	15	849705	silentblock for TCA	Part of	di:12.2 do:40.3 (*)
4	49674	TCA left	205 350 61 03	L:342.5	16	849316	mounting axle body	204 351 08 42	di:17.8 do:77
5	49675	TCA right	205 350 62 03	L:342.5	17	849317	mounting axle body	204 350 02 75	di:13.3 do:90
6	49676	TCA	205 350 63 03	L:331.5	18	849318	mounting axle body	204 351 04 42	di:15.2 do:74.2
7	49670	TCA left	205 350 65 03	L:265	19	849319	silentblock for TCA	222 352 08 65	di:12.2 do:51.4 (*)
8	49671	TCA right	205 350 66 03	L:265	20	49382	ball joint rear	204 352 00 27	di:14.2 do:40
9	849712	silentblock for TCA	Part of	di:12.3 do:43.5 (*)	21	R10079	mounting tool ring ø46 ø38	SEE PAGE III	di:38 do:46
10	849711	silentblock for TCA	Part of	di:12.3 do:43.5 (*)	22	49262	stabiliser link left	204 320 05 89	L:232
11	849714	silentblock for TCA	Part of	di:12.2 do:39.5 (*)	23	49263	stabiliser link right	204 320 04 89	L:232
12	849713	silentblock for TCA	Part of	di:12.3 do:39.5 (*)					

CLS (C257)

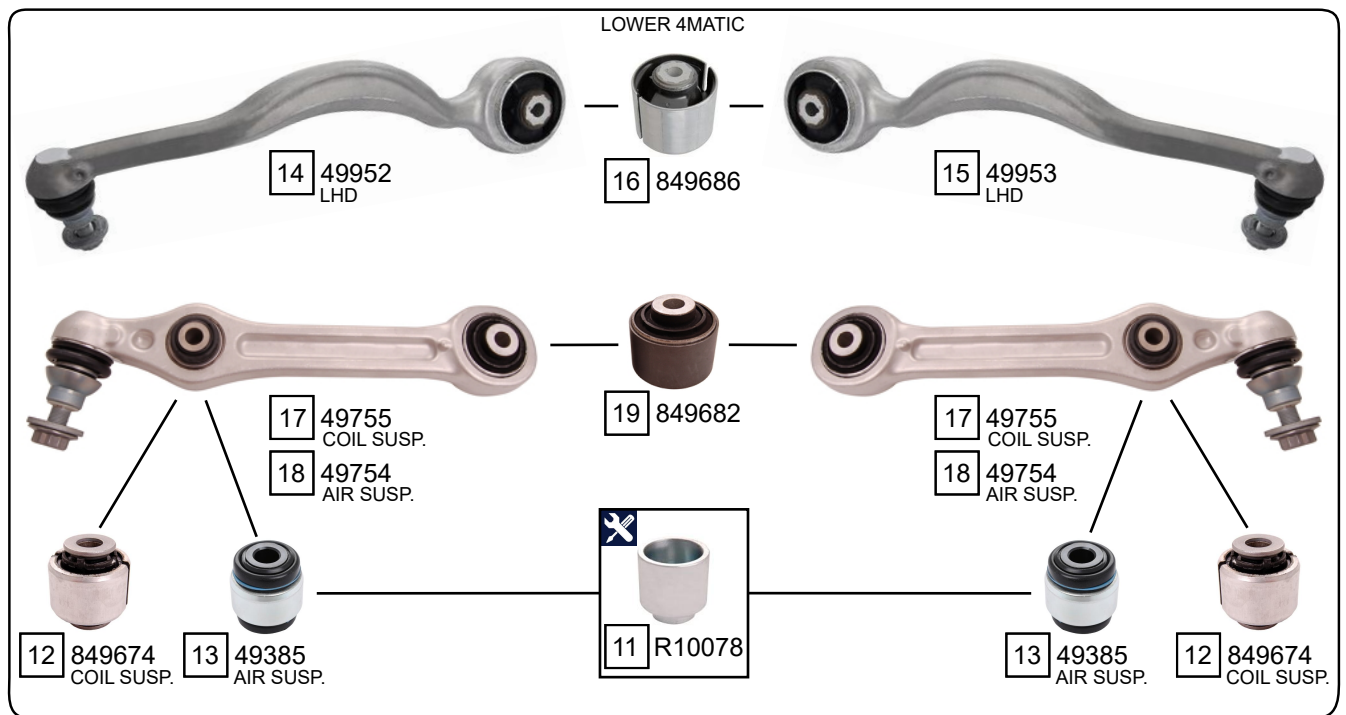
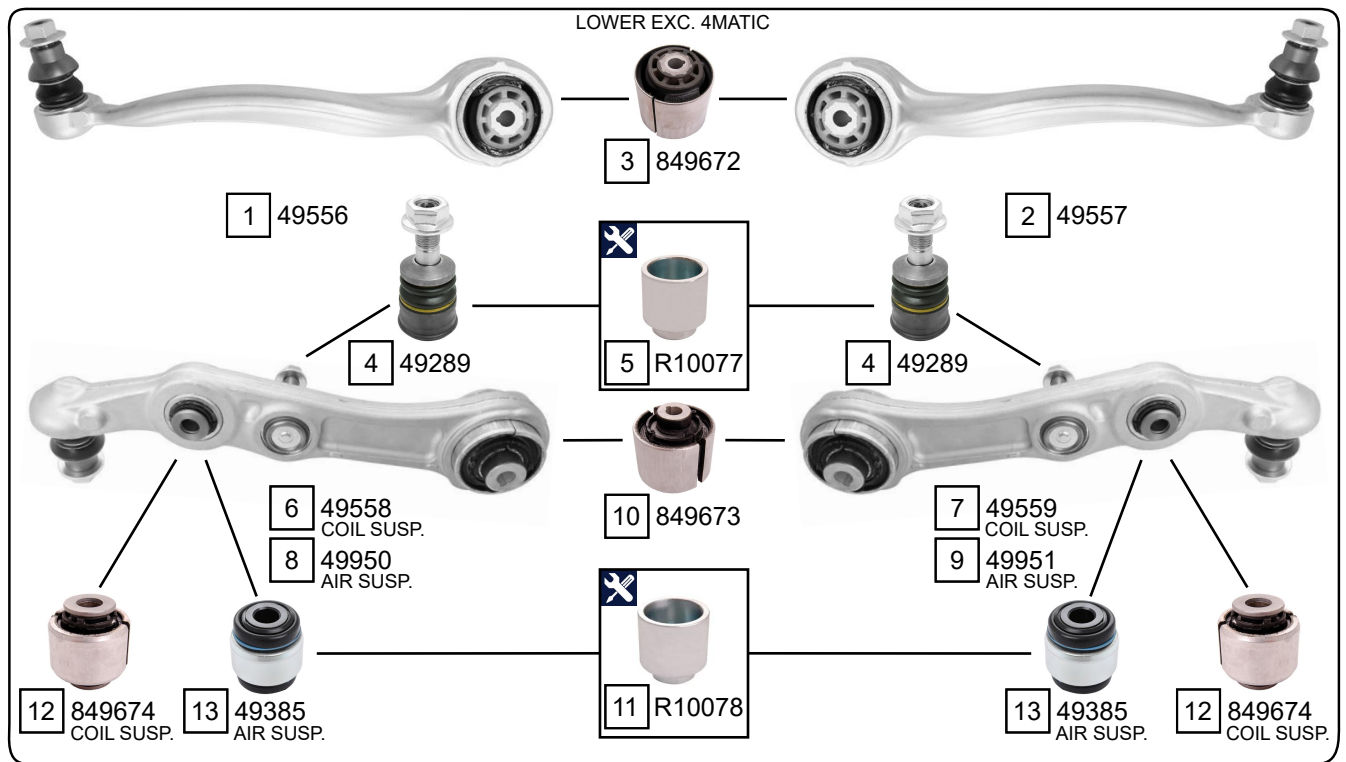
12/2017 ->



Ref.	Sidem Ref.	Description	OE-number	Measures	Ref.	Sidem Ref.	Description	OE-number	Measures
1	49768	stabiliser link left	205 323 09 17		10	49736	tie rod end left	205 460 00 05	c:21.5 th:FM14X1.5R
2	49769	stabiliser link right	205 323 10 17		11	49737	tie rod end right	205 460 01 05	c:21.5 th:FM14X1.5R
3	49762	stabiliser link left	205 323 07 17		12	49210	axial joint	205 460 04 05	th:MM16X1.5R L:242
4	49763	stabiliser link right	205 323 08 17		13	49554	TCA left wbj	205 330 55 01	c:14.7
5	349.230	steering rack gaiter	205 460 06 96	D:68 d:15.5 L:168	14	49555	TCA right wbj	205 330 56 01	c:14.7
6	49734	tie rod end left	205 460 06 05	c:21.5 th:FM14X1.5R	15	849671	silentblock for TCA	Part of	di:10 do:51.2 (*)
7	49735	tie rod end right	205 460 07 05	c:21.5 th:FM14X1.5R	16	8496005 KIT	silentblock kit	205 333 00 14 S1	
8	49118	axial joint	205 460 08 05	th:MM16X1.5R L:245	17	849696 KIT	silentblock kit	205 333 00 14 S1	
9	349.231	steering rack gaiter	205 463 00 96	D:61.5 d:16 L:197					

CLS (C257)

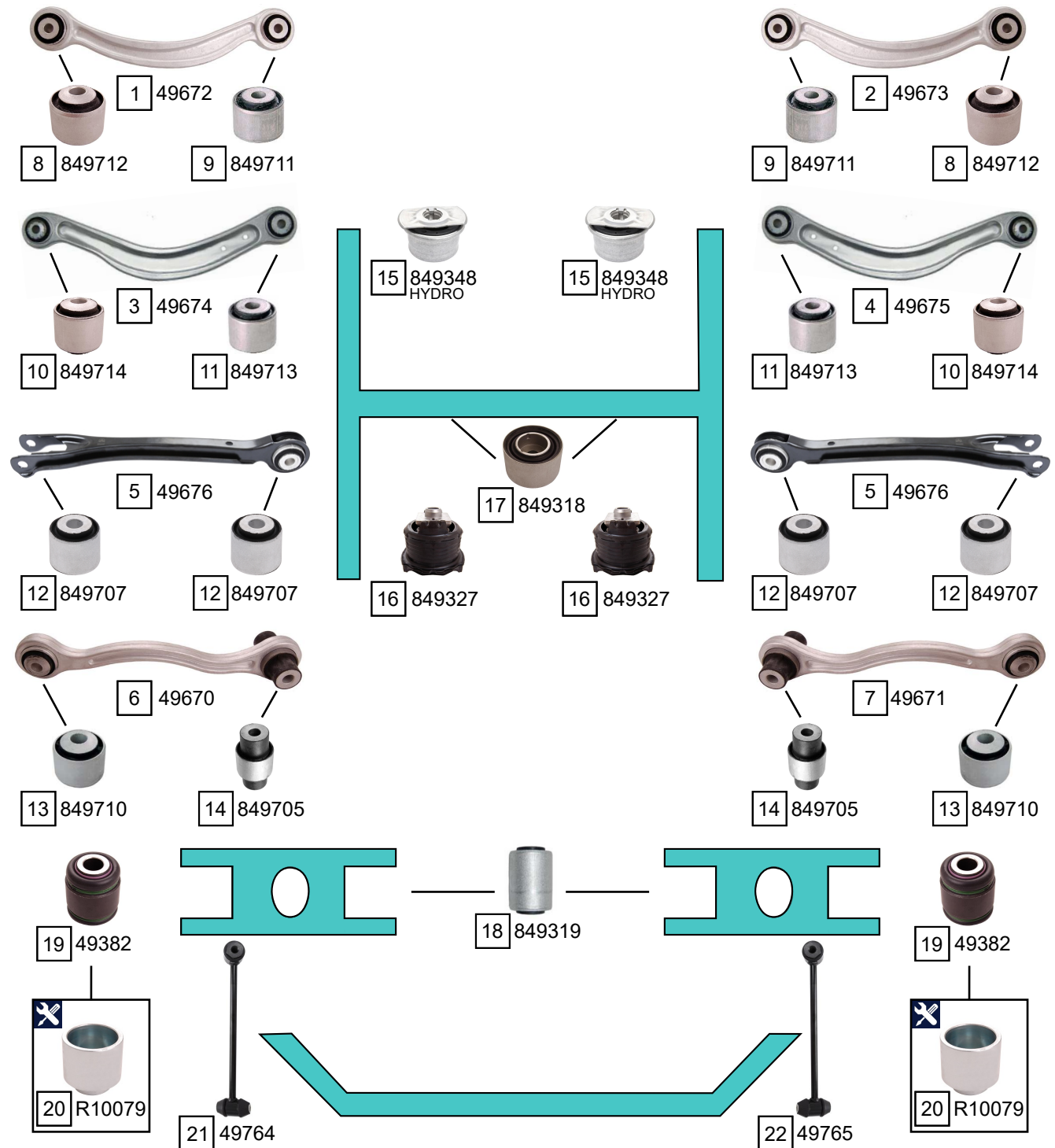
12/2017 ->



Ref.	Sidem Ref.	Description	OE-number	Measures	Ref.	Sidem Ref.	Description	OE-number	Measures
1	49556	TCA left wbj	205 330 15 05	c:16	11	R10078	mounting tool ring ø44 ø36	SEE PAGE III	di:36 do:44
2	49557	TCA right wbj	205 330 16 05	c:16	12	849674	silentblock for TCA	Part of	di:14.1 do:46 (*)
3	849672	silentblock for TCA	Part of	di:14 do:76 (*)	13	49385	ball joint	205 352 37 00	di:14.1 do:44
4	49289	ball joint	Part of	c:14 do:34.2	14	49952	TCA left wbj	213 330 21 00	c:16
5	R10077	mounting tool ring ø42 ø34	SEE PAGE III	di:34 do:42	15	49953	TCA right wbj	213 330 22 00	c:16
6	49558	TCA left wbj	205 330 59 01	c:16	16	849686	silentblock for TCA	Part of	di:14.1 do:75 (*)
7	49559	TCA right wbj	205 330 60 01	c:16	17	49755	TCA wbj	205 330 67 10	c:16 L:340
8	49950	TCA left wbj	205 330 21 07	c:16	18	49754	TCA wbj	205 330 58 01	c:16 L:340
9	49951	TCA right wbj	205 330 22 07	c:16	19	849682	silentblock for TCA	Part of	di:14.1 do:55.5 (*)
10	849673	silentblock for TCA	Part of	di:14.1 do:71 (*)					

CLS (C257)

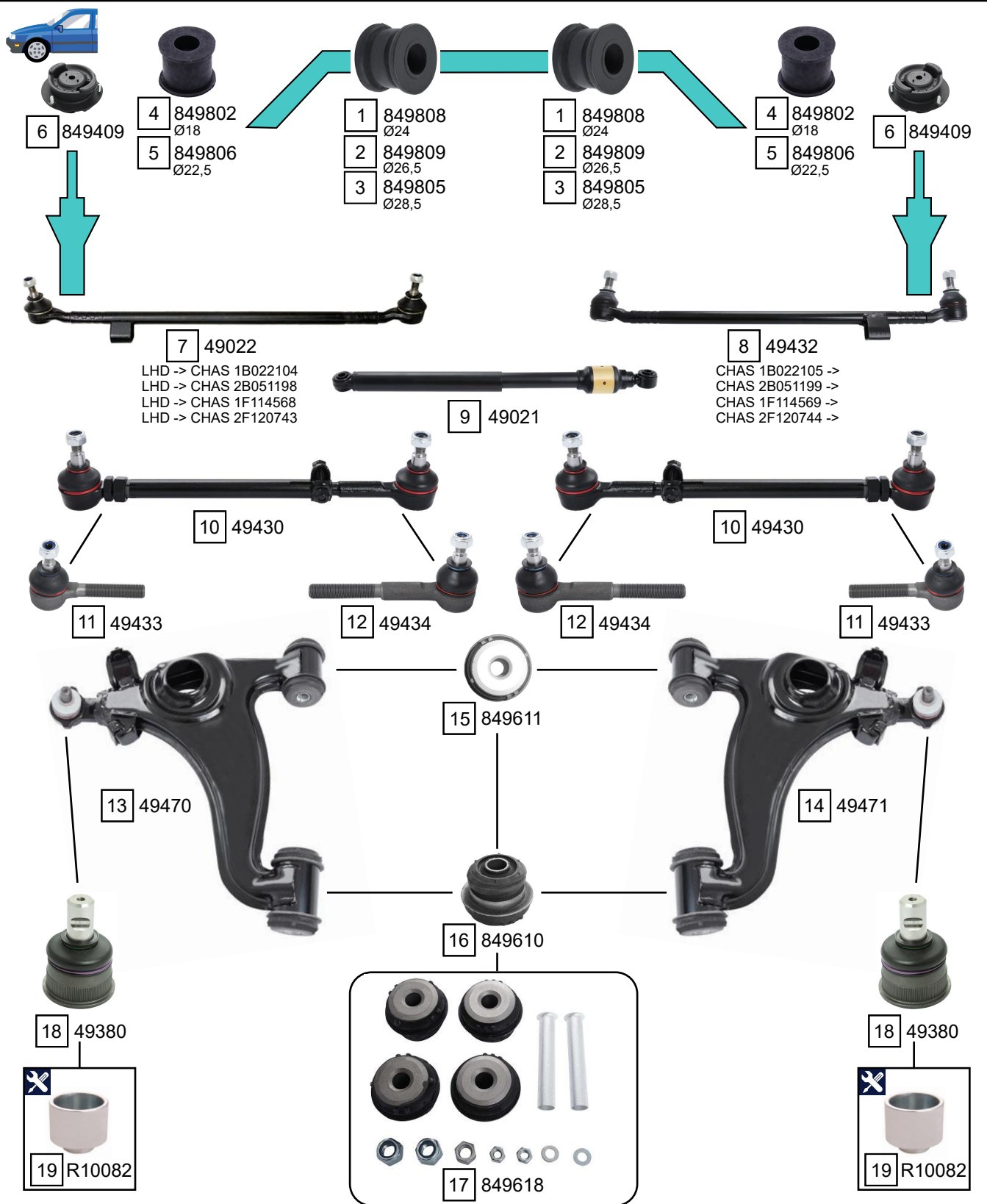
12/2017 ->



Ref.	Sidem Ref.	description	OE-number	measures	Ref.	Sidem Ref.	description	OE-number	measures
1	49672	TCA left	204 350 21 06	L:312.5	12	849707	silentblock for TCA	230 352 15 65	di:12.1 do:38.5 (*)
2	49673	TCA right	204 350 22 06	L:312.5	13	849710	silentblock for TCA	Part of	di:12.3 do:40.2 (*)
3	49674	TCA left	205 350 61 03	L:342.5	14	849705	silentblock for TCA	Part of	di:12.2 do:40.3 (*)
4	49675	TCA right	205 350 62 03	L:342.5	15	849348	mounting axle body	218 351 02 00	di:18.5 do:85
5	49676	TCA	205 350 63 03	L:331.5	16	849327	mounting axle body	205 351 19 00	di:15.1 do:91.5
6	49670	TCA left	205 350 65 03	L:265	17	849318	mounting axle body	204 351 04 42	di:15.2 do:74.2
7	49671	TCA right	205 350 66 03	L:265	18	849319	silentblock for TCA	222 352 08 65	di:12.2 do:51.4 (*)
8	849712	silentblock for TCA	Part of	di:12.3 do:43.5 (*)	19	49382	ball joint rear	204 352 00 27	di:14.2 do:40
9	849711	silentblock for TCA	Part of	di:12.3 do:43.5 (*)	20	R10079	mounting tool ring ø46 ø38	SEE PAGE III	di:38 do:46
10	849714	silentblock for TCA	Part of	di:12.2 do:39.5 (*)	21	49764	stabiliser link left	205 326 03 17	L:232
11	849713	silentblock for TCA	Part of	di:12.3 do:39.5 (*)	22	49765	stabiliser link right	205 326 04 17	L:232

E-CLASS (C124-W124-T124) EXC. 4MATIC

12/1984 - 06/1995



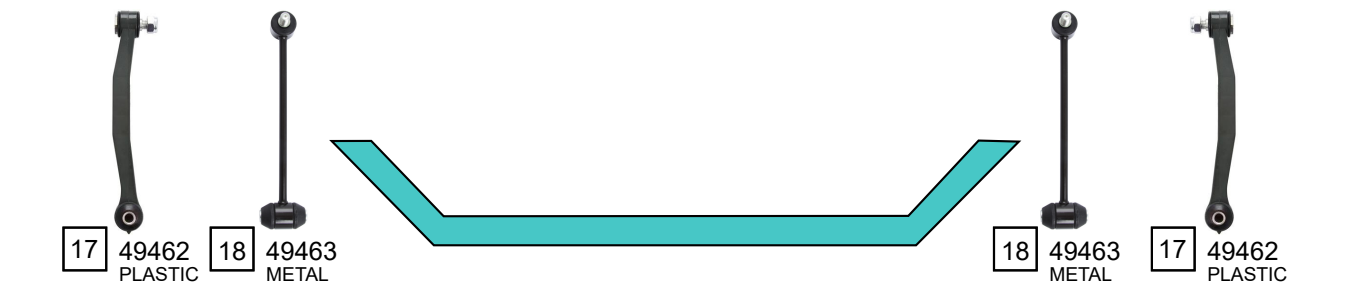
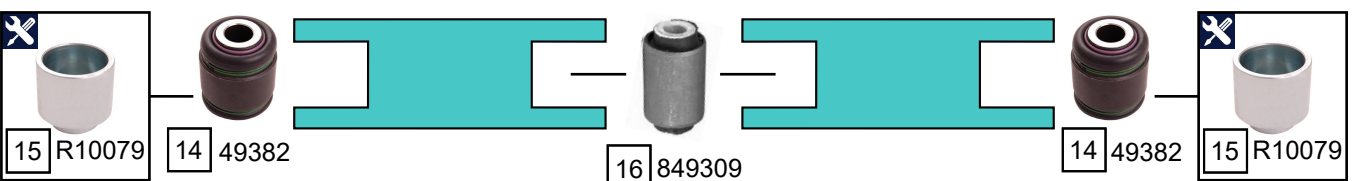
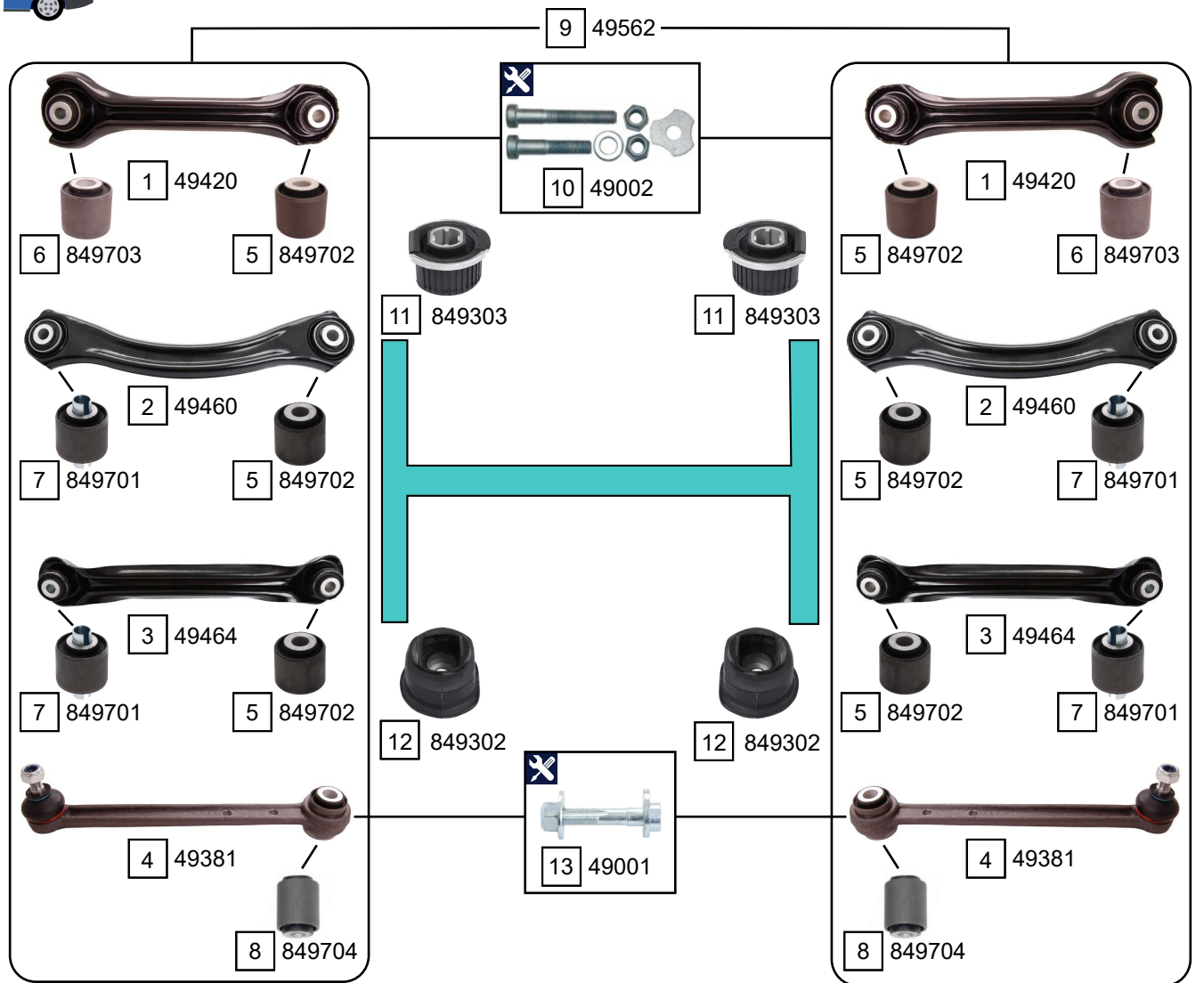
7 49022
LHD -> CHAS 1B022104
LHD -> CHAS 2B051198
LHD -> CHAS 1F114568
LHD -> CHAS 2F120743

8 49432
CHAS 1B022105 ->
CHAS 2B051199 ->
CHAS 1F114569 ->
CHAS 2F120744 ->

Ref.	Sidem Ref.	Description	OE-number	Measures	Ref.	Sidem Ref.	Description	OE-number	Measures
1	849808	stabiliser mounting	124 323 54 85	di:24	11	49433	tie rod end	000 338 54 10	c:12.6 th:MM14X1.5R
2	849809	stabiliser mounting	124 323 56 85	di:26.5	12	49434	tie rod end	000 338 59 10	c:12.6 th:MM14X1.5L
3	849805	stabiliser mounting	124 323 46 85	di:28	13	49470	TCA left wbj	124 330 30 07	c:18
4	849802	stabiliser mounting	124 323 49 85	di:18	14	49471	TCA right wbj	124 330 31 07	c:18
5	849806	stabiliser mounting	124 323 50 85	di:22.5	15	849611	silentblock for TCA	124 333 43 14	di:16.2 do:48.2 (*)
6	849409	strut mount	124 320 14 44	di:14.2 do:138 L:64	16	849610	silentblock for TCA	124 333 42 14	di:16.2 do:48.2 (*)
7	49022	tie rod center	124 460 08 05	c:12.6 L:538	17	849618	silentblock kit	124 330 05 75	
8	49432	tie rod center	124 460 12 05	c:14.5 L:526	18	49380	ball joint lower	124 333 03 27	c:18 do:46.3
9	49021	steering damper	124 463 04 32		19	R10082	mounting tool ring ø52 ø44	SEE PAGE III	
10	49430	tie rod	124 330 08 03	c:12.6 L:310					

E-CLASS (C124-W124-T124) EXC. 4MATIC

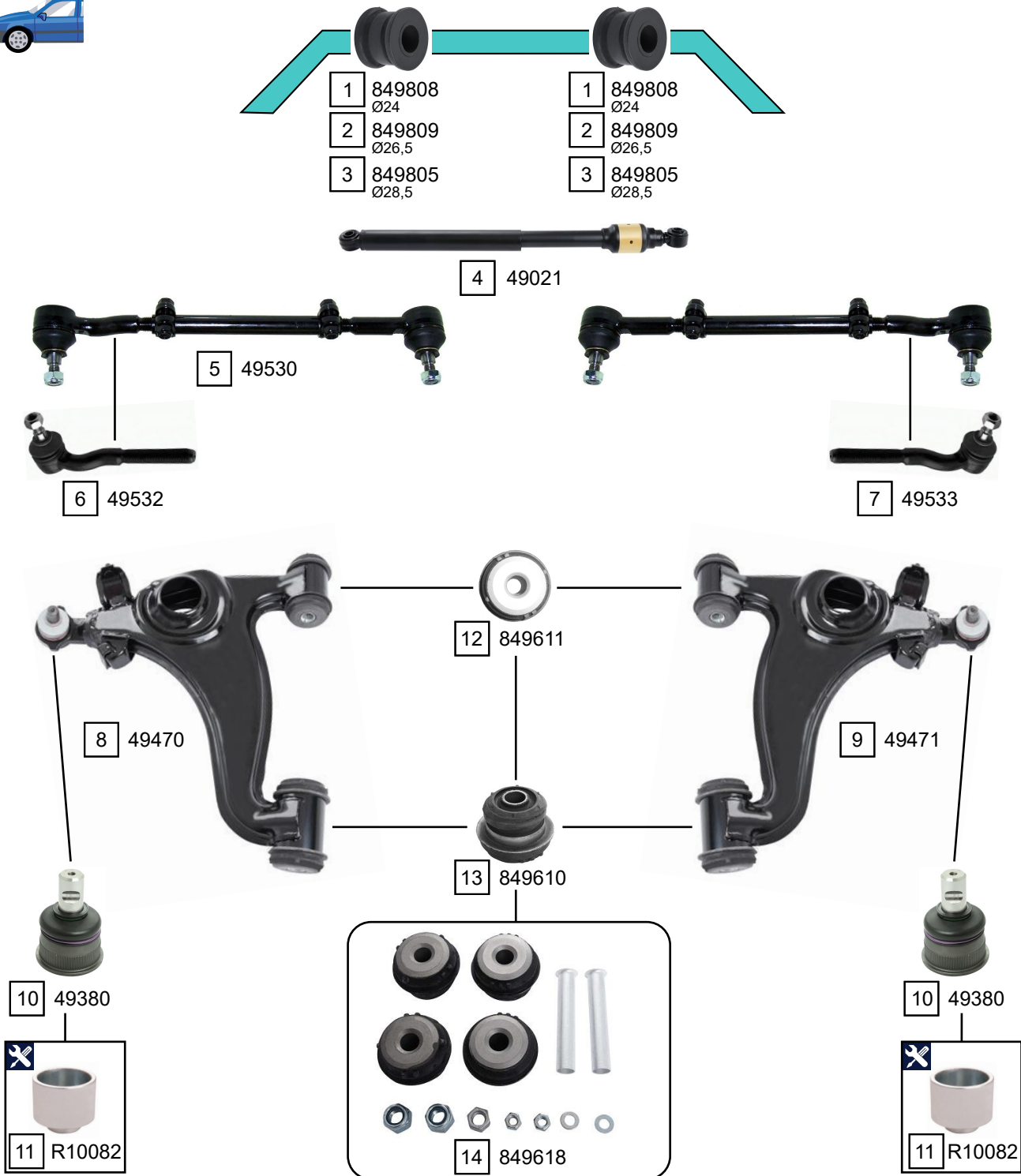
12/1984 - 06/1995



Ref.	Sidem Ref.	Description	OE-number	Measures	Ref.	Sidem Ref.	Description	OE-number	Measures
1	49420	track rod	210 350 33 06	L:247	10	49002	mounting kit	210 350 45 06	
2	49460	track rod	210 350 34 06	L:299	11	849303	mounting axle body	124 350 03 41	do:66
3	49464	track rod	210 350 38 06	L:314	12	849302	mounting axle body	124 351 02 42	di:18.2 do:83
4	49381	stabiliser link rear axle	210 350 21 53	L:245	13	49001	mounting kit	140 350 11 70	th:M12x1.5R
5	849702	silentblock for TCA	Part of	di:12.1 do:36.2 (*)	14	49382	ball joint rear	204 352 00 27	di:14.2 do:40
6	849703	silentblock for TCA	Part of	di:13.1 do:36.2 (*)	15	R10079	mounting tool ring ø46 ø38	SEE PAGE III	di:38 do:46
7	849701	silentblock for TCA	124 352 35 65	di:12.8 do:36.1 (*)	16	849309	silentblock for TCA	202 352 01 65	di:12 do:33 (*)
8	849704	silentblock for TCA	201 352 88 65	di:12.2 do:31.5 (*)	17	49462	stabiliser link rear axle	124 320 02 89	L:200
9	49562	set TCA	210 350 21 53 S1		18	49463	stabiliser link	124 320 04 89	L:200

E-CLASS (C124-W124-T124) 4MATIC

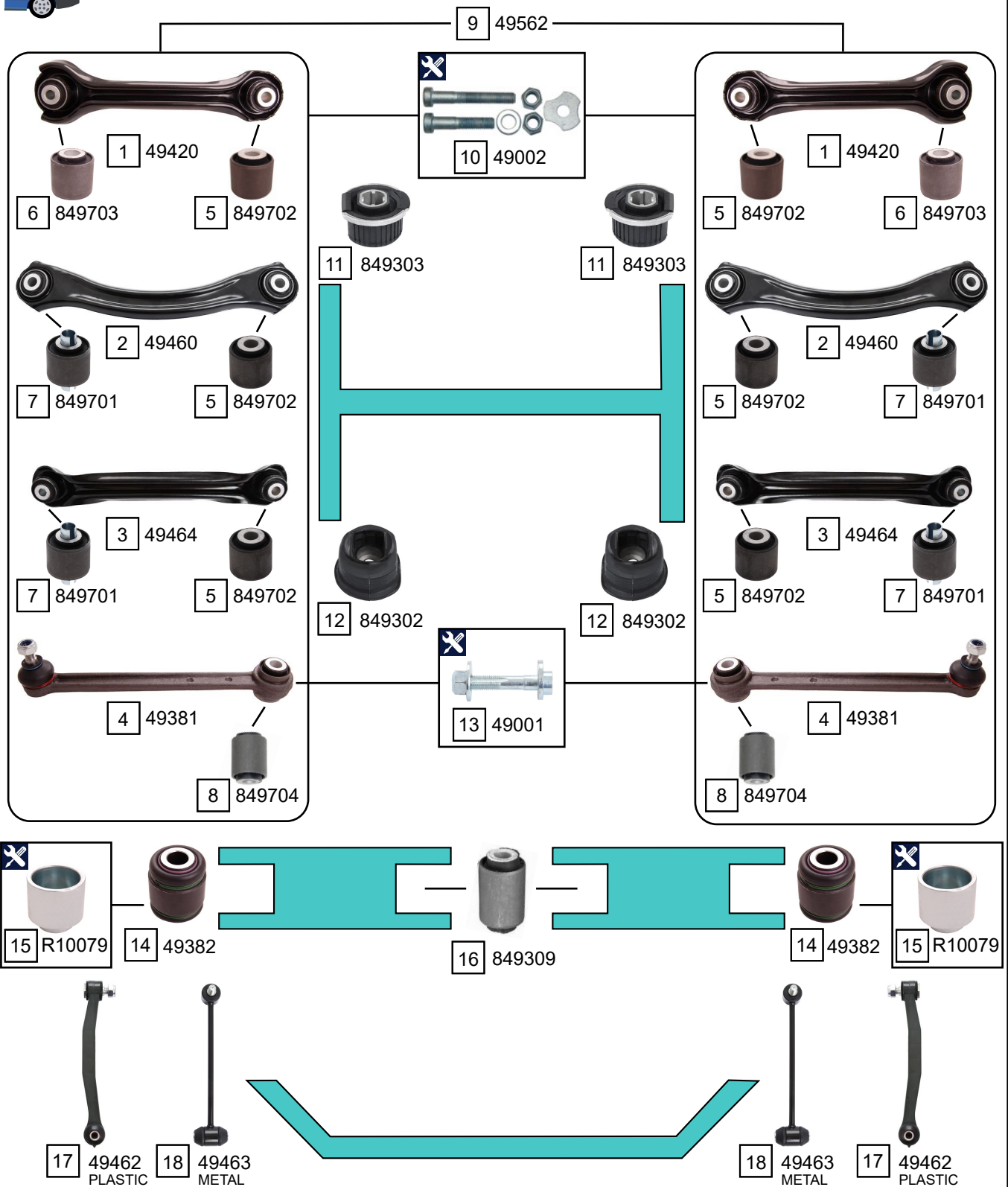
12/1984 - 06/1995



Ref.	Sidem Ref.	Description	OE-number	Measures	Ref.	Sidem Ref.	Description	OE-number	Measures
1	849808	stabiliser mounting	124 323 54 85	di:24	8	49470	TCA left wbj	124 330 30 07	c:18
2	849809	stabiliser mounting	124 323 56 85	di:26.5	9	49471	TCA right wbj	124 330 31 07	c:18
3	849805	stabiliser mounting	124 323 46 85	di:28	10	49380	ball joint lower	124 333 03 27	c:18 do:46.3
4	49021	steering damper	124 463 04 32		11	R10082	mounting tool ring ø52 ø44	SEE PAGE III	di:44 do:52
5	49530	tie rod left	124 330 14 03	L:383	12	849611	silentblock for TCA	124 333 43 14	di:16.2 do:48.2 (*)
6	49532	tie rod end	001 330 38 35	c:12.7 th:MM14x1.5L	13	849610	silentblock for TCA	124 333 42 14	di:16.2 do:48.2 (*)
7	49533	tie rod end inner right	001 330 39 35	c:12.7 th:MM14x1.5L	14	849618	silentblock kit	124 330 05 75	

E-CLASS (C124-W124-T124) 4MATIC

12/1984 - 06/1995



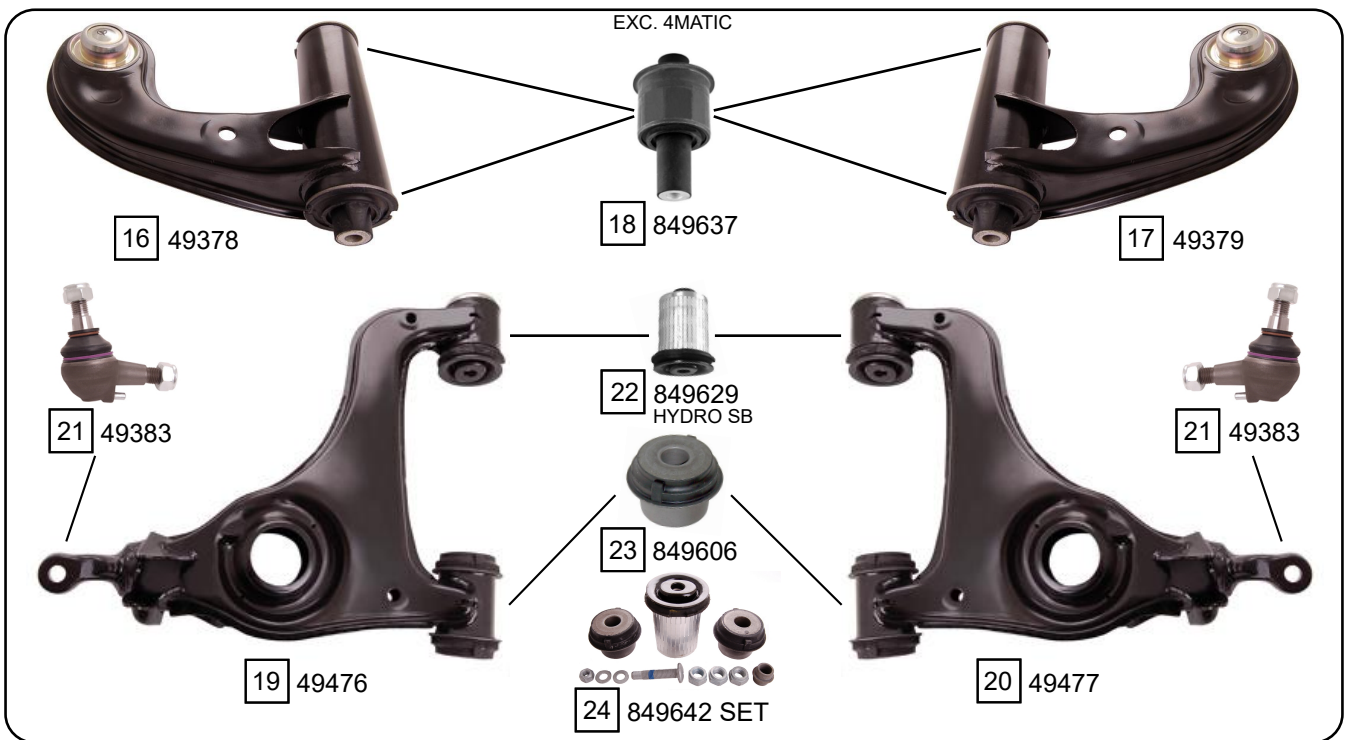
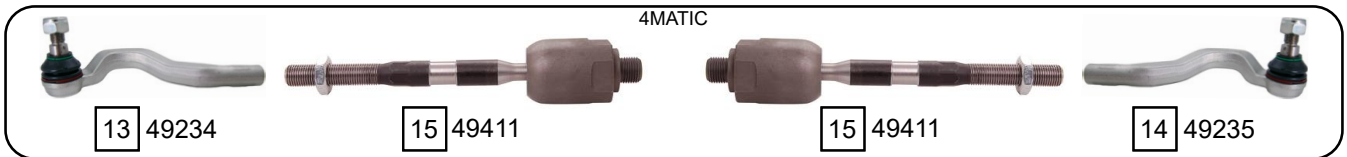
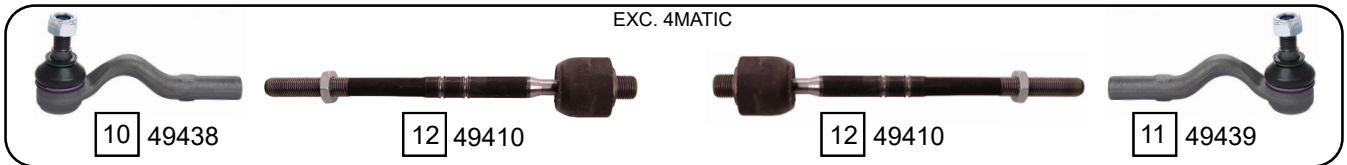
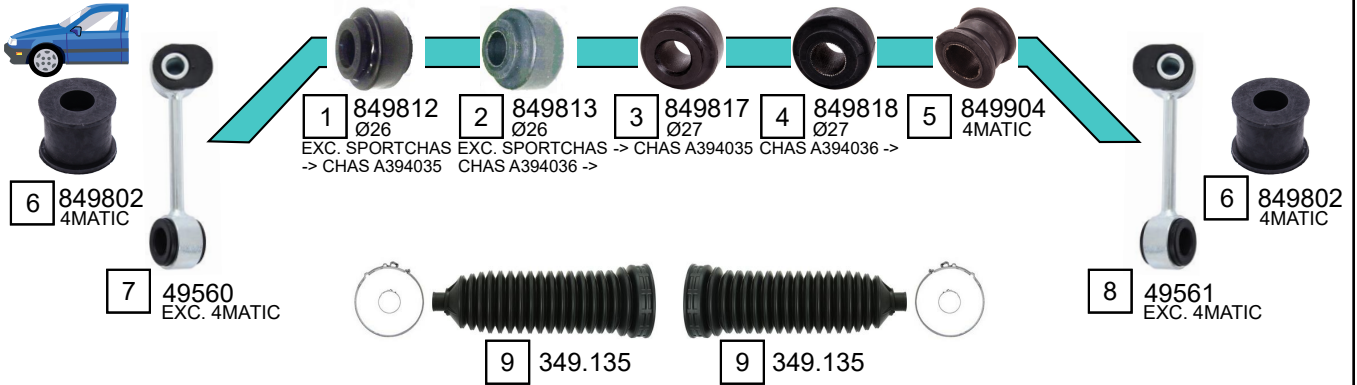
Ref.	Sidem Ref.	Description	OE-number	Measures	Ref.	Sidem Ref.	Description	OE-number	Measures
1	49420	track rod	210 350 33 06	L:247	10	49002	mounting kit	210 350 45 06	
2	49460	track rod	210 350 34 06	L:299	11	849303	mounting axle body	124 350 03 41	do:66
3	49464	track rod	210 350 38 06	L:314	12	849302	mounting axle body	124 351 02 42	di:18.2 do:83
4	49381	stabiliser link rear axle	210 350 21 53	L:245	13	49001	mounting kit	140 350 11 70	th:M12x1.5R
5	849702	silentblock for TCA	Part of	di:12.1 do:36.2 (*)	14	49382	ball joint rear	204 352 00 27	di:14.2 do:40
6	849703	silentblock for TCA	Part of	di:13.1 do:36.2 (*)	15	R10079	mounting tool ring ø46 ø38	SEE PAGE III	di:38 do:46
7	849701	silentblock for TCA	124 352 35 65	di:12.8 do:36.1 (*)	16	849309	silentblock for TCA	202 352 01 65	di:12 do:33 (*)
8	849704	silentblock for TCA	201 352 88 65	di:12.2 do:31.5 (*)	17	49462	stabiliser link rear axle	124 320 02 89	L:200
9	49562	set TCA	210 350 21 53 S1		18	49463	stabiliser link	124 320 04 89	L:200

MERCEDES

E-CLASS

E-CLASS (W210)
E-CLASS (S210)

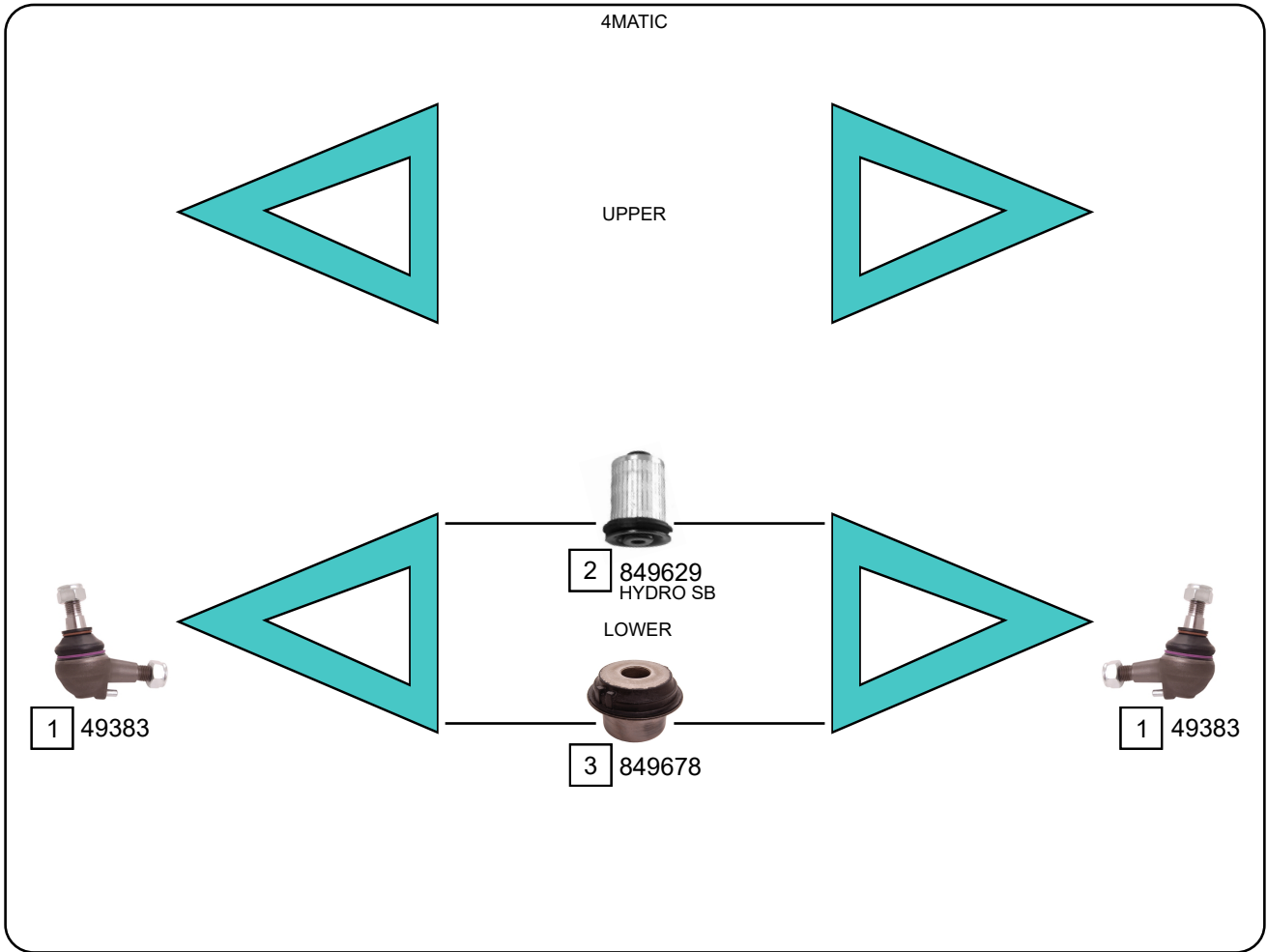
06/1995 - 08/2003
06/1996 - 03/2003



Ref.	Sidem Ref.	Description	OE-number	Measures	Ref.	Sidem Ref.	Description	OE-number	Measures
1	849812	stabiliser mounting	140 323 09 85	di:26	13	49234	tie rod end left	210 338 09 15	c:16.6 th:FM14x1.5R
2	849813	stabiliser mounting	210 323 14 85	di:26	14	49235	tie rod end right	210 338 10 15	c:16.6 th:FM14x1.5R
3	849817	stabiliser mounting	140 323 19 85	di:27	15	49411	axial joint	210 338 11 15	th:MM16x1.5R L:210
4	849818	stabiliser mounting	210 323 15 85	di:27.2	16	49378	TCA left wbj	210 330 87 07	c:12.6
5	849904	stabiliser mounting	129 323 01 85	di:30.2	17	49379	TCA right wbj	210 330 88 07	c:12.6
6	849802	stabiliser mounting	124 323 49 85	di:18	18	849637	silentblock for TCA	Part of	di:10.2 do:49 (*)
7	49560	stabiliser link left	210 320 36 89	L:115	19	49476	TCA left wobj	210 330 76 07	
8	49561	stabiliser link right	210 320 37 89	L:115	20	49477	TCA right wobj	210 330 77 07	
9	349.135	steering rack gaiter	210 460 23 00	D:63 d:13.5 L:197	21	49383	ball joint	211 330 03 35	c:15.9
10	49438	tie rod end left	210 338 05 15	c:16.7 th:FM14x1.5R	22	849629	silentblock for TCA	210 333 68 14	di:15 do:60 (*)
11	49439	tie rod end right	210 338 06 15	c:16.7 th:FM14x1.5R	23	849606	silentblock for TCA	210 333 55 14	di:20 do:50 (*)
12	49410	axial joint	210 338 04 15	th:MM16X1.5R L:245.5	24	849642 SET	silentblock kit	210 330 04 75	

E-CLASS (W210)
E-CLASS (S210)

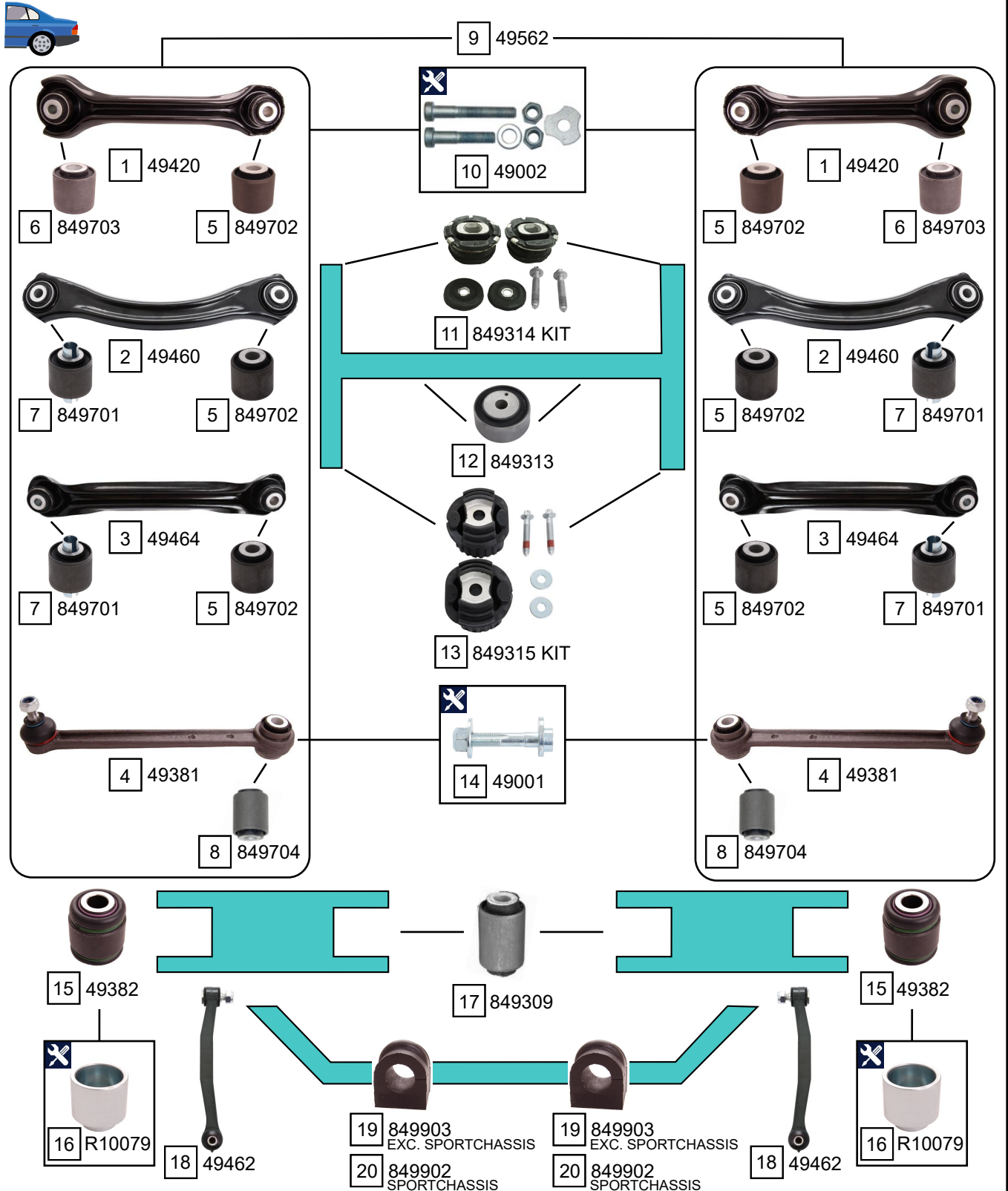
06/1995 - 08/2003
06/1996 - 03/2003



Ref.	Sidem Ref.	Description	OE-number	Measures	Ref.	Sidem Ref.	Description	OE-number	Measures
1	49383	ball joint	211 330 03 35	c:15.9	3	849678	silentblock for TCA	Part of	di:19.8 do:50.2 (*)
2	849629	silentblock for TCA	210 333 68 14	di:15 do:60 (*)					

E-CLASS (W210)
E-CLASS (S210)

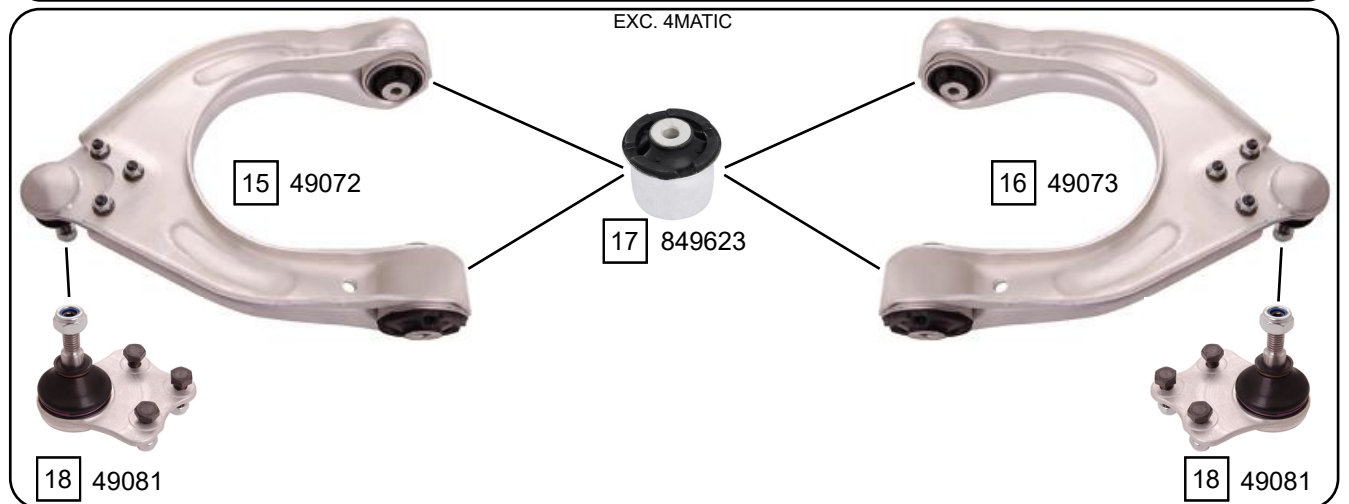
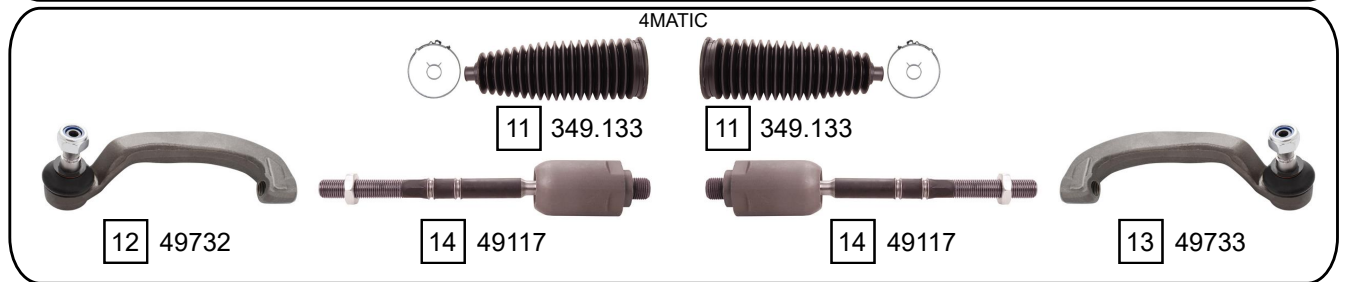
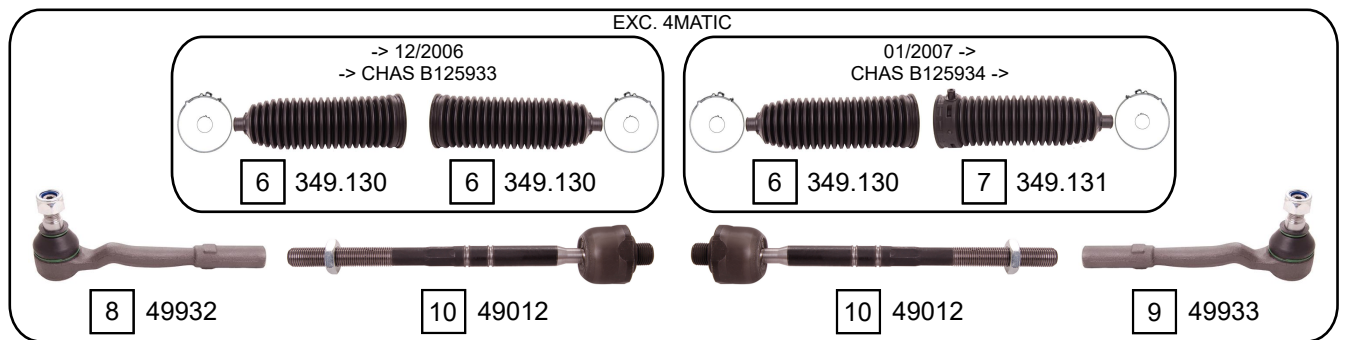
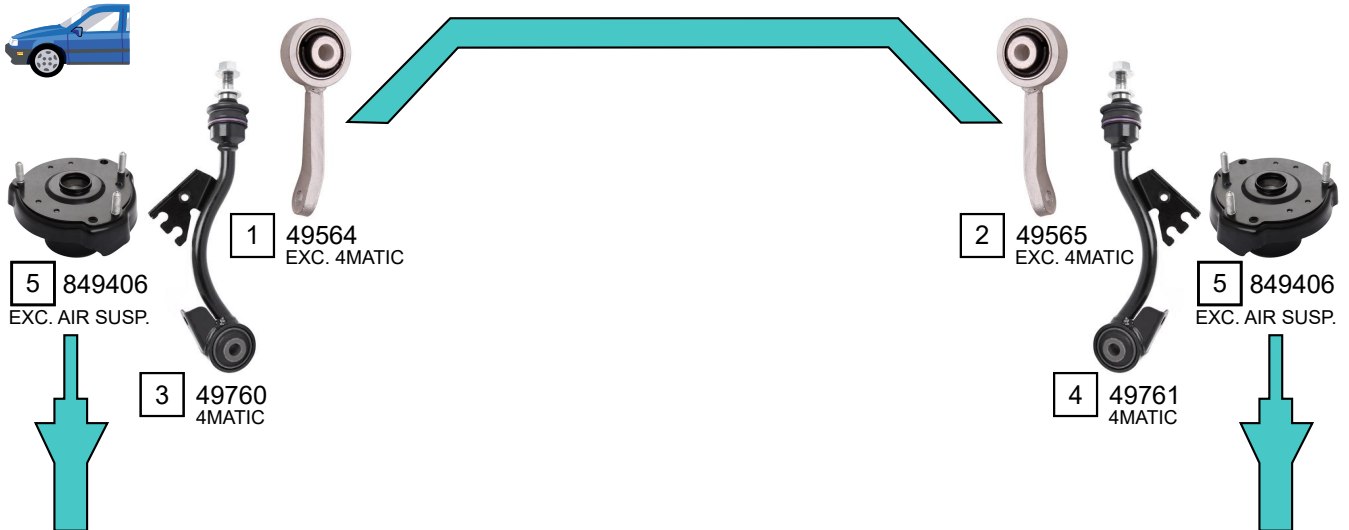
06/1995 - 08/2003
06/1996 - 03/2003



Ref.	Sidem Ref.	Description	OE-number	Measures	Ref.	Sidem Ref.	Description	OE-number	Measures
1	49420	track rod	210 350 33 06	L:247	11	849314 KIT	mounting axle body set	210 350 58 08	do:73.3
2	49460	track rod	210 350 34 06	L:299	12	849313	mounting axle body	129 351 21 42	di:14.4 do:66.2
3	49464	track rod	210 350 38 06	L:314	13	849315 KIT	mounting axle body set	210 350 59 08	di:18.2 do:91.5
4	49381	stabiliser link rear axle	210 350 21 53	L:245	14	49001	mounting kit	140 350 11 70	th:M12x1.5R
5	849702	silentblock for TCA	Part of	di:12.1 do:36.2 (*)	15	49382	ball joint rear	204 352 00 27	di:14.2 do:40
6	849703	silentblock for TCA	Part of	di:13.1 do:36.2 (*)	16	R10079	mounting tool ring ø46 ø38	SEE PAGE III	di:38 do:46
7	849701	silentblock for TCA	124 352 35 65	di:12.8 do:36.1 (*)	17	849309	silentblock for TCA	202 352 01 65	di:12 do:33 (*)
8	849704	silentblock for TCA	201 352 88 65	di:12.2 do:31.5 (*)	18	49462	stabiliser link rear axle	124 320 02 89	L:200
9	49562	set TCA	210 350 21 53 S1		19	849903	stabiliser mounting	201 326 15 81	di:17
10	49002	mounting kit	210 350 45 06		20	849902	stabiliser mounting	210 326 08 81	di:18

E-CLASS (S211-W211)

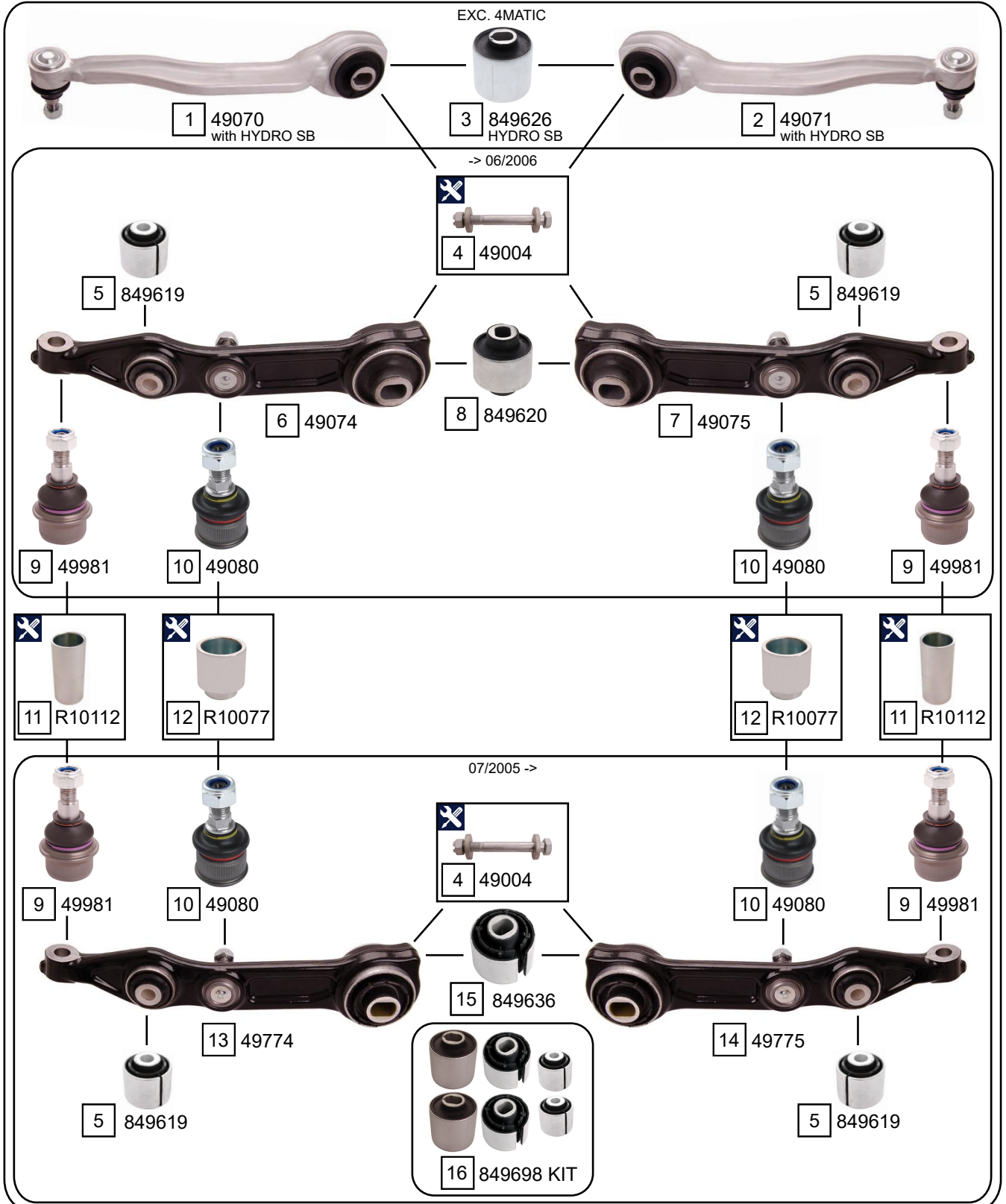
03/2002 - 03/2009



Ref.	Sidem Ref.	Description	OE-number	Measures	Ref.	Sidem Ref.	Description	OE-number	Measures
1	49564	stabiliser link left	211 320 39 89	L:130	10	49012	axial joint	230 338 00 15	th:MM16X1.5R L:244
2	49565	stabiliser link right	211 320 38 89	L:130	11	349.133	steering rack gaiter	211 463 03 96	D:61 d:14 L:208
3	49760	stabiliser link left	211 320 47 89	L:253	12	49732	tie rod end left	220 338 13 15	c:16.5 th:FM14X1.5R
4	49761	stabiliser link right	211 320 48 89	L:220	13	49733	tie rod end right	220 338 14 15	c:16.5 th:FM14X1.5R
5	849406	strut mount	211 320 00 26	di:10.1 do:64 L:87	14	49117	axial joint	211 330 29 03	th:MM16X1.5R L:223
6	349.130	steering rack gaiter	203 463 03 96	D:60 d:14 L:215	15	49072	TCA left wbj	211 330 89 07	c:13
7	349.131	steering rack gaiter	204 463 02 96	D:63 d:14 L:230	16	49073	TCA right wbj	211 330 90 07	c:13
8	49932	tie rod end left	211 330 27 03	c:16.5 th:FM14X1.5R	17	849623	silentblock for TCA	Part of	di:10 do:51.5 (*)
9	49933	tie rod end right	211 330 28 03	c:16.5 th:FM14X1.5R	18	49081	ball joint	Part of	c:13

E-CLASS (S211-W211)

03/2002 - 03/2009



Ref.	Sidem Ref.	Description	OE-number	Measures	Ref.	Sidem Ref.	Description	OE-number	Measures
1	49070	TCA left wbj	211 330 43 11	c:17.2	9	49981	ball joint	220 333 07 27	c:17 do:41.3
2	49071	TCA right wbj	211 330 44 11	c:17.2	10	49080	ball joint	211 323 00 68	do:34.1
3	849626	silentblock for TCA	203 333 10 14	di:17.4 do:70.2 (*)	11	R10112	mounting tool ring long ø54	SEE PAGE III	di:46 do:54
4	49004	mounting kit	000 330 00 18	th:M14X.15 L:120	12	R10077	mounting tool ring ø42 ø34	SEE PAGE III	di:34 do:42
5	849619	silentblock for TCA	211 333 19 14	di:14.2 do:52.8 (*)	13	49774	TCA left wobj	211 330 91 07	c:16.4
6	49074	TCA left wobj	211 330 81 07	c:16.4	14	49775	TCA right wobj	211 330 92 07	c:16.4
7	49075	TCA right wobj	211 330 82 07	c:16.4	15	849636	silentblock for TCA	230 333 06 14	di:17.5 do:70 (*)
8	849620	silentblock for TCA	211 333 11 14	di:14 do:70.2 (*)	16	849698 KIT	silentblock kit	230 333 06 14 S1	

E-CLASS (S211-W211)

03/2002 - 03/2009



4MATIC



1 49456



2 49457



3 849629
HYDRO SB



4 849619



4 849619

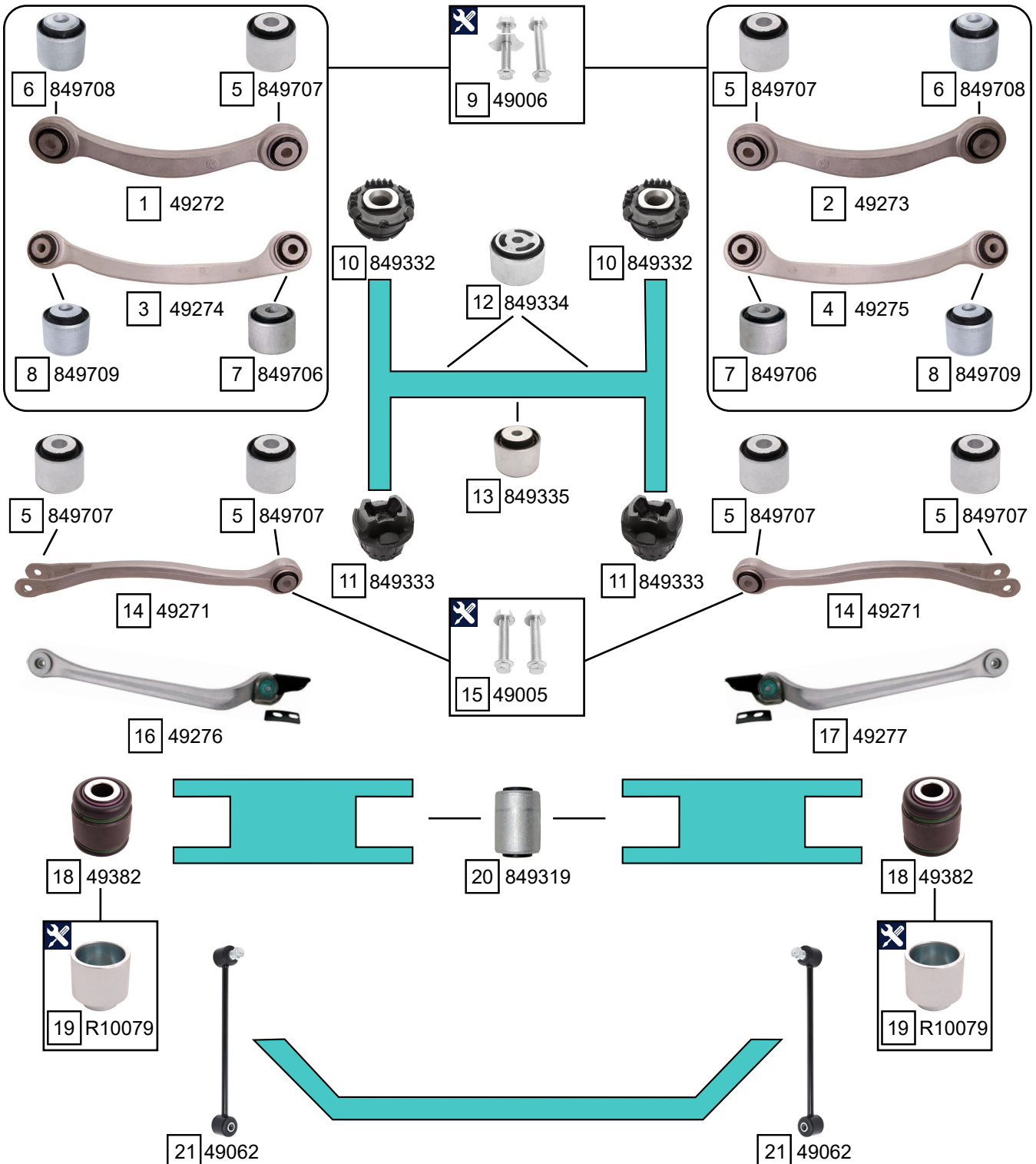
5 49383

5 49383

Ref.	Sidem Ref.	Description	OE-number	Measures	Ref.	Sidem Ref.	Description	OE-number	Measures
1	49456	TCA left wbj	211 330 55 07	c:12.7	4	849619	silentblock for TCA	211 333 19 14	di:14.2 do:52.8 (*)
2	49457	TCA right wbj	211 330 57 07	c:12.7	5	49383	ball joint	211 330 03 35	c:15.9
3	849629	silentblock for TCA	210 333 68 14	di:15 do:60 (*)					

E-CLASS (S211-W211)

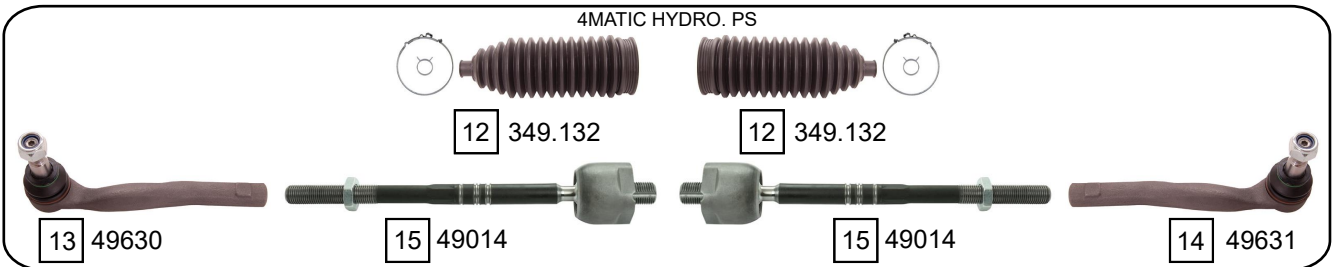
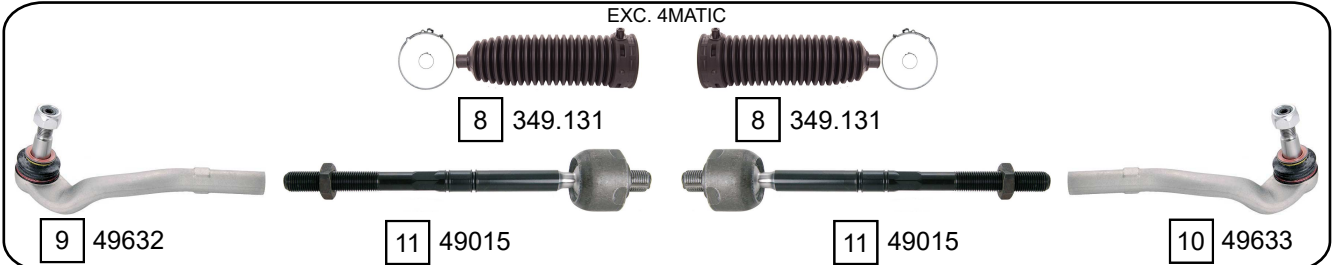
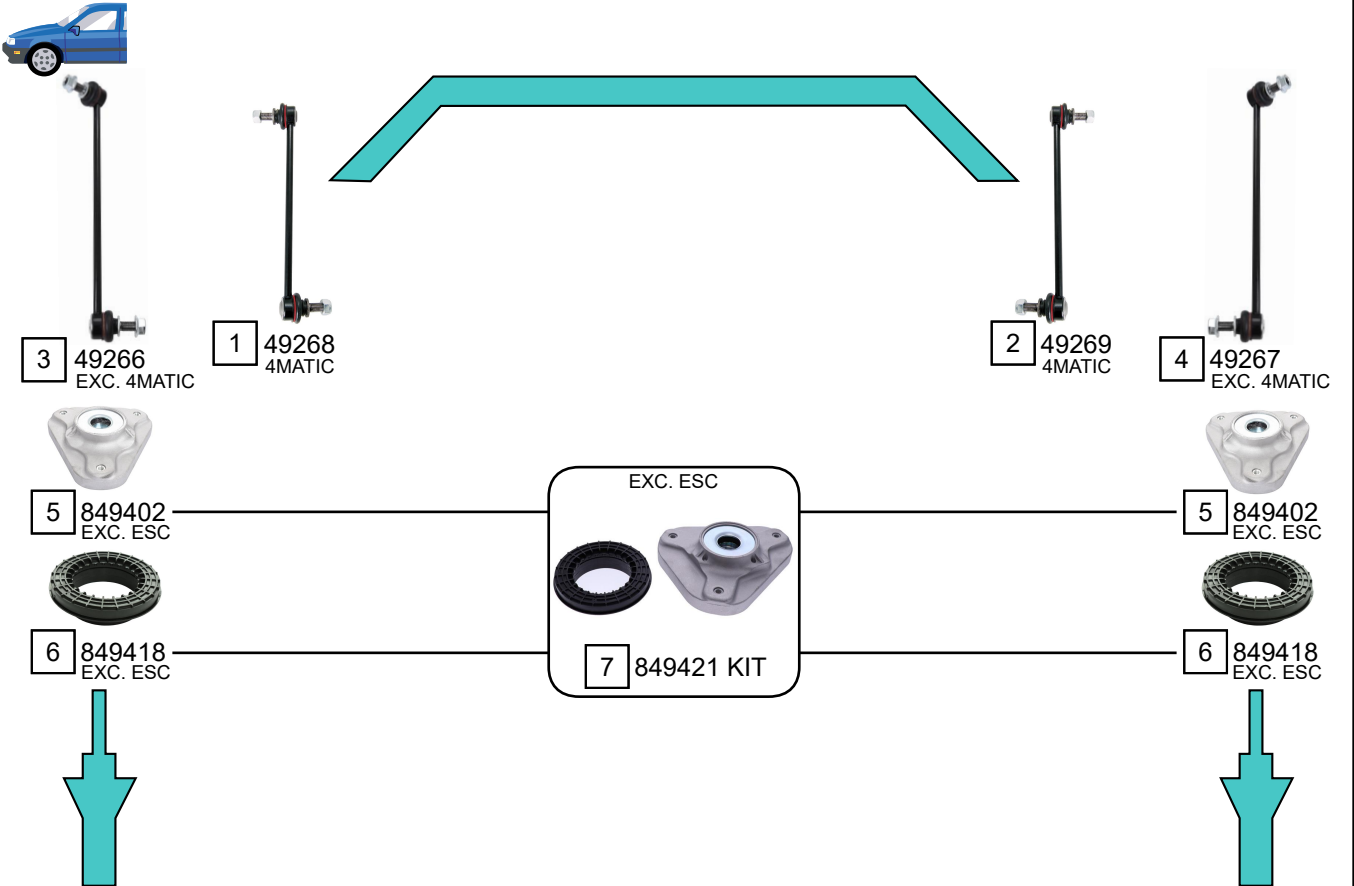
03/2002 - 03/2009



Ref.	Sidem Ref.	description	OE-number	measures	Ref.	Sidem Ref.	description	OE-number	measures
1	49272	TCA	230 350 35 06	L:262	12	849334	mounting axle body	211 351 08 42	di:12.4 do:66.1
2	49273	TCA	230 350 36 06	L:262	13	849335	mounting axle body	211 351 11 42	di:14.2 do:66.1
3	49274	TCA	230 350 27 06	L:324.5	14	49271	TCA	230 350 20 06	L:367.5
4	49275	TCA	230 350 28 06	L:324.5	15	49005	mounting kit	211 990 00 99	
5	849707	silentblock for TCA	230 352 15 65	di:12.1 do:38.5 (*)	16	49276	TCA	230 350 03 29	L:439.5
6	849708	silentblock for TCA	Part of	di:12.2 do:38.5 (*)	17	49277	TCA	230 350 04 29	L:439.5
7	849706	silentblock for TCA	211 352 08 65	di:12.1 do:41.5 (*)	18	49382	ball joint rear	204 352 00 27	di:14.2 do:40
8	849709	silentblock for TCA	Part of	di:12.2 do:41.5 (*)	19	R10079	mounting tool ring ø46 ø38	SEE PAGE III	di:38 do:46
9	49006	mounting kit	211 990 02 99		20	849319	silentblock for TCA	222 352 08 65	di:12.2 do:51.4 (*)
10	849332	mounting axle body	211 351 14 42	di:17.3 do:77	21	49062	stabiliser link rear axle	211 320 33 89	L:260
11	849333	mounting axle body	230 351 02 42	di:14 do:92					

E-CLASS (W212)
E-CLASS (S212)

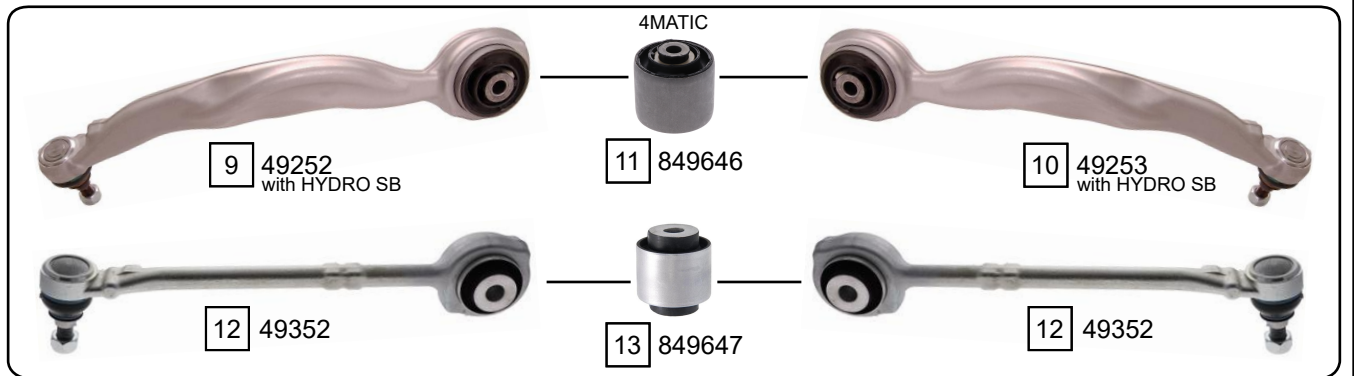
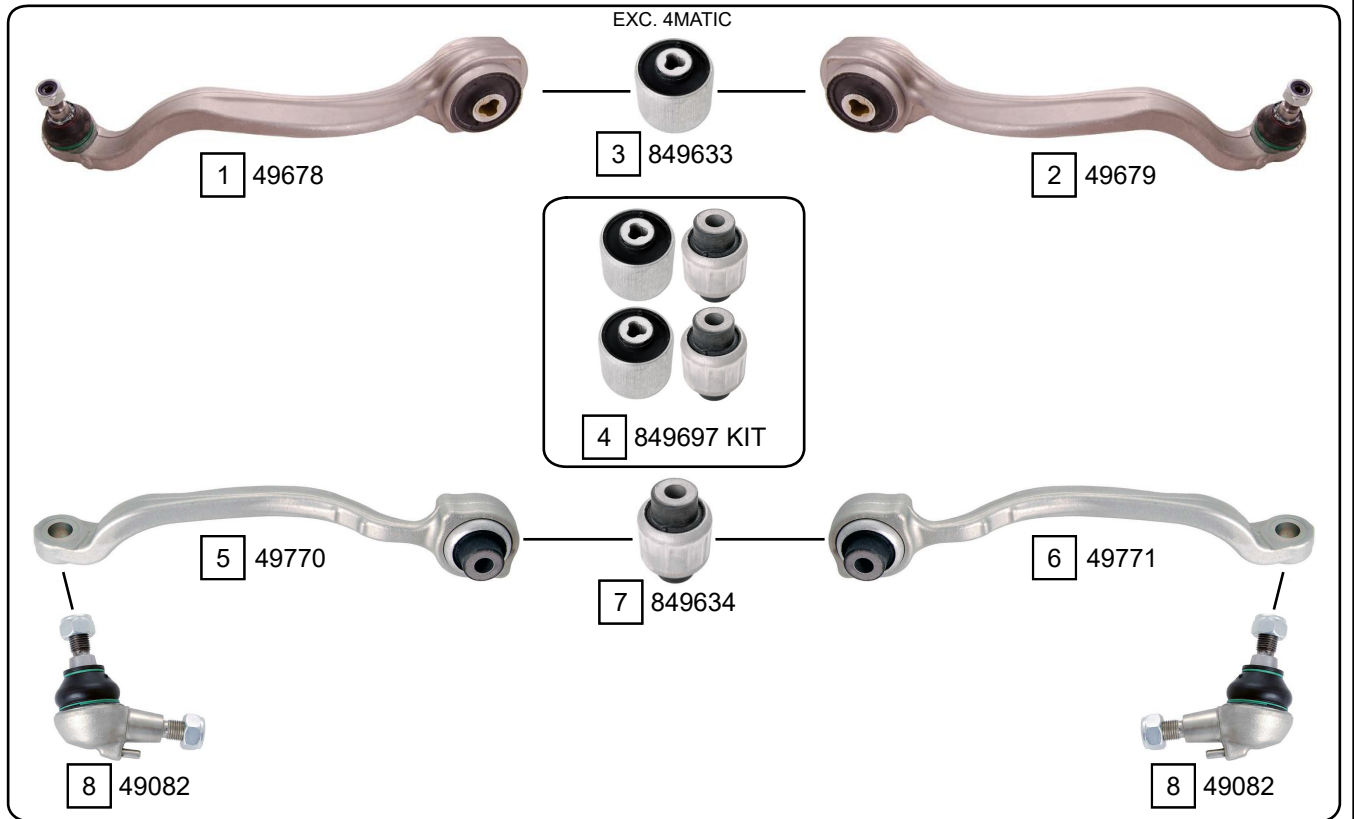
01/2009 - 12/2016
08/2009 - 12/2016



Ref.	Sidem Ref.	Description	OE-number	Measures	Ref.	Sidem Ref.	Description	OE-number	Measures
1	49268	stabiliser link left	212 320 25 89	L:275	10	49633	tie rod end right	212 330 22 03	c:16 th:FM14x1.5R
2	49269	stabiliser link right	212 320 26 89	L:275	11	49015	axial joint	212 330 21 03	th:MM16x1.5R L:237
3	49266	stabiliser link left	212 320 11 89	L:324	12	349.132	steering rack gaiter	204 463 03 96	D:56 d:13 L:190
4	49267	stabiliser link right	212 320 12 89	L:324	13	49630	tie rod end left	204 330 19 03	c:16.6 th:FM14x1.5R
5	849402	strut mount	212 323 00 20	di:15	14	49631	tie rod end right	204 330 20 03	c:16.6 th:FM14x1.5R
6	849418	bearing	204 981 00 25	di:82 do:126.5 L:36.4	15	49014	axial joint	204 338 05 15	th:MM16x1.5R L:243
7	849421 KIT	strut mount kit	212 323 00 20 S1	di:15	16	49638	tie rod end left	212 460 01 05	c:16.5 th:FM14X1.5R
8	349.131	steering rack gaiter	204 463 02 96	D:63 d:14 L:230	17	49639	tie rod end right	212 460 02 05	c:16.5 th:FM14X1.5R
9	49632	tie rod end left	212 330 23 03	c:16 th:FM14x1.5R	18	49016	axial joint	212 330 28 03	th:MM16X1.5R L:237

E-CLASS (W212)
E-CLASS (S212)

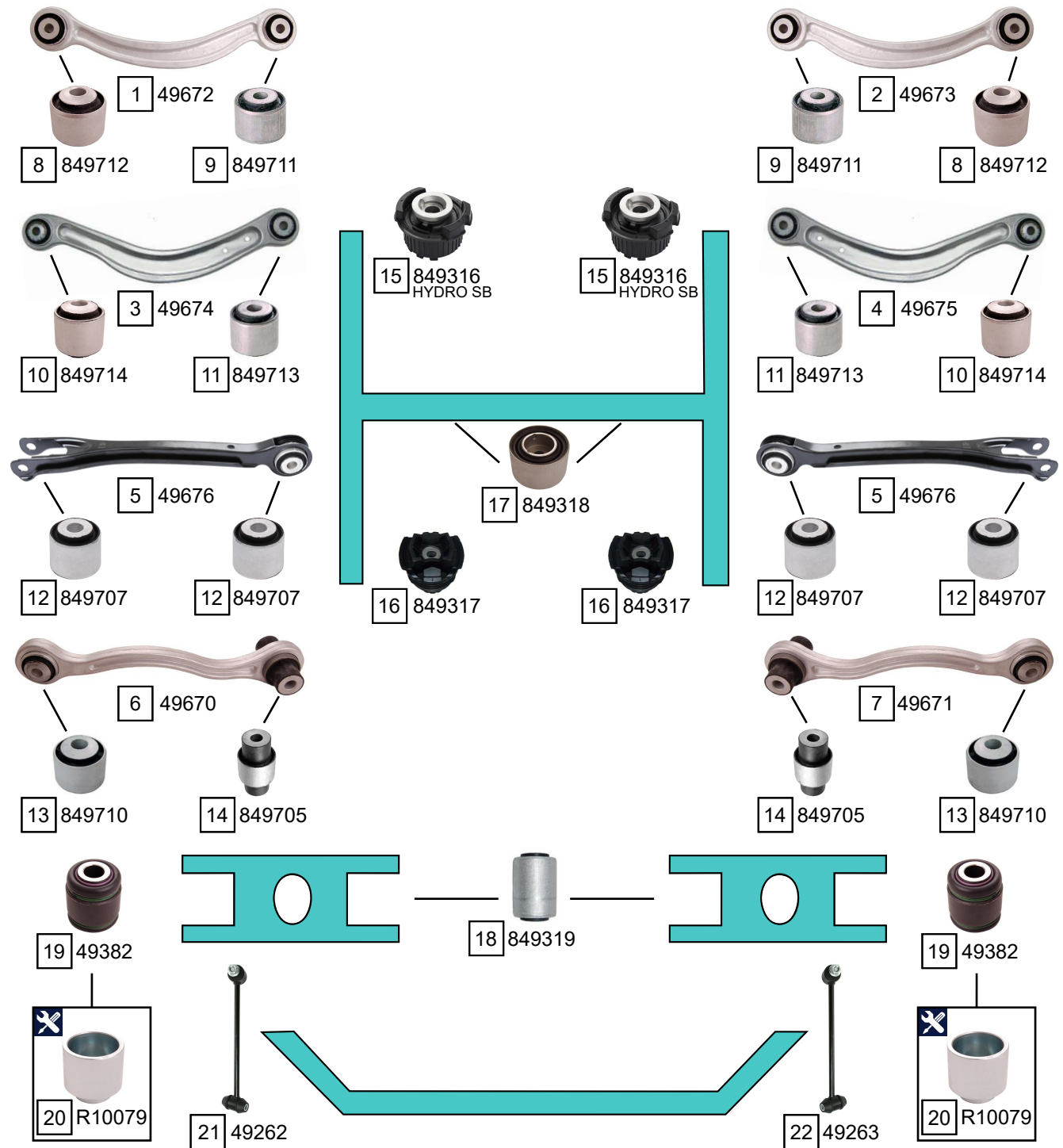
01/2009 - 12/2016
08/2009 - 12/2016



Ref.	Sidem Ref.	Description	OE-number	Measures	Ref.	Sidem Ref.	Description	OE-number	Measures
1	49678	TCA left wbj	212 330 27 11	c:17.5	8	49082	ball joint	212 330 01 35	c:17.8
2	49679	TCA right wbj	212 330 28 11	c:17.5	9	49252	TCA left wbj	212 330 31 11 S1	c:17.3
3	849633	silentblock for TCA	212 333 00 14	do:75.2 (*)	10	49253	TCA right wbj	212 330 32 11 S1	c:17.3
4	849697 KIT	silentblock kit	212 333 00 14 S1		11	849646	silentblock for TCA	212 333 03 14	di:14.2 do:75.5 (*)
5	49770	TCA left wobj	212 330 29 11	c:17	12	49352	TCA wbj	212 330 19 11	c:17.8
6	49771	TCA right wobj	212 330 30 11	c:17	13	849647	silentblock for TCA	Part of	di:14.8 do:55.2 (*)
7	849634	silentblock for TCA	Part of	di:14.2 do:53.2 (*)	14	849501	strut mount	204 320 09 73	di:10.2 do:70.2 L:45

E-CLASS (W212)
E-CLASS (S212)

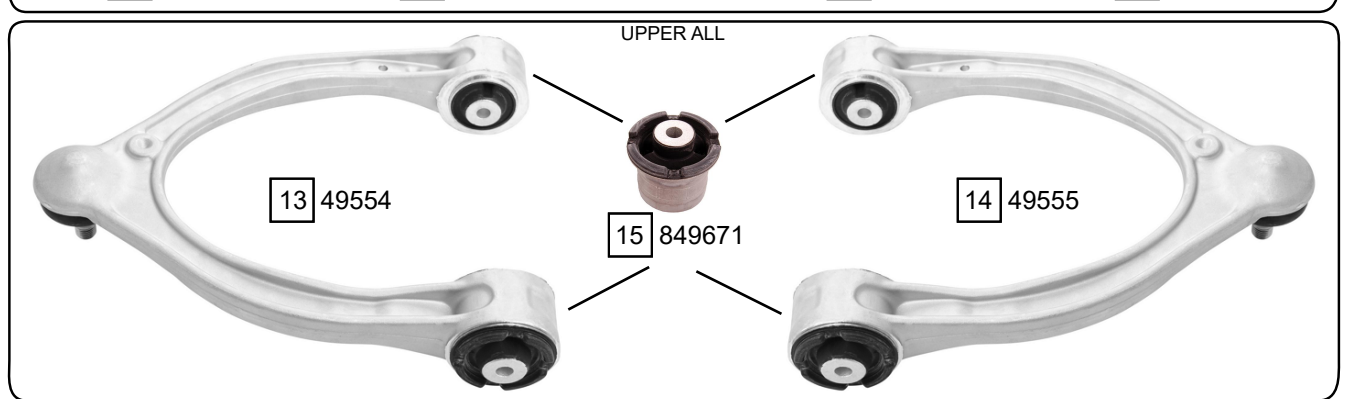
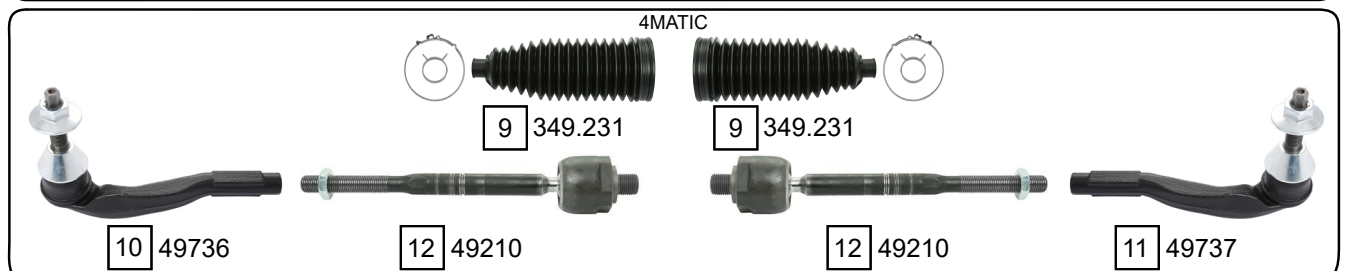
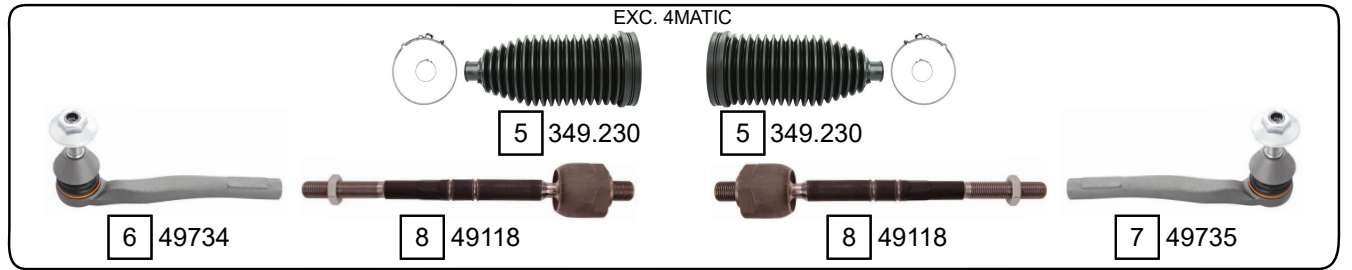
01/2009 - 12/2016
08/2009 - 12/2016



Ref.	Sidem Ref.	description	OE-number	measures	Ref.	Sidem Ref.	description	OE-number	measures
1	49672	TCA left	204 350 21 06	L:312.5	12	849707	silentblock for TCA	230 352 15 65	di:12.1 do:38.5 (*)
2	49673	TCA right	204 350 22 06	L:312.5	13	849710	silentblock for TCA	Part of	di:12.3 do:40.2 (*)
3	49674	TCA left	205 350 61 03	L:342.5	14	849705	silentblock for TCA	Part of	di:12.2 do:40.3 (*)
4	49675	TCA right	205 350 62 03	L:342.5	15	849316	mounting axle body	204 351 08 42	di:17.8 do:77
5	49676	TCA	205 350 63 03	L:331.5	16	849317	mounting axle body	204 350 02 75	di:13.3 do:90
6	49670	TCA left	205 350 65 03	L:265	17	849318	mounting axle body	204 351 04 42	di:15.2 do:74.2
7	49671	TCA right	205 350 66 03	L:265	18	849319	silentblock for TCA	222 352 08 65	di:12.2 do:51.4 (*)
8	849712	silentblock for TCA	Part of	di:12.3 do:43.5 (*)	19	49382	ball joint rear	204 352 00 27	di:14.2 do:40
9	849711	silentblock for TCA	Part of	di:12.3 do:43.5 (*)	20	R10079	mounting tool ring ø46 ø38	SEE PAGE III	di:38 do:46
10	849714	silentblock for TCA	Part of	di:12.2 do:39.5 (*)	21	49262	stabiliser link left	204 320 05 89	L:232
11	849713	silentblock for TCA	Part of	di:12.3 do:39.5 (*)	22	49263	stabiliser link right	204 320 04 89	L:232

E-CLASS (W213)
E-CLASS (S213)
E-CLASS ALL-TERRAIN (S213)

01/2016 ->
07/2016 ->
01/2017 ->



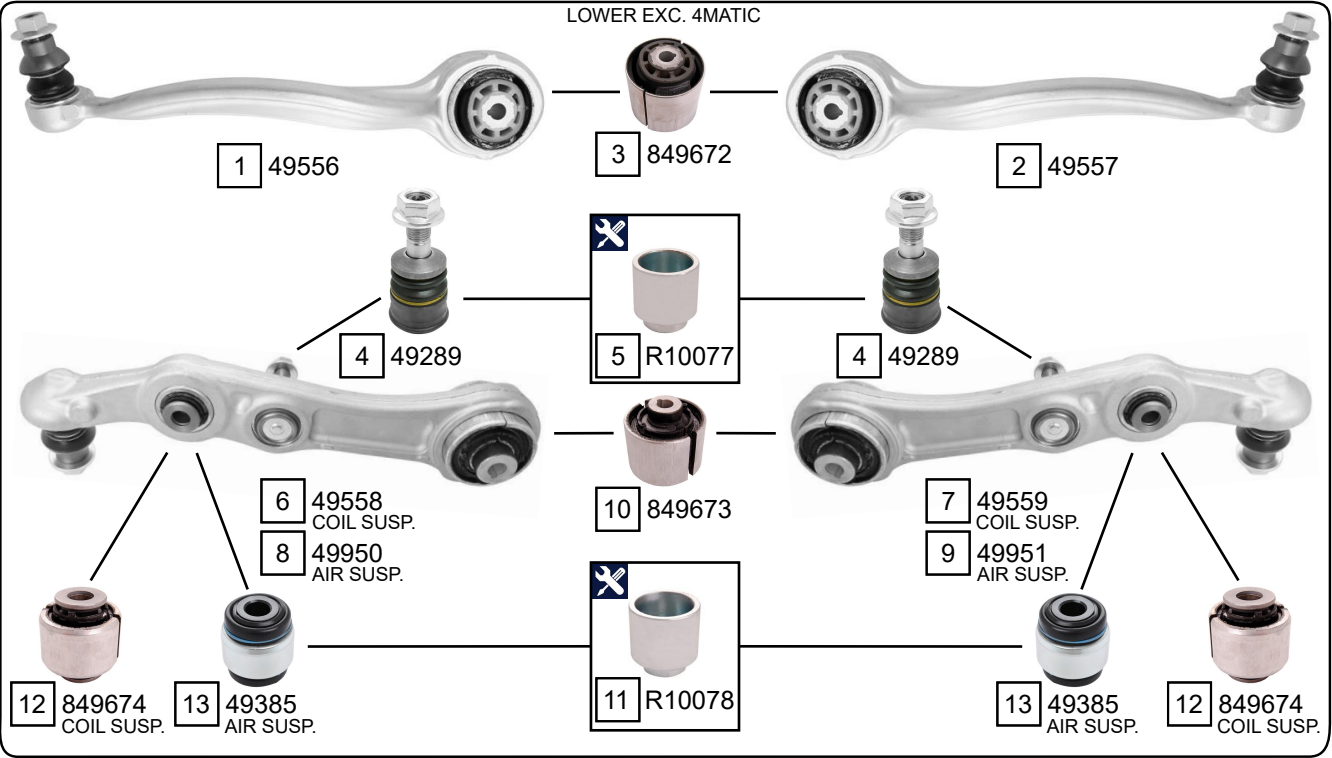
Ref.	Sidem Ref.	Description	OE-number	Measures	Ref.	Sidem Ref.	Description	OE-number	Measures
1	49768	stabiliser link left	205 323 09 17		10	49736	tie rod end left	205 460 00 05	c:21.5 th:FM14X1.5R
2	49769	stabiliser link right	205 323 10 17		11	49737	tie rod end right	205 460 01 05	c:21.5 th:FM14X1.5R
3	49762	stabiliser link left	205 323 07 17		12	49210	axial joint	205 460 04 05	th:MM16X1.5R L:242
4	49763	stabiliser link right	205 323 08 17		13	49554	TCA left wbj	205 330 55 01	c:14.7
5	349.230	steering rack gaiter	205 460 06 96	D:68 d:15.5 L:168	14	49555	TCA right wbj	205 330 56 01	c:14.7
6	49734	tie rod end left	205 460 06 05	c:21.5 th:FM14X1.5R	15	849671	silentblock for TCA	Part of	di:10 do:51.2 (*)
7	49735	tie rod end right	205 460 07 05	c:21.5 th:FM14X1.5R	16	8496005 KIT	silentblock kit	205 333 00 14 S1	
8	49118	axial joint	205 460 08 05	th:MM16X1.5R L:245	17	849696 KIT	silentblock kit	205 333 00 14 S1	
9	349.231	steering rack gaiter	205 463 00 96	D:61.5 d:16 L:197					

E-CLASS (W213)
E-CLASS (S213)
E-CLASS ALL-TERRAIN (S213)

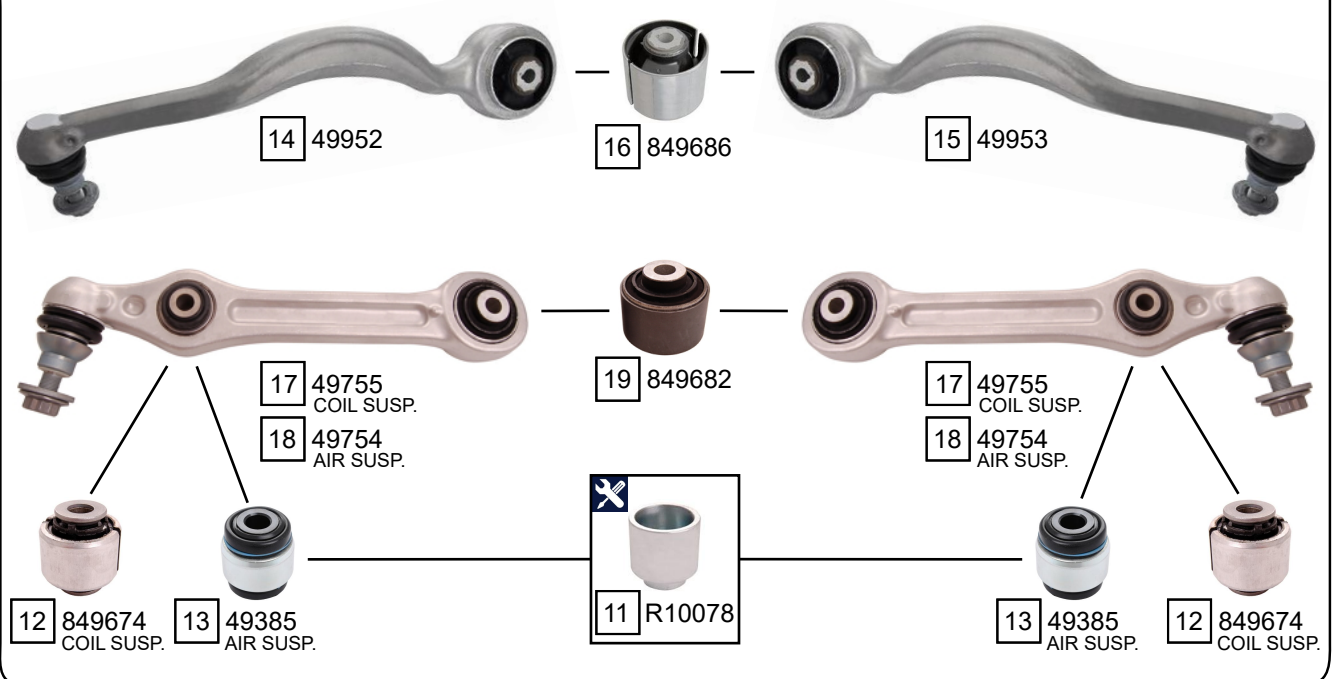
01/2016 ->
07/2016 ->
01/2017 ->



LOWER EXC. 4MATIC



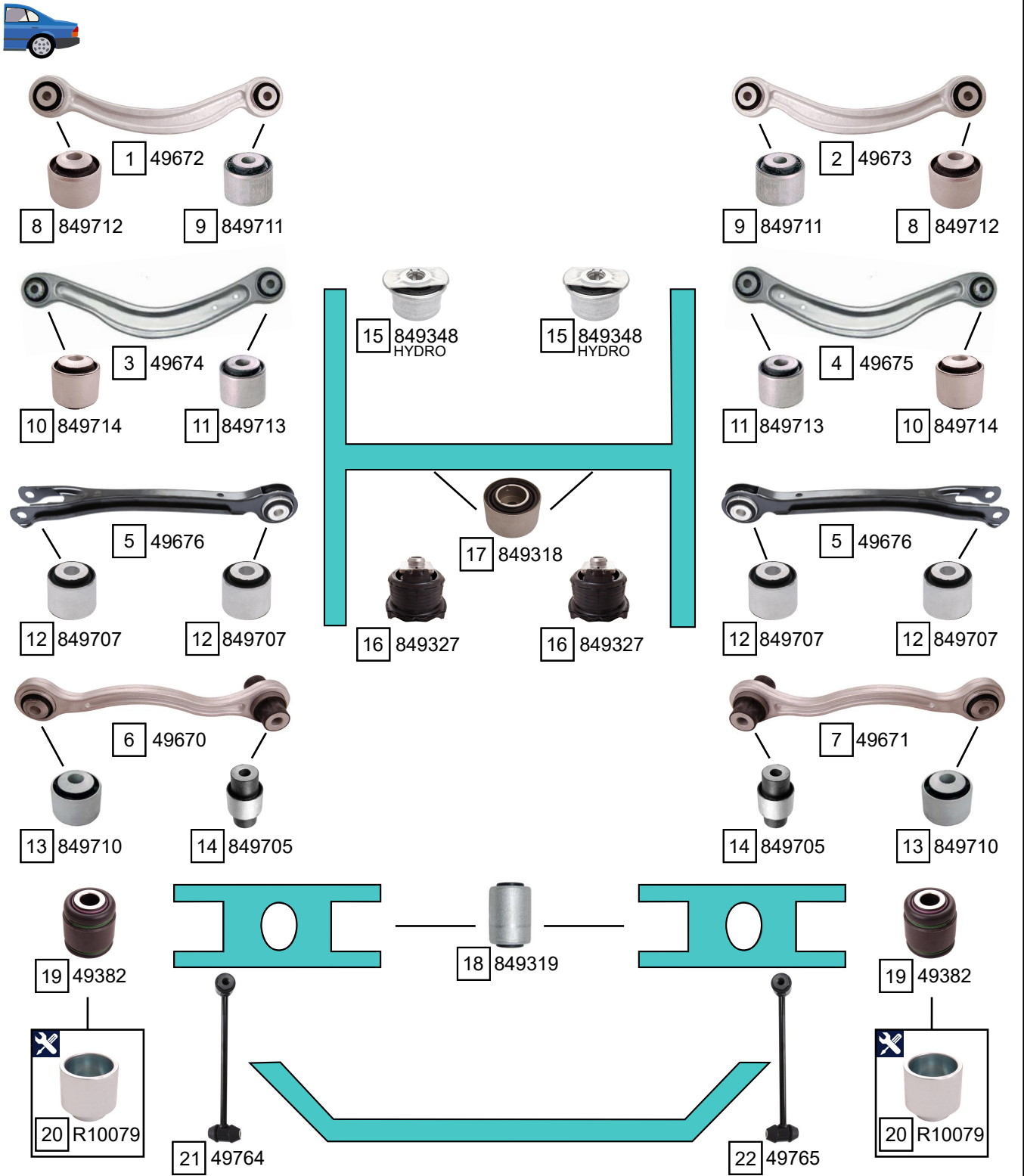
LOWER 4MATIC



Ref.	Sidem Ref.	Description	OE-number	Measures	Ref.	Sidem Ref.	Description	OE-number	Measures
1	49556	TCA left wbj	205 330 15 05	c:16	11	R10078	mounting tool ring ø44 ø36	SEE PAGE III	di:36 do:44
2	49557	TCA right wbj	205 330 16 05	c:16	12	849674	silentblock for TCA	Part of	di:14.1 do:46 (*)
3	849672	silentblock for TCA	Part of	di:14 do:76 (*)	13	49385	ball joint	205 352 37 00	di:14.1 do:44
4	49289	ball joint	Part of	c:14 do:34.2	14	49952	TCA left wbj	213 330 21 00	c:16
5	R10077	mounting tool ring ø42 ø34	SEE PAGE III	di:34 do:42	15	49953	TCA right wbj	213 330 22 00	c:16
6	49558	TCA left wbj	205 330 59 01	c:16	16	849686	silentblock for TCA	Part of	di:14.1 do:75 (*)
7	49559	TCA right wbj	205 330 60 01	c:16	17	49755	TCA wbj	205 330 67 10	c:16 L:340
8	49950	TCA left wbj	205 330 21 07	c:16	18	49754	TCA wbj	205 330 58 01	c:16 L:340
9	49951	TCA right wbj	205 330 22 07	c:16	19	849682	silentblock for TCA	Part of	di:14.1 do:55.5 (*)
10	849673	silentblock for TCA	Part of	di:14.1 do:71 (*)					

E-CLASS (W213)
E-CLASS (S213)
E-CLASS ALL-TERRAIN (S213)

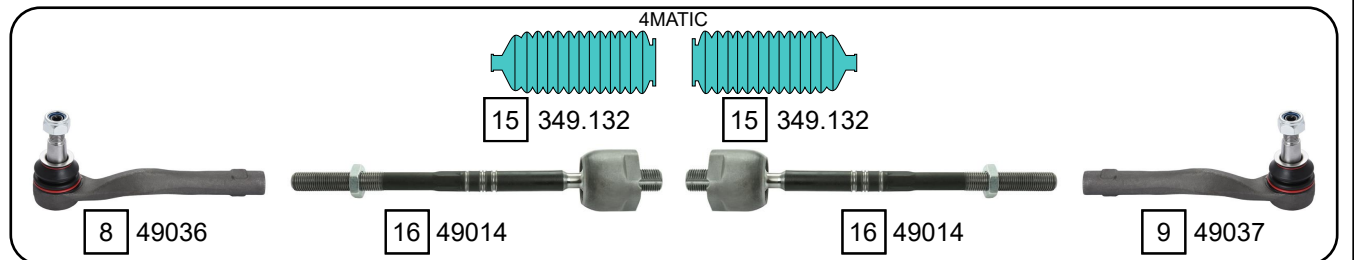
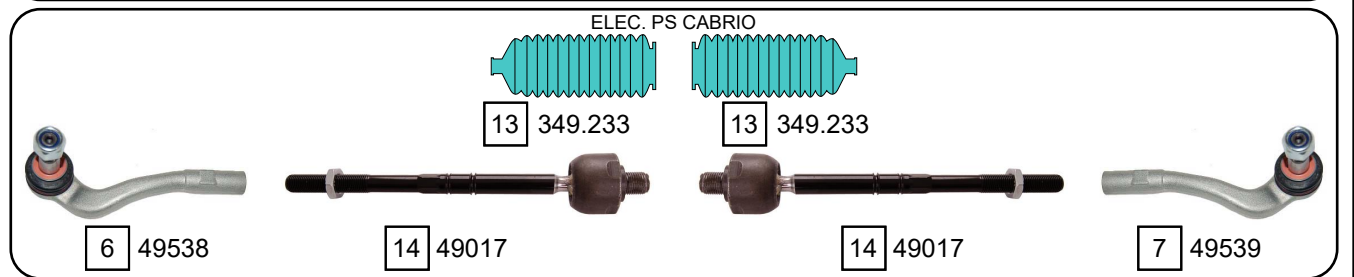
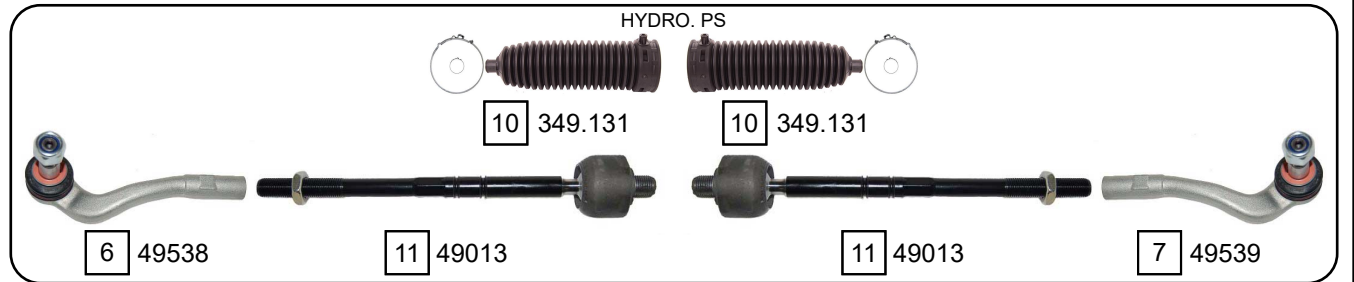
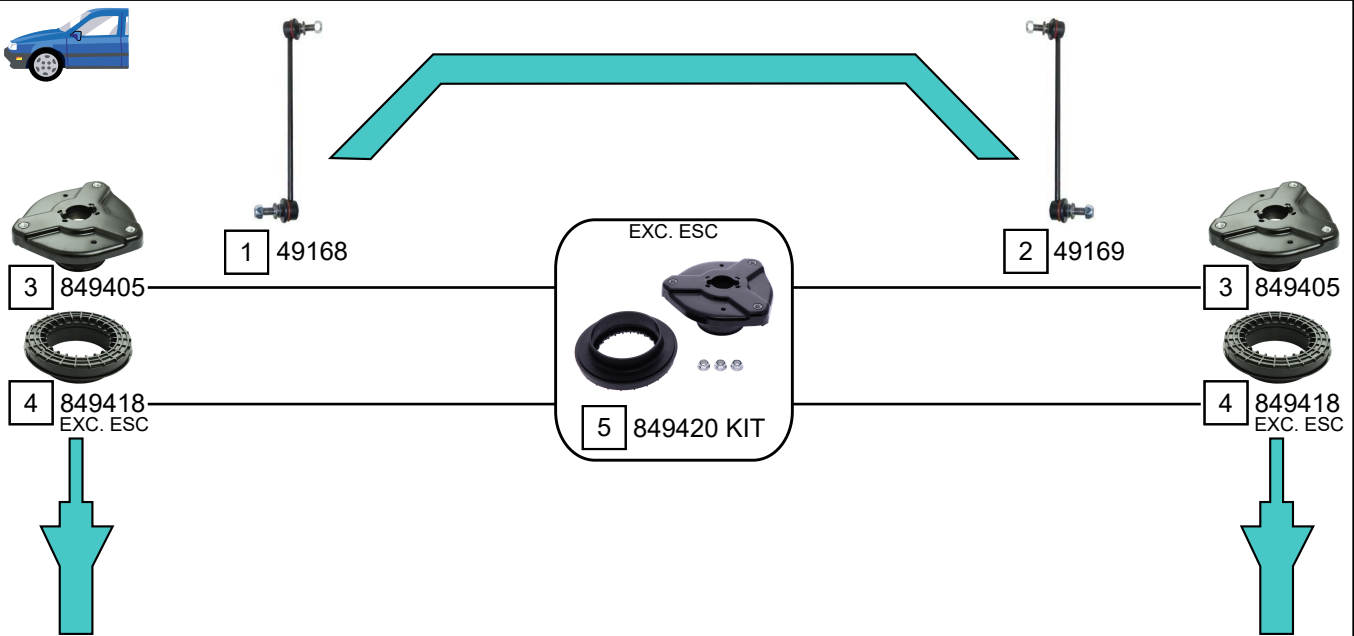
01/2016 ->
07/2016 ->
01/2017 ->



Ref.	Sidem Ref.	description	OE-number	measures	Ref.	Sidem Ref.	description	OE-number	measures
1	49672	TCA left	204 350 21 06	L:312.5	12	849707	silentblock for TCA	230 352 15 65	di:12.1 do:38.5 (*)
2	49673	TCA right	204 350 22 06	L:312.5	13	849710	silentblock for TCA	Part of	di:12.3 do:40.2 (*)
3	49674	TCA left	205 350 61 03	L:342.5	14	849705	silentblock for TCA	Part of	di:12.2 do:40.3 (*)
4	49675	TCA right	205 350 62 03	L:342.5	15	849348	mounting axle body	218 351 02 00	di:18.5 do:85
5	49676	TCA	205 350 63 03	L:331.5	16	849327	mounting axle body	205 351 19 00	di:15.1 do:91.5
6	49670	TCA left	205 350 65 03	L:265	17	849318	mounting axle body	204 351 04 42	di:15.2 do:74.2
7	49671	TCA right	205 350 66 03	L:265	18	849319	silentblock for TCA	222 352 08 65	di:12.2 do:51.4 (*)
8	849712	silentblock for TCA	Part of	di:12.3 do:43.5 (*)	19	49382	ball joint rear	204 352 00 27	di:14.2 do:40
9	849711	silentblock for TCA	Part of	di:12.3 do:43.5 (*)	20	R10079	mounting tool ring ø46 ø38	SEE PAGE III	di:38 do:46
10	849714	silentblock for TCA	Part of	di:12.2 do:39.5 (*)	21	49764	stabiliser link left	205 326 03 17	L:232
11	849713	silentblock for TCA	Part of	di:12.3 do:39.5 (*)	22	49765	stabiliser link right	205 326 04 17	L:232

E-CLASS COUPE (C207)
E-CLASS CABRIO (A207)

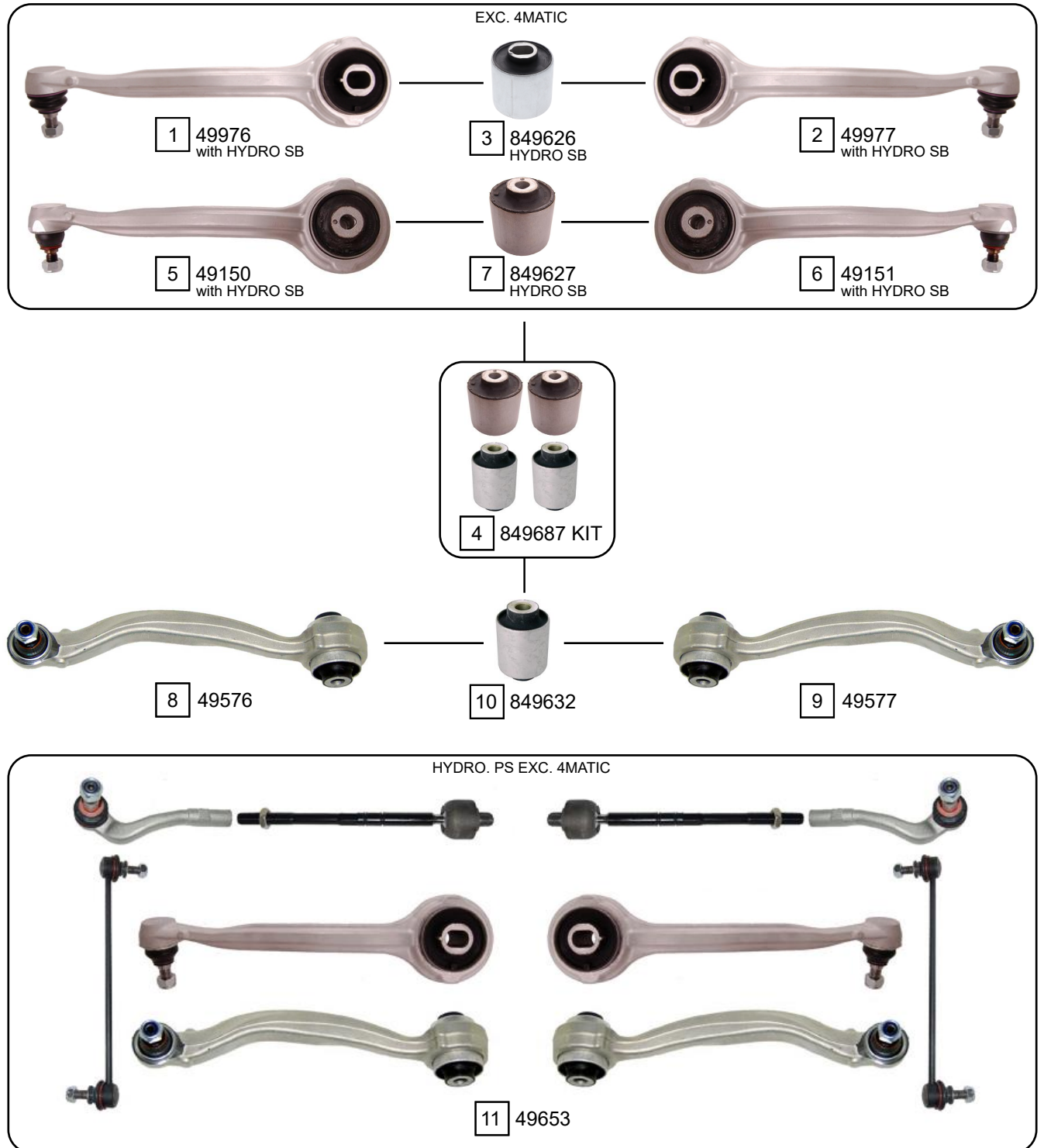
01/2009 - 12/2016
01/2010 - 12/2016



Ref.	Sidem Ref.	Description	OE-number	Measures	Ref.	Sidem Ref.	Description	OE-number	Measures
1	49168	stabiliser link left	204 320 37 89	L:306	9	49037	tie rod end right	204 330 34 03	c:16.6 th:FM14x1.5R
2	49169	stabiliser link right	204 320 38 89	L:306	10	349.131	steering rack gaiter	204 463 02 96	D:63 d:14 L:230
3	849405	strut mount	204 320 12 73	di:15.3 do:64 L:67	11	49013	axial joint	204 338 04 15	th:MM16x1.5R L:261
4	849418	bearing	204 981 00 25	di:82 do:126.5 L:36.4	12	49016	axial joint	212 330 28 03	th:MM16X1.5R L:237
5	849420 KIT	strut mount kit	204 320 12 73 S1	di:15.3	13	349.233	steering rack gaiter	212 463 05 96	D:68 d:14 L:187
6	49538	tie rod end left	204 330 09 03	c:16 th:FM14x1.5R	14	49017	axial joint	207 330 05 00	th:MM16X1.5R L:205
7	49539	tie rod end right	204 330 10 03	c:16 th:FM14x1.5R	15	349.132	steering rack gaiter	204 463 03 96	D:56 d:13 L:190
8	49036	tie rod end left	204 330 33 03	c:16.6 th:FM14x1.5R	16	49014	axial joint	204 338 05 15	th:MM16x1.5R L:243

E-CLASS COUPE (C207)
E-CLASS CABRIO (A207)

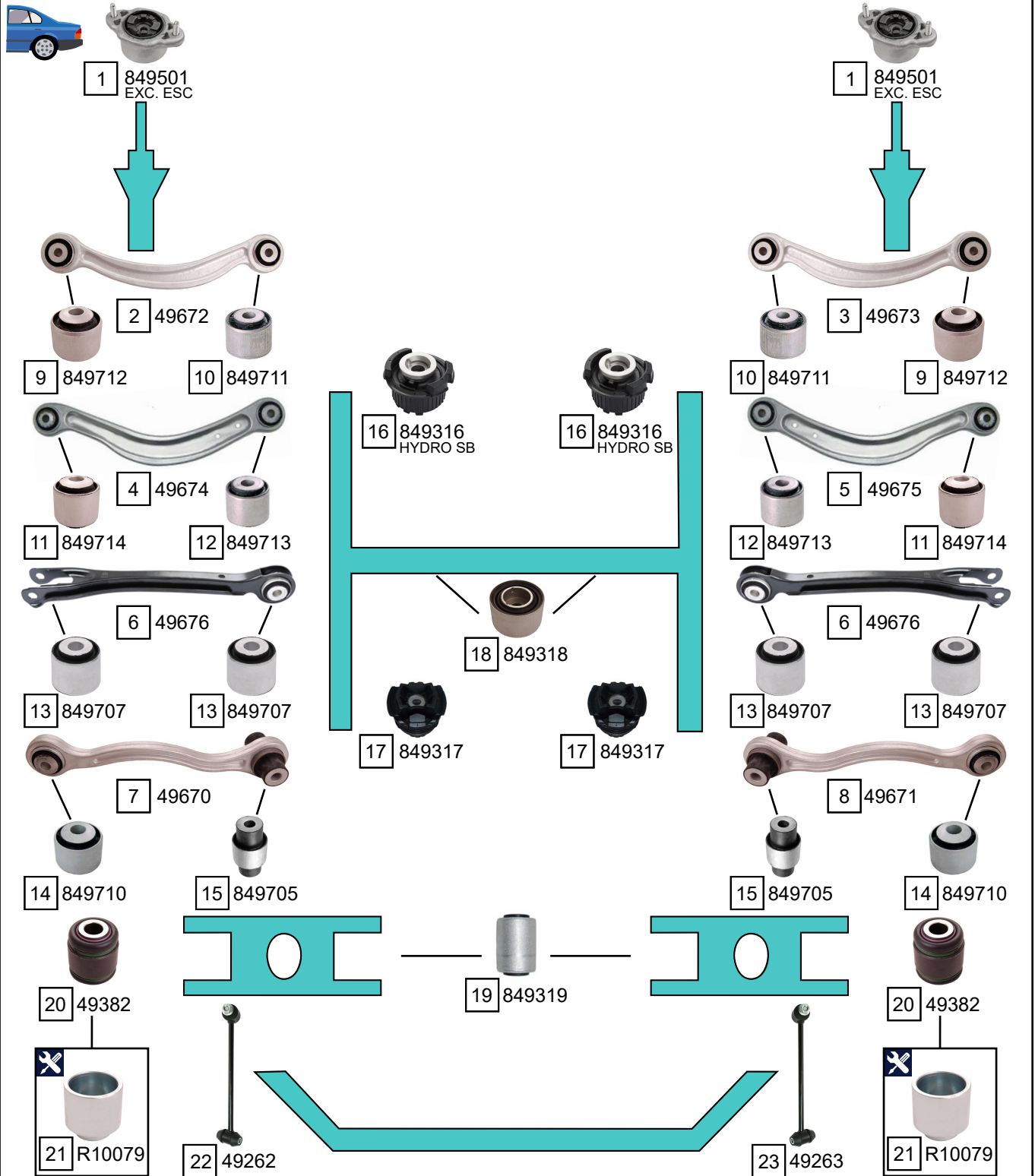
01/2009 - 12/2016
01/2010 - 12/2016



Ref.	Sidem Ref.	Description	OE-number	Measures	Ref.	Sidem Ref.	Description	OE-number	Measures
1	49976	TCA left wbj	204 330 43 11 S1	c:16.3	7	849627	silentblock for TCA	204 333 11 14	di:14.8 do:70.2 (*)
2	49977	TCA right wbj	204 330 44 11 S1	c:16.3	8	49576	TCA left wbj	204 330 67 11	c:16.3
3	849626	silentblock for TCA	203 333 10 14	di:17.4 do:70.2 (*)	9	49577	TCA right wbj	204 330 68 11	c:16.3
4	849687 KIT	silentblock kit	204 333 11 14 S1		10	849632	silentblock for TCA	Part of	di:14.3 do:53.1 (*)
5	49150	TCA left wbj	204 330 87 11	c:16.3	11	49653	set TCA + stab. link + tr	204 330 67 11 S2	
6	49151	TCA right wbj	204 330 88 11	c:16.3					

E-CLASS COUPE (C207)
E-CLASS CABRIO (A207)

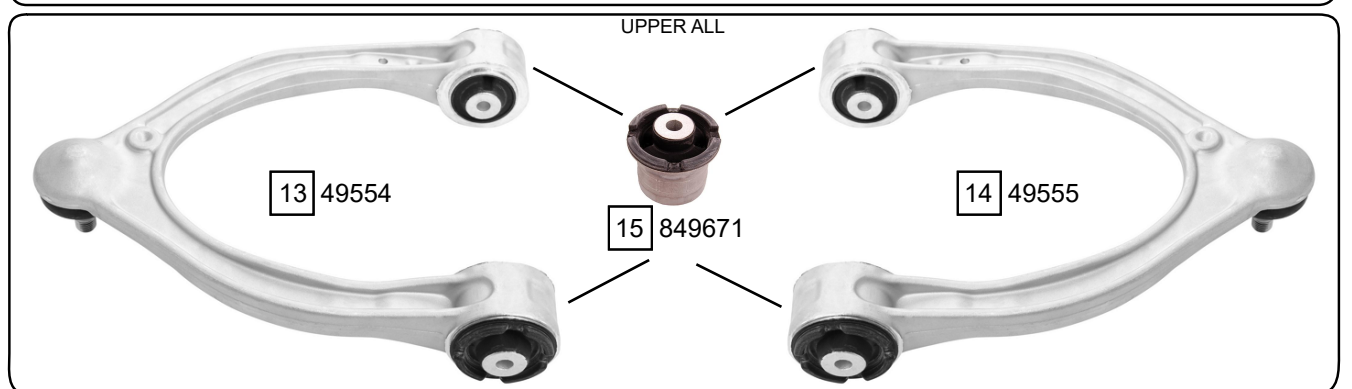
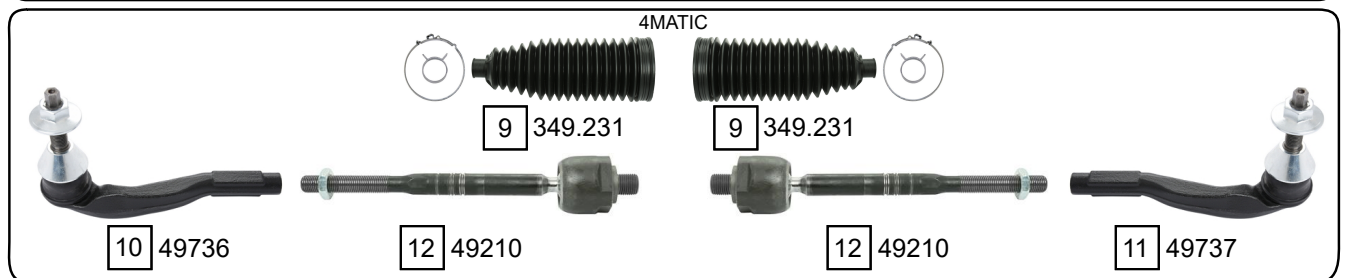
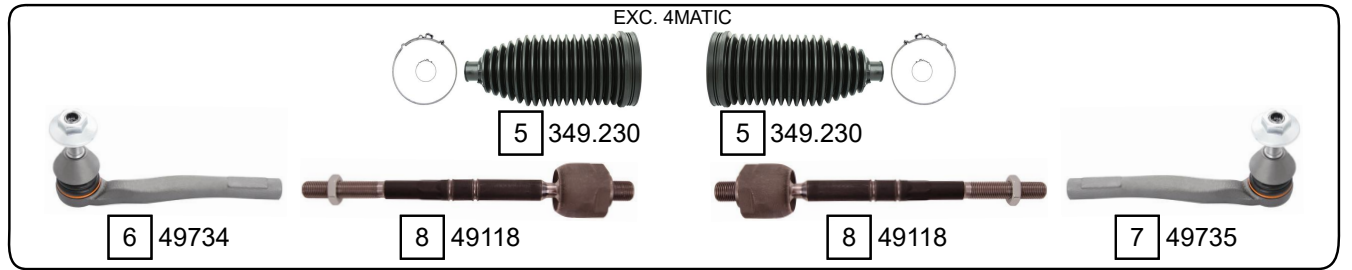
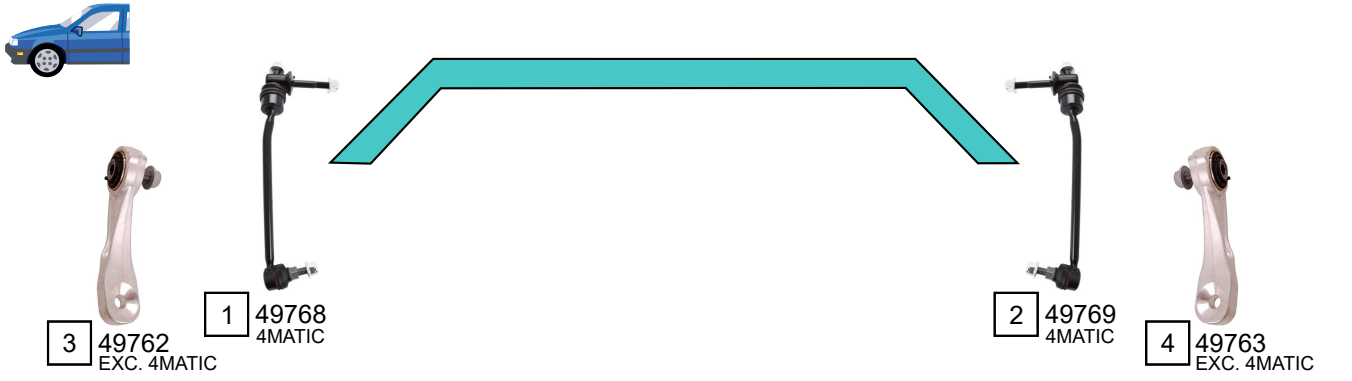
01/2009 - 12/2016
01/2010 - 12/2016



Ref.	Sidem Ref.	Description	OE-number	Measures	Ref.	Sidem Ref.	Description	OE-number	Measures
1	849501	strut mount	204 320 09 73	di:10.2 do:70.2 L:45	13	849707	silentblock for TCA	230 352 15 65	di:12.1 do:38.5 (*)
2	49672	TCA left	204 350 21 06	L:312.5	14	849710	silentblock for TCA	Part of	di:12.3 do:40.2 (*)
3	49673	TCA right	204 350 22 06	L:312.5	15	849705	silentblock for TCA	Part of	di:12.2 do:40.3 (*)
4	49674	TCA left	205 350 61 03	L:342.5	16	849316	mounting axle body	204 351 08 42	di:17.8 do:77
5	49675	TCA right	205 350 62 03	L:342.5	17	849317	mounting axle body	204 350 02 75	di:13.3 do:90
6	49676	TCA	205 350 63 03	L:331.5	18	849318	mounting axle body	204 351 04 42	di:15.2 do:74.2
7	49670	TCA left	205 350 65 03	L:265	19	849319	silentblock for TCA	222 352 08 65	di:12.2 do:51.4 (*)
8	49671	TCA right	205 350 66 03	L:265	20	49382	ball joint rear	204 352 00 27	di:14.2 do:40
9	849712	silentblock for TCA	Part of	di:12.3 do:43.5 (*)	21	R10079	mounting tool ring ø46 ø38	SEE PAGE III	di:38 do:46
10	849711	silentblock for TCA	Part of	di:12.3 do:43.5 (*)	22	49262	stabiliser link left	204 320 05 89	L:232
11	849714	silentblock for TCA	Part of	di:12.2 do:39.5 (*)	23	49263	stabiliser link right	204 320 04 89	L:232
12	849713	silentblock for TCA	Part of	di:12.3 do:39.5 (*)					

E-CLASS COUPE (C238)
E-CLASS CABRIO (A238)

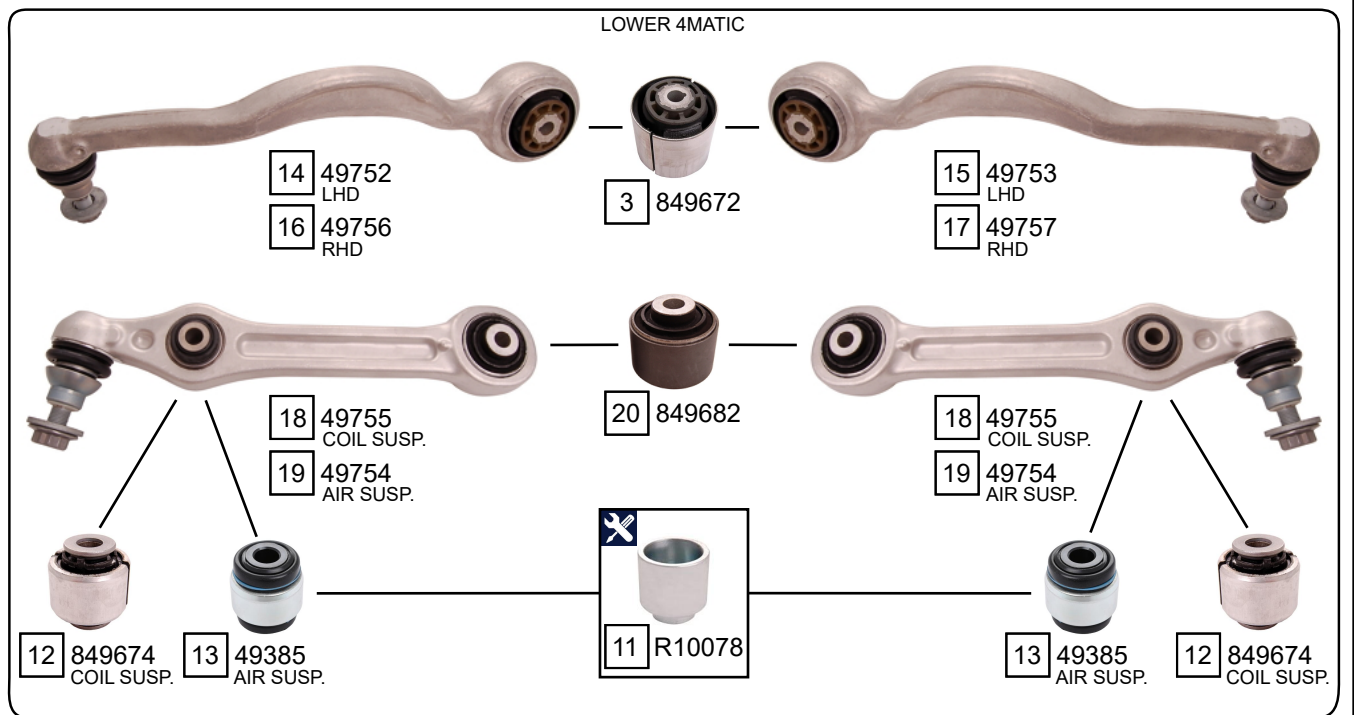
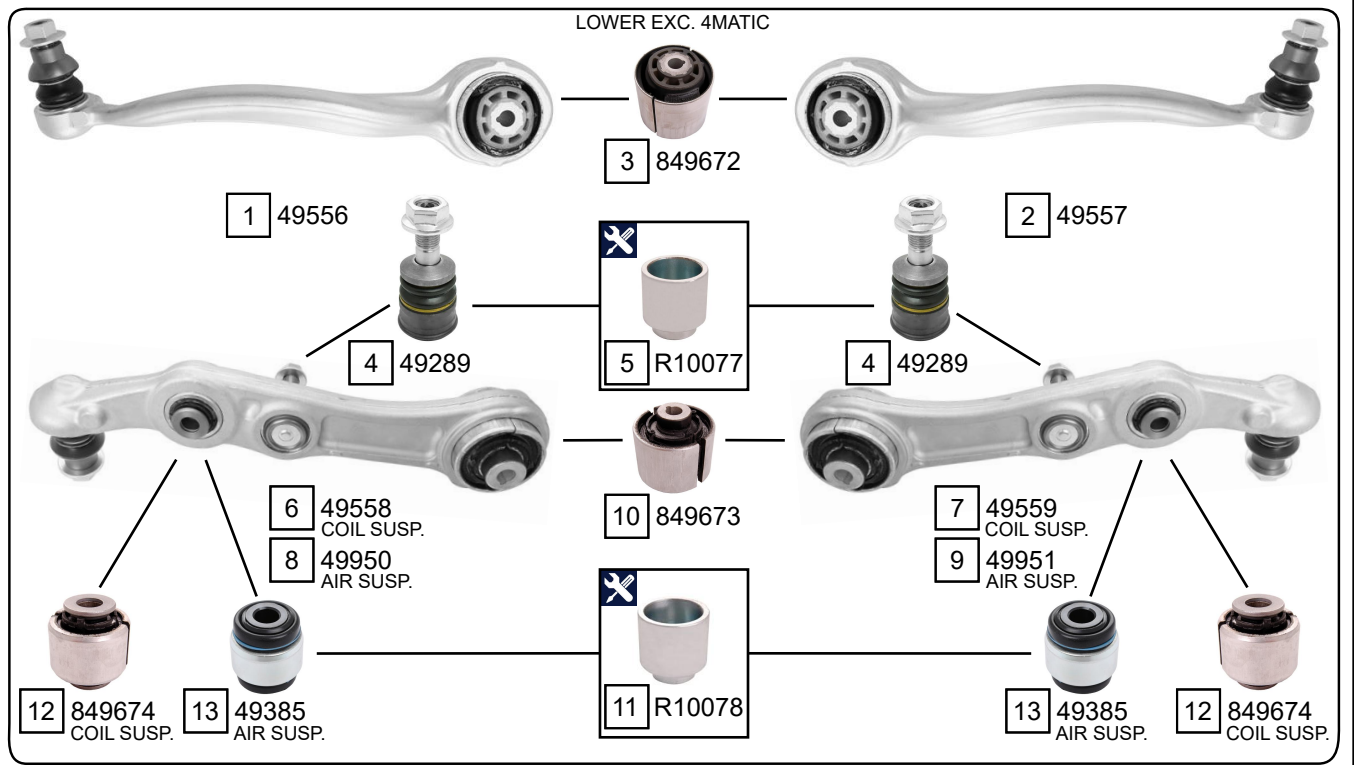
12/2016 ->
06/2017 ->



Ref.	Sidem Ref.	Description	OE-number	Measures	Ref.	Sidem Ref.	Description	OE-number	Measures
1	49768	stabiliser link left	205 323 09 17		10	49736	tie rod end left	205 460 00 05	c:21.5 th:FM14X1.5R
2	49769	stabiliser link right	205 323 10 17		11	49737	tie rod end right	205 460 01 05	c:21.5 th:FM14X1.5R
3	49762	stabiliser link left	205 323 07 17		12	49210	axial joint	205 460 04 05	th:MM16X1.5R L:242
4	49763	stabiliser link right	205 323 08 17		13	49554	TCA left wbj	205 330 55 01	c:14.7
5	349.230	steering rack gaiter	205 460 06 96	D:68 d:15.5 L:168	14	49555	TCA right wbj	205 330 56 01	c:14.7
6	49734	tie rod end left	205 460 06 05	c:21.5 th:FM14X1.5R	15	849671	silentblock for TCA	Part of	di:10 do:51.2 (*)
7	49735	tie rod end right	205 460 07 05	c:21.5 th:FM14X1.5R	16	8496005 KIT	silentblock kit	205 333 00 14 S1	
8	49118	axial joint	205 460 08 05	th:MM16X1.5R L:245	17	849696 KIT	silentblock kit	205 333 00 14 S1	
9	349.231	steering rack gaiter	205 463 00 96	D:61.5 d:16 L:197					

E-CLASS COUPE (C238)
E-CLASS CABRIO (A238)

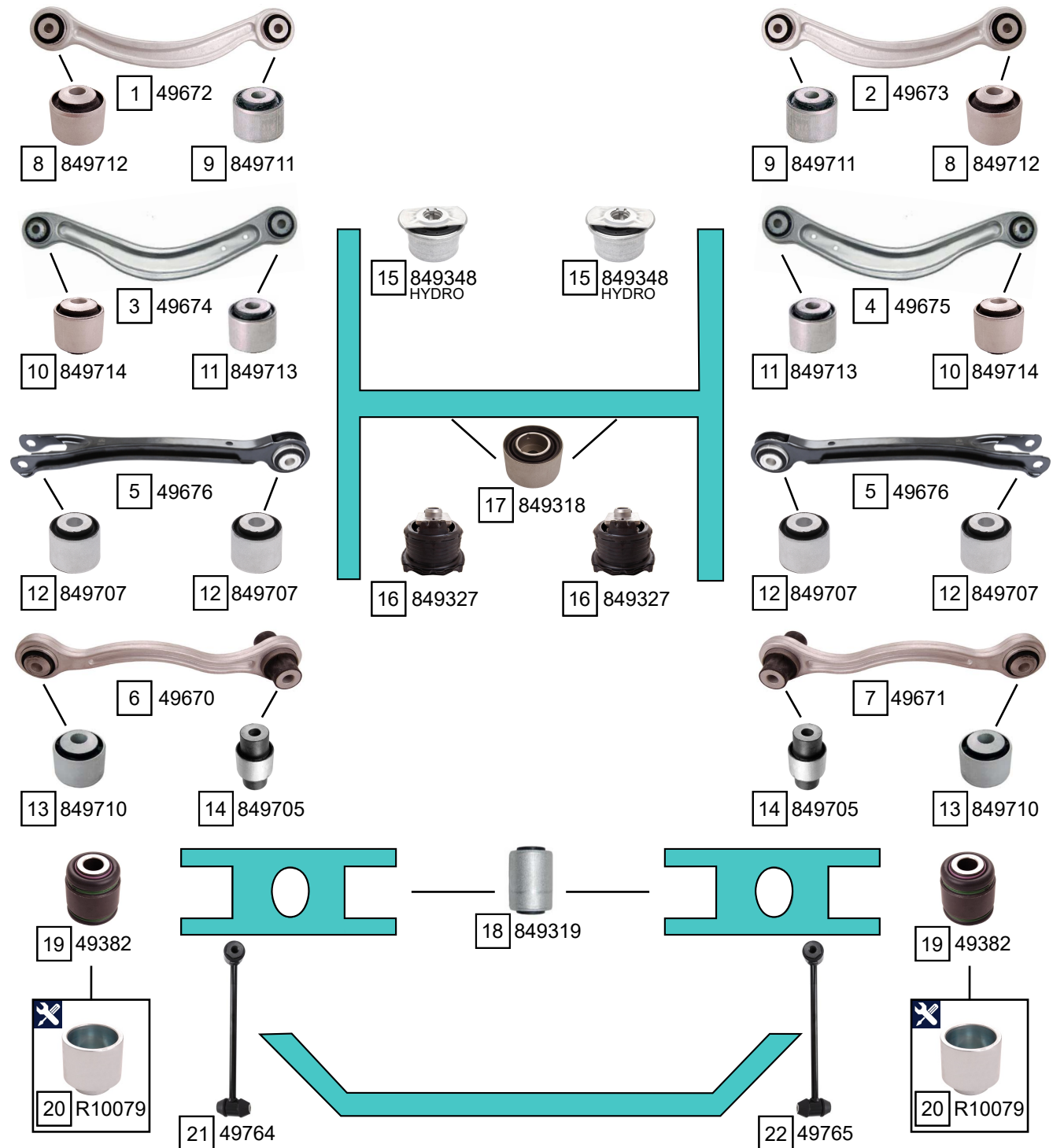
12/2016 ->
06/2017 ->



Ref.	Sidem Ref.	Description	OE-number	Measures	Ref.	Sidem Ref.	Description	OE-number	Measures
1	49556	TCA left wbj	205 330 15 05	c:16	11	R10078	mounting tool ring ø44 ø36	SEE PAGE III	di:36 do:44
2	49557	TCA right wbj	205 330 16 05	c:16	12	849674	silentblock for TCA	Part of	di:14.1 do:46 (*)
3	849672	silentblock for TCA	Part of	di:14 do:76 (*)	13	49385	ball joint	205 352 37 00	di:14.1 do:44
4	49289	ball joint	Part of	c:14 do:34.2	14	49752	TCA left wbj	205 330 19 05	c:16
5	R10077	mounting tool ring ø42 ø34	SEE PAGE III	di:34 do:42	15	49753	TCA right wbj	205 330 20 05	c:16
6	49558	TCA left wbj	205 330 59 01	c:16	16	49756	TCA left wbj	205 330 17 05	c:16 L:450
7	49559	TCA right wbj	205 330 60 01	c:16	17	49757	TCA right wbj	205 330 18 05	c:16 L:450
8	49950	TCA left wbj	205 330 21 07	c:16	18	49755	TCA wbj	205 330 67 10	c:16 L:340
9	49951	TCA right wbj	205 330 22 07	c:16	19	49754	TCA wbj	205 330 58 01	c:16 L:340
10	849673	silentblock for TCA	Part of	di:14.1 do:71 (*)	20	849682	silentblock for TCA	Part of	di:14.1 do:55.5 (*)

E-CLASS COUPE (C238)
E-CLASS CABRIO (A238)

12/2016 ->
06/2017 ->



Ref.	Sidem Ref.	description	OE-number	measures	Ref.	Sidem Ref.	description	OE-number	measures
1	49672	TCA left	204 350 21 06	L:312.5	12	849707	silentblock for TCA	230 352 15 65	di:12.1 do:38.5 (*)
2	49673	TCA right	204 350 22 06	L:312.5	13	849710	silentblock for TCA	Part of	di:12.3 do:40.2 (*)
3	49674	TCA left	205 350 61 03	L:342.5	14	849705	silentblock for TCA	Part of	di:12.2 do:40.3 (*)
4	49675	TCA right	205 350 62 03	L:342.5	15	849348	mounting axle body	218 351 02 00	di:18.5 do:85
5	49676	TCA	205 350 63 03	L:331.5	16	849327	mounting axle body	205 351 19 00	di:15.1 do:91.5
6	49670	TCA left	205 350 65 03	L:265	17	849318	mounting axle body	204 351 04 42	di:15.2 do:74.2
7	49671	TCA right	205 350 66 03	L:265	18	849319	silentblock for TCA	222 352 08 65	di:12.2 do:51.4 (*)
8	849712	silentblock for TCA	Part of	di:12.3 do:43.5 (*)	19	49382	ball joint rear	204 352 00 27	di:14.2 do:40
9	849711	silentblock for TCA	Part of	di:12.3 do:43.5 (*)	20	R10079	mounting tool ring ø46 ø38	SEE PAGE III	di:38 do:46
10	849714	silentblock for TCA	Part of	di:12.2 do:39.5 (*)	21	49764	stabiliser link left	205 326 03 17	L:232
11	849713	silentblock for TCA	Part of	di:12.3 do:39.5 (*)	22	49765	stabiliser link right	205 326 04 17	L:232

G-CLASS (W463)

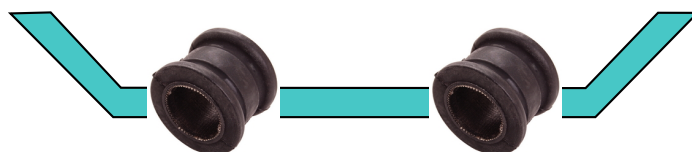
09/1989 ->



1 50538



2 849801



3 849904

3 849904

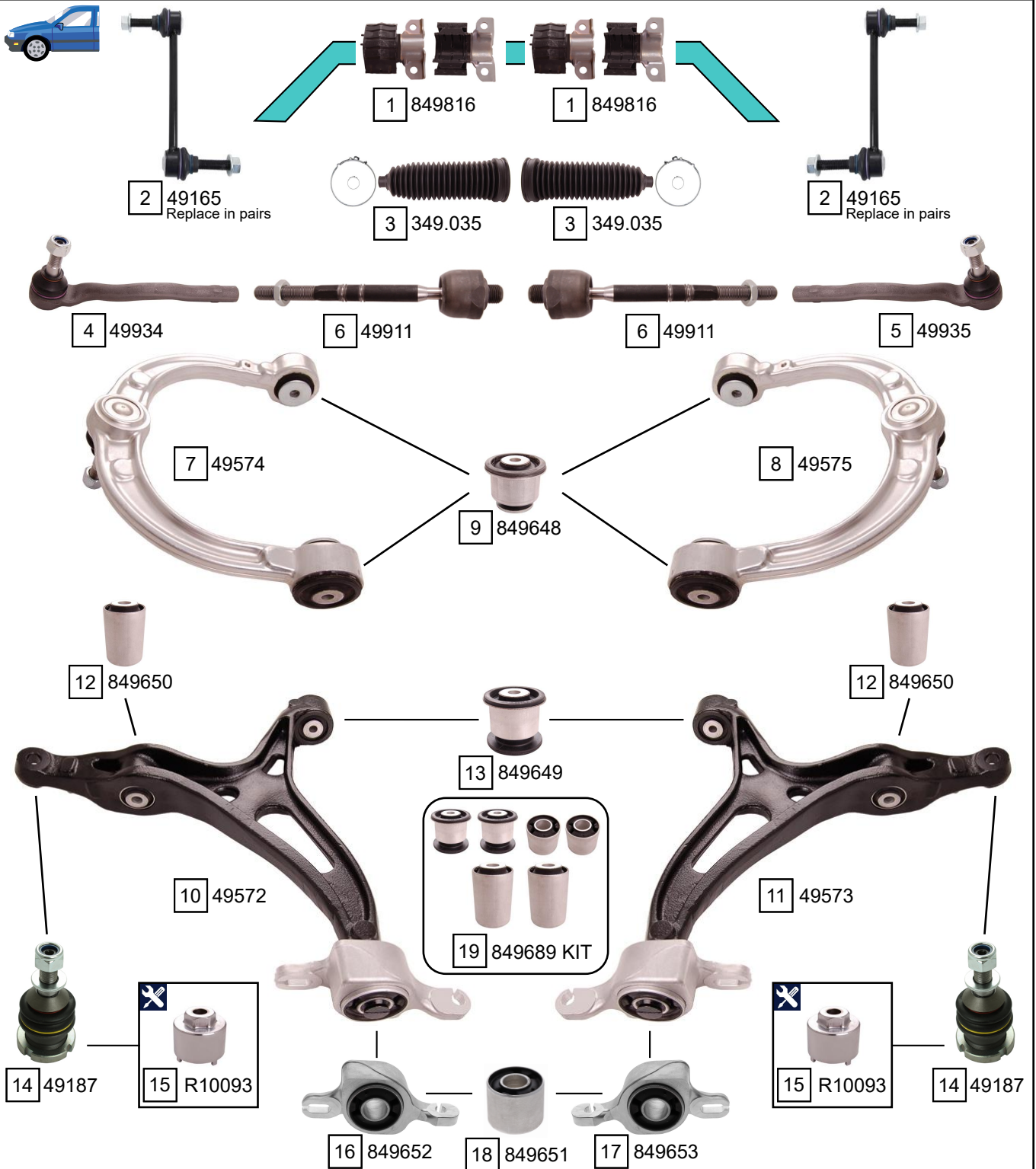


2 849801

Ref.	Sidem Ref.	Description	OE-number	Measures	Ref.	Sidem Ref.	Description	OE-number	Measures
1	50538	tie rod end	000 330 03 35	c:18.1 th:MM24x1.5R	3	849904	stabiliser mounting	129 323 01 85	di:30.2
2	849801	stabiliser mounting	309 320 00 73	di:12.1					

GL-CLASS (X164)

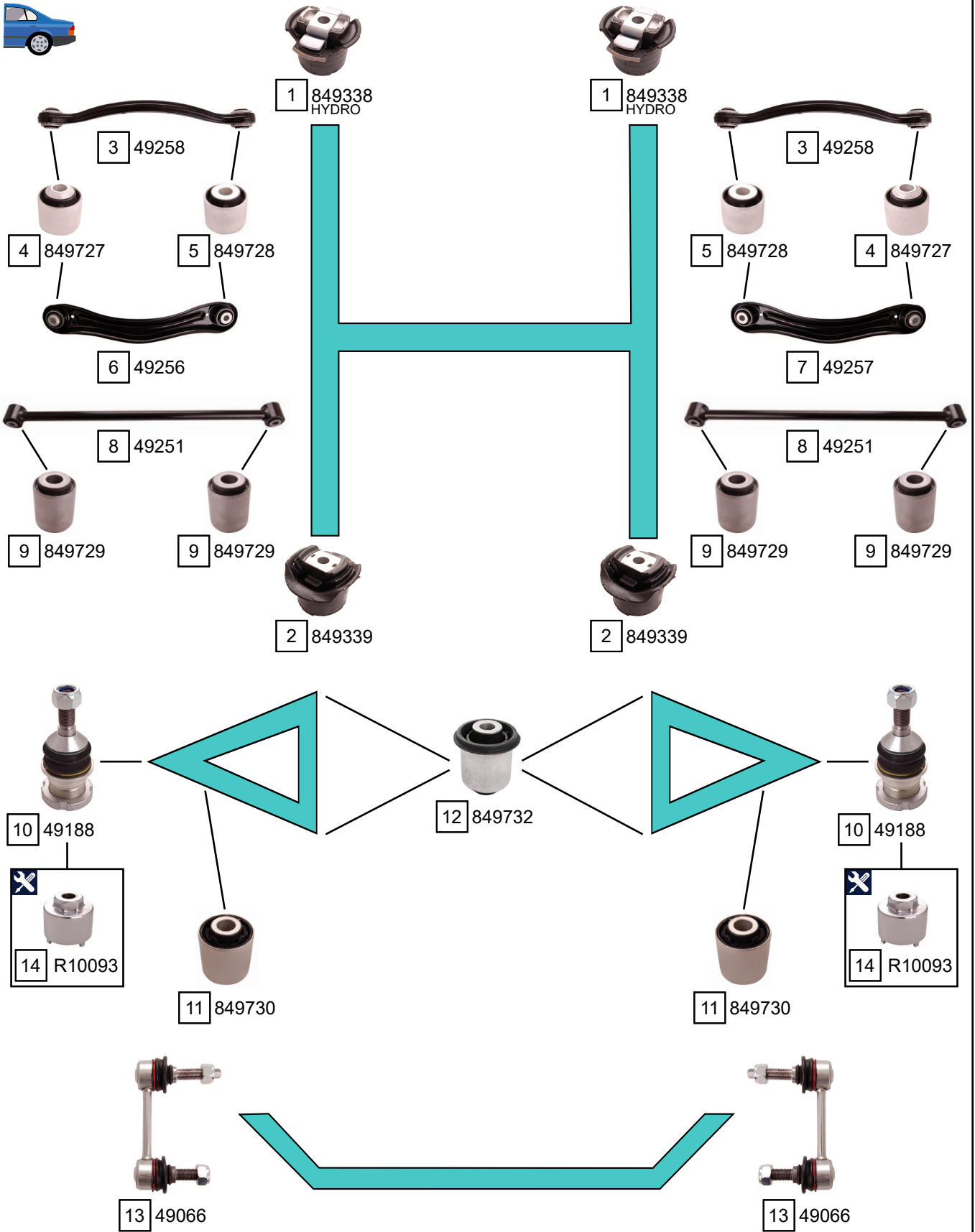
09/2006 - 08/2012



Ref.	Sidem Ref.	Description	OE-number	Measures	Ref.	Sidem Ref.	Description	OE-number	Measures
1	849816	stabiliser mounting	164 323 11 85 S1	di:29.5	11	49573	TCA right wobj	164 330 35 07	c:20
2	49165	stabiliser link	164 320 21 32	L:205	12	849650	silentblock for TCA	164 333 03 14	di:16.1 do:52.2 (*)
3	349.035	steering rack gaiter	164 460 00 96	D:67 d:16 L:218	13	849649	silentblock for TCA	164 333 04 14	di:14.1 do:57.5 (*)
4	49934	tie rod end left	164 330 11 03	c:15 th:FM14X1.5R	14	49187	ball joint	164 330 09 35	c:19.3
5	49935	tie rod end right	164 330 12 03	c:15 th:FM14X1.5R	15	R10093	mounting tool	SEE PAGE II	di:53.3
6	49911	axial joint	164 460 00 05	th:MM16X1.5R L:208.5	16	849652	silentblock for TCA left	Part of	di:29.7 do:70 (*)
7	49574	TCA left wbj	251 330 07 07	c:14.9	17	849653	silentblock for TCA right	Part of	di:29.7 do:70 (*)
8	49575	TCA right wbj	251 330 08 07	c:14.9	18	849651	silentblock for TCA	Part of	di:29.7 do:70 (*)
9	849648	silentblock for TCA	251 333 01 14	di:10.1 do:46.2 (*)	19	849689 KIT	silentblock kit	164 333 04 14 S1	
10	49572	TCA left wobj	164 330 34 07	c:20					

GL-CLASS (X164)

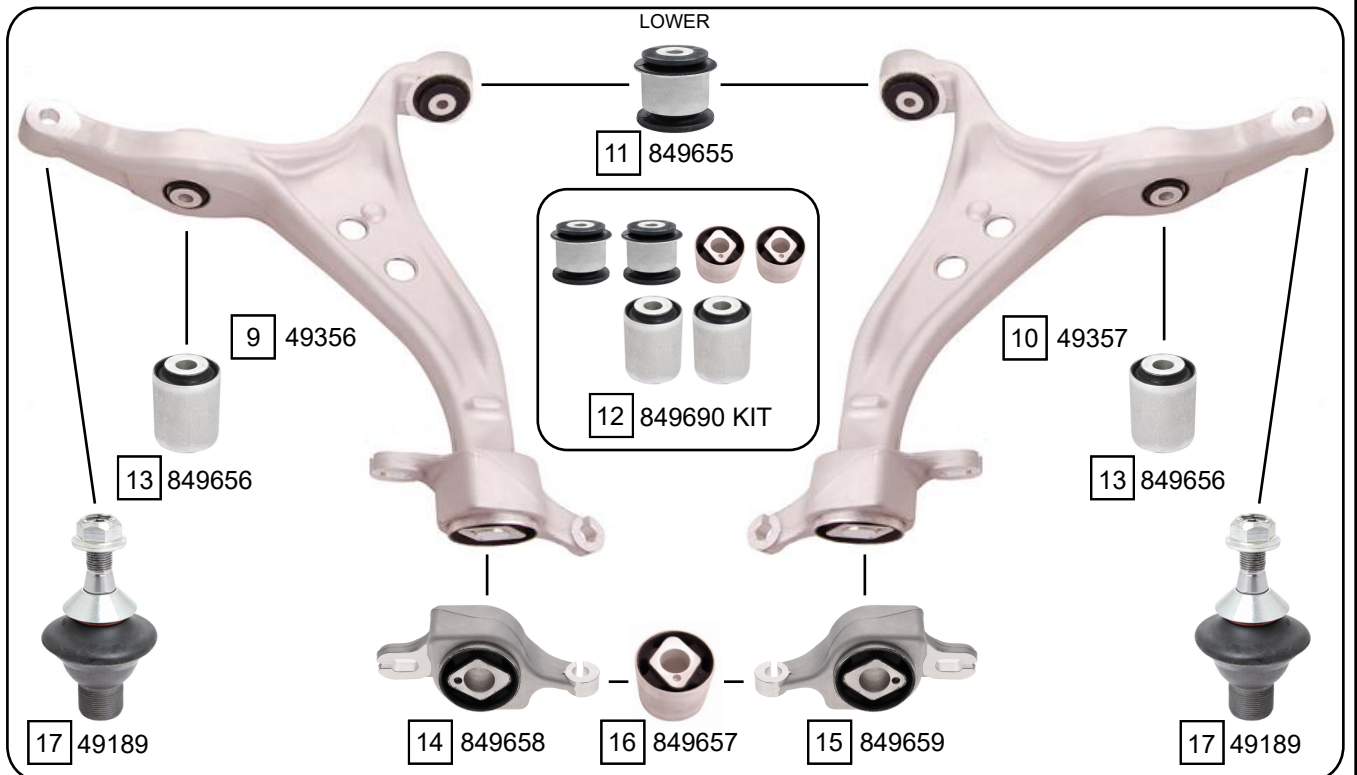
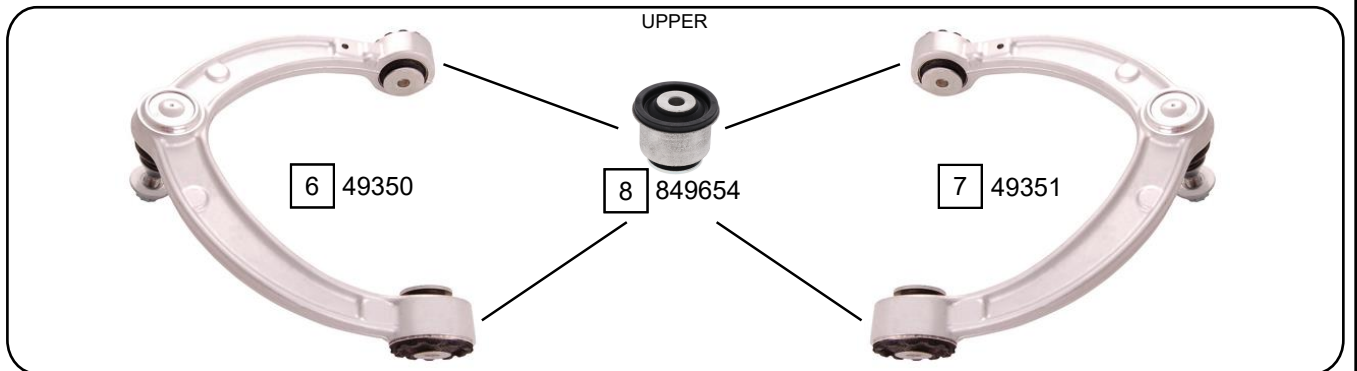
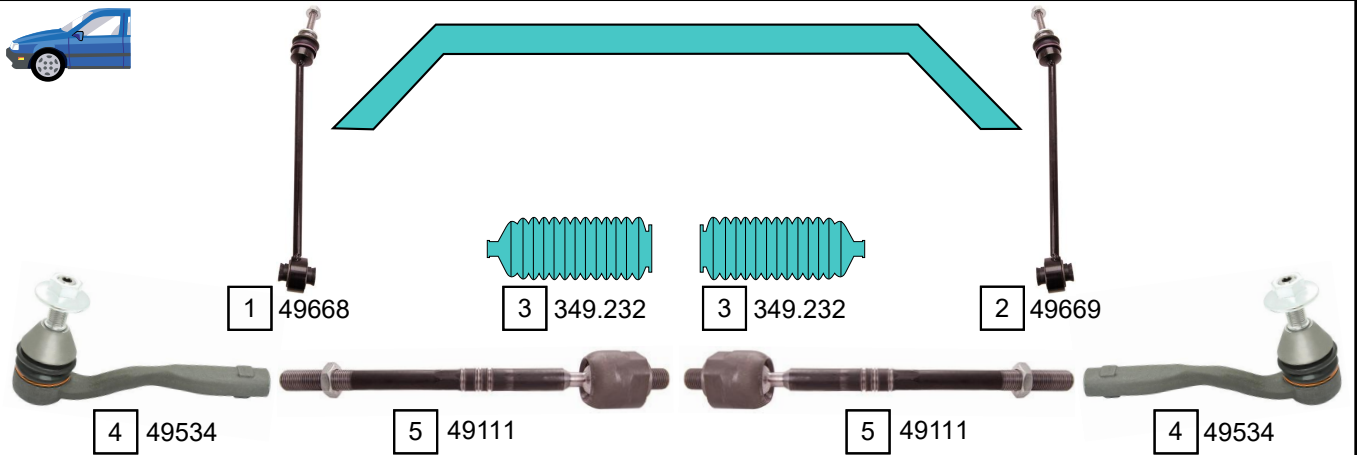
09/2006 - 08/2012



Ref.	Sidem Ref.	Description	OE-number	Measures	Ref.	Sidem Ref.	Description	OE-number	Measures
1	849338	mounting axle body	166 351 13 00	di:20.4 do:100	8	49251	track rod	166 350 00 53	L:522
2	849339	mounting axle body	166 350 00 75	di:19 do:102	9	849729	silentblock for TCA	Part of	di:12.1 do:31.6 (*)
3	49258	track rod	164 350 14 06	L:384	10	49188	ball joint	164 352 03 27	c:17.8
4	849727	silentblock for TCA	Part of	di:12 do:39.6 (*)	11	849730	silentblock for TCA	166 326 02 81	di:16.2 do:50 (*)
5	849728	silentblock for TCA	Part of	di:12 do:39.6 (*)	12	849732	silentblock for TCA	Part of	di:14.2 do:50.2 (*)
6	49256	track rod	164 350 13 06	L:362	13	49066	stabiliser link rear axle	164 320 12 32	L:117
7	49257	track rod	164 350 16 06	L:362	14	R10093	mounting tool	SEE PAGE II	di:53.3

GL (X166)

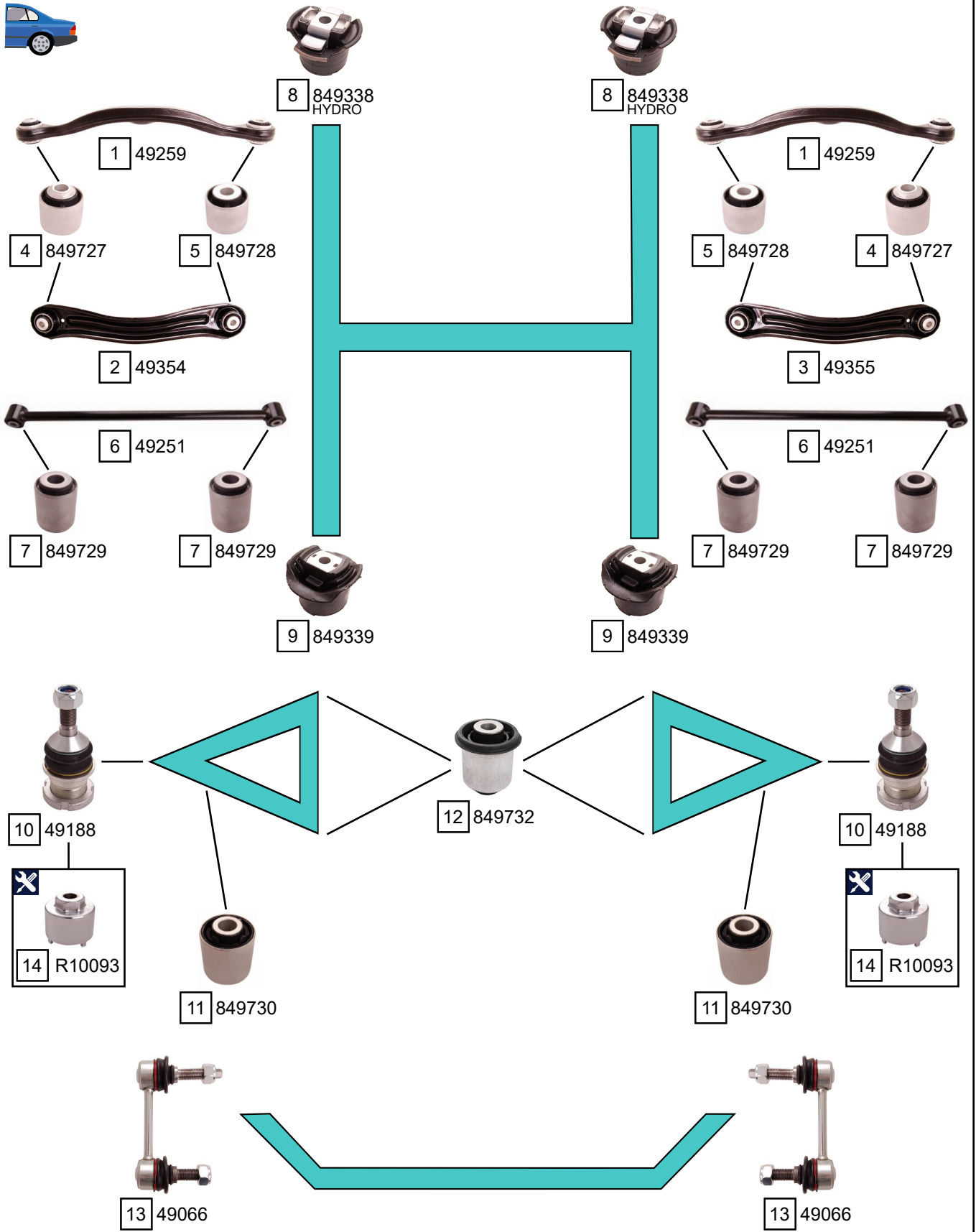
07/2012 - 10/2015



Ref.	Sidem Ref.	Description	OE-number	Measures	Ref.	Sidem Ref.	Description	OE-number	Measures
1	49668	stabiliser link left	166 320 07 89	L:320	10	49357	TCA right wobj	166 330 02 07	c:20
2	49669	stabiliser link right	166 320 08 89	L:320	11	849655	silentblock for TCA	166 333 04 14	di:14 do:57.3 (*)
3	349.232	steering rack gaiter	166 460 01 96	D:62 d:16 L:207	12	849690 KIT	silentblock kit	166 333 04 14 S1	
4	49534	tie rod end	166 330 04 03	c:21.5 th:FM16X1.5R	13	849656	silentblock for TCA	166 333 02 14	di:16.1 do:52.2 (*)
5	49111	axial joint	166 338 03 15	th:MM14x1.5R L:269	14	849658	silentblock for TCA left	166 330 01 43	do:70.1 (*)
6	49350	TCA left wbj	166 330 17 07	c:17.5	15	849659	silentblock for TCA right	166 330 02 43	do:70.1 (*)
7	49351	TCA right wbj	166 330 18 07	c:17.5	16	849657	silentblock for TCA	Part of	do:70.1 (*)
8	849654	silentblock for TCA	166 333 00 00	di:10.2 do:46.3 (*)	17	49189	ball joint	166 330 02 35	c:16.2
9	49356	TCA left wobj	166 330 01 07	c:20					

GL (X166)

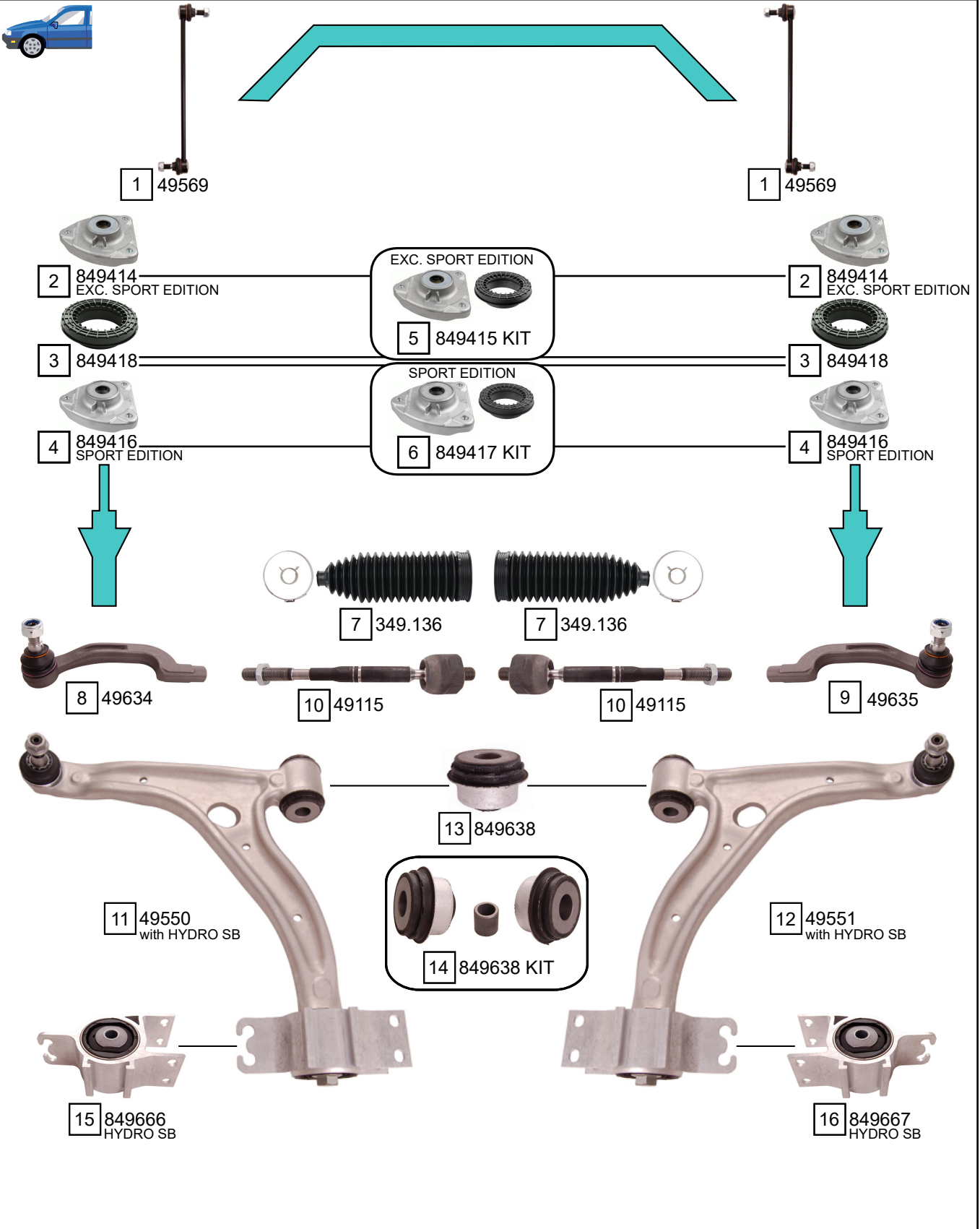
07/2012 - 10/2015



Ref.	Sidem Ref.	Description	OE-number	Measures	Ref.	Sidem Ref.	Description	OE-number	Measures
1	49259	track rod	166 350 03 06	L:390	8	849338	mounting axle body	166 351 13 00	di:20.4 do:100
2	49354	track rod	166 350 01 06	L:372	9	849339	mounting axle body	166 350 00 75	di:19 do:102
3	49355	track rod	166 350 02 06	L:372	10	49188	ball joint	164 352 03 27	c:17.8
4	849727	silentblock for TCA	Part of	di:12 do:39.6 (*)	11	849730	silentblock for TCA	166 326 02 81	di:16.2 do:50 (*)
5	849728	silentblock for TCA	Part of	di:12 do:39.6 (*)	12	849732	silentblock for TCA	Part of	di:14.2 do:50.2 (*)
6	49251	track rod	166 350 00 53	L:522	13	49066	stabiliser link rear axle	164 320 12 32	L:117
7	849729	silentblock for TCA	Part of	di:12.1 do:31.6 (*)	14	R10093	mounting tool	SEE PAGE II	di:53.3

GLA (X156)

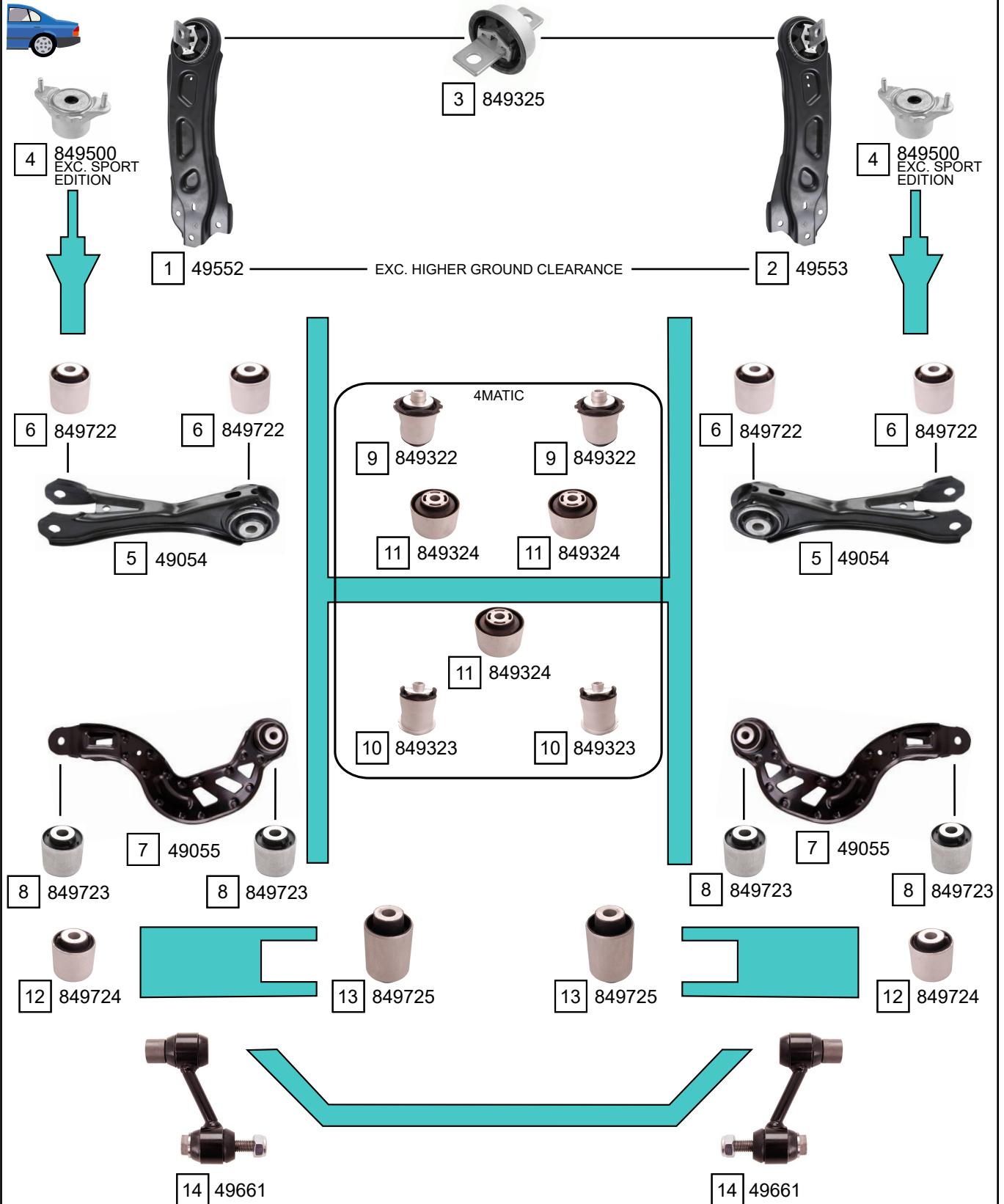
12/2013 ->



Ref.	Sidem Ref.	Description	OE-number	Measures	Ref.	Sidem Ref.	Description	OE-number	Measures
1	49569	stabiliser link	246 320 06 89	L:333	9	49635	tie rod end right	246 330 18 00	c:16.3 th:FM14X1.5R
2	849414	strut mount	246 323 00 20	do:75.8 L:68	10	49115	axial joint	246 338 00 00	th:MM14X1.5R L:222
3	849418	bearing	204 981 00 25	di:82 do:126.5 L:36.4	11	49550	TCA left wbj	156 330 01 00	c:18.1
4	849416	strut mount	176 320 01 73	di:15.2 do:75.4 L:77.8	12	49551	TCA right wbj	156 330 02 00	c:18
5	849415 KIT	strut mount kit	246 323 00 20 S1	do:75.8 L:68	13	849638	silentblock for TCA	246 333 01 14	di:19.8 do:46 (*)
6	849417 KIT	strut mount kit	176 320 01 73 S1	di:15.2 L:77.8	14	849638 KIT	silentblock kit	246 333 01 14 S1	
7	349.136	steering rack gaiter	246 463 00 96	D:57.5 d:14.5 L:192	15	849666	silentblock for TCA	246 333 05 14	di:14.2 do:70 (*)
8	49634	tie rod end left	246 330 17 00	c:16.3 th:FM14X1.5R	16	849667	silentblock for TCA	246 333 06 14	di:14.2 do:70 (*)

GLA (X156)

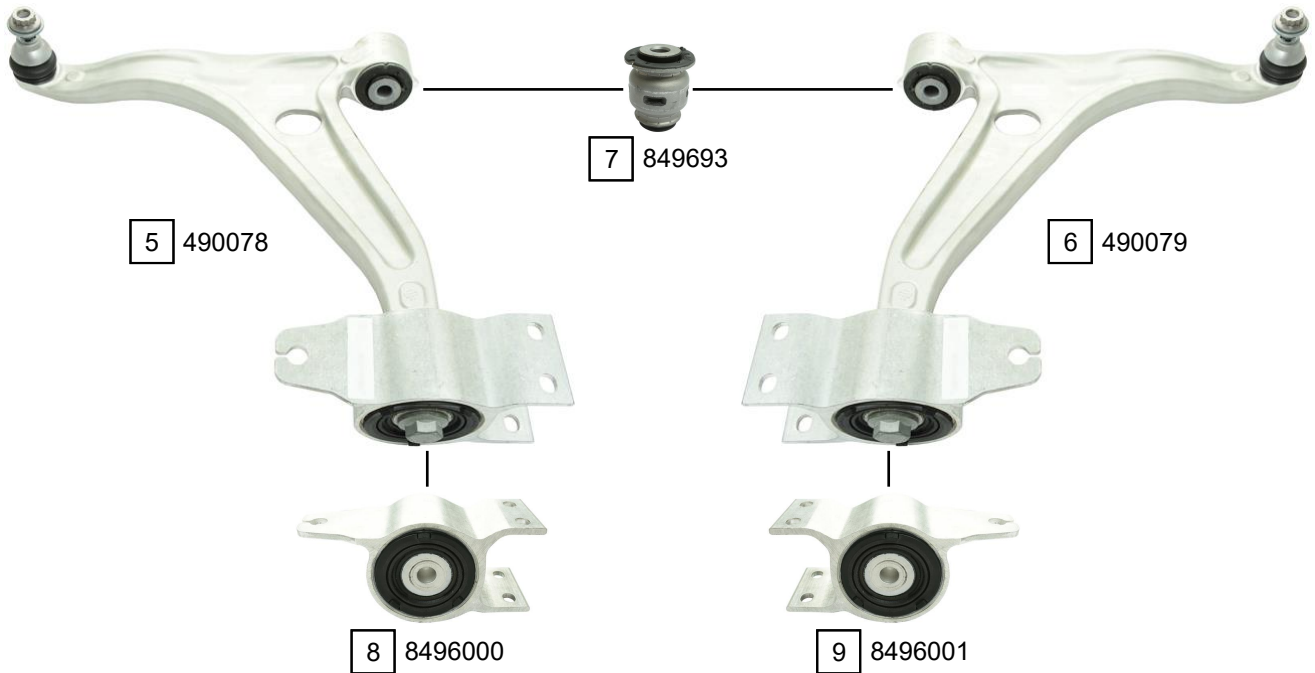
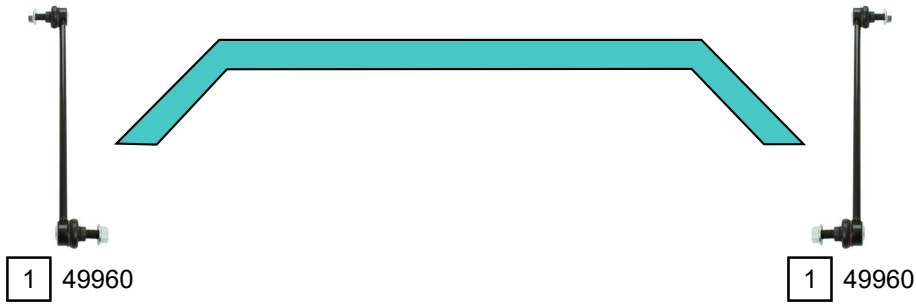
12/2013 ->



Ref.	Sidem Ref.	Description	OE-number	Measures	Ref.	Sidem Ref.	Description	OE-number	Measures
1	49552	TCA	246 350 04 06	L:390	8	849723	silentblock for TCA	246 352 01 65	di:12.1 do:45.2 (*)
2	49553	TCA	246 350 05 06	L:390	9	849322	mounting axle body	246 351 07 00	di:12.1 do:69
3	849325	mounting axle body	Part of	do:82	10	849323	mounting axle body	246 351 04 00	di:16 do:69
4	849500	strut mount	Part of	di:10.2 do:69.2 L:60.6	11	849324	mounting axle body	246 351 02 00	di:14.7 do:74.1
5	49054	track rod	246 350 00 53	L:206	12	849724	silentblock for TCA	246 352 09 65	di:12 do:45 (*)
6	849722	silentblock for TCA	246 352 02 65	di:12 do:45 (*)	13	849725	silentblock for TCA	246 352 01 00	di:12.1 do:45 (*)
7	49055	track rod	246 350 10 06	L:328	14	49661	stabiliser link rear axle	246 320 07 89	L:80

GLA (H247)

02/2020 ->



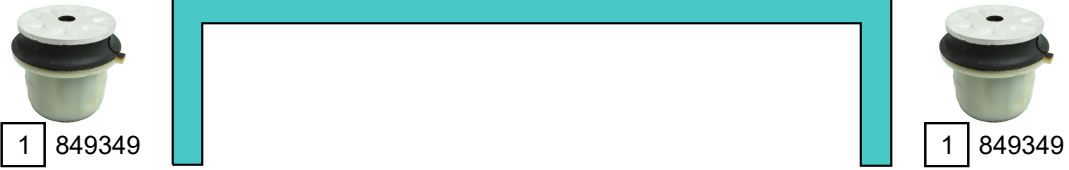
Ref.	Sidem Ref.	Description	OE-number	Measures	Ref.	Sidem Ref.	Description	OE-number	Measures
1	49960	stabiliser link	247 320 42 00	L:339	6	490079	TCA right wbj	247 330 88 02	c:26.3
2	49832	tie rod end left	247 330 85 01	c:26.3 th:FM14X1.5R	7	849693	silentblock for TCA	Part of	di:14.3 do:50.2 (*)
3	49833	tie rod end right	247 330 82 01	c:26.3 th:FM14X1.5R	8	8496000	silentblock for TCA	247 333 11 00	di:14.2
4	49213	axial joint	247 338 00 00	th:MM14X1.5R L:223	9	8496001	silentblock for TCA	247 333 12 00	di:14.2
5	490078	TCA left wbj	247 330 87 02	c:26.3					

GLA (H247)

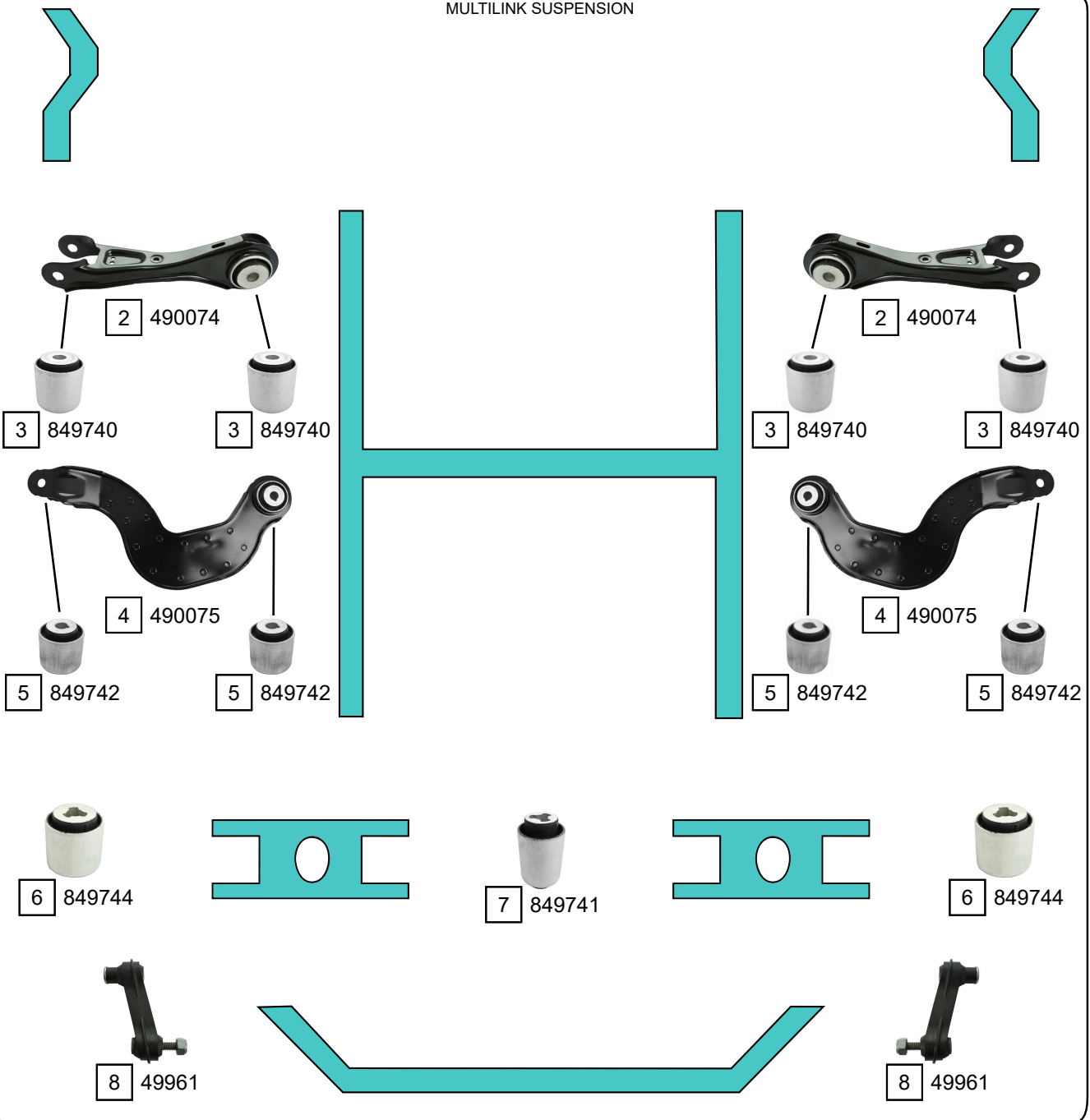
02/2020 ->



TORSION BEAM SUSPENSION



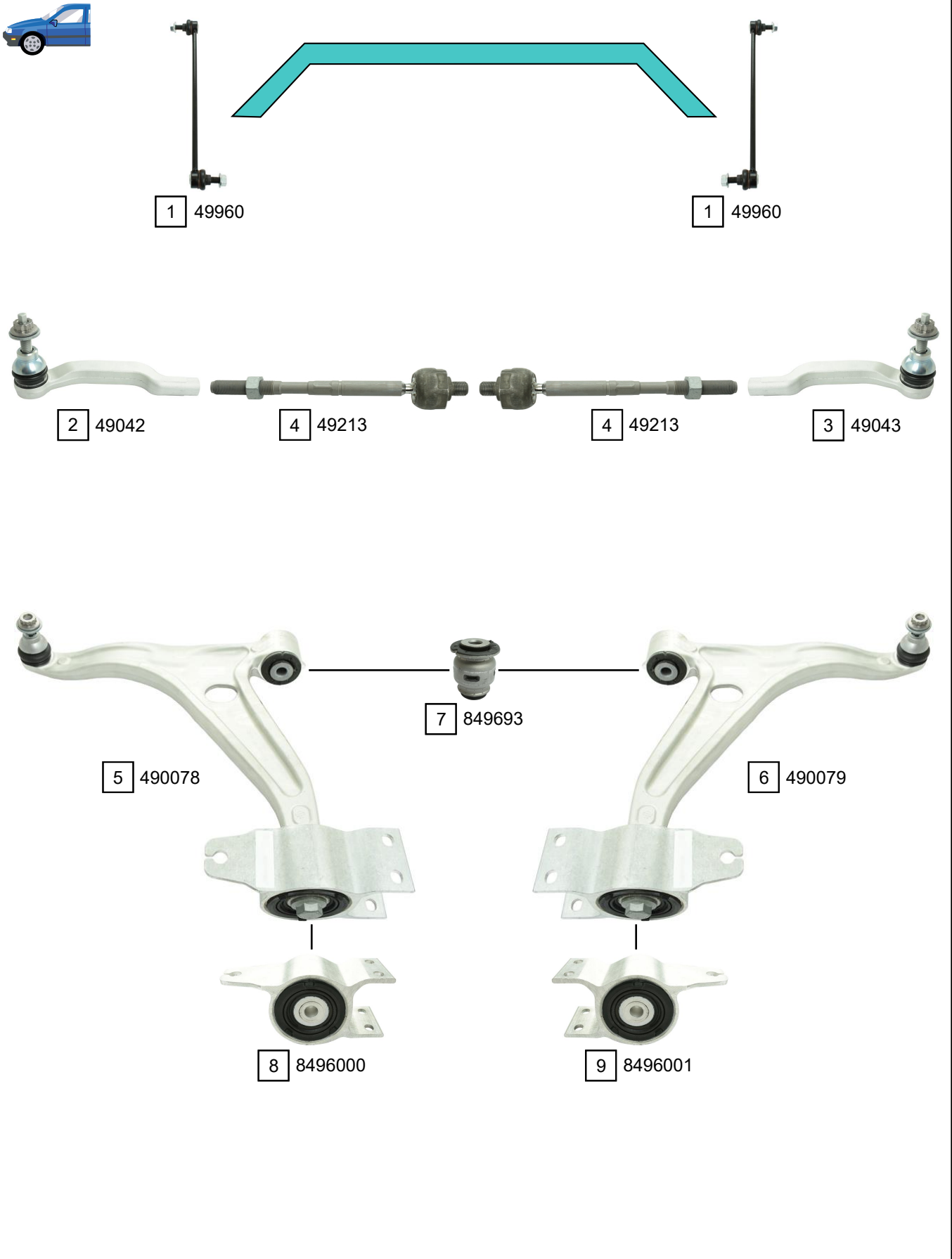
MULTILINK SUSPENSION



Ref.	Sidem Ref.	Description	OE-number	Measures	Ref.	Sidem Ref.	Description	OE-number	Measures
1	849349	mounting axle body	247 353 05 00	di:13.1 do:72	5	849742	silentblock for TCA	Part of	di:12.1 do:45.1 (*)
2	490074	track rod	247 350 18 00	L:206	6	849744	silentblock for TCA	247 352 21 00	di:12.1 do:45.1
3	849740	silentblock for TCA	247 352 17 00	di:12.2 do:45.1 (*)	7	849741	silentblock for TCA	247 352 19 00	di:12.2 do:45.2 (*)
4	490075	track rod	247 350 17 00	L:328	8	49961	stabiliser link rear	247 320 53 00	L:90

GLB (X247)

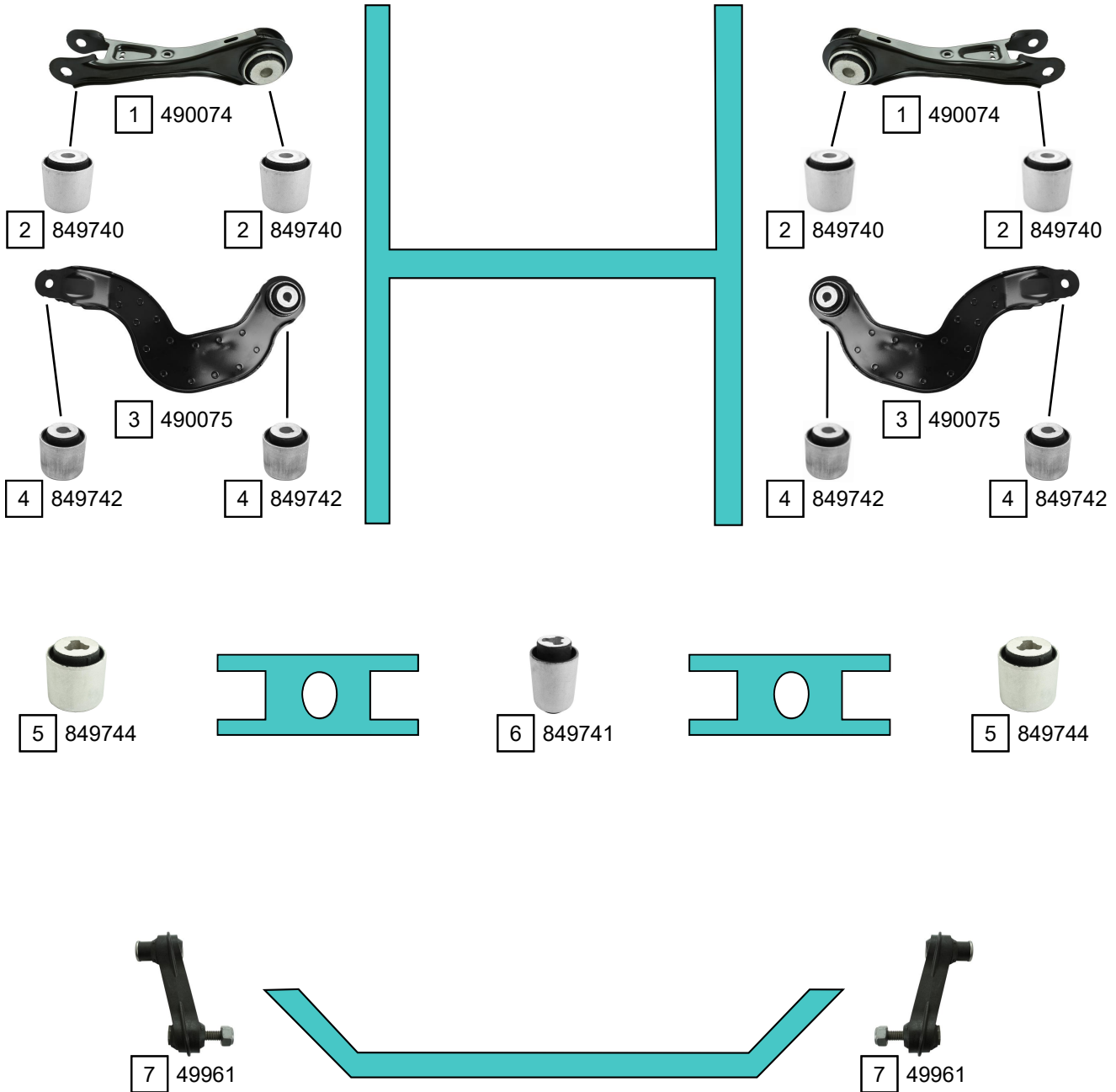
08/2019 ->



Ref.	Sidem Ref.	Description	OE-number	Measures	Ref.	Sidem Ref.	Description	OE-number	Measures
1	49960	stabiliser link	247 320 42 00	L:339	6	490079	TCA right wbj	247 330 88 02	c:26.3
2	49042	tie rod end left	247 330 87 01	c:26.3 th:FM14X1.5R	7	849693	silentblock for TCA	Part of	di:14.3 do:50.2 (*)
3	49043	tie rod end right	247 330 86 01	c:26.3 th:FM14X1.5R	8	8496000	silentblock for TCA	247 333 11 00	di:14.2
4	49213	axial joint	247 338 00 00	th:MM14X1.5R L:223	9	8496001	silentblock for TCA	247 333 12 00	di:14.2
5	490078	TCA left wbj	247 330 87 02	c:26.3					

GLB (X247)

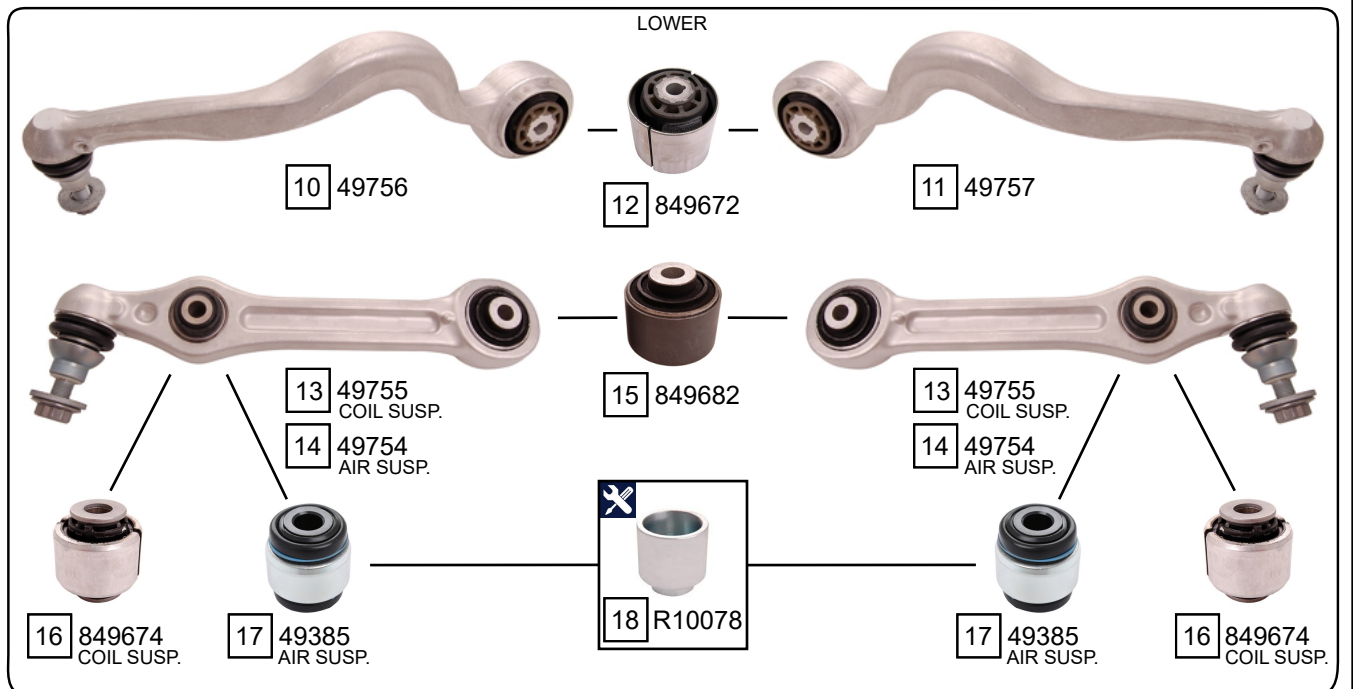
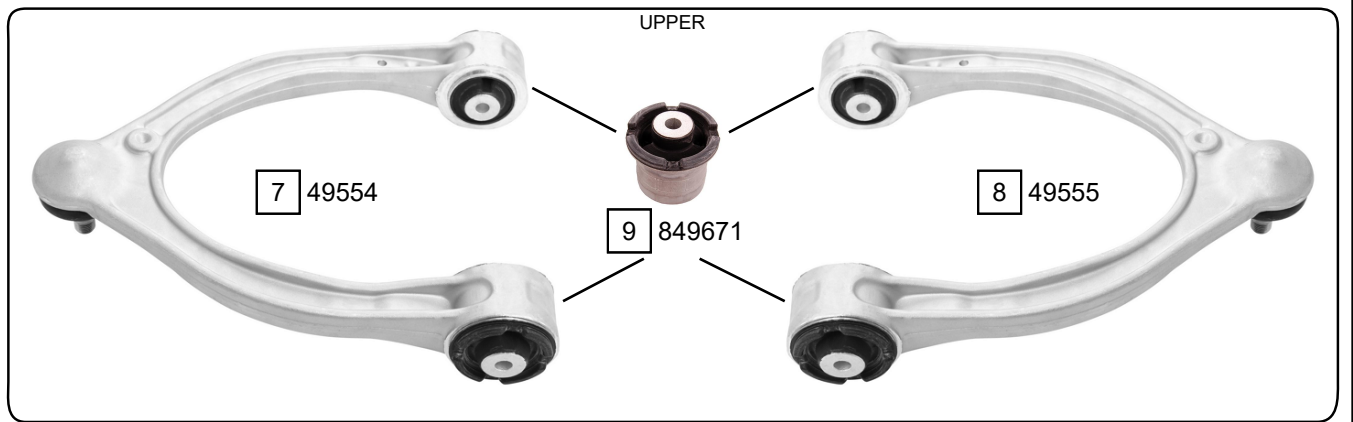
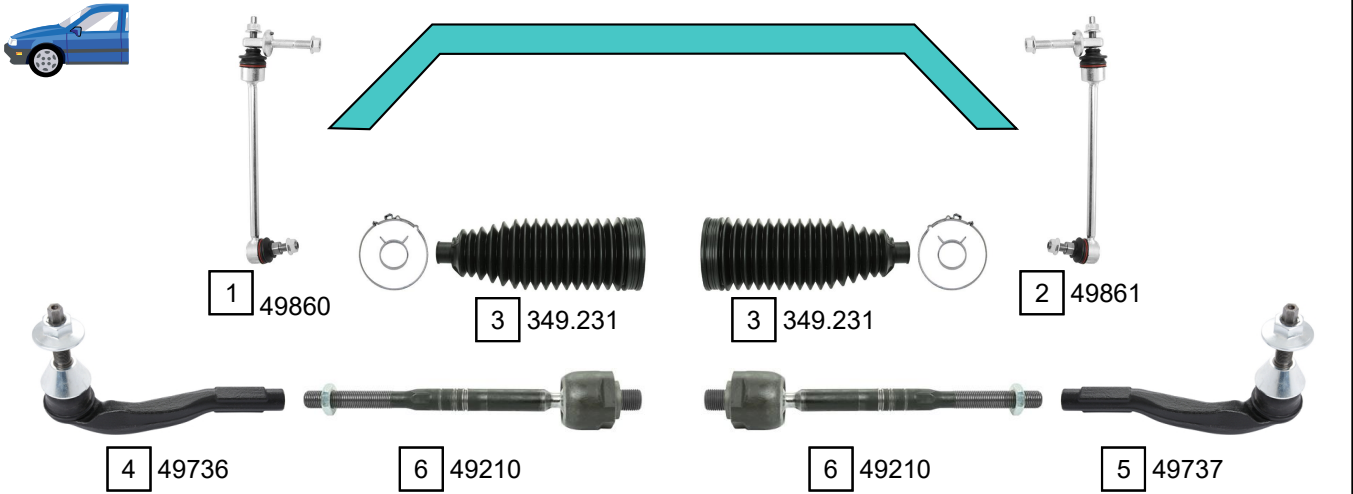
08/2019 ->



Ref.	Sidem Ref.	Description	OE-number	Measures	Ref.	Sidem Ref.	Description	OE-number	Measures
1	490074	track rod	247 350 18 00	L:206	5	849744	silentblock for TCA	247 352 21 00	di:12.1 do:45.1
2	849740	silentblock for TCA	247 352 17 00	di:12.2 do:45.1 (*)	6	849741	silentblock for TCA	247 352 19 00	di:12.2 do:45.2 (*)
3	490075	track rod	247 350 17 00	L:328	7	49961	stabiliser link rear	247 320 53 00	L:90
4	849742	silentblock for TCA	Part of	di:12.1 do:45.1 (*)					

GLC (X253)
GLC COUPE (C253)

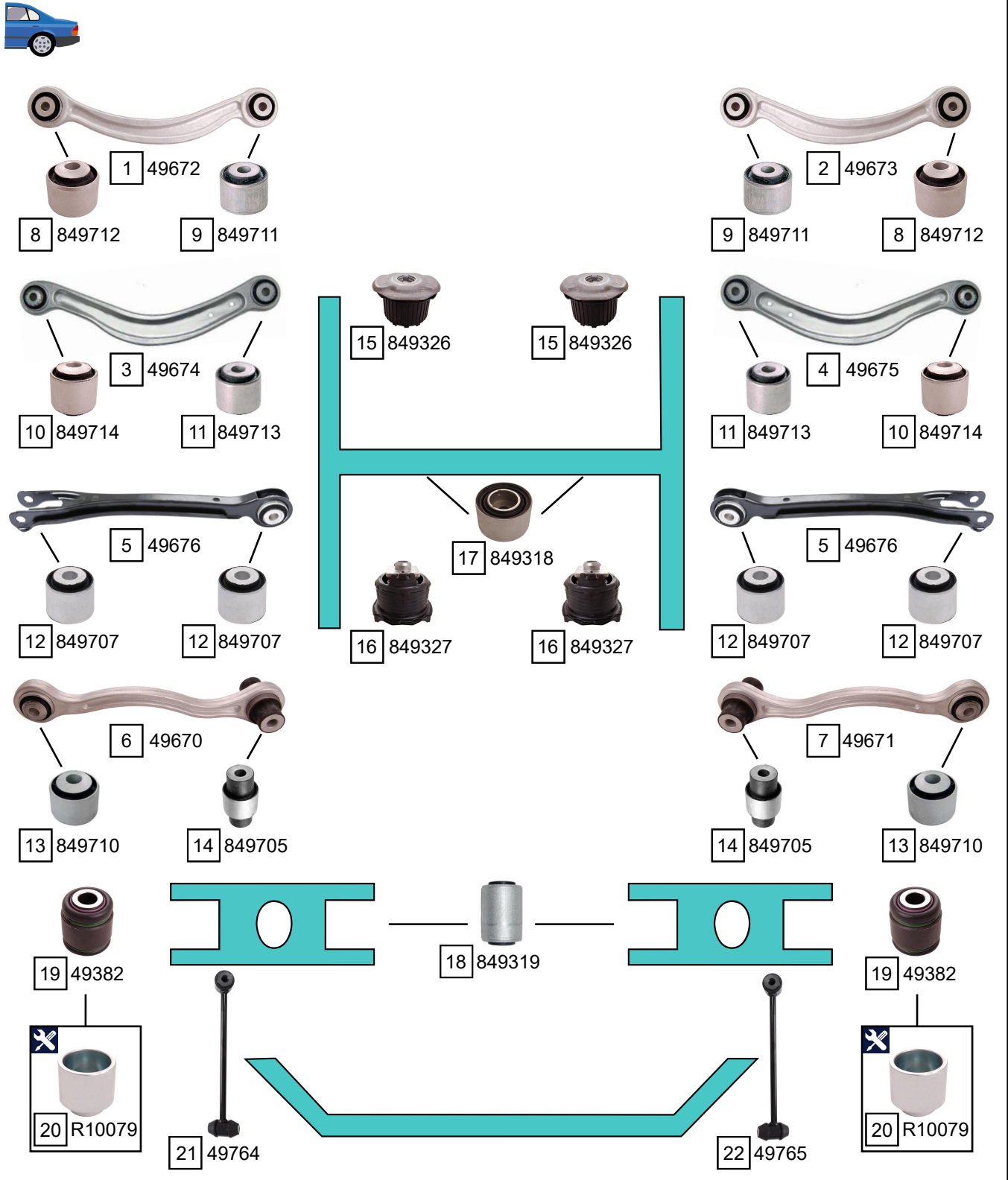
06/2015 ->
06/2016 ->



Ref.	Sidem Ref.	Description	OE-number	Measures	Ref.	Sidem Ref.	Description	OE-number	Measures
1	49860	stabiliser link left	253 323 01 17		10	49756	TCA left wbj	205 330 17 05	c:16 L:450
2	49861	stabiliser link right	253 323 02 17		11	49757	TCA right wbj	205 330 18 05	c:16 L:450
3	349.231	steering rack gaiter	205 463 00 96	D:61.5 d:16 L:197	12	849672	silentblock for TCA	Part of	di:14 do:76 (*)
4	49736	tie rod end left	205 460 00 05	c:21.5 th:FM14X1.5R	13	49755	TCA wbj	205 330 67 10	c:16 L:340
5	49737	tie rod end right	205 460 01 05	c:21.5 th:FM14X1.5R	14	49754	TCA wbj	205 330 58 01	c:16 L:340
6	49210	axial joint	205 460 04 05	th:MM16X1.5R L:242	15	849682	silentblock for TCA	Part of	di:14.1 do:55.5 (*)
7	49554	TCA left wbj	205 330 55 01	c:14.7	16	849674	silentblock for TCA	Part of	di:14.1 do:46 (*)
8	49555	TCA right wbj	205 330 56 01	c:14.7	17	49385	ball joint	205 352 37 00	di:14.1 do:44
9	849671	silentblock for TCA	Part of	di:10 do:51.2 (*)	18	R10078	mounting tool ring ø44 ø36	SEE PAGE III	di:36 do:44

GLC (X253)
GLC COUPE (C253)

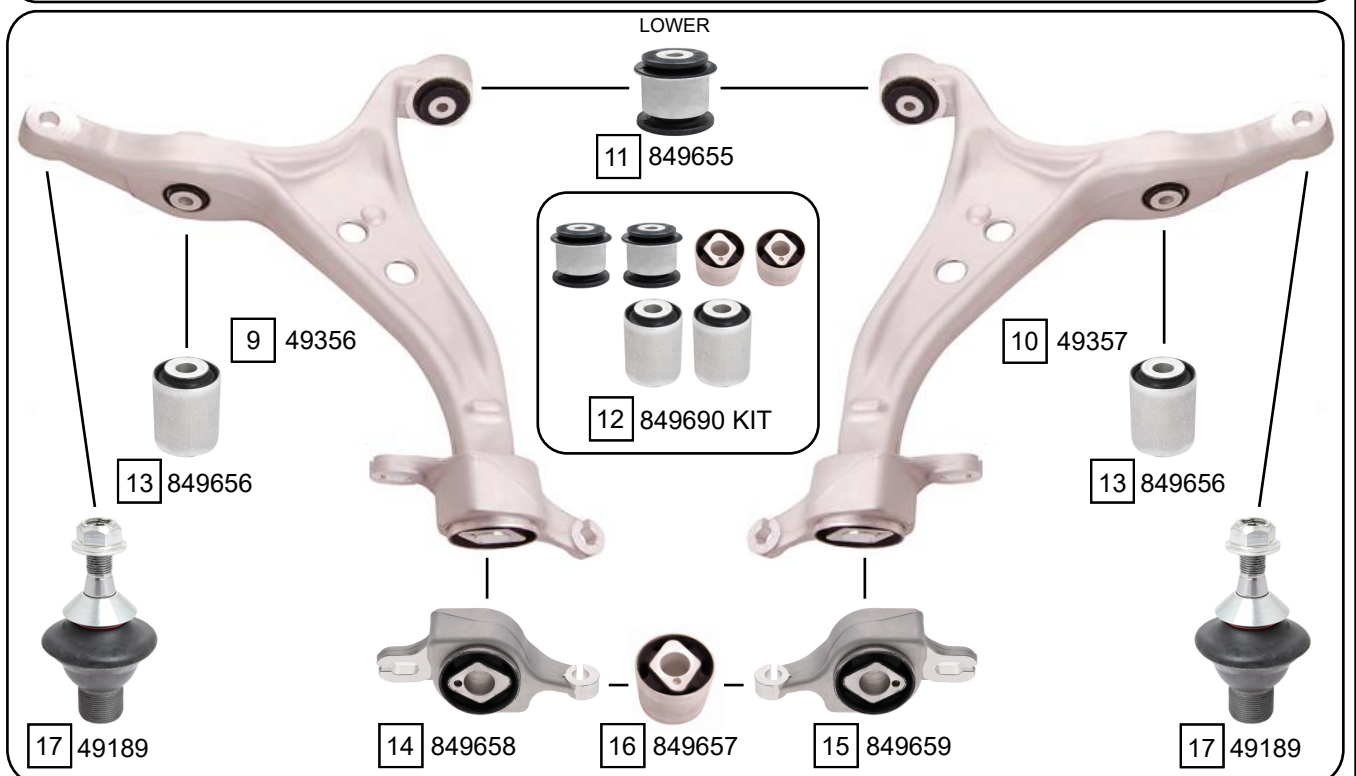
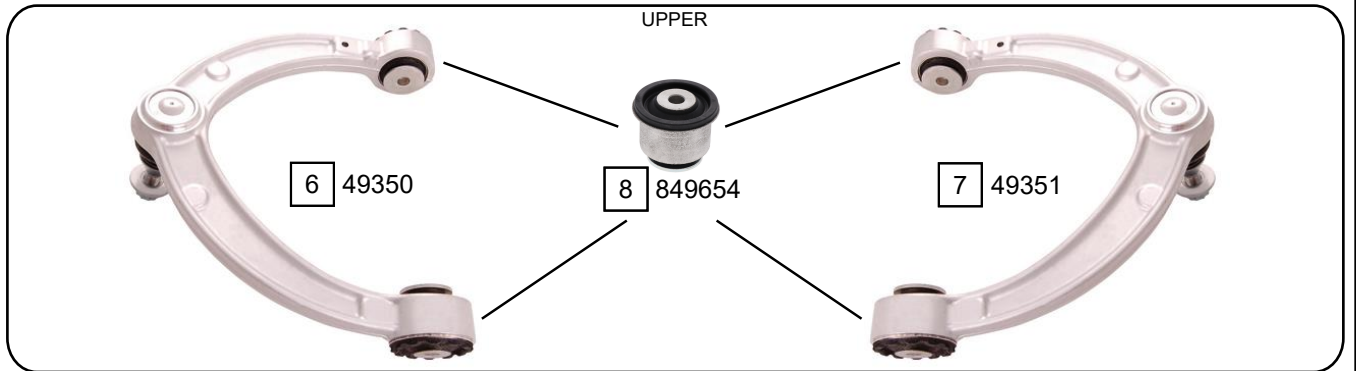
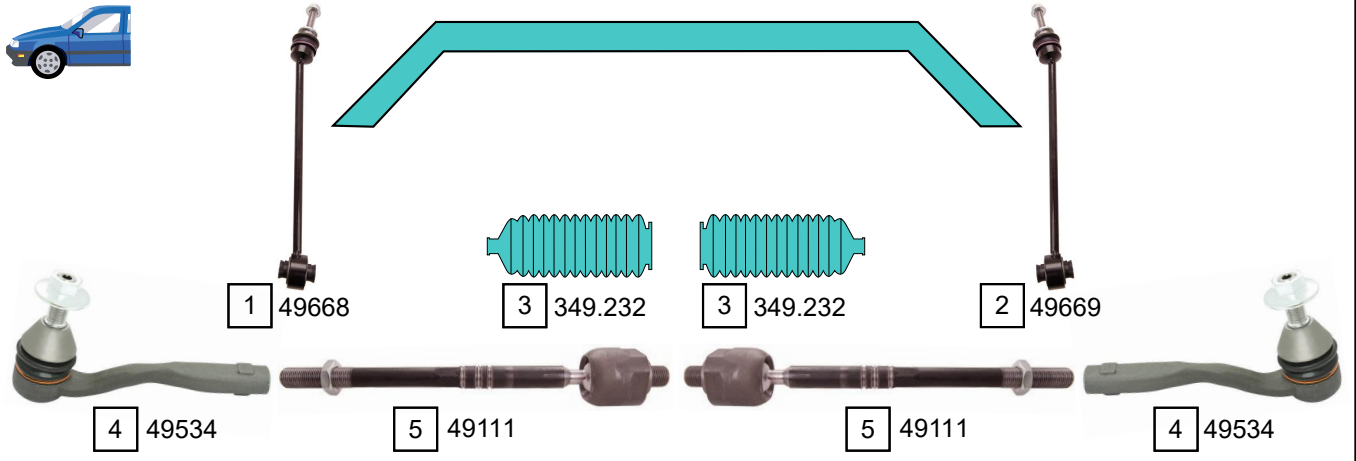
06/2015 ->
06/2016 ->



Ref.	Sidem Ref.	description	OE-number	measures	Ref.	Sidem Ref.	description	OE-number	measures
1	49672	TCA left	204 350 21 06	L:312.5	12	849707	silentblock for TCA	230 352 15 65	di:12.1 do:38.5 (*)
2	49673	TCA right	204 350 22 06	L:312.5	13	849710	silentblock for TCA	Part of	di:12.3 do:40.2 (*)
3	49674	TCA left	205 350 61 03	L:342.5	14	849705	silentblock for TCA	Part of	di:12.2 do:40.3 (*)
4	49675	TCA right	205 350 62 03	L:342.5	15	849326	mounting axle body	205 351 00 42	di:18.6 do:86
5	49676	TCA	205 350 63 03	L:331.5	16	849327	mounting axle body	205 351 19 00	di:15.1 do:91.5
6	49670	TCA left	205 350 65 03	L:265	17	849318	mounting axle body	204 351 04 42	di:15.2 do:74.2
7	49671	TCA right	205 350 66 03	L:265	18	849319	silentblock for TCA	222 352 08 65	di:12.2 do:51.4 (*)
8	849712	silentblock for TCA	Part of	di:12.3 do:43.5 (*)	19	49382	ball joint rear	204 352 00 27	di:14.2 do:40
9	849711	silentblock for TCA	Part of	di:12.3 do:43.5 (*)	20	R10079	mounting tool ring ø46 ø38	SEE PAGE III	di:38 do:46
10	849714	silentblock for TCA	Part of	di:12.2 do:39.5 (*)	21	49764	stabiliser link left	205 326 03 17	L:232
11	849713	silentblock for TCA	Part of	di:12.3 do:39.5 (*)	22	49765	stabiliser link right	205 326 04 17	L:232

GLE (W166)
GLE COUPE (C292)

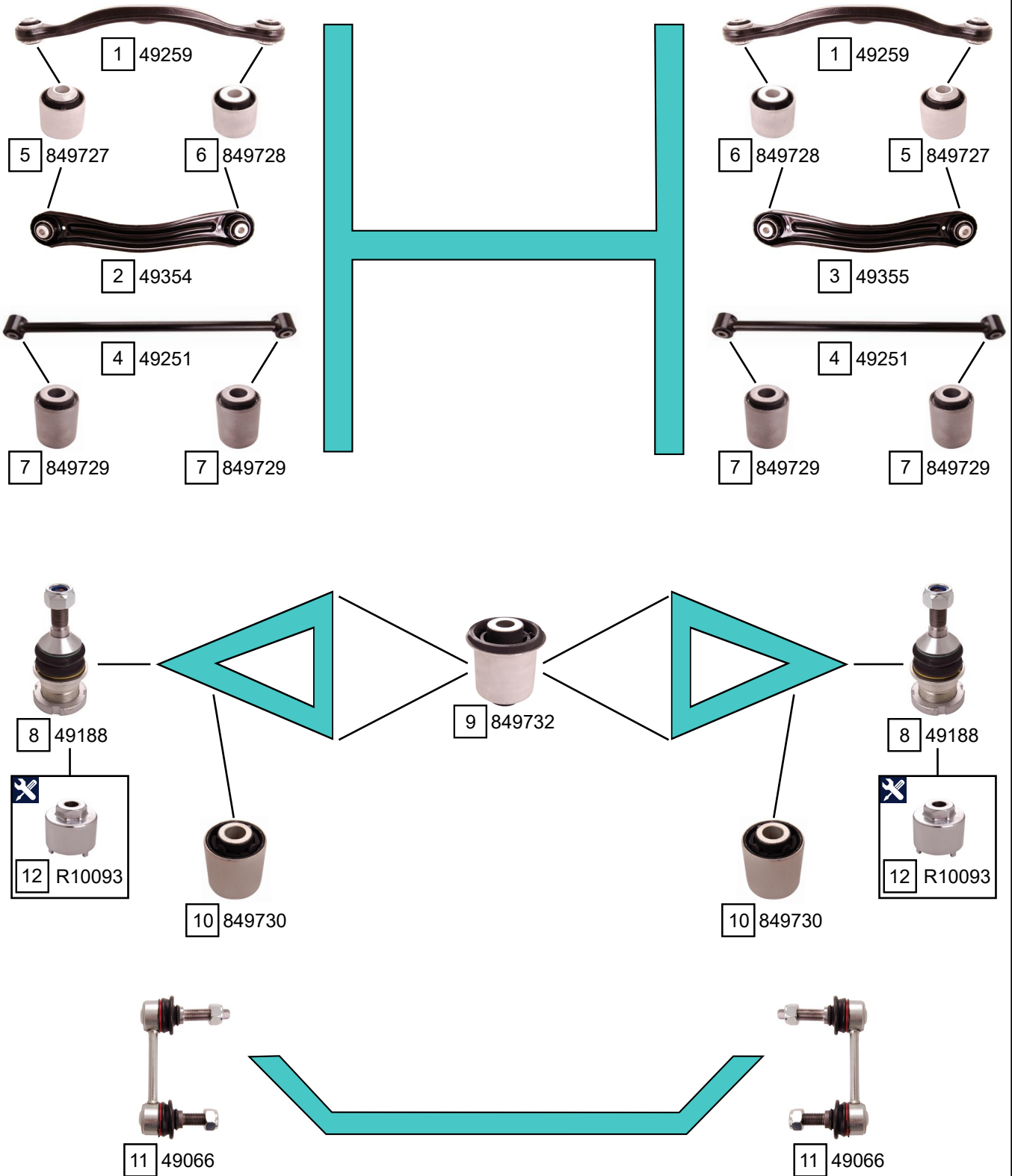
04/2015 - 10/2018
03/2015 - 10/2019



Ref.	Sidem Ref.	Description	OE-number	Measures	Ref.	Sidem Ref.	Description	OE-number	Measures
1	49668	stabiliser link left	166 320 07 89	L:320	10	49357	TCA right wobj	166 330 02 07	c:20
2	49669	stabiliser link right	166 320 08 89	L:320	11	849655	silentblock for TCA	166 333 04 14	di:14 do:57.3 (*)
3	349.232	steering rack gaiter	166 460 01 96	D:62 d:16 L:207	12	849690 KIT	silentblock kit	166 333 04 14 S1	
4	49534	tie rod end	166 330 04 03	c:21.5 th:FM16X1.5R	13	849656	silentblock for TCA	166 333 02 14	di:16.1 do:52.2 (*)
5	49111	axial joint	166 338 03 15	th:MM14x1.5R L:269	14	849658	silentblock for TCA left	166 330 01 43	do:70.1 (*)
6	49350	TCA left wbj	166 330 17 07	c:17.5	15	849659	silentblock for TCA right	166 330 02 43	do:70.1 (*)
7	49351	TCA right wbj	166 330 18 07	c:17.5	16	849657	silentblock for TCA	Part of	do:70.1 (*)
8	849654	silentblock for TCA	166 333 00 00	di:10.2 do:46.3 (*)	17	49189	ball joint	166 330 02 35	c:16.2
9	49356	TCA left wobj	166 330 01 07	c:20					

GLE (W166)
GLE COUPE (C292)

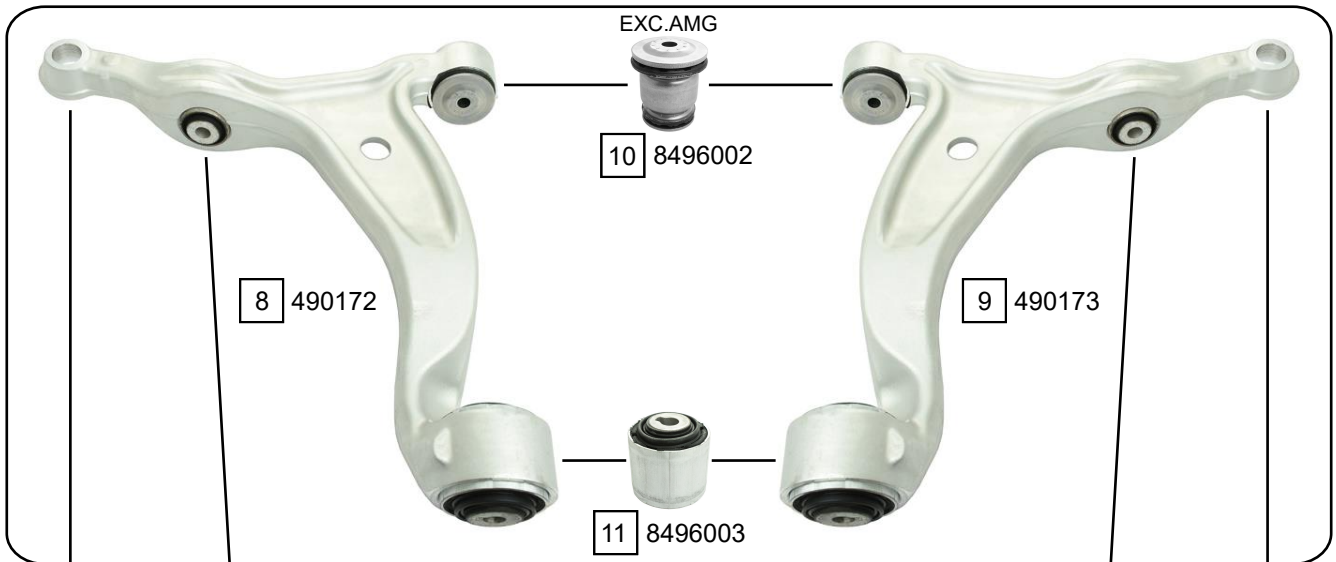
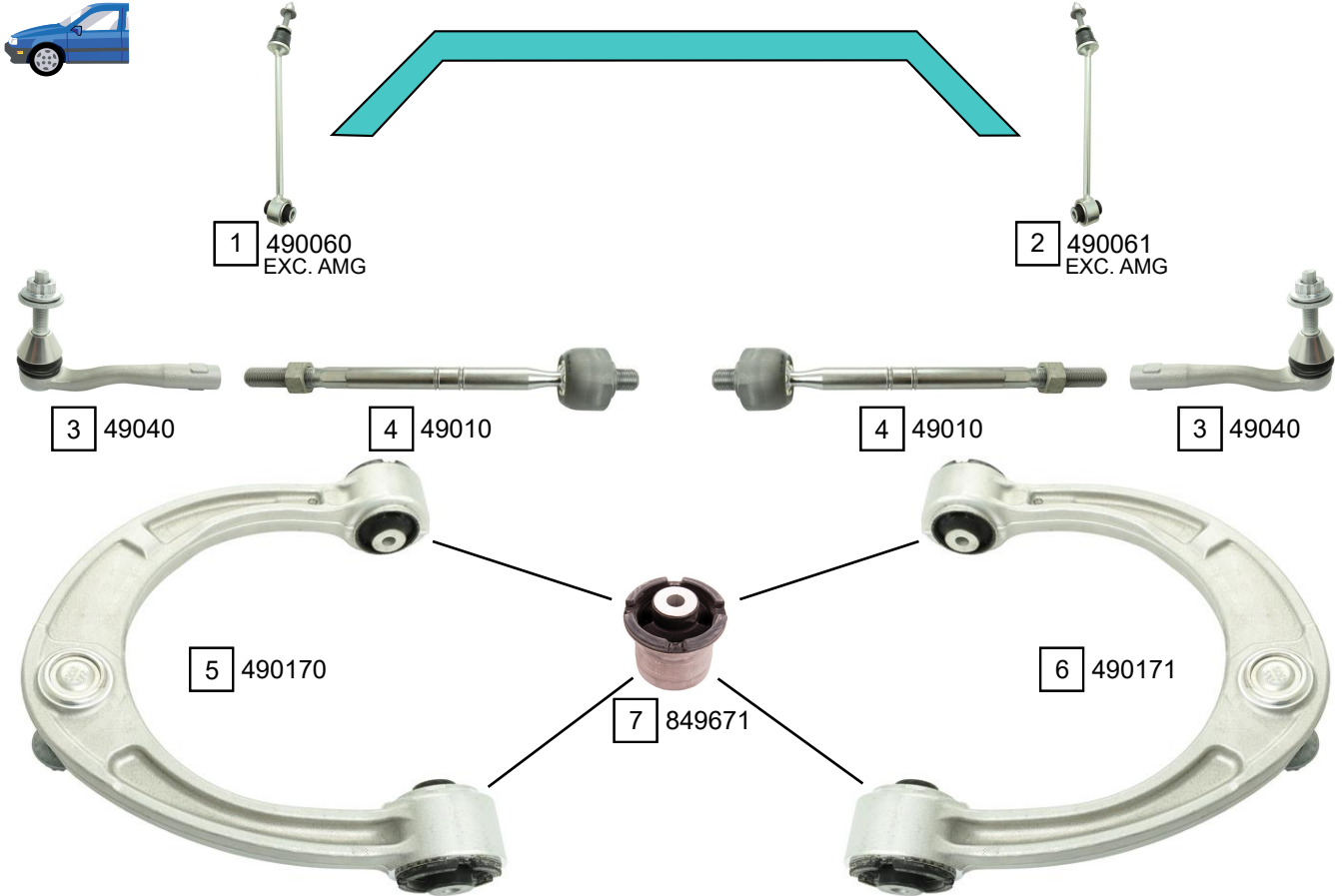
04/2015 - 10/2018
03/2015 - 10/2019



Ref.	Sidem Ref.	Description	OE-number	Measures	Ref.	Sidem Ref.	Description	OE-number	Measures
1	49259	track rod	166 350 03 06	L:390	7	849729	silentblock for TCA	Part of	di:12.1 do:31.6 (*)
2	49354	track rod	166 350 01 06	L:372	8	49188	ball joint	164 352 03 27	c:17.8
3	49355	track rod	166 350 02 06	L:372	9	849732	silentblock for TCA	Part of	di:14.2 do:50.2 (*)
4	49251	track rod	166 350 00 53	L:522	10	849730	silentblock for TCA	166 326 02 81	di:16.2 do:50 (*)
5	849727	silentblock for TCA	Part of	di:12 do:39.6 (*)	11	49066	stabiliser link rear axle	164 320 12 32	L:117
6	849728	silentblock for TCA	Part of	di:12 do:39.6 (*)	12	R10093	mounting tool	SEE PAGE II	di:53.3

GLE (V167)
GLE COUPE (C167)

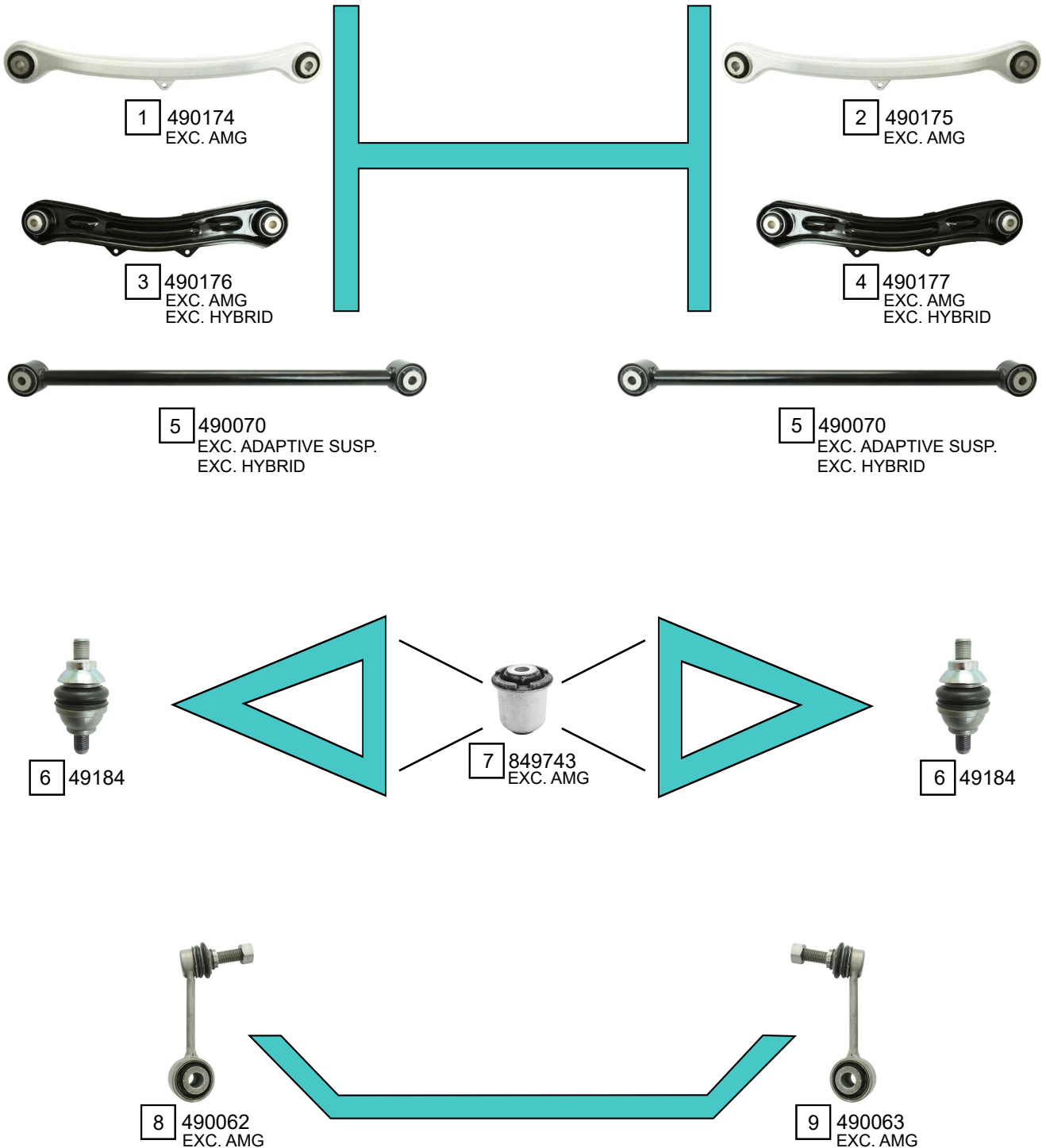
10/2018 ->
11/2019 ->



Ref.	Sidem Ref.	Description	OE-number	Measures	Ref.	Sidem Ref.	Description	OE-number	Measures
1	490060	stabiliser link left	167 320 01 89	L:300	8	490172	TCA left wobj	167 330 07 00	
2	490061	stabiliser link right	167 320 02 89	L:300	9	490173	TCA right wobj	167 330 08 00	
3	49040	tie rod end	167 330 71 00	c:21.5 th:FM16X1.5R	10	8496002	silentblock for TCA	167 333 12 00	di:14.2 do:57.3
4	49010	axial joint	167 338 00 00	th:MM16X1.5R L:282	11	8496003	silentblock for TCA	167 333 16 00	di:15.8 do:75.4
5	490170	TCA left wbj	167 330 13 00		12	8496004	silentblock for TCA	167 333 15 00	di:16.2 do:52.2
6	490171	TCA right wbj	167 330 14 00		13	49184	ball joint	167 330 63 00	c:28.4
7	849671	silentblock for TCA	Part of	di:10 do:51.2 (*)					

GLE (V167)
GLE COUPE (C167)

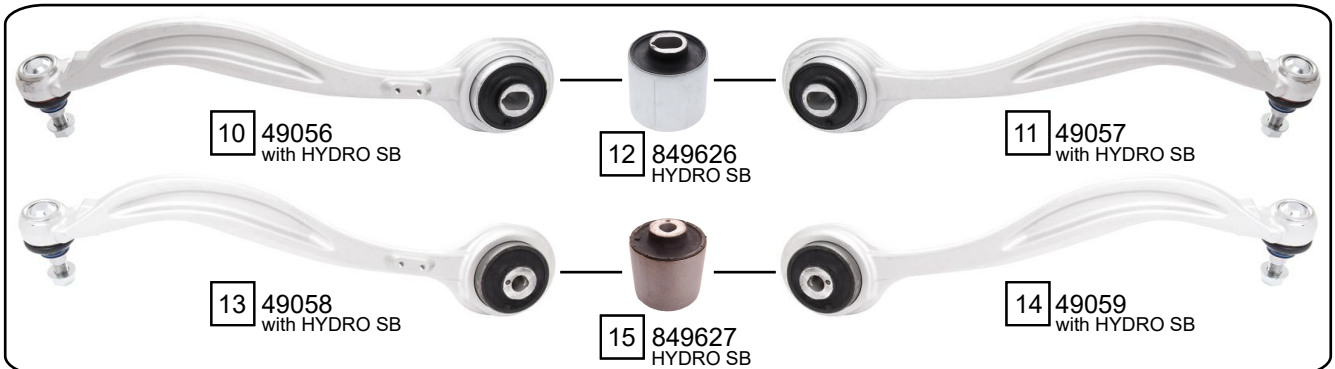
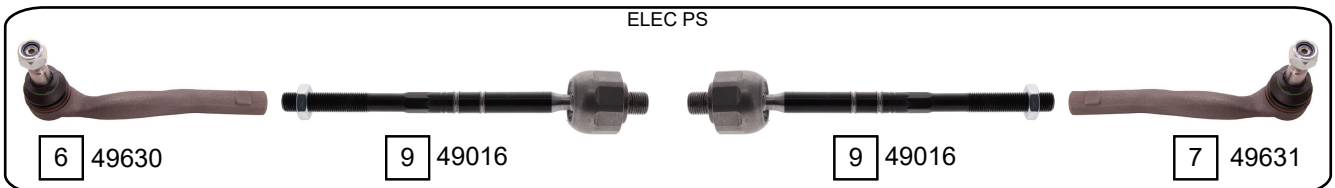
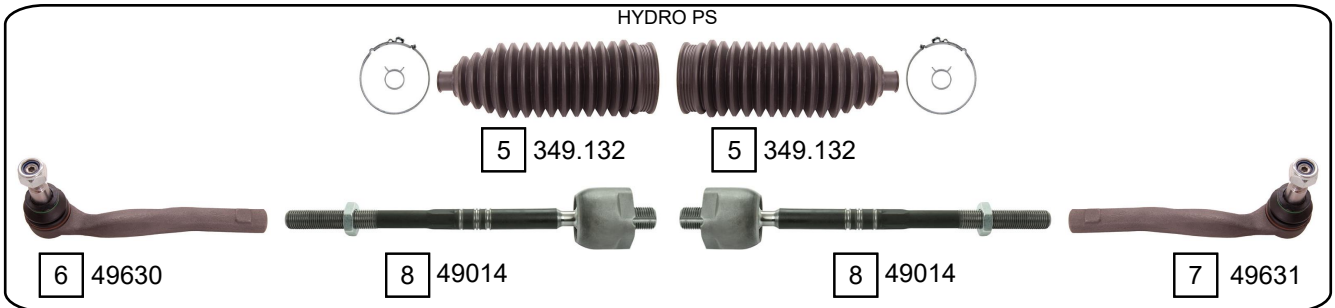
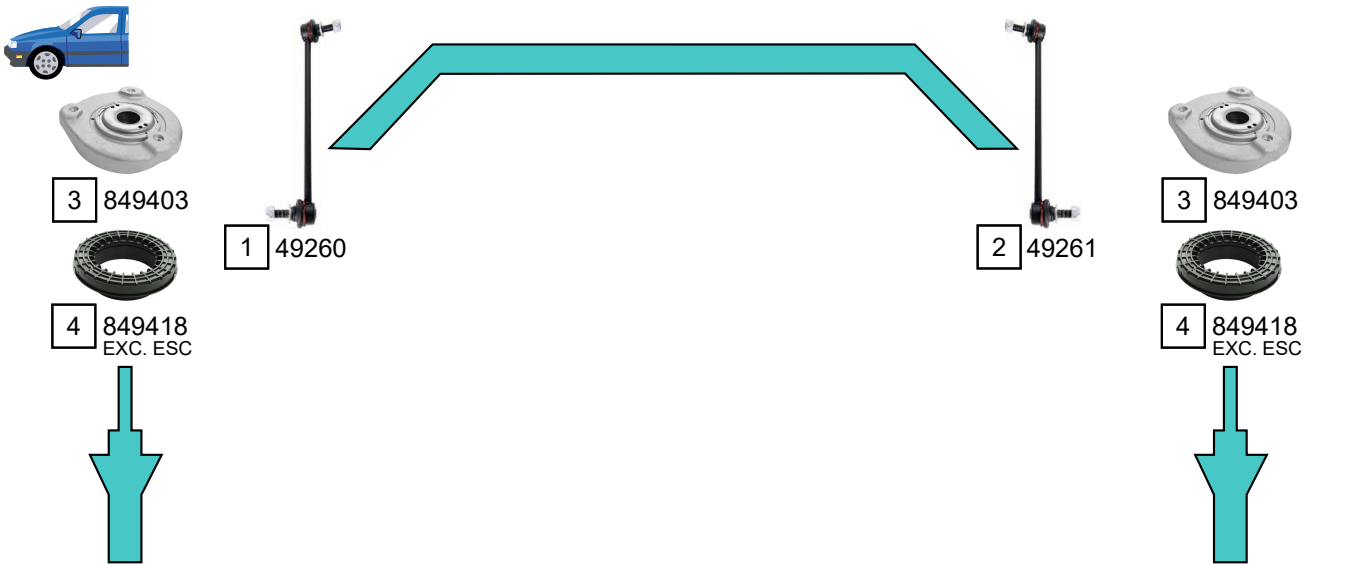
10/2018 ->
11/2019 ->



Ref.	Sidem Ref.	Description	OE-number	Measures	Ref.	Sidem Ref.	Description	OE-number	Measures
1	490174	track rod	167 350 29 00	L:390	6	49184	ball joint	167 330 63 00	c:28.4
2	490175	track rod	167 350 30 00	L:390	7	849743	silentblock for TCA	167 352 17 00	di:14.2 do:50.3
3	490176	track rod	167 350 37 00	L:370	8	490062	stabiliser link left	167 320 31 04	L:124
4	490177	track rod	167 350 38 00	L:370	9	490063	stabiliser link right	167 320 32 04	L:124
5	490070	track rod	167 350 25 00	L:540					

GLK (X204)

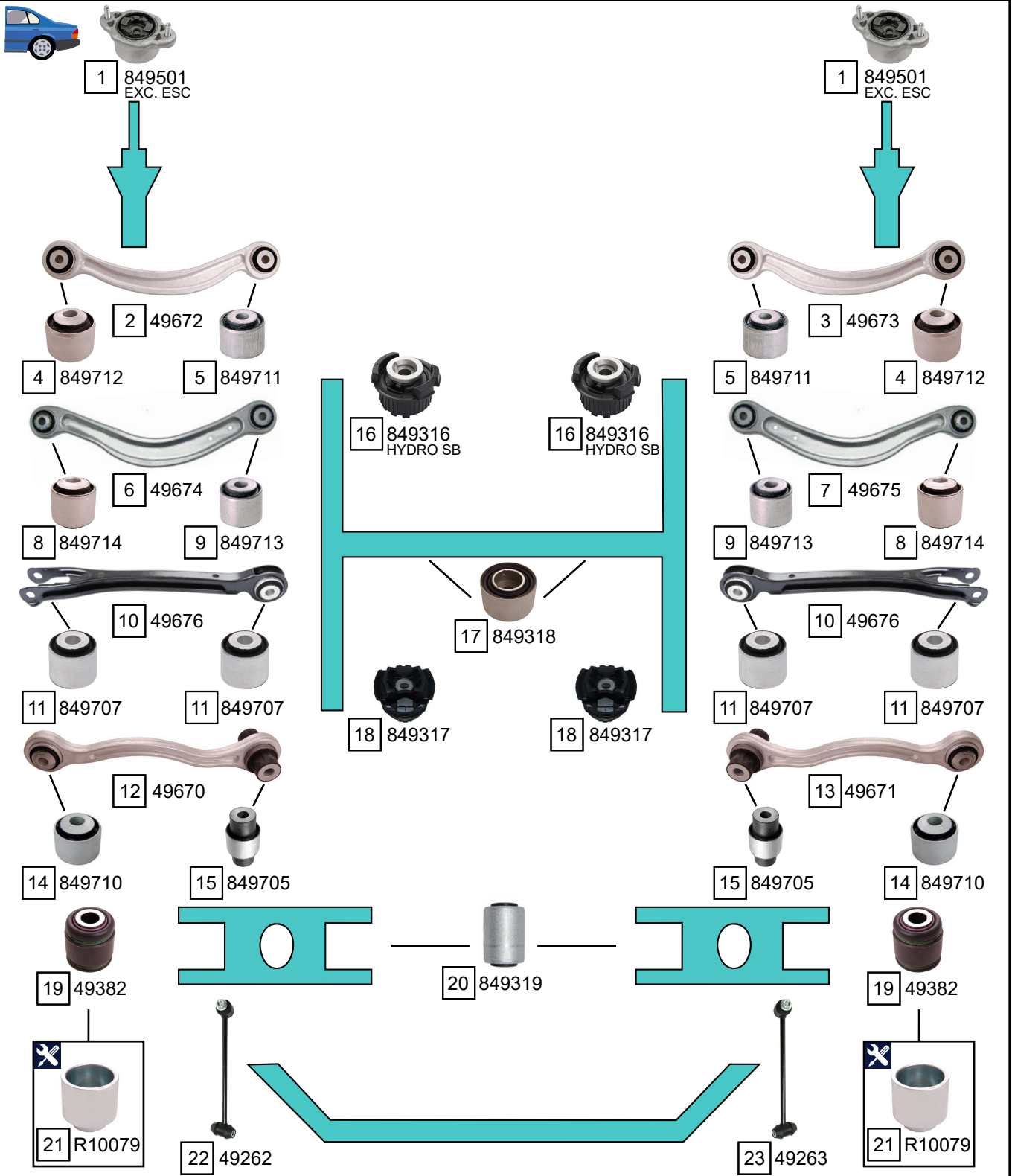
06/2008 - 06/2015



Ref.	Sidem Ref.	Description	OE-number	Measures	Ref.	Sidem Ref.	Description	OE-number	Measures
1	49260	stabiliser link left	204 320 07 89	L:290	10	49056	TCA left wbj	204 330 81 11 S1	c:17.3
2	49261	stabiliser link right	204 320 22 89	L:290	11	49057	TCA right wbj	204 330 82 11 S1	c:17.3
3	849403	strut mount	204 323 01 20	di:15 L:64	12	849626	silentblock for TCA	203 333 10 14	di:17.4 do:70.2 (*)
4	849418	bearing	204 981 00 25	di:82 do:126.5 L:36.4	13	49058	TCA left wbj	204 330 83 11	c:17.3
5	349.132	steering rack gaiter	204 463 03 96	D:56 d:13 L:190	14	49059	TCA right wbj	204 330 84 11	c:17.3
6	49630	tie rod end left	204 330 19 03	c:16.6 th:FM14x1.5R	15	849627	silentblock for TCA	204 333 11 14	di:14.8 do:70.2 (*)
7	49631	tie rod end right	204 330 20 03	c:16.6 th:FM14x1.5R	16	49677	TCA	204 330 80 11	c:17.3
8	49014	axial joint	204 338 05 15	th:MM16x1.5R L:243	17	849639	silentblock for TCA	Part of	di:14.8 do:55.2 (*)
9	49016	axial joint	212 330 28 03	th:MM16X1.5R L:237					

GLK (X204)

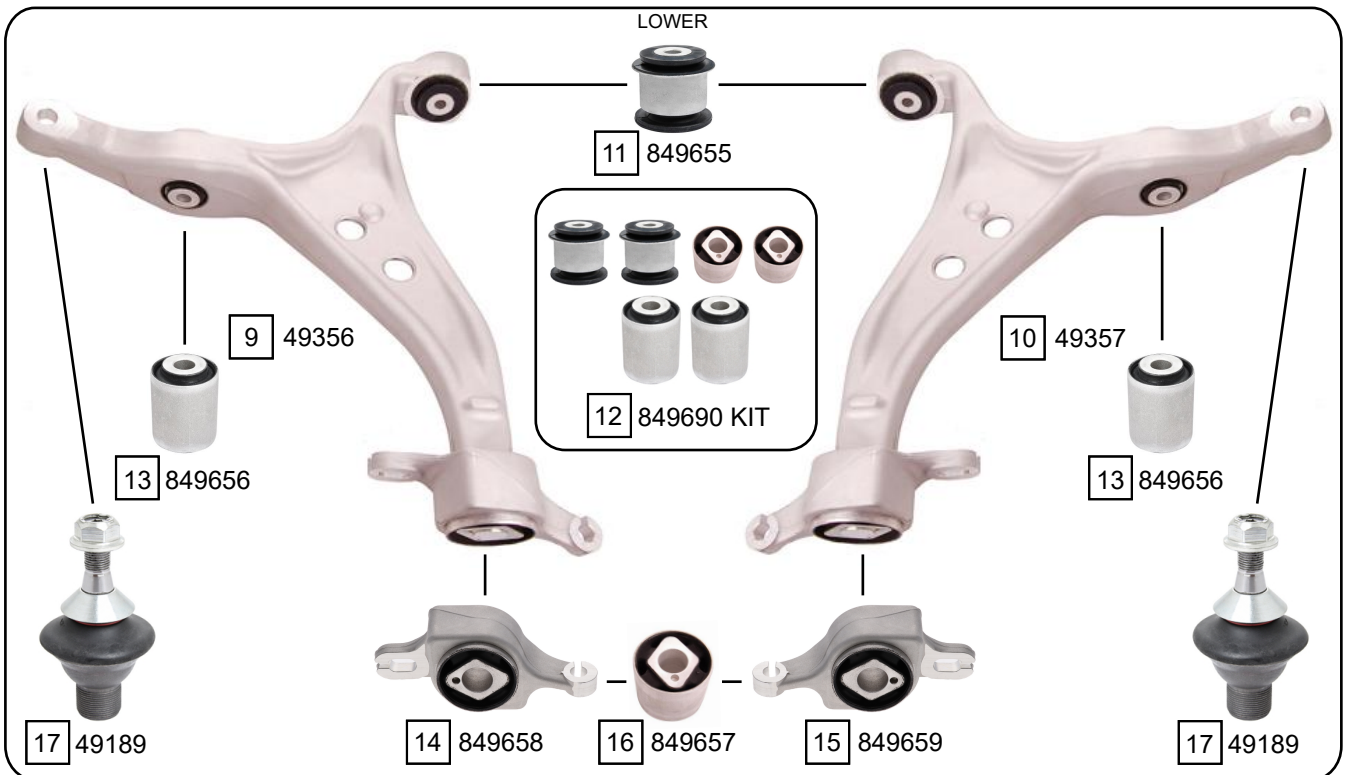
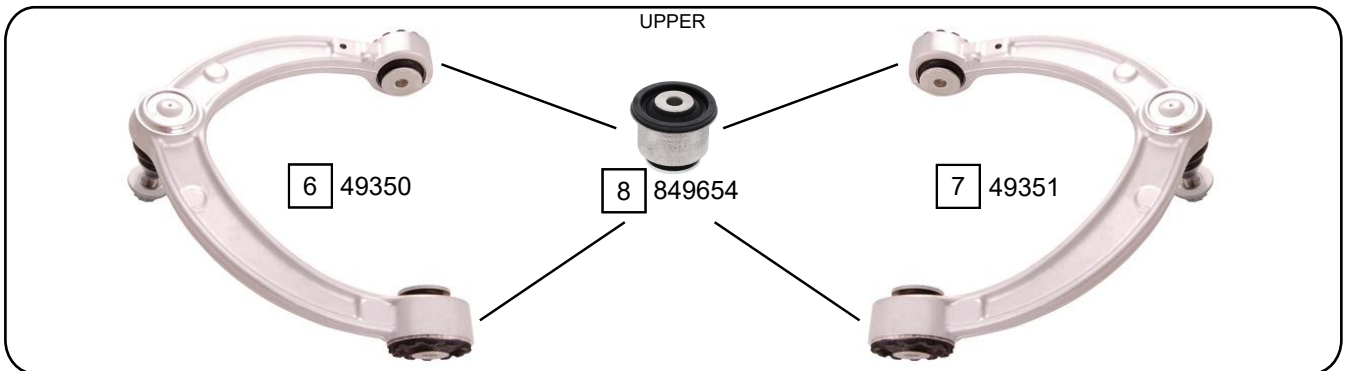
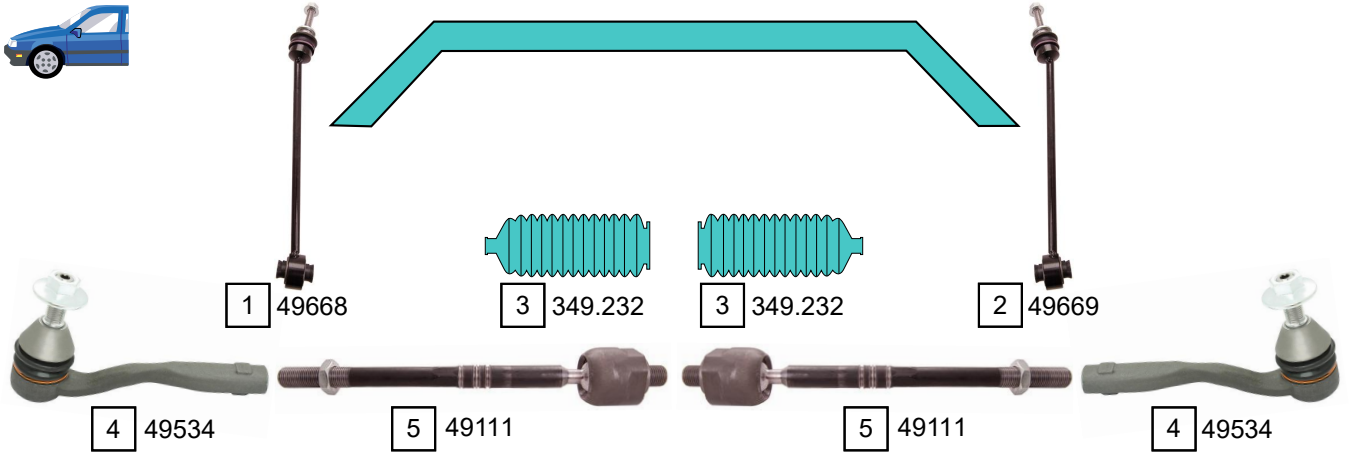
06/2008 - 06/2015



Ref.	Sidem Ref.	Description	OE-number	Measures	Ref.	Sidem Ref.	Description	OE-number	Measures
1	849501	strut mount	204 320 09 73	di:10.2 do:70.2 L:45	13	49671	TCA right	205 350 66 03	L:265
2	49672	TCA left	204 350 21 06	L:312.5	14	849710	silentblock for TCA	Part of	di:12.3 do:40.2 (*)
3	49673	TCA right	204 350 22 06	L:312.5	15	849705	silentblock for TCA	Part of	di:12.2 do:40.3 (*)
4	849712	silentblock for TCA	Part of	di:12.3 do:43.5 (*)	16	849316	mounting axle body	204 351 08 42	di:17.8 do:77
5	849711	silentblock for TCA	Part of	di:12.3 do:43.5 (*)	17	849318	mounting axle body	204 351 04 42	di:15.2 do:74.2
6	49674	TCA left	205 350 61 03	L:342.5	18	849317	mounting axle body	204 350 02 75	di:13.3 do:90
7	49675	TCA right	205 350 62 03	L:342.5	19	49382	ball joint rear	204 352 00 27	di:14.2 do:40
8	849714	silentblock for TCA	Part of	di:12.2 do:39.5 (*)	20	849319	silentblock for TCA	222 352 08 65	di:12.2 do:51.4 (*)
9	849713	silentblock for TCA	Part of	di:12.3 do:39.5 (*)	21	R10079	mounting tool ring ø46 ø38	SEE PAGE III	di:38 do:46
10	49676	TCA	205 350 63 03	L:331.5	22	49262	stabiliser link left	204 320 05 89	L:232
11	849707	silentblock for TCA	230 352 15 65	di:12.1 do:38.5 (*)	23	49263	stabiliser link right	204 320 04 89	L:232
12	49670	TCA left	205 350 65 03	L:265					

GLS (X166)

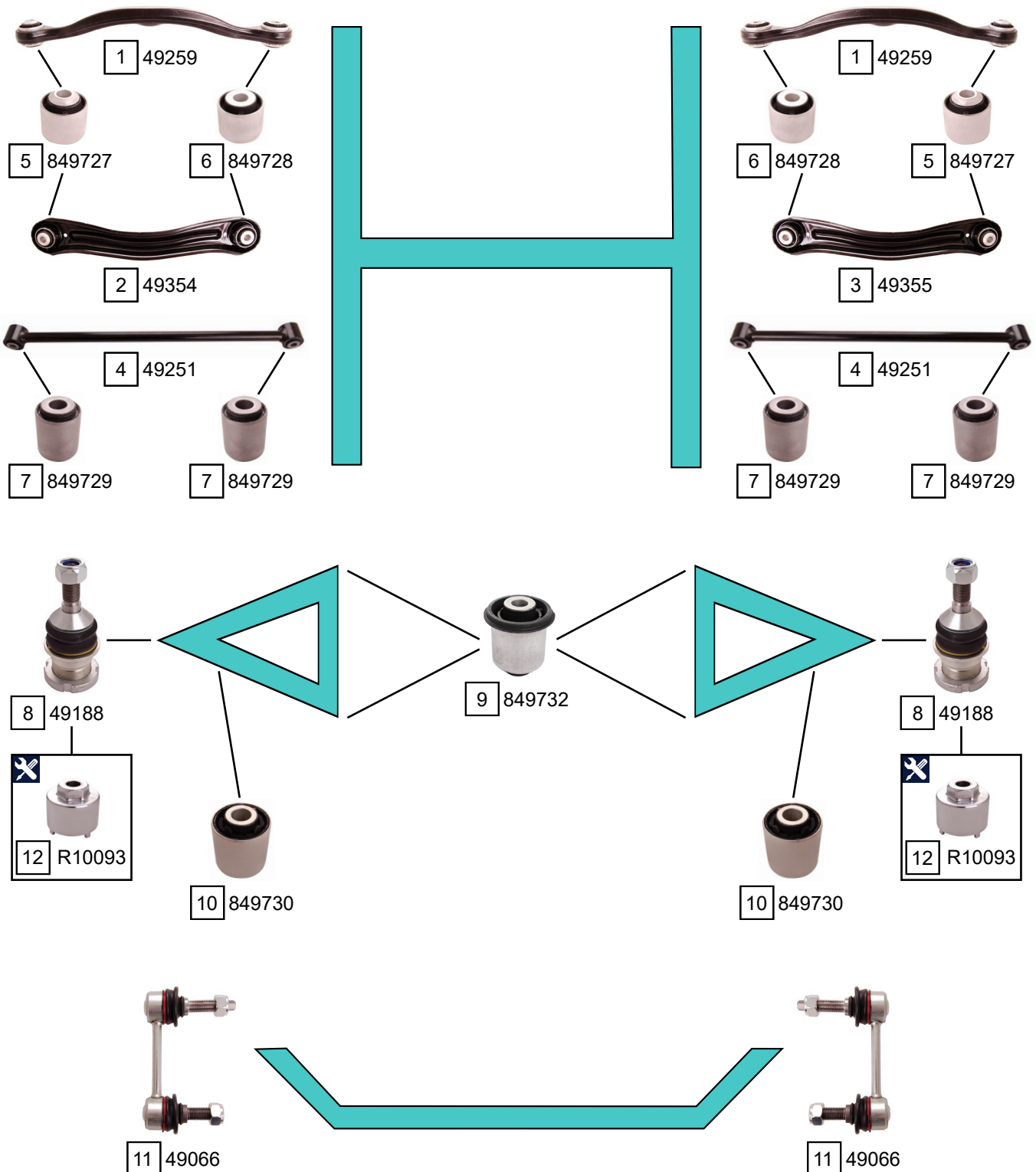
11/2015 - 04/2019



Ref.	Sidem Ref.	Description	OE-number	Measures	Ref.	Sidem Ref.	Description	OE-number	Measures
1	49668	stabiliser link left	166 320 07 89	L:320	10	49357	TCA right wobj	166 330 02 07	c:20
2	49669	stabiliser link right	166 320 08 89	L:320	11	849655	silentblock for TCA	166 333 04 14	di:14 do:57.3 (*)
3	349.232	steering rack gaiter	166 460 01 96	D:62 d:16 L:207	12	849690 KIT	silentblock kit	166 333 04 14 S1	
4	49534	tie rod end	166 330 04 03	c:21.5 th:FM16X1.5R	13	849656	silentblock for TCA	166 333 02 14	di:16.1 do:52.2 (*)
5	49111	axial joint	166 338 03 15	th:MM14x1.5R L:269	14	849658	silentblock for TCA left	166 330 01 43	do:70.1 (*)
6	49350	TCA left wbj	166 330 17 07	c:17.5	15	849659	silentblock for TCA right	166 330 02 43	do:70.1 (*)
7	49351	TCA right wbj	166 330 18 07	c:17.5	16	849657	silentblock for TCA	Part of	do:70.1 (*)
8	849654	silentblock for TCA	166 333 00 00	di:10.2 do:46.3 (*)	17	49189	ball joint	166 330 02 35	c:16.2
9	49356	TCA left wobj	166 330 01 07	c:20					

GLS (X166)

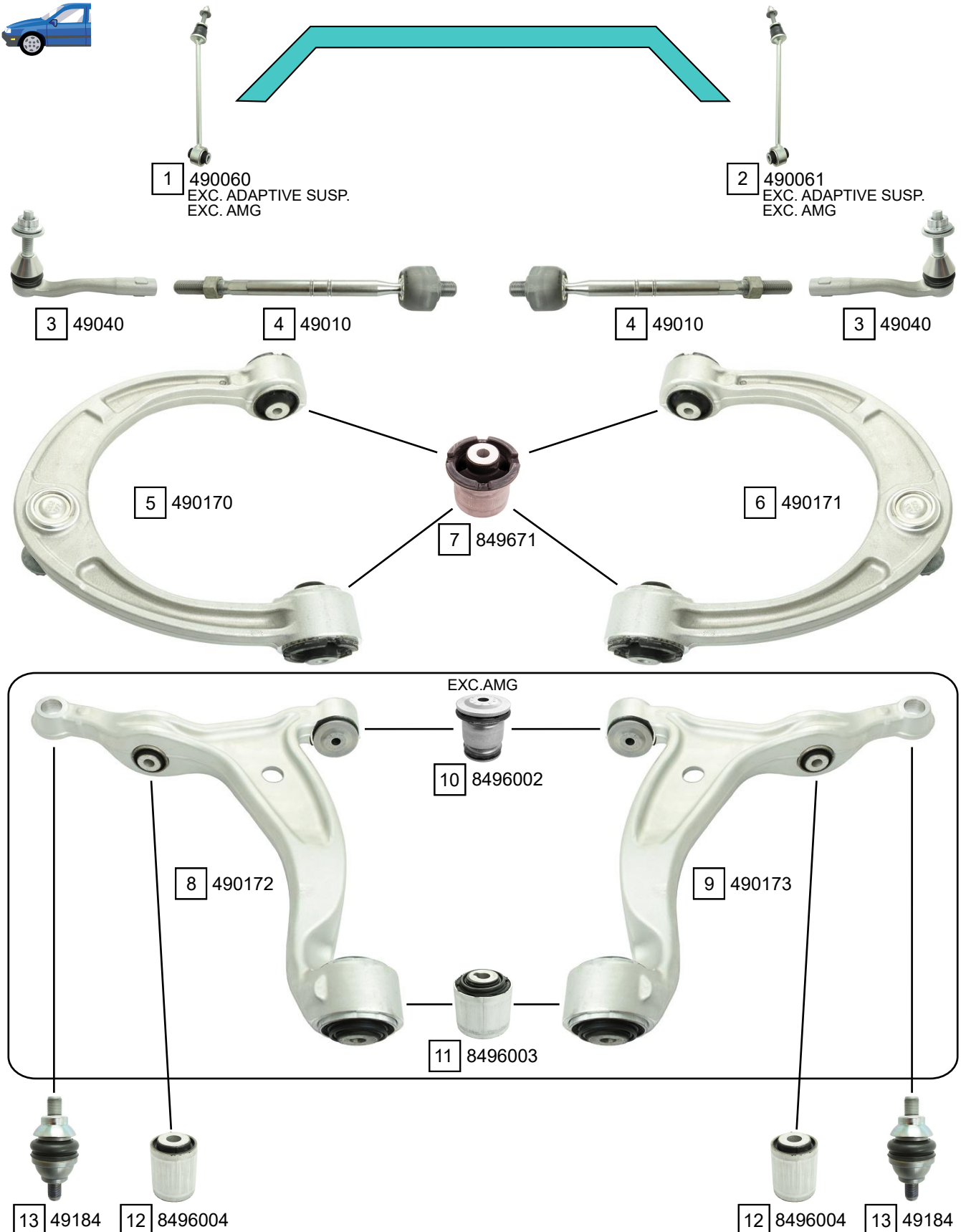
11/2015 - 04/2019



Ref.	Sidem Ref.	Description	OE-number	Measures	Ref.	Sidem Ref.	Description	OE-number	Measures
1	49259	track rod	166 350 03 06	L:390	7	849729	silentblock for TCA	Part of	di:12.1 do:31.6 (*)
2	49354	track rod	166 350 01 06	L:372	8	49188	ball joint	164 352 03 27	c:17.8
3	49355	track rod	166 350 02 06	L:372	9	849732	silentblock for TCA	Part of	di:14.2 do:50.2 (*)
4	49251	track rod	166 350 00 53	L:522	10	849730	silentblock for TCA	166 326 02 81	di:16.2 do:50 (*)
5	849727	silentblock for TCA	Part of	di:12 do:39.6 (*)	11	49066	stabiliser link rear axle	164 320 12 32	L:117
6	849728	silentblock for TCA	Part of	di:12 do:39.6 (*)	12	R10093	mounting tool	SEE PAGE II	di:53.3

GLS (X167)

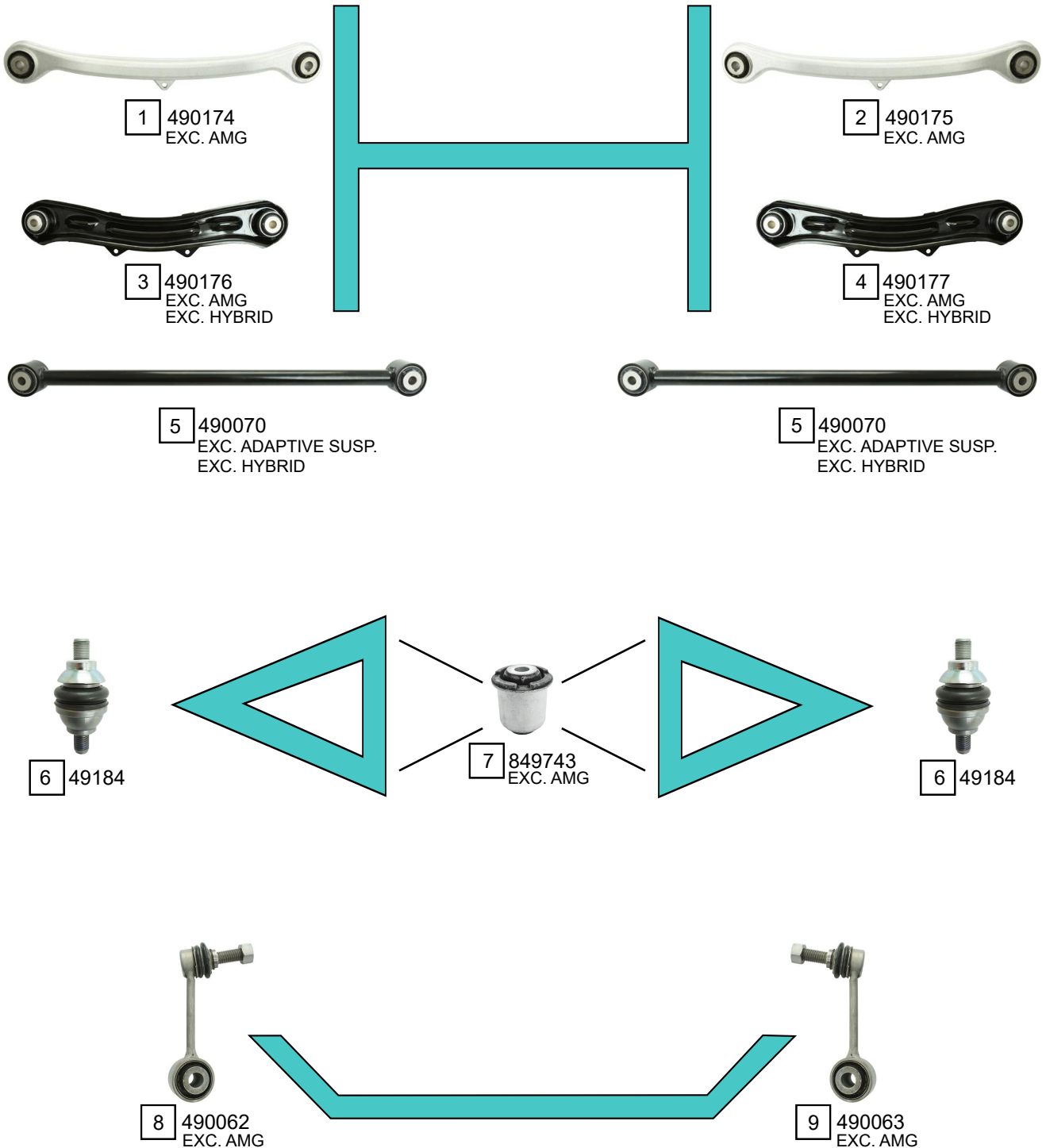
04/2019 ->



Ref.	Sidem Ref.	Description	OE-number	Measures	Ref.	Sidem Ref.	Description	OE-number	Measures
1	490060	stabiliser link left	167 320 01 89	L:300	8	490172	TCA left wobj	167 330 07 00	
2	490061	stabiliser link right	167 320 02 89	L:300	9	490173	TCA right wobj	167 330 08 00	
3	49040	tie rod end	167 330 71 00	c:21.5 th:FM16X1.5R	10	8496002	silentblock for TCA	167 333 12 00	di:14.2 do:57.3
4	49010	axial joint	167 338 00 00	th:MM16X1.5R L:282	11	8496003	silentblock for TCA	167 333 16 00	di:15.8 do:75.4
5	490170	TCA left wbj	167 330 13 00		12	8496004	silentblock for TCA	167 333 15 00	di:16.2 do:52.2
6	490171	TCA right wbj	167 330 14 00		13	49184	ball joint	167 330 63 00	c:28.4
7	849671	silentblock for TCA	Part of	di:10 do:51.2 (*)					

GLS (X167)

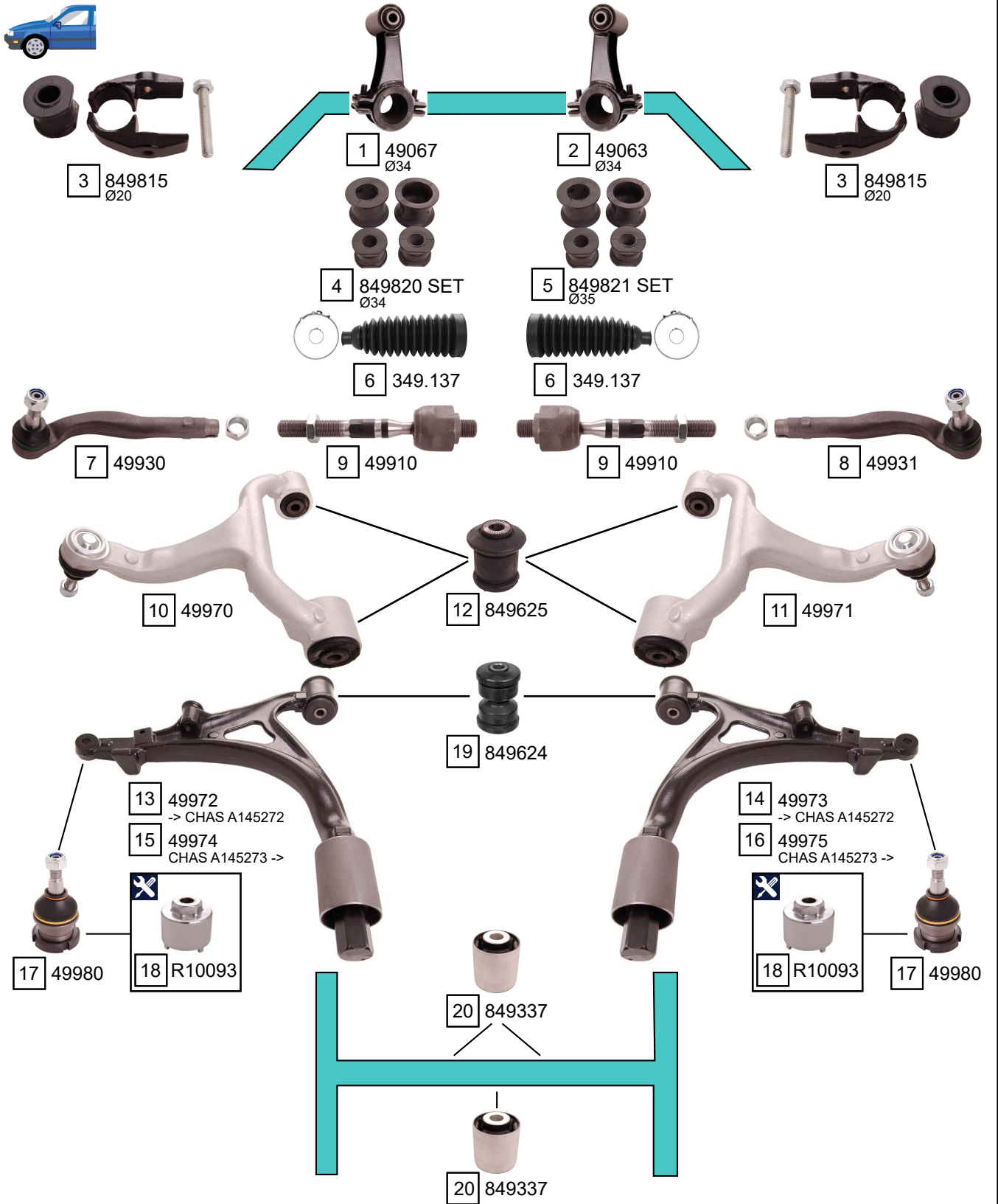
04/2019 ->



Ref.	Sidem Ref.	Description	OE-number	Measures	Ref.	Sidem Ref.	Description	OE-number	Measures
1	490174	track rod	167 350 29 00	L:390	6	49184	ball joint	167 330 63 00	c:28.4
2	490175	track rod	167 350 30 00	L:390	7	849743	silentblock for TCA	167 352 17 00	di:14.2 do:50.3
3	490176	track rod	167 350 37 00	L:370	8	490062	stabiliser link left	167 320 31 04	L:124
4	490177	track rod	167 350 38 00	L:370	9	490063	stabiliser link right	167 320 32 04	L:124
5	490070	track rod	167 350 25 00	L:540					

ML (W163)

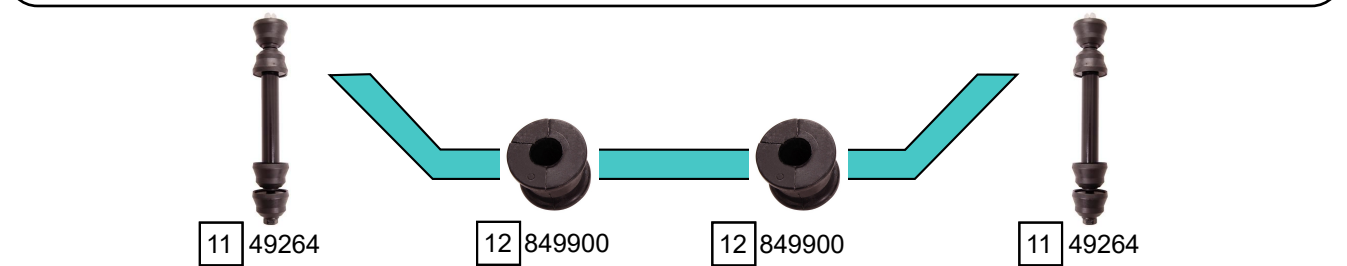
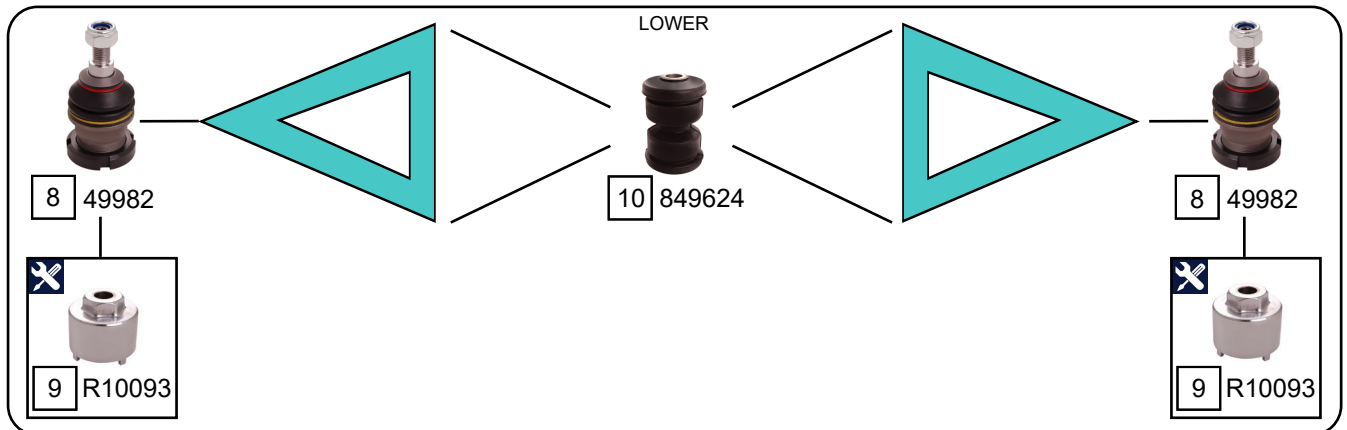
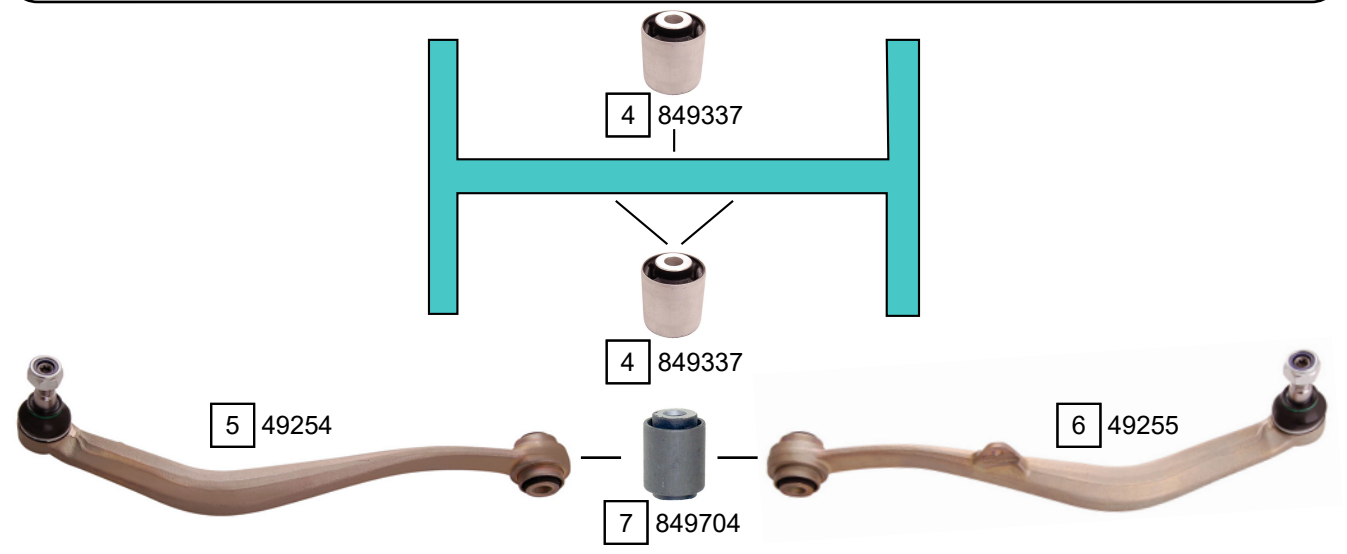
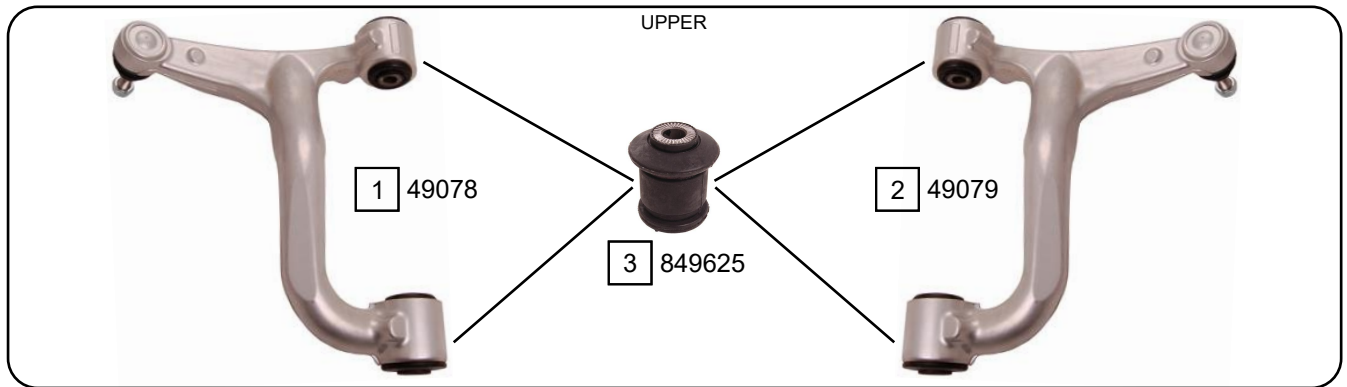
02/1998 - 06/2005



Ref.	Sidem Ref.	Description	OE-number	Measures	Ref.	Sidem Ref.	Description	OE-number	Measures
1	49067	stabiliser link left	163 320 00 90	L:129	11	49971	TCA right wbj	163 333 01 01	c:13.4
2	49063	stabiliser link right	163 320 01 90	L:129	12	849625	silentblock for TCA	Part of	di:12.2 do:37.9 (*)
3	849815	stabiliser mounting kit	163 320 03 73	di:19.8	13	49972	TCA left wobj	163 330 04 07	c:20.2
4	849820 SET	stabiliser mounting set	163 320 00 44	di:34	14	49973	TCA right wobj	163 330 05 07	c:20.2
5	849821 SET	stabiliser mounting set	163 320 01 44	di:35	15	49974	TCA left wobj	163 330 08 07	c:20.2
6	349.137	steering rack gaiter	163 460 01 96	D:64.5 d:16.5 L:187	16	49975	TCA right wobj	163 330 09 07	c:20.2
7	49930	tie rod end left	163 330 01 03	c:15 th:FM16X1.5R	17	49980	ball joint	163 330 01 35	c:16.1
8	49931	tie rod end right	163 330 04 03	c:15 th:FM16X1.5R	18	R10093	mounting tool	SEE PAGE II	di:53.3
9	49910	axial joint	163 338 02 15	th:MM16X1.5R L:160	19	849624	silentblock for TCA	163 330 00 75	di:14 do:50 (*)
10	49970	TCA left wbj	163 333 00 01	c:13.4	20	849337	mounting axle body	Part of	di:14.1 do:49.6

ML (W163)

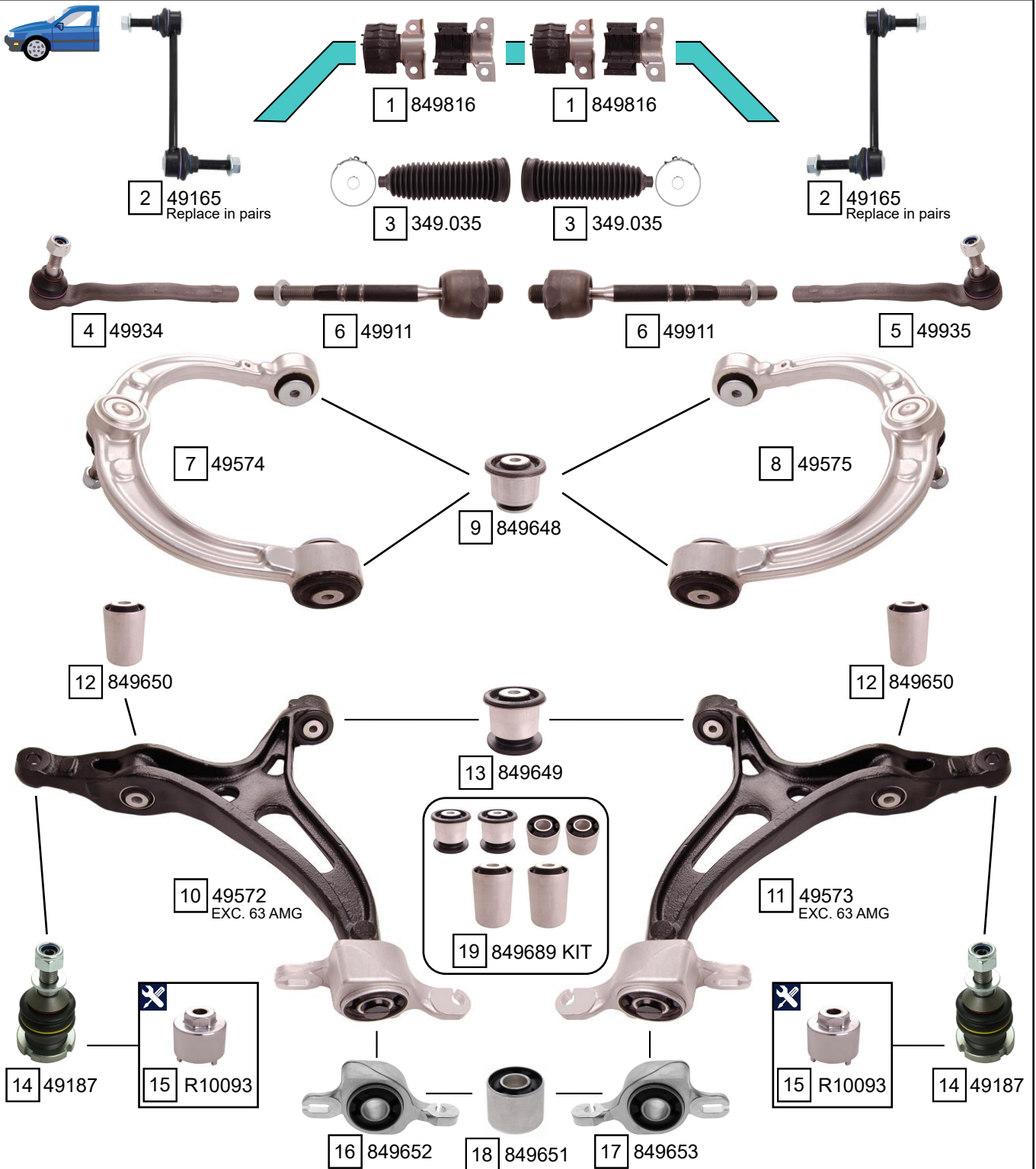
02/1998 - 06/2005



Ref.	Sidem Ref.	Description	OE-number	Measures	Ref.	Sidem Ref.	Description	OE-number	Measures
1	49078	TCA left wbj	163 352 04 01	c:13.6	7	849704	silentblock for TCA	201 352 88 65	di:12.2 do:31.5 (*)
2	49079	TCA right wbj	163 352 05 01	c:13.6	8	49982	ball joint	163 350 01 13	c:19.9
3	849625	silentblock for TCA	Part of	di:12.2 do:37.9 (*)	9	R10093	mounting tool	SEE PAGE II	di:53.3
4	849337	mounting axle body	Part of	di:14.1 do:49.6	10	849624	silentblock for TCA	163 330 00 75	di:14 do:50 (*)
5	49254	track rod	163 350 05 53	c:15 L:385	11	49264	stabiliser link rear axle	163 320 00 32	L:222
6	49255	track rod	163 350 06 53	c:15 L:385	12	849900	stabiliser mounting	Part of	di:18.8

ML (W164)

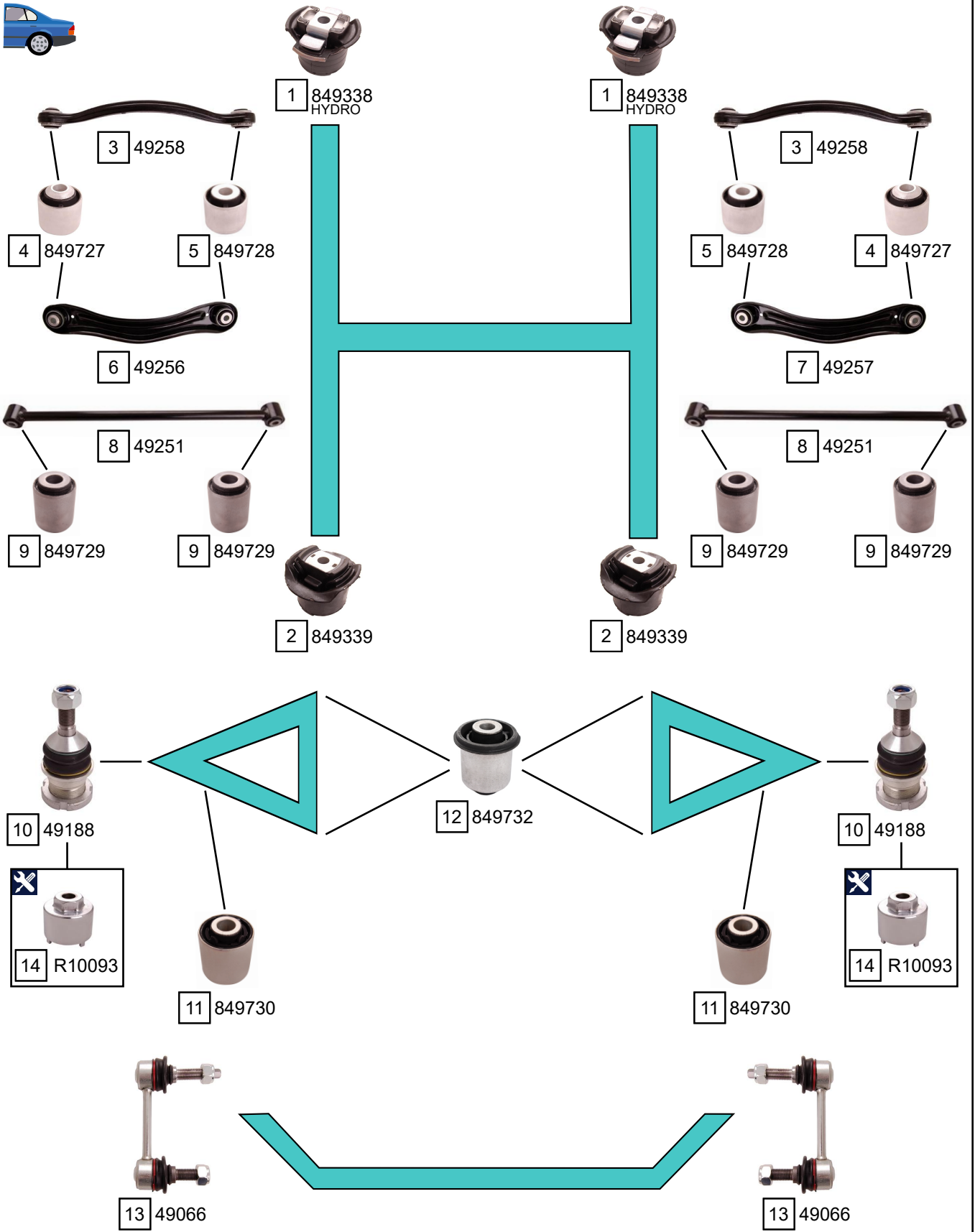
07/2005 - 06/2012



Ref.	Sidem Ref.	Description	OE-number	Measures	Ref.	Sidem Ref.	Description	OE-number	Measures
1	849816	stabiliser mounting	164 323 11 85 S1	di:29.5	11	49573	TCA right wobj	164 330 35 07	c:20
2	49165	stabiliser link	164 320 21 32	L:205	12	849650	silentblock for TCA	164 333 03 14	di:16.1 do:52.2 (*)
3	349.035	steering rack gaiter	164 460 00 96	D:67 d:16 L:218	13	849649	silentblock for TCA	164 333 04 14	di:14.1 do:57.5 (*)
4	49934	tie rod end left	164 330 11 03	c:15 th:FM14X1.5R	14	49187	ball joint	164 330 09 35	c:19.3
5	49935	tie rod end right	164 330 12 03	c:15 th:FM14X1.5R	15	R10093	mounting tool	SEE PAGE II	di:53.3
6	49911	axial joint	164 460 00 05	th:MM16X1.5R L:208.5	16	849652	silentblock for TCA left	Part of	di:29.7 do:70 (*)
7	49574	TCA left wbj	251 330 07 07	c:14.9	17	849653	silentblock for TCA right	Part of	di:29.7 do:70 (*)
8	49575	TCA right wbj	251 330 08 07	c:14.9	18	849651	silentblock for TCA	Part of	di:29.7 do:70 (*)
9	849648	silentblock for TCA	251 333 01 14	di:10.1 do:46.2 (*)	19	849689 KIT	silentblock kit	164 333 04 14 S1	
10	49572	TCA left wobj	164 330 34 07	c:20					

ML (W164)

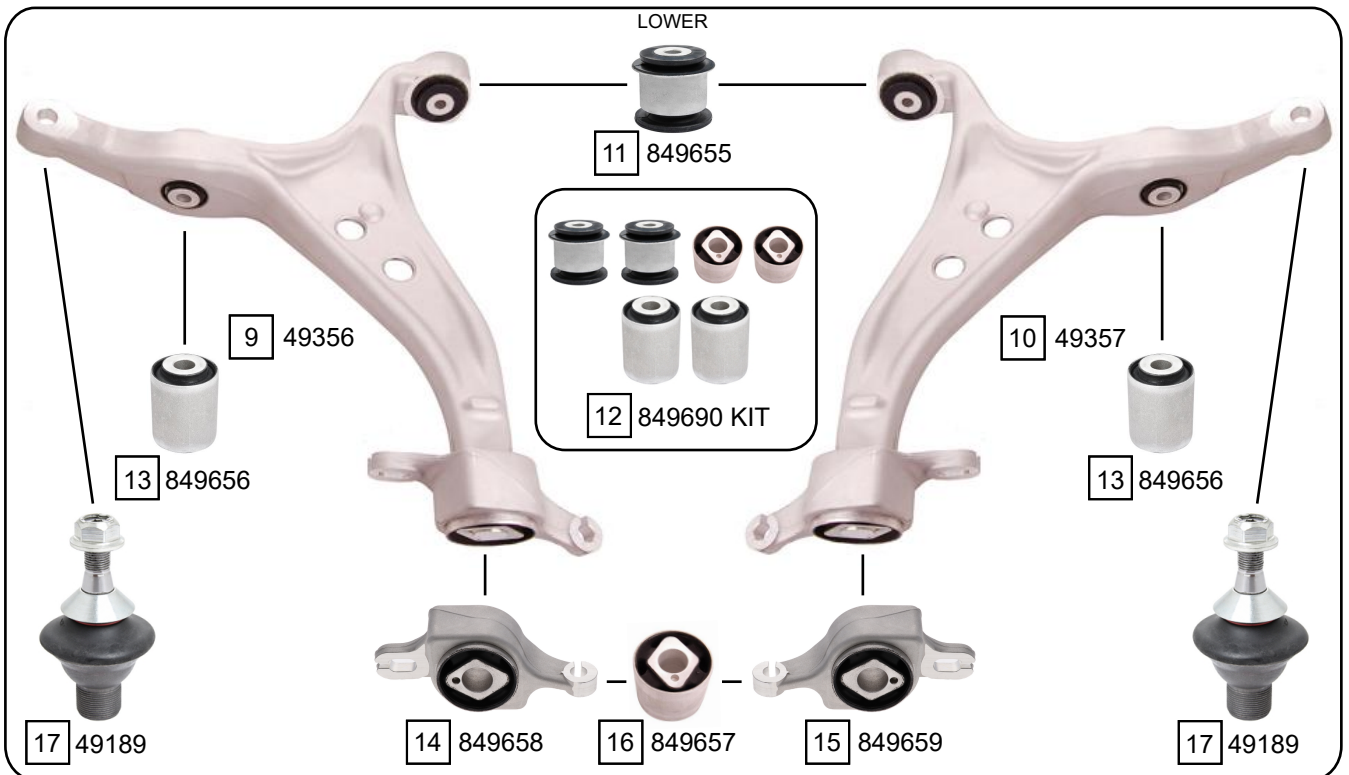
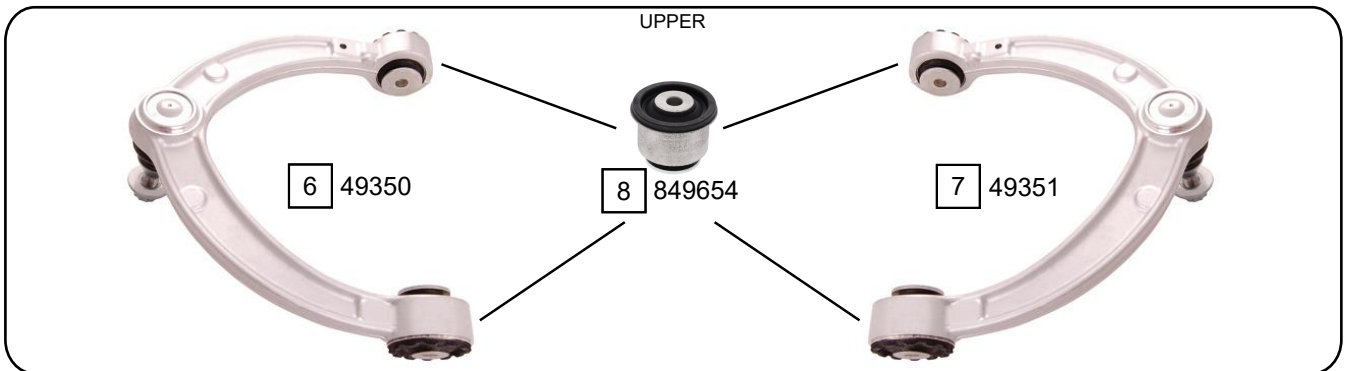
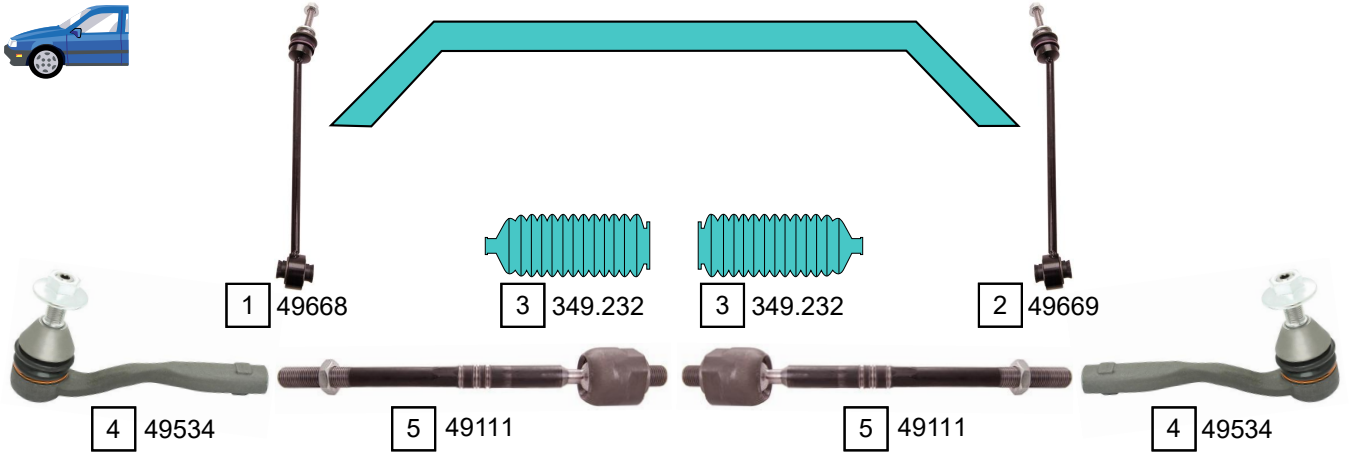
07/2005 - 06/2012



Ref.	Sidem Ref.	Description	OE-number	Measures	Ref.	Sidem Ref.	Description	OE-number	Measures
1	849338	mounting axle body	166 351 13 00	di:20.4 do:100	8	49251	track rod	166 350 00 53	L:522
2	849339	mounting axle body	166 350 00 75	di:19 do:102	9	849729	silentblock for TCA	Part of	di:12.1 do:31.6 (*)
3	49258	track rod	164 350 14 06	L:384	10	49188	ball joint	164 352 03 27	c:17.8
4	849727	silentblock for TCA	Part of	di:12 do:39.6 (*)	11	849730	silentblock for TCA	166 326 02 81	di:16.2 do:50 (*)
5	849728	silentblock for TCA	Part of	di:12 do:39.6 (*)	12	849732	silentblock for TCA	Part of	di:14.2 do:50.2 (*)
6	49256	track rod	164 350 13 06	L:362	13	49066	stabiliser link rear axle	164 320 12 32	L:117
7	49257	track rod	164 350 16 06	L:362	14	R10093	mounting tool	SEE PAGE II	di:53.3

ML (W166)

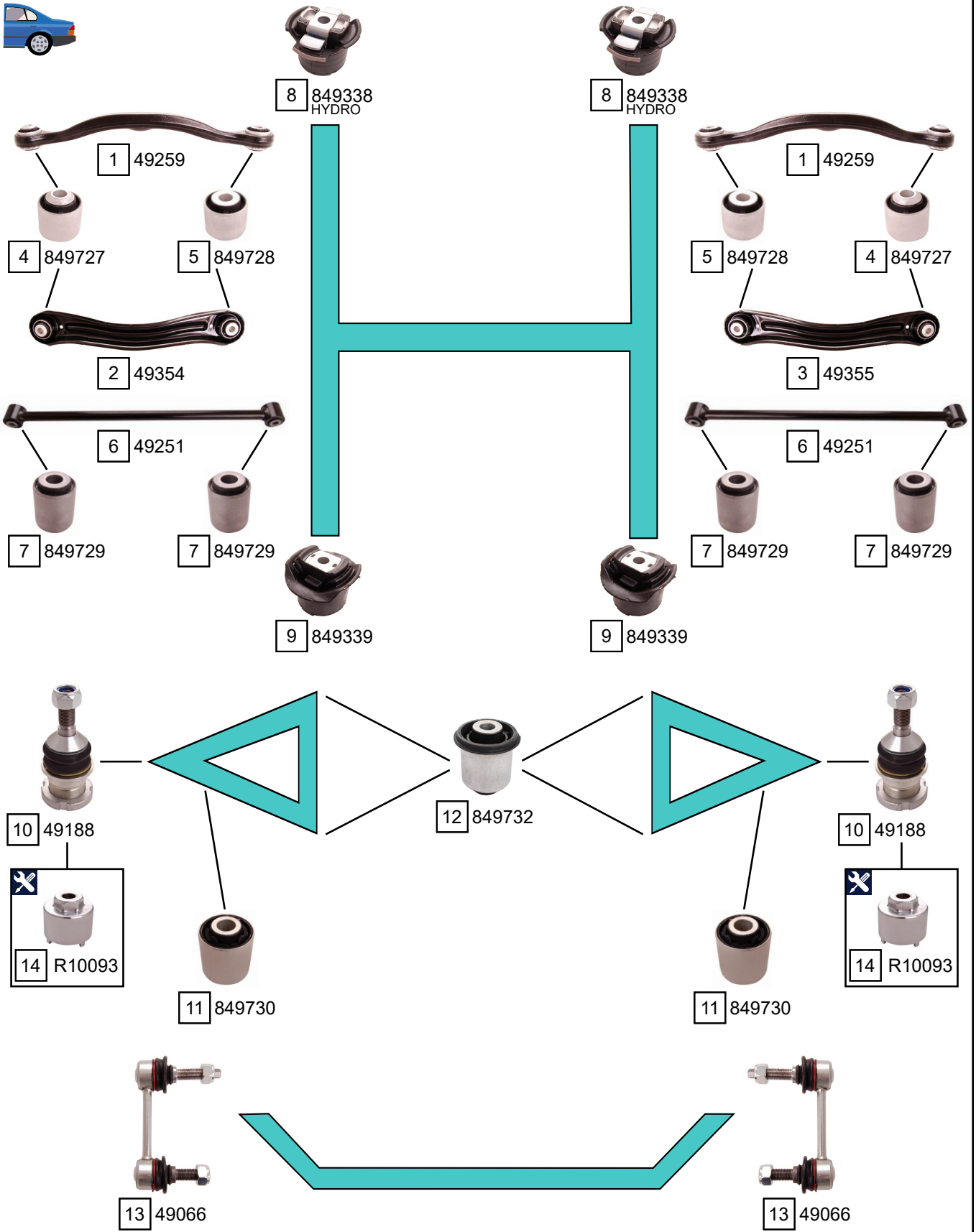
06/2011 - 03/2015



Ref.	Sidem Ref.	Description	OE-number	Measures	Ref.	Sidem Ref.	Description	OE-number	Measures
1	49668	stabiliser link left	166 320 07 89	L:320	10	49357	TCA right wobj	166 330 02 07	c:20
2	49669	stabiliser link right	166 320 08 89	L:320	11	849655	silentblock for TCA	166 333 04 14	di:14 do:57.3 (*)
3	349.232	steering rack gaiter	166 460 01 96	D:62 d:16 L:207	12	849690 KIT	silentblock kit	166 333 04 14 S1	
4	49534	tie rod end	166 330 04 03	c:21.5 th:FM16X1.5R	13	849656	silentblock for TCA	166 333 02 14	di:16.1 do:52.2 (*)
5	49111	axial joint	166 338 03 15	th:MM14x1.5R L:269	14	849658	silentblock for TCA left	166 330 01 43	do:70.1 (*)
6	49350	TCA left wbj	166 330 17 07	c:17.5	15	849659	silentblock for TCA right	166 330 02 43	do:70.1 (*)
7	49351	TCA right wbj	166 330 18 07	c:17.5	16	849657	silentblock for TCA	Part of	do:70.1 (*)
8	849654	silentblock for TCA	166 333 00 00	di:10.2 do:46.3 (*)	17	49189	ball joint	166 330 02 35	c:16.2
9	49356	TCA left wobj	166 330 01 07	c:20					

ML (W166)

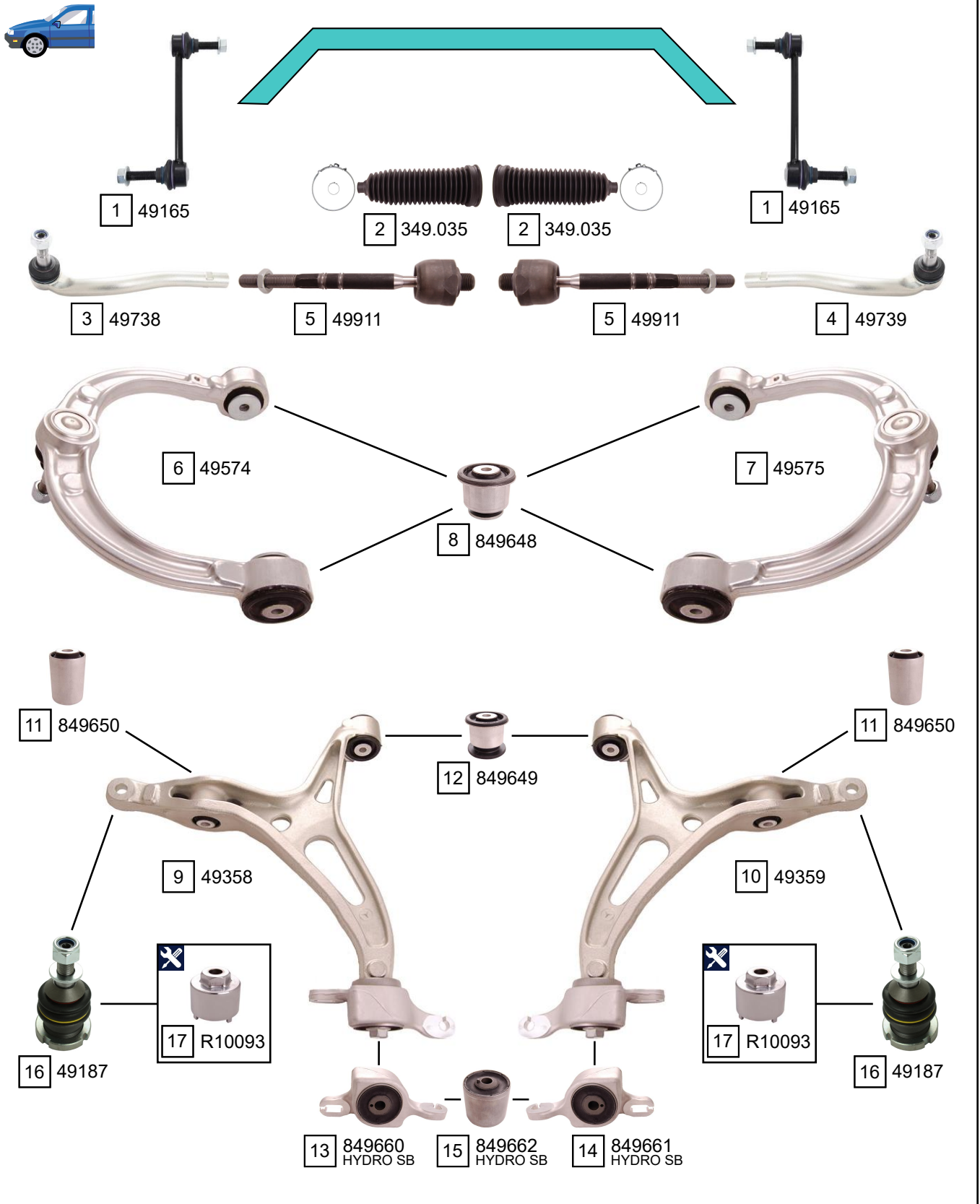
06/2011 - 03/2015



Ref.	Sidem Ref.	Description	OE-number	Measures	Ref.	Sidem Ref.	Description	OE-number	Measures
1	49259	track rod	166 350 03 06	L:390	8	849338	mounting axle body	166 351 13 00	di:20.4 do:100
2	49354	track rod	166 350 01 06	L:372	9	849339	mounting axle body	166 350 00 75	di:19 do:102
3	49355	track rod	166 350 02 06	L:372	10	49188	ball joint	164 352 03 27	c:17.8
4	849727	silentblock for TCA	Part of	di:12 do:39.6 (*)	11	849730	silentblock for TCA	166 326 02 81	di:16.2 do:50 (*)
5	849728	silentblock for TCA	Part of	di:12 do:39.6 (*)	12	849732	silentblock for TCA	Part of	di:14.2 do:50.2 (*)
6	49251	track rod	166 350 00 53	L:522	13	49066	stabiliser link rear axle	164 320 12 32	L:117
7	849729	silentblock for TCA	Part of	di:12.1 do:31.6 (*)	14	R10093	mounting tool	SEE PAGE II	di:53.3

R-CLASS (W251, V251)

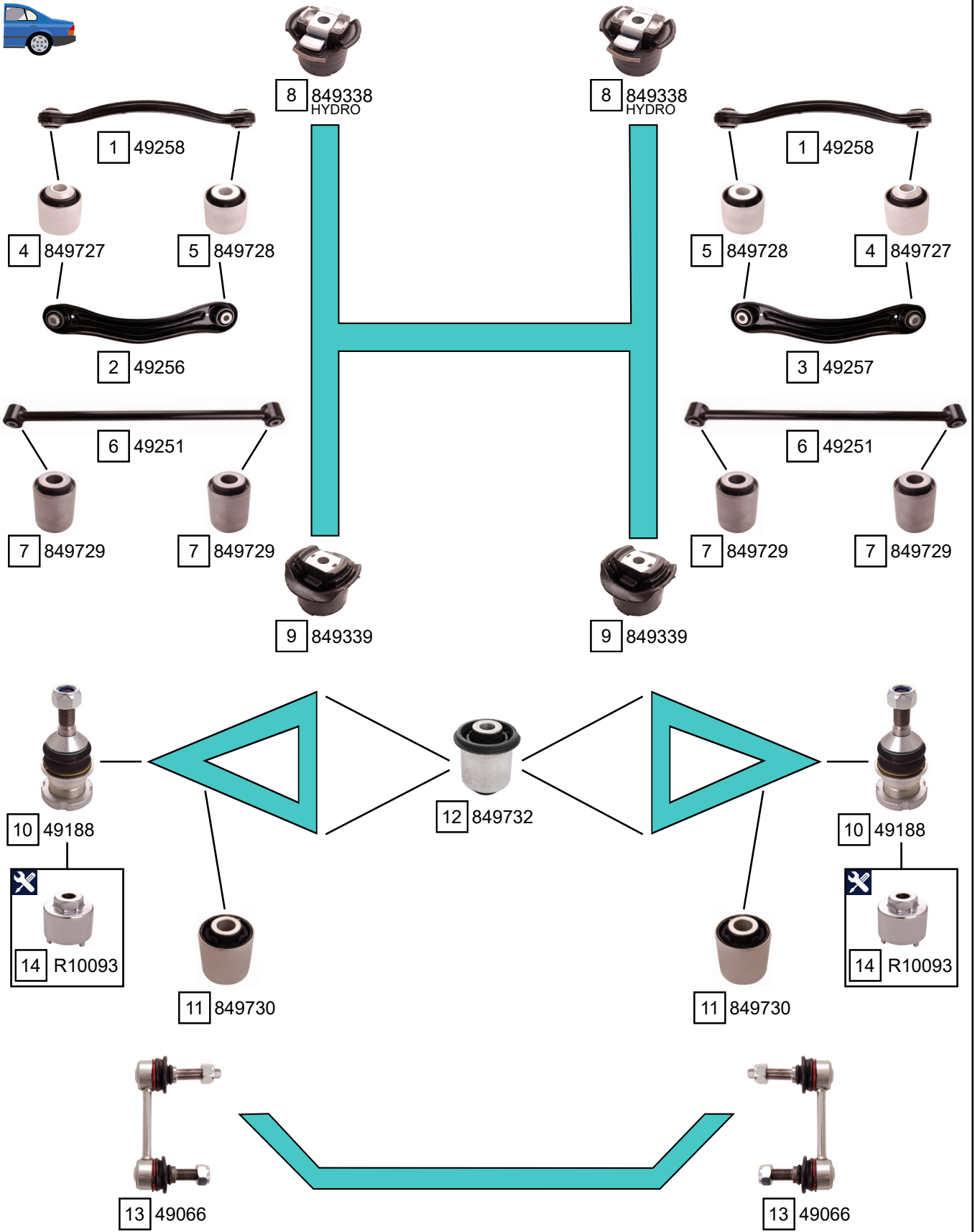
01/2006 - 12/2014



Ref.	Sidem Ref.	Description	OE-number	Measures	Ref.	Sidem Ref.	Description	OE-number	Measures
1	49165	stabiliser link	164 320 21 32	L:205	10	49359	TCA right wobj	251 330 20 07	
2	349.035	steering rack gaiter	164 460 00 96	D:67 d:16 L:218	11	849650	silentblock for TCA	164 333 03 14	di:16.1 do:52.2 (*)
3	49738	tie rod end left	251 330 07 03	c:15.2 th:FM14x1.5R	12	849649	silentblock for TCA	164 333 04 14	di:14.1 do:57.5 (*)
4	49739	tie rod end right	251 330 08 03	c:15.2 th:FM14x1.5R	13	849660	silentblock for TCA left	251 330 07 43	di:16.2 do:70.2 (*)
5	49911	axial joint	164 460 00 05	th:MM16X1.5R L:208.5	14	849661	silentblock for TCA right	251 330 08 43	di:16.2 do:70.2 (*)
6	49574	TCA left wbj	251 330 07 07	c:14.9	15	849662	silentblock for TCA	Part of	di:16.1 do:70.2 (*)
7	49575	TCA right wbj	251 330 08 07	c:14.9	16	49187	ball joint	164 330 09 35	c:19.3
8	849648	silentblock for TCA	251 333 01 14	di:10.1 do:46.2 (*)	17	R10093	mounting tool	SEE PAGE II	di:53.3
9	49358	TCA left wobj	251 330 19 07						

R-CLASS (W251, V251)

01/2006 - 12/2014



Ref.	Sidem Ref.	Description	OE-number	Measures	Ref.	Sidem Ref.	Description	OE-number	Measures
1	49258	track rod	164 350 14 06	L:384	8	849338	mounting axle body	166 351 13 00	di:20.4 do:100
2	49256	track rod	164 350 13 06	L:362	9	849339	mounting axle body	166 350 00 75	di:19 do:102
3	49257	track rod	164 350 16 06	L:362	10	49188	ball joint	164 352 03 27	c:17.8
4	849727	silentblock for TCA	Part of	di:12 do:39.6 (*)	11	849730	silentblock for TCA	166 326 02 81	di:16.2 do:50 (*)
5	849728	silentblock for TCA	Part of	di:12 do:39.6 (*)	12	849732	silentblock for TCA	Part of	di:14.2 do:50.2 (*)
6	49251	track rod	166 350 00 53	L:522	13	49066	stabiliser link rear axle	164 320 12 32	L:117
7	849729	silentblock for TCA	Part of	di:12.1 do:31.6 (*)	14	R10093	mounting tool	SEE PAGE II	di:53.3

S-CLASS (W116)

08/1972 - 07/1980



1 49134 C



2 49034



3 49035



2 49034



3 49035



4 49232

5 49282



7 849607



4 49232

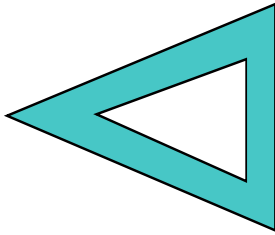
6 49283



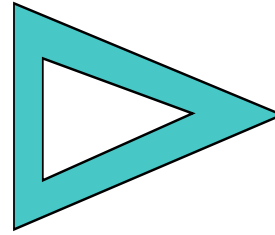
7 849607



8 49183



LOWER



8 49183



9 R10115



9 R10115



10 49091

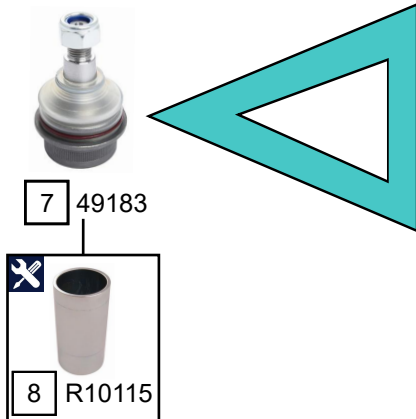
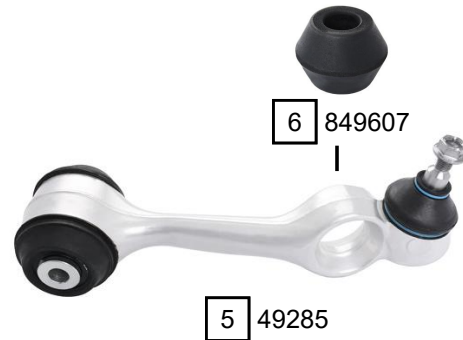
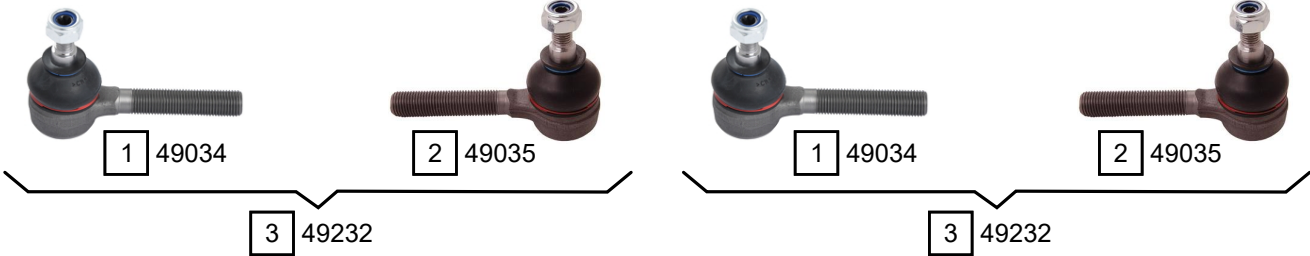


10 49091

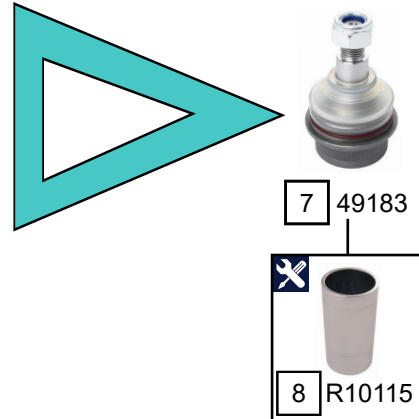
Ref.	Sidem Ref.	Description	OE-number	Measures	Ref.	Sidem Ref.	Description	OE-number	Measures
1	49134 C	tie rod center	123 460 15 05	L:480	6	49283	TCA right wbj	123 330 47 07	c:13.9
2	49034	tie rod end	000 338 52 10	c:12.7 th:MM14X1.5R	7	849607	silentblock for TCA	116 333 40 14	di:16.4 do:40.5 (*)
3	49035	tie rod end	000 338 50 10	c:12.7 th:MM14X1.5L	8	49183	ball joint lower	116 333 09 27	c:18.2 do:45.4
4	49232	tie rod	126 330 05 03	c:12.6	9	R10115	mounting tool ring long ø60	SEE PAGE III	di:52 do:60
5	49282	TCA left wbj	123 330 46 07	c:13.9	10	49091	stabiliser link	115 320 15 89	L:110

S-CLASS (W126)
S-CLASS (C126)

10/1979 - 06/1991
10/1981 - 06/1991



LOWER



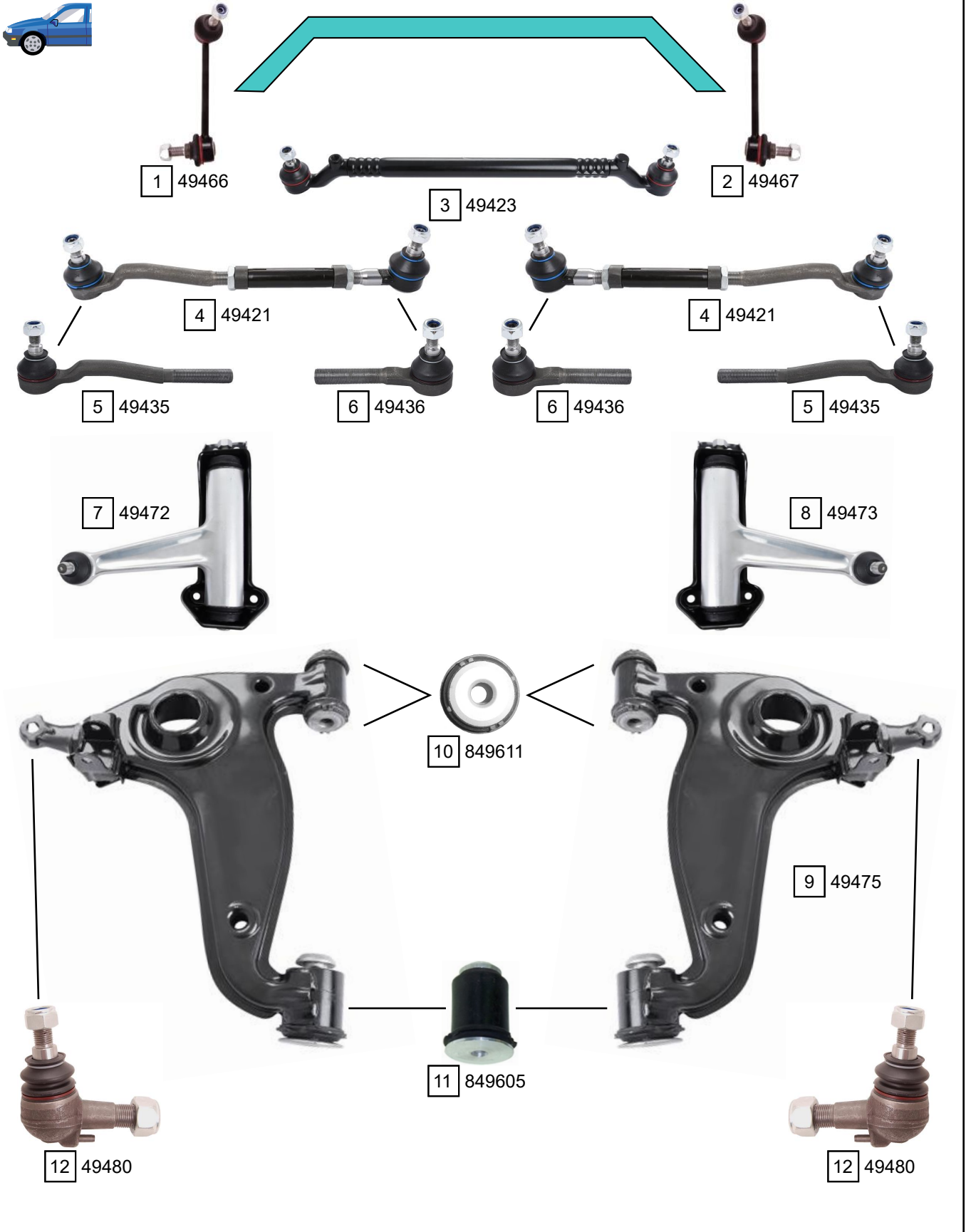
Ref.	Sidem Ref.	Description	OE-number	Measures	Ref.	Sidem Ref.	Description	OE-number	Measures
1	49034	tie rod end	000 338 52 10	c:12.7 th:MM14X1.5R	6	849607	silentblock for TCA	116 333 40 14	di:16.4 do:40.5 (*)
2	49035	tie rod end	000 338 50 10	c:12.7 th:MM14X1.5L	7	49183	ball joint lower	116 333 09 27	c:18.2 do:45.4
3	49232	tie rod	126 330 05 03	c:12.6	8	R10115	mounting tool ring long ø60	SEE PAGE III	di:52 do:60
4	49284	TCA left wbj	126 330 06 07	c:13.9	9	49091	stabiliser link	115 320 15 89	L:110
5	49285	TCA right wbj	126 330 07 07	c:13.9					

MERCEDES

S-CLASS

S-CLASS (W140)
S-CLASS (S140)

02/1991 - 10/1998
09/1992 - 02/1999



Ref.	Sidem Ref.	Description	OE-number	Measures	Ref.	Sidem Ref.	Description	OE-number	Measures
1	49466	stabiliser link left	140 320 11 89	L:152	7	49472	TCA left wbj	140 330 76 07	c:16
2	49467	stabiliser link right	140 320 12 89	L:152	8	49473	TCA right wbj	140 330 77 07	c:16
3	49423	tie rod center	140 460 08 05	c:14.6 L:520	9	49475	TCA right wobj	140 330 71 07	c:18
4	49421	tie rod	140 330 00 03	L:340	10	849611	silentblock for TCA	124 333 43 14	di:16.2 do:48.2 (*)
5	49435	tie rod end	001 330 62 35	c:14.7 th:MM16x1.5R	11	849605	silentblock for TCA	140 333 18 14	di:16.9 do:58.3 (*)
6	49436	tie rod end	001 330 63 35	c:14.7 th:MM16x1.5L	12	49480	ball joint	140 333 03 27	c:18

S-CLASS (W140)
S-CLASS (S140)

02/1991 - 10/1998
09/1992 - 02/1999



1 49162



1 49162



2 49579



2 49579



3 49422



3 49422



4 49270



4 49270



6 49382



6 49382



7 R10079



5 49465



5 49465

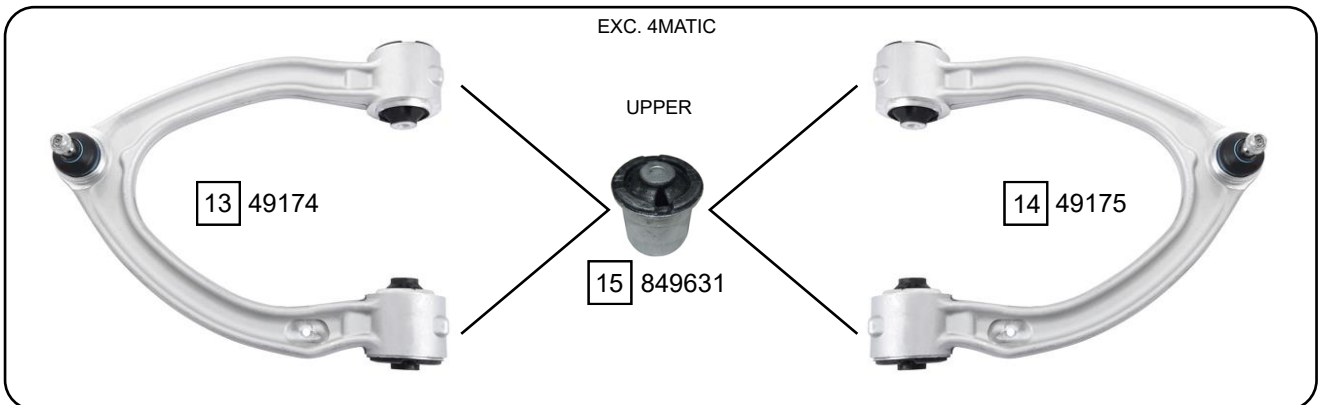
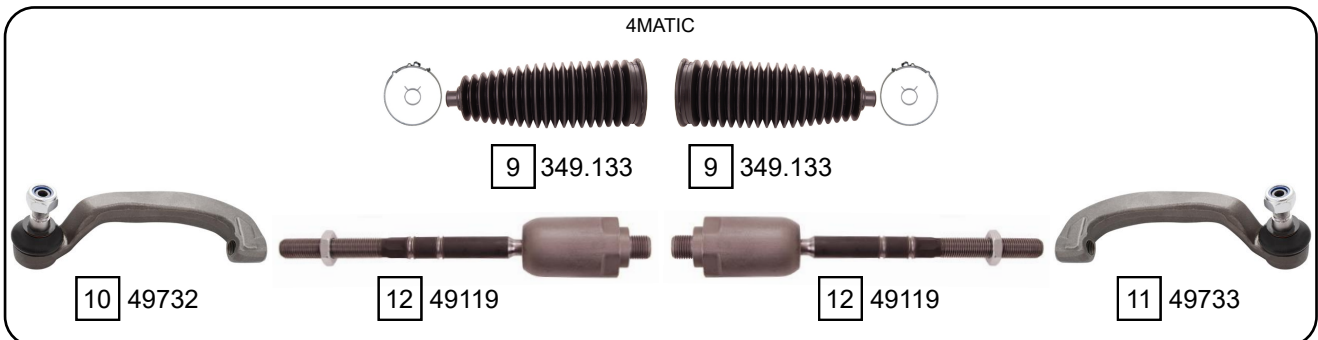
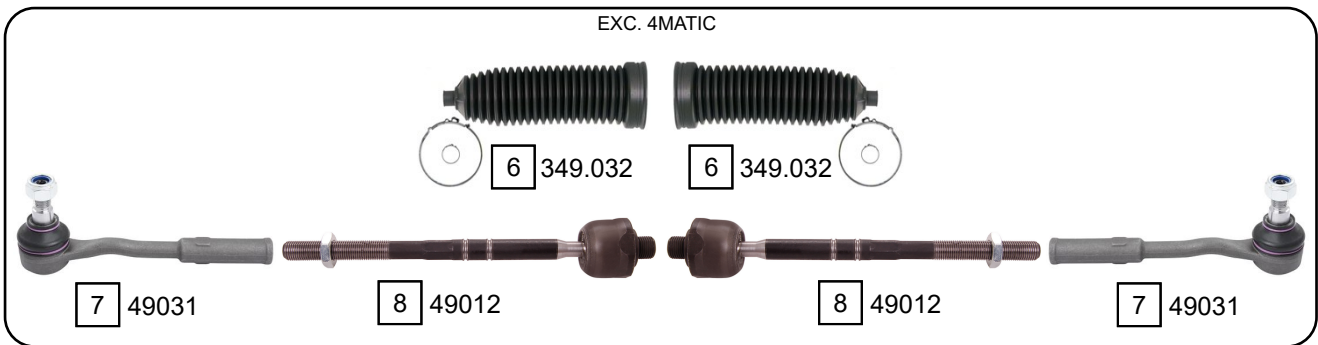
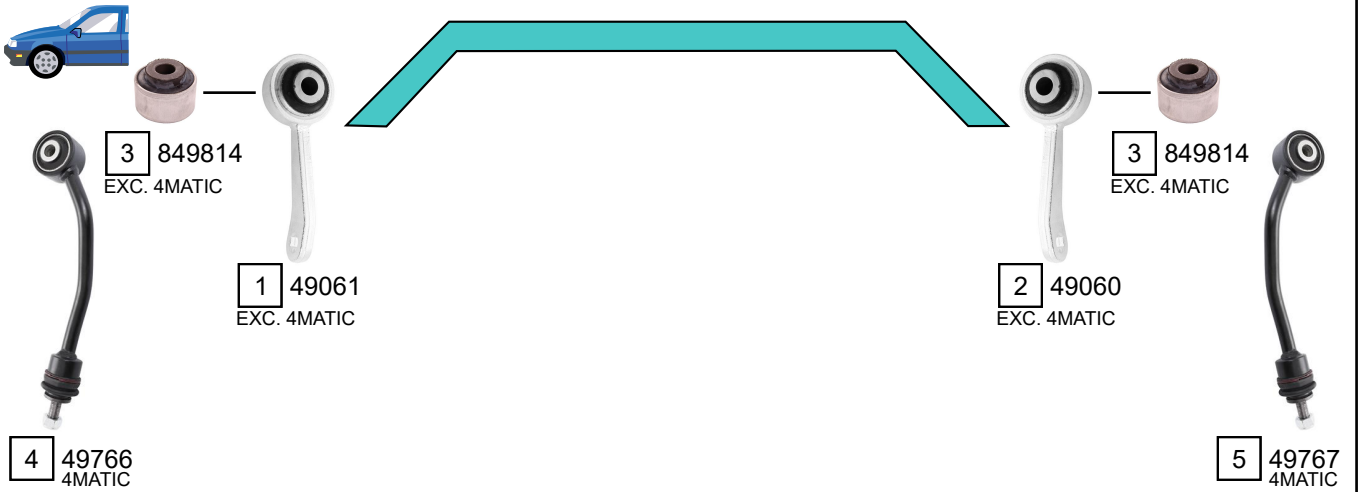


7 R10079

Ref.	Sidem Ref.	Description	OE-number	Measures	Ref.	Sidem Ref.	Description	OE-number	Measures
1	49162	TCA	140 350 35 06	L:395	5	49465	stabiliser link rear axle	140 320 35 89	L:230
2	49579	TCA	140 350 36 06	L:322	6	49382	ball joint rear	204 352 00 27	di:14.2 do:40
3	49422	TCA	140 350 34 53	c:12.5	7	R10079	mounting tool ring ø46 ø38	SEE PAGE III	di:38 do:46
4	49270	TCA	220 350 26 06	L:432					

S-CLASS (W220)

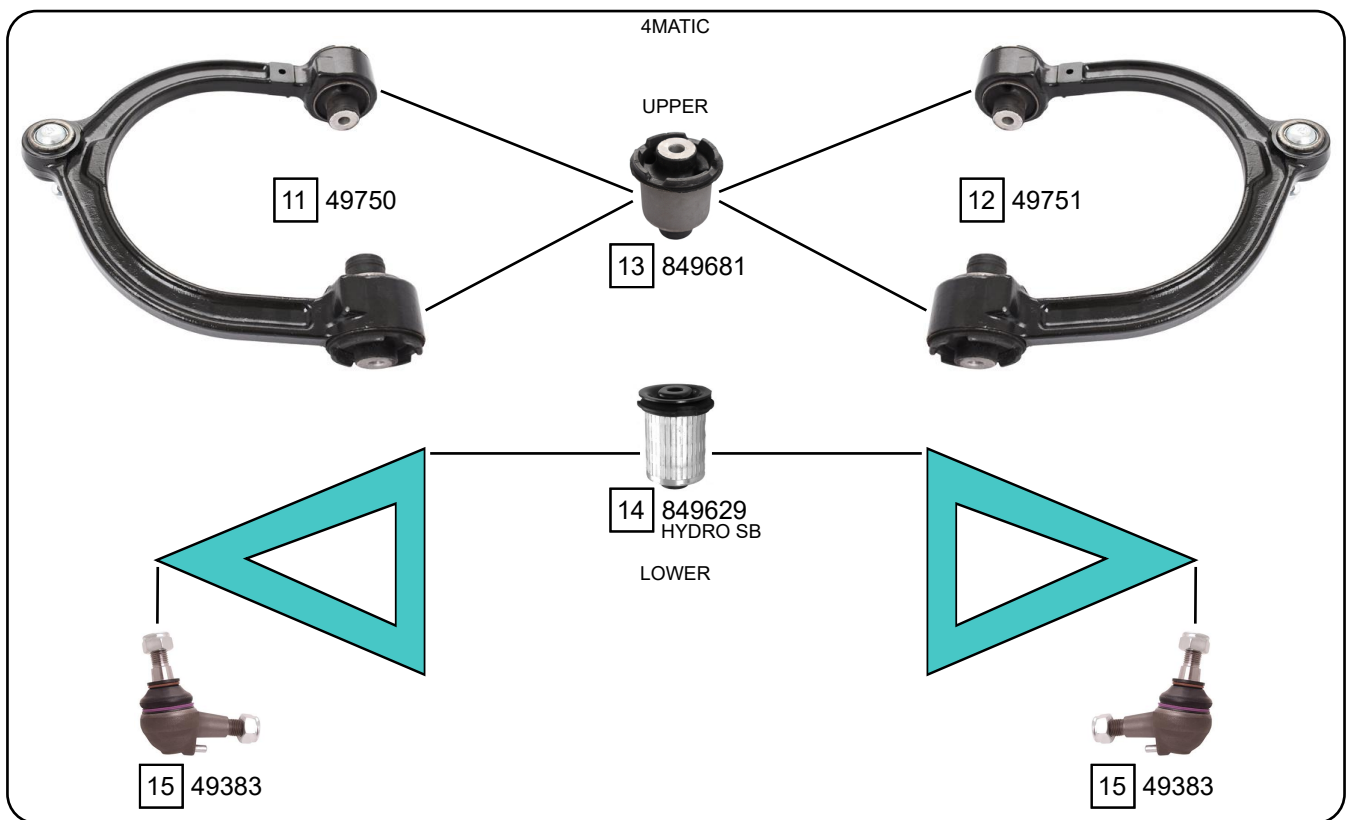
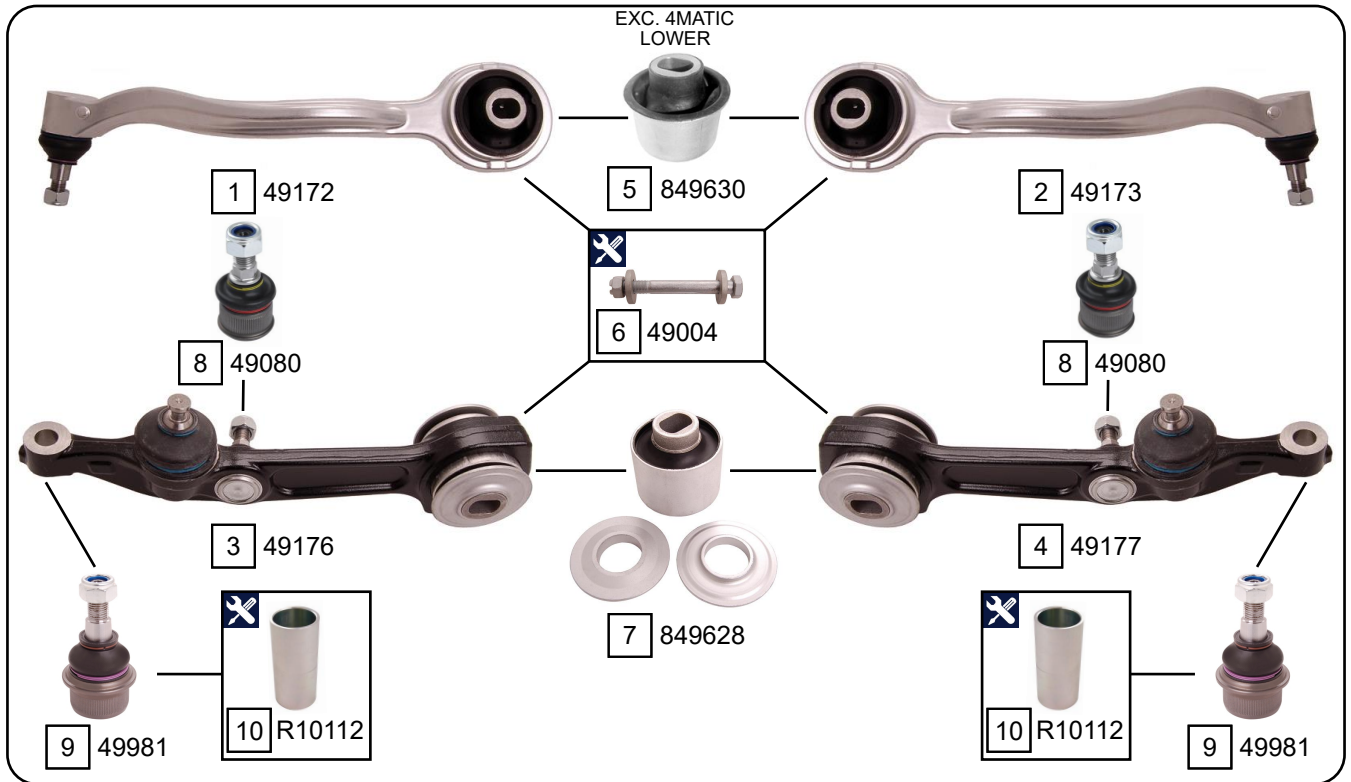
10/1998 - 08/2005



Ref.	Sidem Ref.	Description	OE-number	Measures	Ref.	Sidem Ref.	Description	OE-number	Measures
1	49061	stabiliser link left	220 320 16 89		9	349.133	steering rack gaiter	211 463 03 96	D:61 d:14 L:208
2	49060	stabiliser link right	220 320 15 89		10	49732	tie rod end left	220 338 13 15	c:16.5 th:FM14X1.5R
3	849814	stabiliser mounting	Part of	di:14.2	11	49733	tie rod end right	220 338 14 15	c:16.5 th:FM14X1.5R
4	49766	stabiliser link left	220 320 33 89	L:262	12	49119	axial joint	220 338 12 15	th:MM16x1.5R L:234
5	49767	stabiliser link right	220 320 34 89	L:262	13	49174	TCA left wbj	220 330 93 07	c:12.8
6	349.032	steering rack gaiter	220 463 02 96	D:70 d:14 L:240	14	49175	TCA right wbj	220 330 94 07	c:12.8
7	49031	tie rod end	230 330 04 03	c:16.6 th:FM14x1.5R	15	849631	silentblock for TCA	Part of	di:10.2 do:49 (*)
8	49012	axial joint	230 338 00 15	th:MM16X1.5R L:244					

S-CLASS (W220)

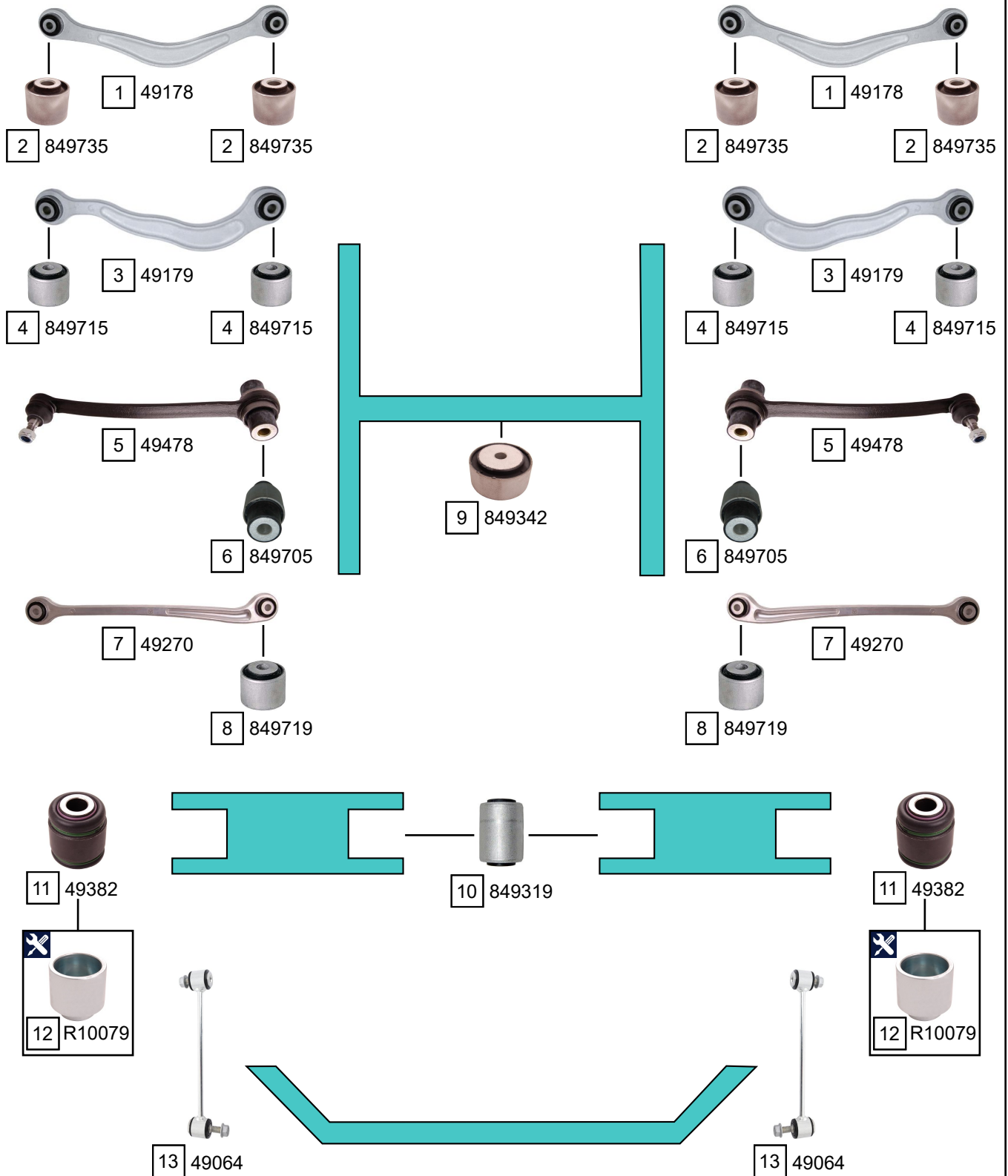
10/1998 - 08/2005



Ref.	Sidem Ref.	Description	OE-number	Measures	Ref.	Sidem Ref.	Description	OE-number	Measures
1	49172	TCA left wbj	220 330 57 11	c:17	9	49981	ball joint	220 333 07 27	c:17 do:41.3
2	49173	TCA right wbj	220 330 17 11	c:17	10	R10112	mounting tool ring long ø54	SEE PAGE III	di:46 do:54
3	49176	TCA left wobj	220 330 89 07	c:16.3	11	49750	TCA left wbj	220 330 69 07	c:12.7
4	49177	TCA right wobj	220 330 90 07	c:16.3	12	49751	TCA right wbj	220 330 70 07	c:12.8
5	849630	silentblock for TCA	Part of	di:11 do:67 (*)	13	849681	silentblock for TCA	Part of	di:10.1 do:50 (*)
6	49004	mounting kit	000 330 00 18	th:M14X.15 L:120	14	849629	silentblock for TCA	210 333 68 14	di:15 do:60 (*)
7	849628	silentblock for TCA + rings	220 330 91 07	di:10.6 do:70.3 (*)	15	49383	ball joint	211 330 03 35	c:15.9
8	49080	ball joint	211 323 00 68	do:34.1					

S-CLASS (W220)

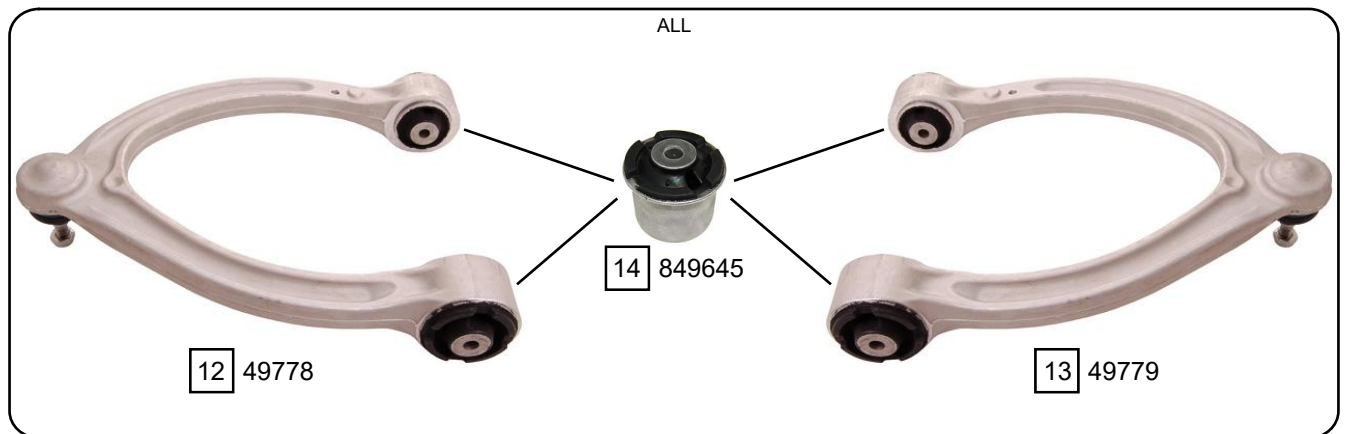
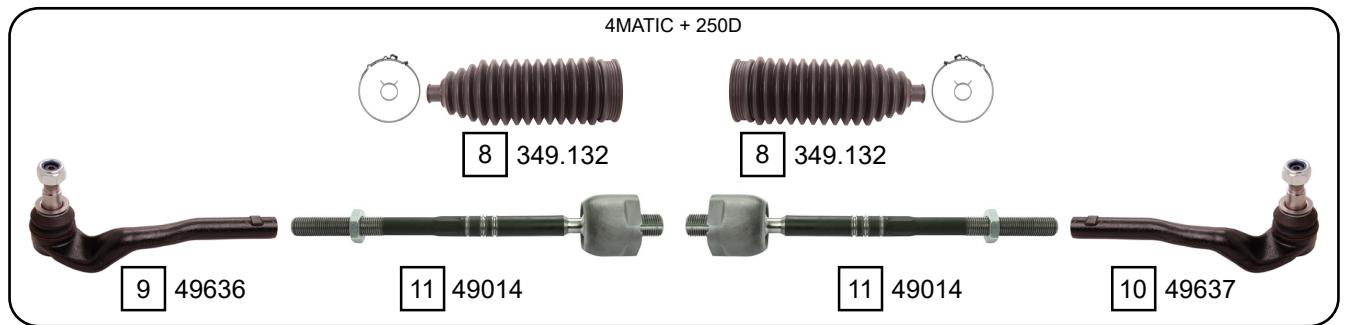
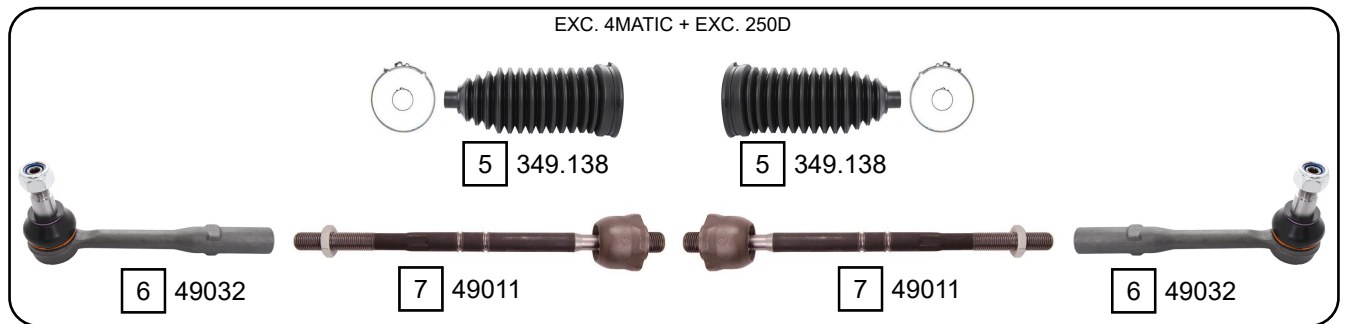
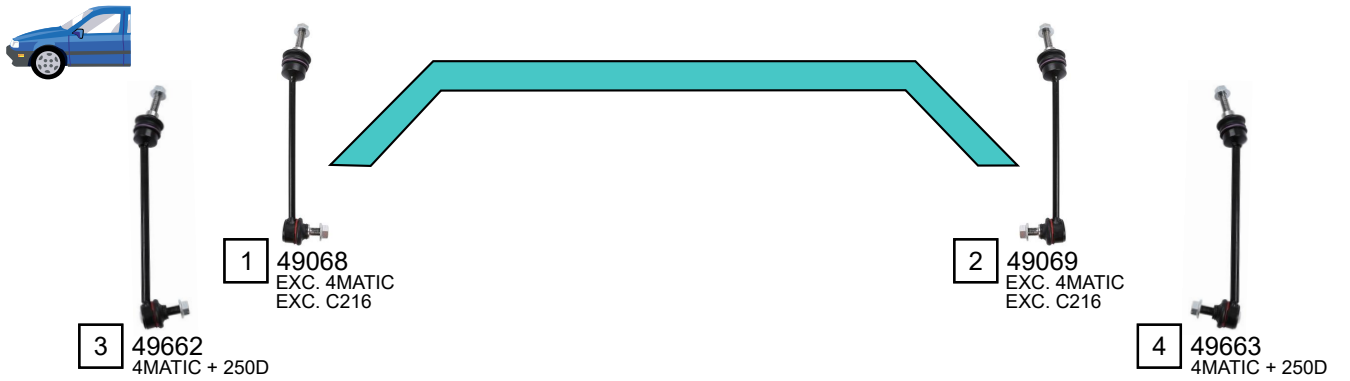
10/1998 - 08/2005



Ref.	Sidem Ref.	Description	OE-number	Measures	Ref.	Sidem Ref.	Description	OE-number	Measures
1	49178	TCA	220 350 22 06	L:395	8	849719	silentblock for TCA	Part of	di:12.2 do:39.6 (*)
2	849735	silentblock for TCA	Part of	di:12.1 do:41.6 (*)	9	849342	mounting axle body	220 351 09 42	di:12.1 do:66.1
3	49179	TCA	220 350 24 06	L:323	10	849319	silentblock for TCA	222 352 08 65	di:12.2 do:51.4 (*)
4	849715	silentblock for TCA	210 352 06 65	di:12.2 do:39.5 (*)	11	49382	ball joint rear	204 352 00 27	di:14.2 do:40
5	49478	TCA wbj	220 350 04 53	c:11.4	12	R10079	mounting tool ring ø46 ø38	SEE PAGE III	di:38 do:46
6	849705	silentblock for TCA	Part of	di:12.2 do:40.3 (*)	13	49064	stabiliser link rear axle	220 320 36 89	L:231
7	49270	TCA	220 350 26 06	L:432					

S-CLASS (W221)
S-CLASS COUPE - CL (C216)

10/2005 - 12/2013
05/2006 - 12/2013



Ref.	Sidem Ref.	Description	OE-number	Measures	Ref.	Sidem Ref.	Description	OE-number	Measures
1	49068	stabiliser link left	221 320 01 89	L:266	8	349.132	steering rack gaiter	204 463 03 96	D:56 d:13 L:190
2	49069	stabiliser link right	221 320 02 89	L:266	9	49636	tie rod end left	221 330 33 03	c:16.6 th:FM14x1.5R
3	49662	stabiliser link left	221 320 15 89	L:293	10	49637	tie rod end right	221 330 34 03	c:16.6 th:FM14x1.5R
4	49663	stabiliser link right	221 320 16 89	L:293	11	49014	axial joint	204 338 05 15	th:MM16x1.5R L:243
5	349.138	steering rack gaiter	221 463 02 96	D:67 d:14 L:183	12	49778	TCA left wbj	221 330 89 07	c:12.8
6	49032	tie rod end	221 330 39 03	c:16.6 th:FM14x1.5R	13	49779	TCA right wbj	221 330 90 07	c:12.8
7	49011	axial joint	221 330 16 03	th:MM16x1.5R L:265	14	849645	silentblock for TCA	Part of	di:10.2 do:51 (*)

S-CLASS (W221)
S-CLASS COUPE - CL (C216)

10/2005 - 12/2013
05/2006 - 12/2013



EXC. 4MATIC

-> 12/2011



1 49870

15 849643

2 49871

12/2011 ->



3 49650
with HYDRO SB

16 849627
HYDRO SB

4 49651
with HYDRO SB

ABC Suspension



5 49658
-> CHAS A 097048

7 49872
CHAS A 000101 ->

17 849644

ABC Suspension



6 49659
-> CHAS A 097048

8 49873
CHAS A 000101 ->

9 49052
EXC. ABC Suspension
EXC. 4MATIC
EXC. C216

17 849644

10 49053
EXC. ABC Suspension
EXC. 4MATIC
EXC. C216

4MATIC + 250D
EXC. ABC Suspension



11 49654

16 849627
HYDRO SB

12 49655

13 49656

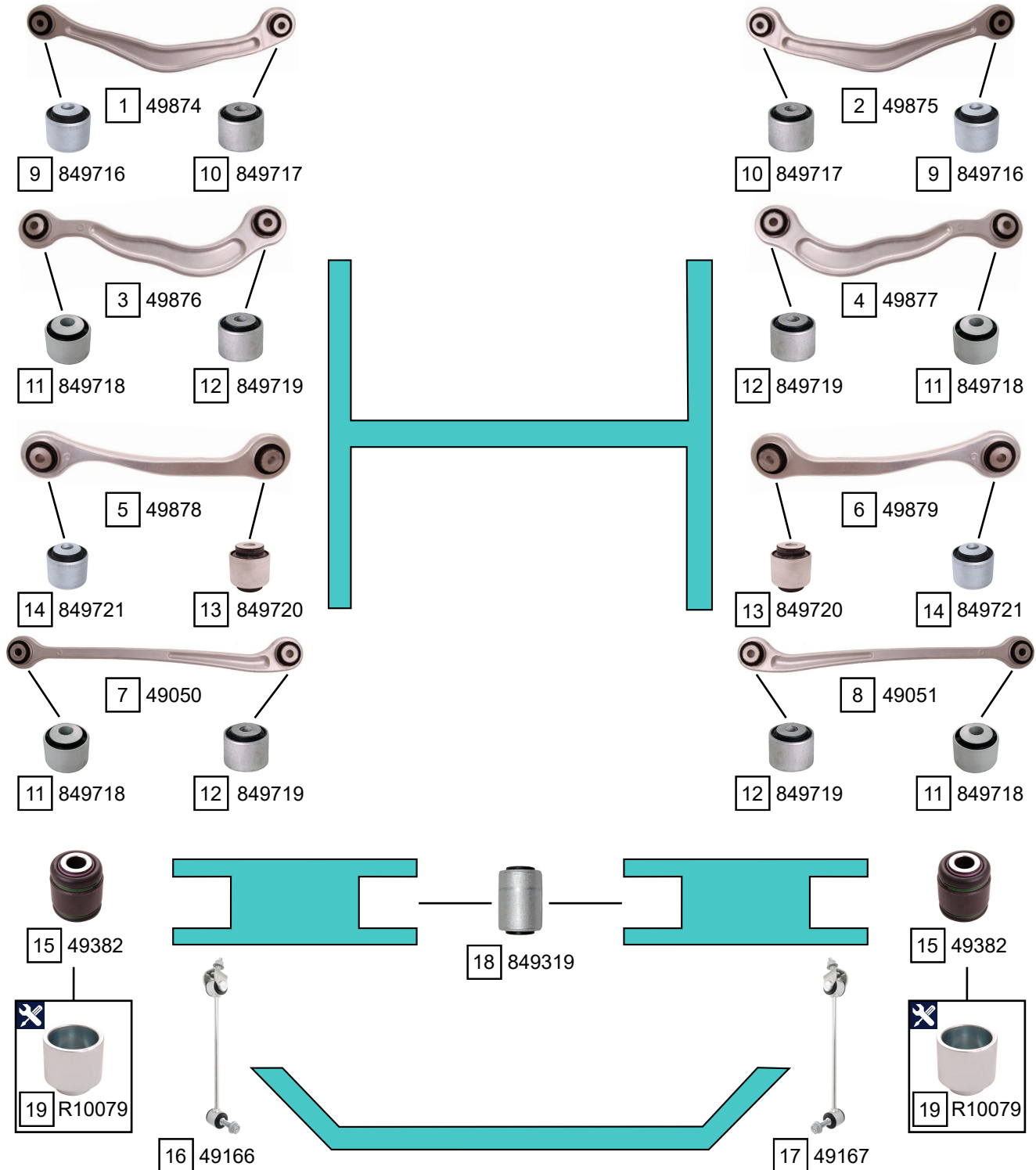
17 849644

14 49657

Ref.	Sidem Ref.	Description	OE-number	Measures	Ref.	Sidem Ref.	Description	OE-number	Measures
1	49870	TCA left wbj	221 330 63 11 S1	c:19.5 L:431	10	49053	TCA right wbj	221 330 82 07	c:19.5
2	49871	TCA right wbj	221 330 64 11 S1	c:19.5 L:431	11	49654	TCA left wbj	221 330 65 11 S1	c:17.4 L:465
3	49650	TCA left wbj	221 330 63 11 S2	c:19.5 L:431	12	49655	TCA right wbj	221 330 66 11 S1	c:17.4 L:465
4	49651	TCA right wbj	221 330 64 11 S2	c:19.5 L:431	13	49656	TCA left wbj	221 330 77 07	c:17.4 L:360
5	49658	TCA left wbj	221 330 71 07	c:19.5 L:345	14	49657	TCA right wbj	221 330 78 07	c:17.4 L:360
6	49659	TCA right wbj	221 330 72 07	c:19.5 L:345	15	849643	silentblock for TCA	221 333 08 14	di:14.2 do:70.5 (*)
7	49872	TCA left wbj	221 330 87 07	c:19.5 L:345	16	849627	silentblock for TCA	204 333 11 14	di:14.8 do:70.2 (*)
8	49873	TCA right wbj	221 330 88 07	c:19.5 L:345	17	849644	silentblock for TCA	221 333 07 14	di:14.2 do:60.3 (*)
9	49052	TCA left wbj	221 330 81 07	c:19.5					

S-CLASS (W221)
S-CLASS COUPE - CL (C216)

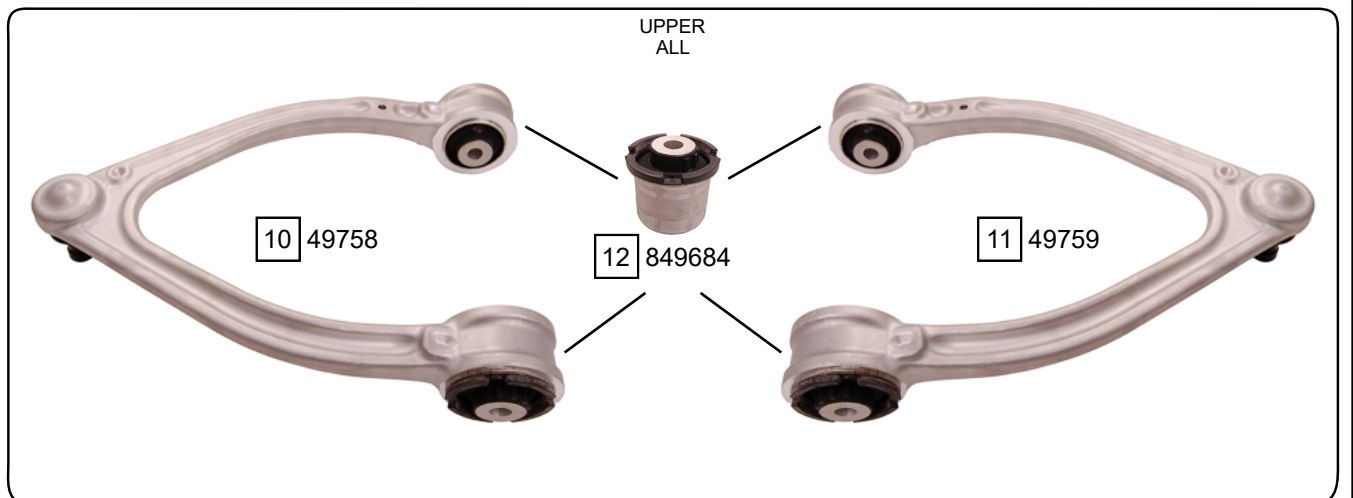
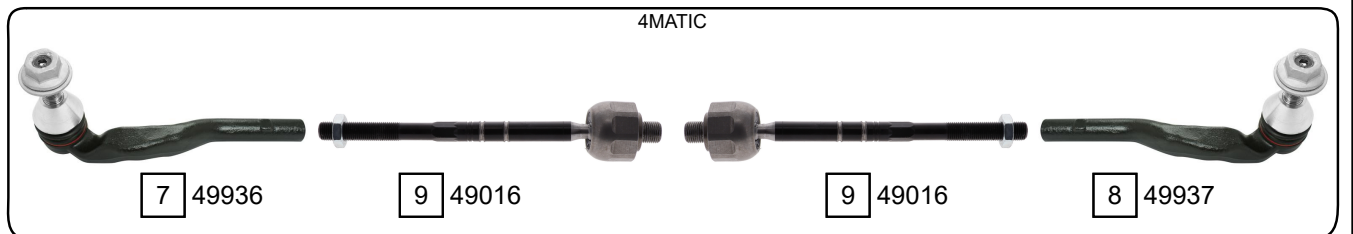
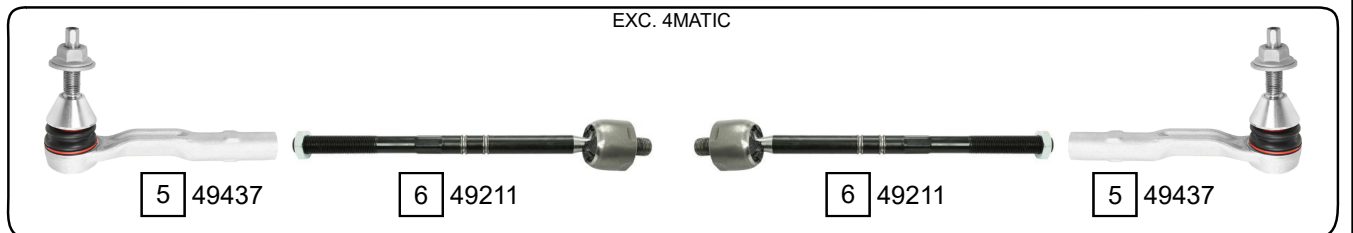
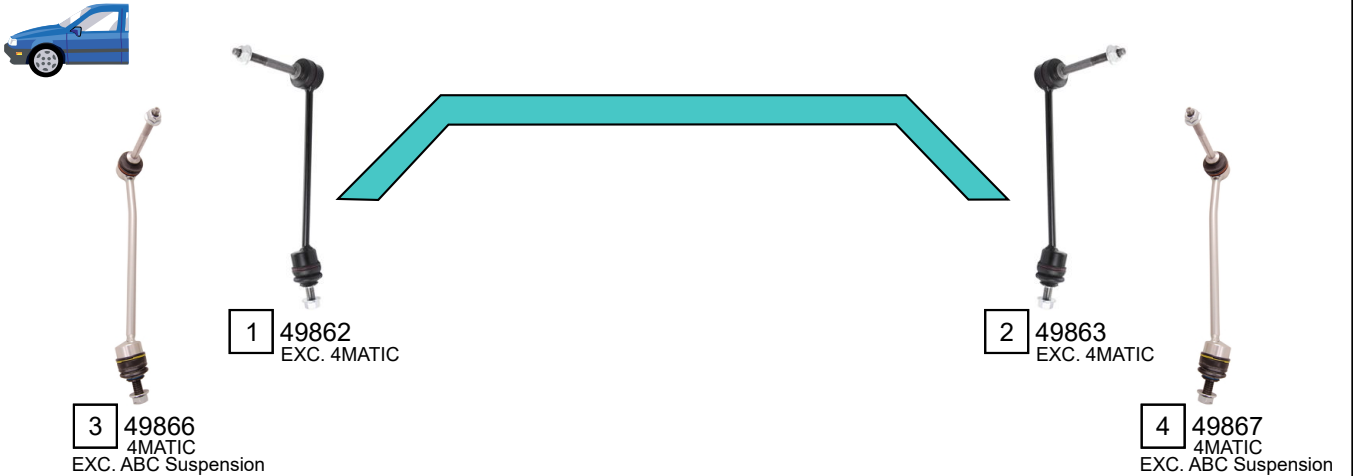
10/2005 - 12/2013
05/2006 - 12/2013



Ref.	Sidem Ref.	Description	OE-number	Measures	Ref.	Sidem Ref.	Description	OE-number	Measures
1	49874	TCA left	221 350 02 06	L:395	11	849718	silentblock for TCA	Part of	di:12.2 do:39.4 (*)
2	49875	TCA right	221 350 10 06	L:395	12	849719	silentblock for TCA	Part of	di:12.2 do:39.6 (*)
3	49876	TCA left	222 350 01 32	L:322	13	849720	silentblock for TCA	Part of	di:12.1 do:42.4 (*)
4	49877	TCA right	222 350 02 32	L:322	14	849721	silentblock for TCA	Part of	di:12.2 do:42.4 (*)
5	49878	TCA left	221 350 11 53	L:285	15	49382	ball joint rear	204 352 00 27	di:14.2 do:40
6	49879	TCA right	221 350 12 53	L:285	16	49166	stabiliser link left	221 320 19 89	
7	49050	TCA left	222 350 01 29	L:432	17	49167	stabiliser link right	221 320 22 89	
8	49051	TCA right	222 350 02 29	L:432	18	849319	silentblock for TCA	222 352 08 65	di:12.2 do:51.4 (*)
9	849716	silentblock for TCA	Part of	di:12.1 do:41.5 (*)	19	R10079	mounting tool ring ø46 ø38	SEE PAGE III	di:38 do:46
10	849717	silentblock for TCA	Part of	di:12.1 do:41.1 (*)					

S-CLASS (W222, V222, X222)
S-CLASS COUPE (C217)

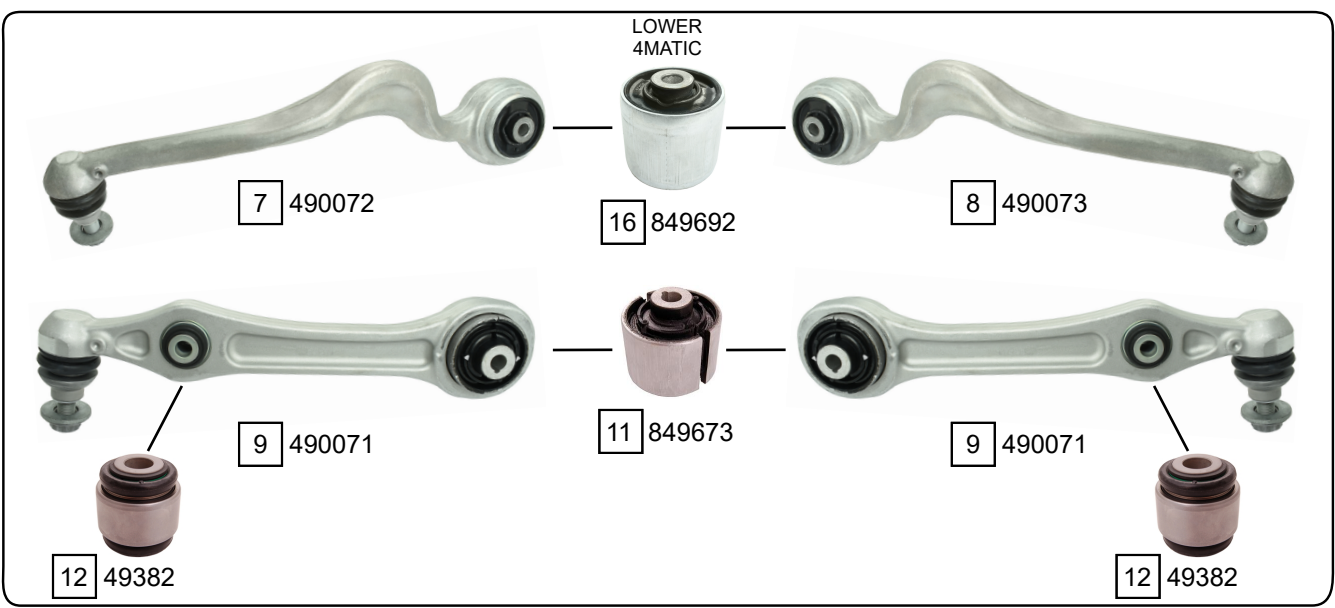
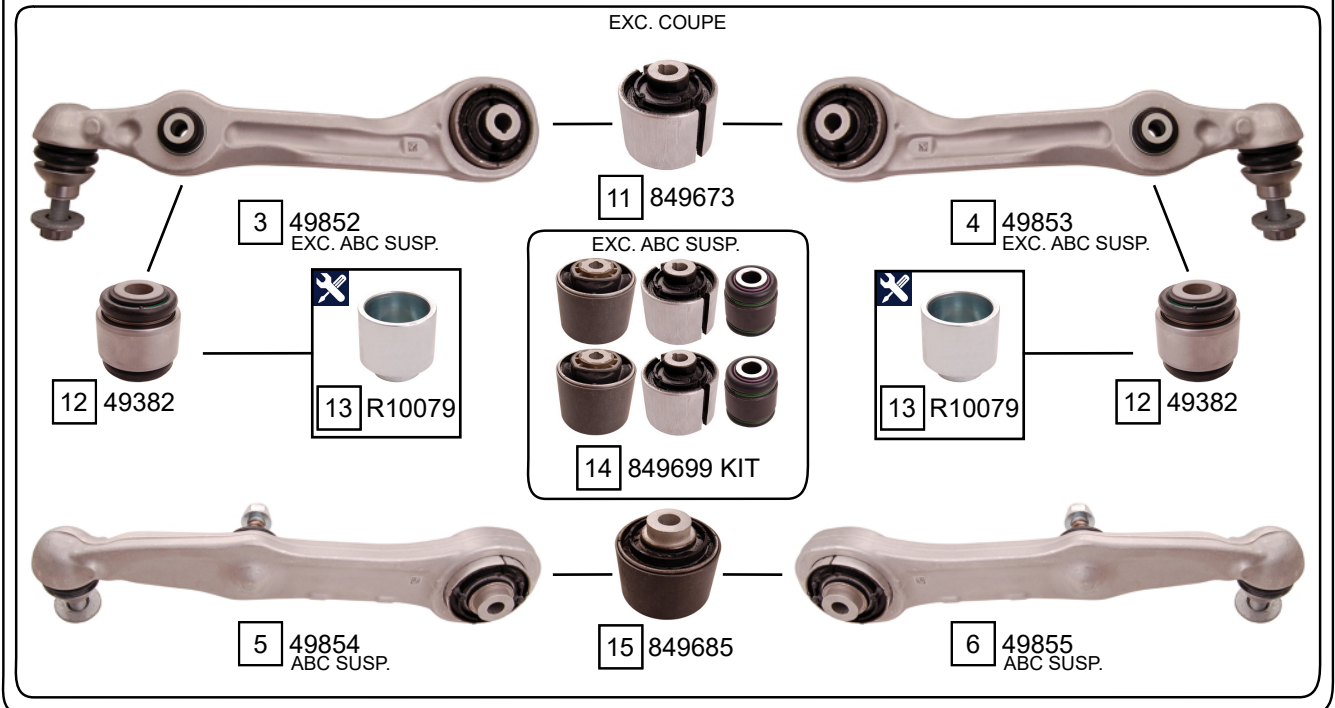
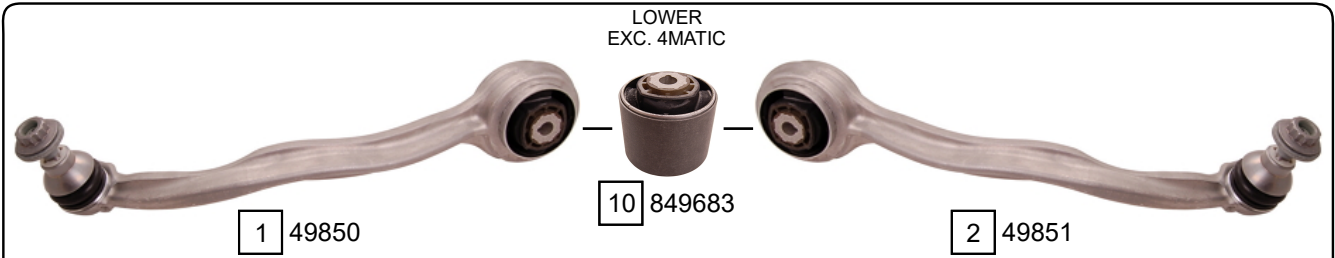
05/2013 ->
04/2014 ->



Ref.	Sidem Ref.	Description	OE-number	Measures	Ref.	Sidem Ref.	Description	OE-number	Measures
1	49862	stabiliser link left	222 320 17 89	L:260	7	49936	tie rod end left	222 330 01 03	c:21.5 th:FM14x1.5R
2	49863	stabiliser link right	222 320 16 89	L:260	8	49937	tie rod end right	222 330 02 03	c:21.5 th:FM14x1.5R
3	49866	stabiliser link left	222 320 11 89	L:301	9	49016	axial joint	212 330 28 03	th:MM16X1.5R L:237
4	49867	stabiliser link right	222 320 10 89	L:301	10	49758	TCA left wbj	217 330 39 00	c:20.4
5	49437	tie rod end	222 330 70 00	c:21.5 th:FM16X1.5R	11	49759	TCA right wbj	217 330 40 00	c:20.4
6	49211	axial joint	222 330 71 00	th:MM16X1.5R L:298	12	849684	silentblock for TCA	Part of	di:12.1 do:51.2 (*)

S-CLASS (W222, V222, X222)
S-CLASS COUPE (C217)

05/2013 ->
04/2014 ->



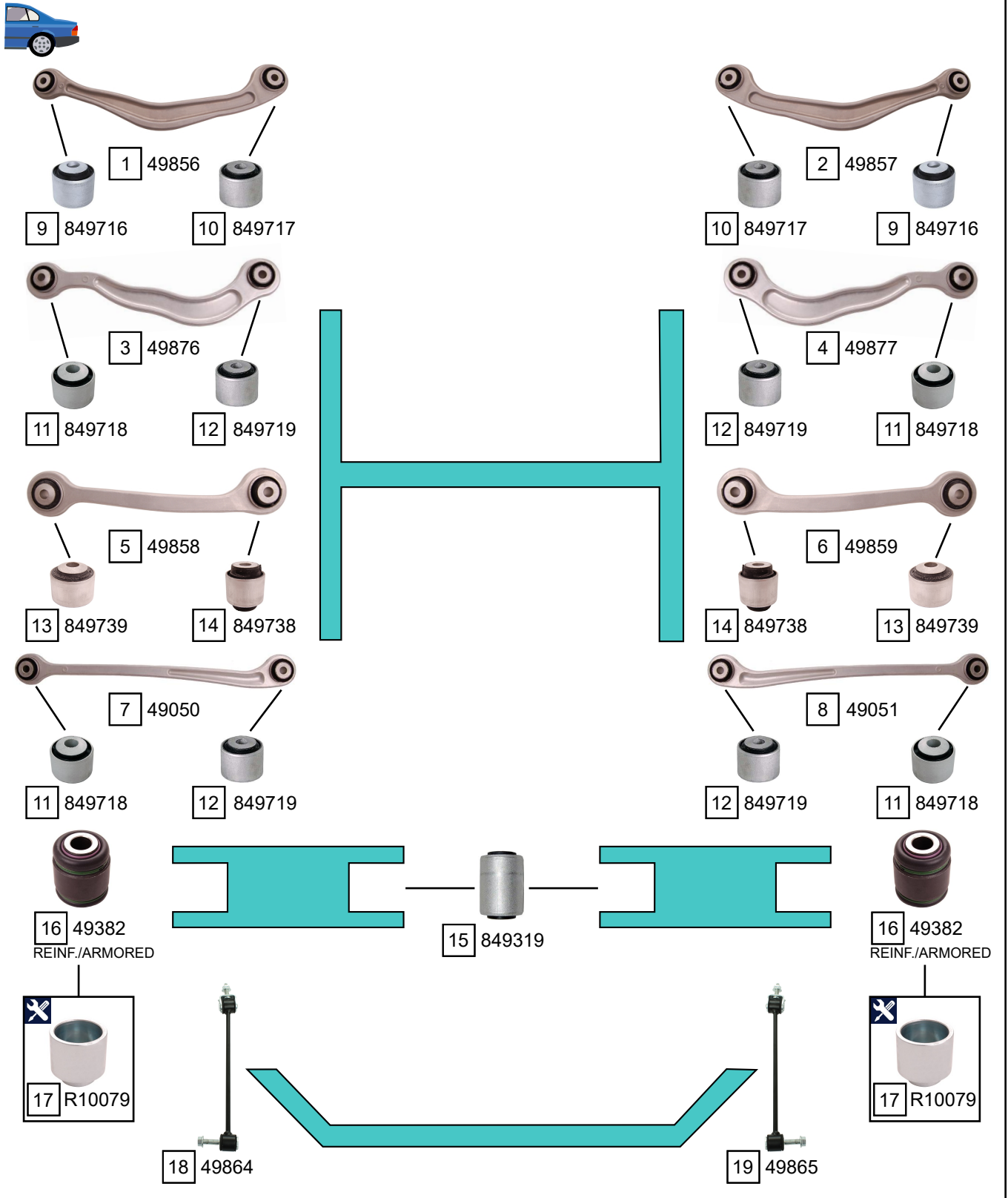
Ref.	Sidem Ref.	Description	OE-number	Measures	Ref.	Sidem Ref.	Description	OE-number	Measures
1	49850	TCA left wbj	222 330 23 01	c:16 L:440	9	490071	TCA wbj	222 330 33 07	c:16
2	49851	TCA right wbj	222 330 24 01	c:16 L:440	10	849683	silentblock for TCA	Part of	di:14.1 do:75.3 (*)
3	49852	TCA left wbj	222 330 01 07	c:16 L:360	11	849673	silentblock for TCA	Part of	di:14.1 do:71 (*)
4	49853	TCA right wbj	222 330 02 07	c:16 L:360	12	49382	ball joint rear	204 352 00 27	di:14.2 do:40
5	49854	TCA left wbj	222 330 57 01	c:18.5 L:360	13	R10079	mounting tool ring ø46 ø38	SEE PAGE III	di:38 do:46
6	49855	TCA right wbj	222 330 58 01	c:18.5 L:360	14	849699 KIT	silentblock kit	204 352 00 27 S1	
7	490072	TCA left wbj	217 330 51 00	c:16 L:470	15	849685	silentblock for TCA	Part of	di:14 do:70 (*)
8	490073	TCA right wbj	217 330 52 00	c:16 L:470	16	849692	silentblock for TCA	Part of	di:14.1 do:75.2 (*)

MERCEDES

S-CLASS

S-CLASS (W222, V222, X222)
S-CLASS COUPE (C217)

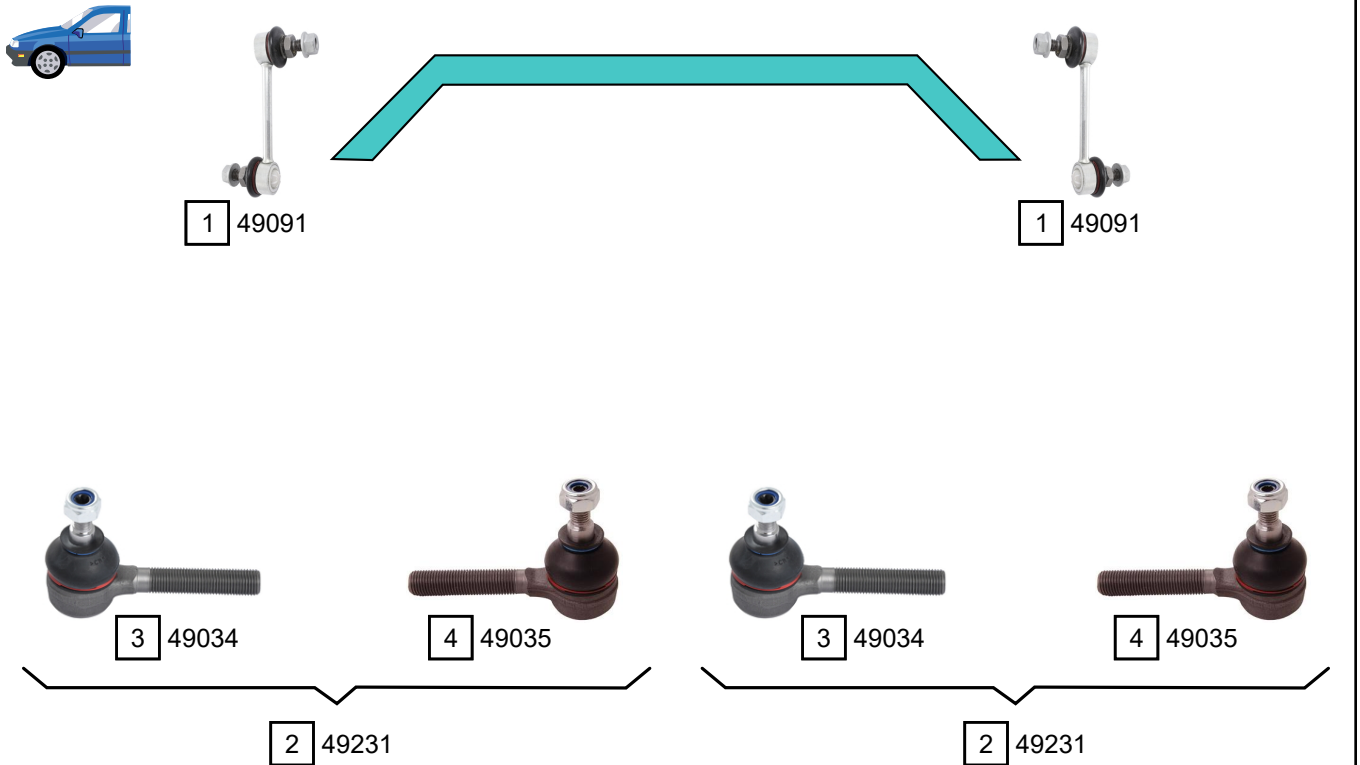
05/2013 ->
04/2014 ->



Ref.	Sidem Ref.	Description	OE-number	Measures	Ref.	Sidem Ref.	Description	OE-number	Measures
1	49856	TCA left	222 350 01 92	L:395	11	849718	silentblock for TCA	Part of	di:12.2 do:39.4 (*)
2	49857	TCA right	222 350 02 92	L:395	12	849719	silentblock for TCA	Part of	di:12.2 do:39.6 (*)
3	49876	TCA left	222 350 01 32	L:322	13	849739	silentblock for TCA	Part of	
4	49877	TCA right	222 350 02 32	L:322	14	849738	silentblock for TCA	Part of	di:12.1 do:42.35 (*)
5	49858	TCA left	222 350 13 02	L:285	15	849319	silentblock for TCA	222 352 08 65	di:12.2 do:51.4 (*)
6	49859	TCA right	222 350 14 02	L:285	16	49382	ball joint rear	204 352 00 27	di:14.2 do:40
7	49050	TCA left	222 350 01 29	L:432	17	R10079	mounting tool ring ø46 ø38	SEE PAGE III	di:38 do:46
8	49051	TCA right	222 350 02 29	L:432	18	49864	stabiliser link left	222 320 03 89	L:290
9	849716	silentblock for TCA	Part of	di:12.1 do:41.5 (*)	19	49865	stabiliser link right	222 320 04 89	L:290
10	849717	silentblock for TCA	Part of	di:12.1 do:41.1 (*)					

SL (R107)
SL COUPE (C107)

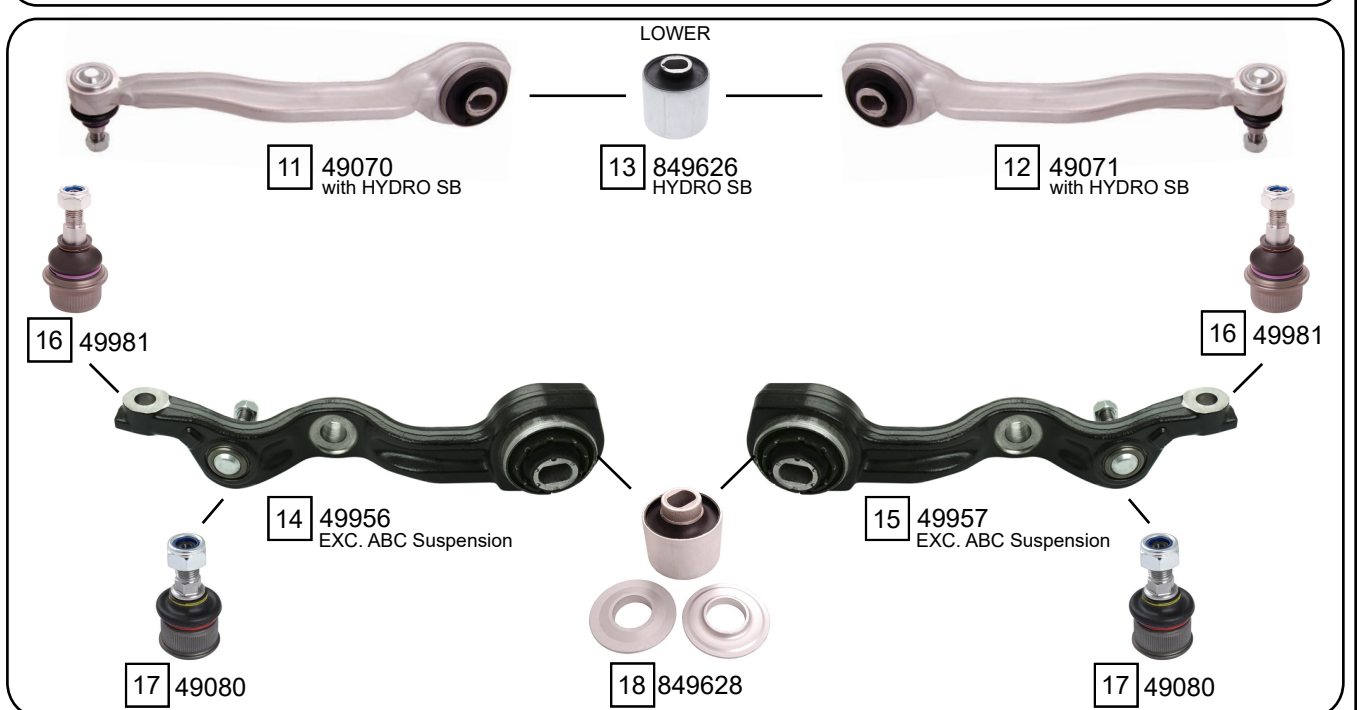
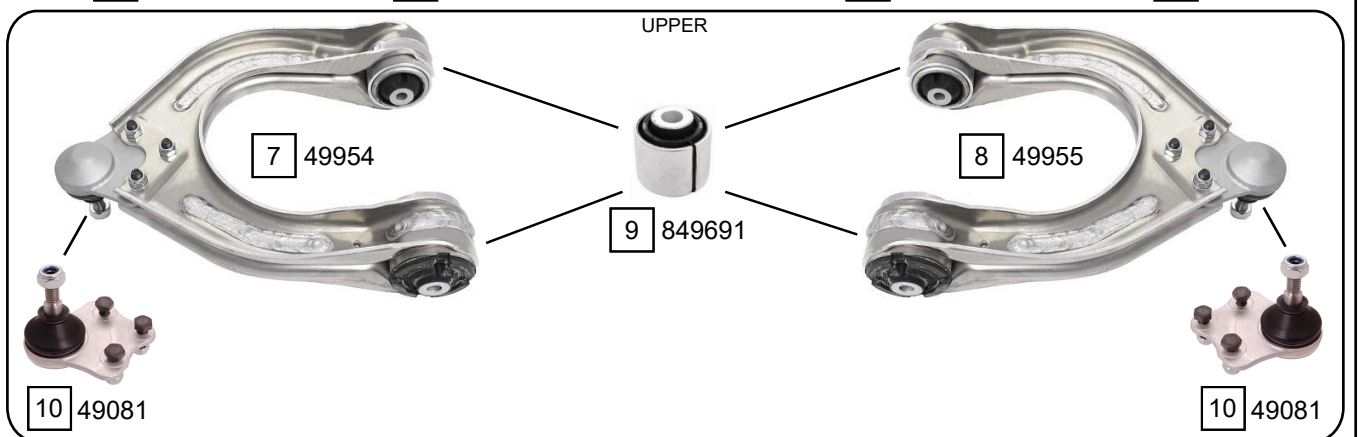
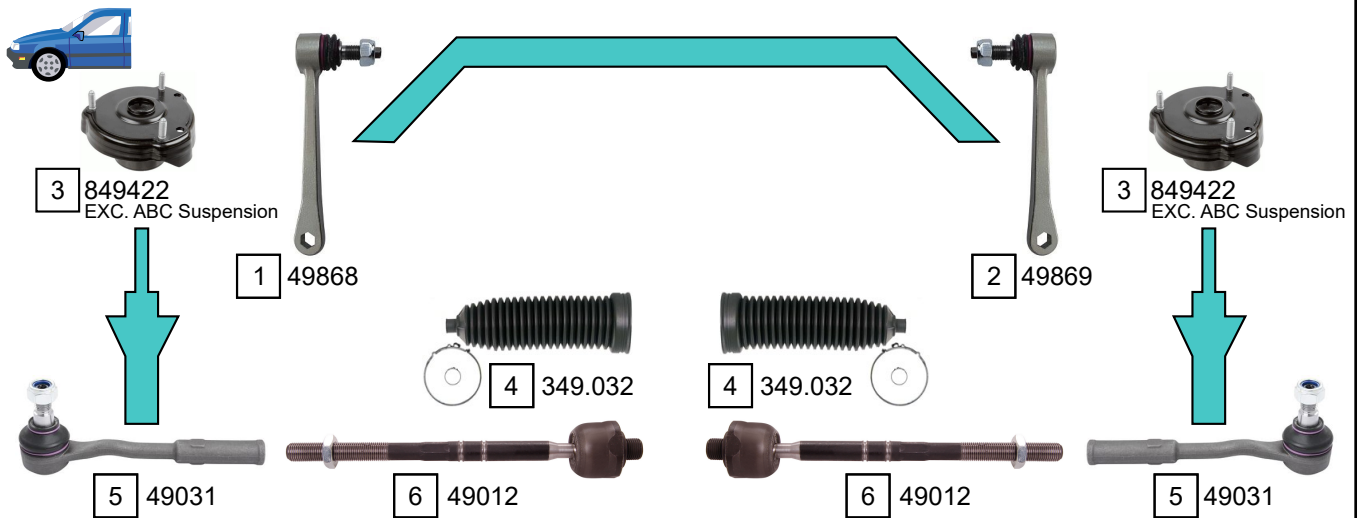
05/1971 - 09/1989
01/1972 - 09/1981



Ref.	Sidem Ref.	Description	OE-number	Measures	Ref.	Sidem Ref.	Description	OE-number	Measures
1	49091	stabiliser link	115 320 15 89	L:110	3	49034	tie rod end	000 338 52 10	c:12.7 th:MM14X1.5R
2	49231	tie rod	107 330 01 03	c:12.6	4	49035	tie rod end	000 338 50 10	c:12.7 th:MM14X1.5L

SL (R230)

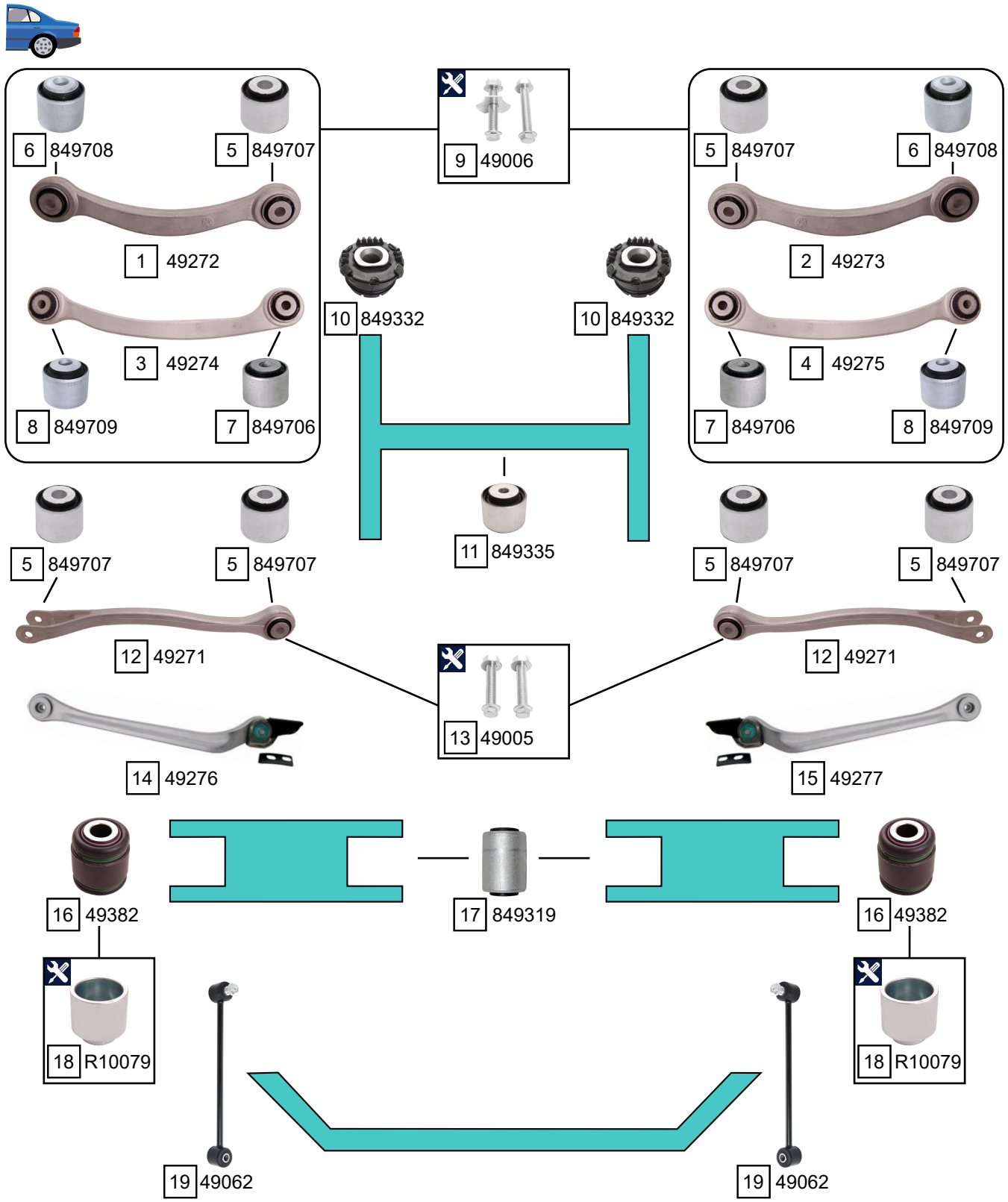
10/2001 - 01/2012



Ref.	Sidem Ref.	Description	OE-number	Measures	Ref.	Sidem Ref.	Description	OE-number	Measures
1	49868	stabiliser link left	230 320 05 89	L:180	10	49081	ball joint	Part of	c:13
2	49869	stabiliser link right	230 320 06 89	L:180	11	49070	TCA left wbj	211 330 43 11	c:17.2
3	849422	strut mount	230 323 00 20	di:10.5 do:64.4 L:70	12	49071	TCA right wbj	211 330 44 11	c:17.2
4	349.032	steering rack gaiter	220 463 02 96	D:70 d:14 L:240	13	849626	silentblock for TCA	203 333 10 14	di:17.4 do:70.2 (*)
5	49031	tie rod end	230 330 04 03	c:16.6 th:FM14x1.5R	14	49956	TCA left wobj	230 330 33 07	
6	49012	axial joint	230 338 00 15	th:MM16X1.5R L:244	15	49957	TCA right wobj	230 330 34 07	
7	49954	TCA left wbj	230 330 01 38 S1	c:13	16	49981	ball joint	220 333 07 27	c:17 do:41.3
8	49955	TCA right wbj	230 330 01 38 S2	c:13	17	49080	ball joint	211 323 00 68	do:34.1
9	849691	silentblock for TCA	Part of	di:10.3 do:51.3 (*)	18	849628	silentblock for TCA + rings	220 330 91 07	di:10.6 do:70.3 (*)

SL (R230)

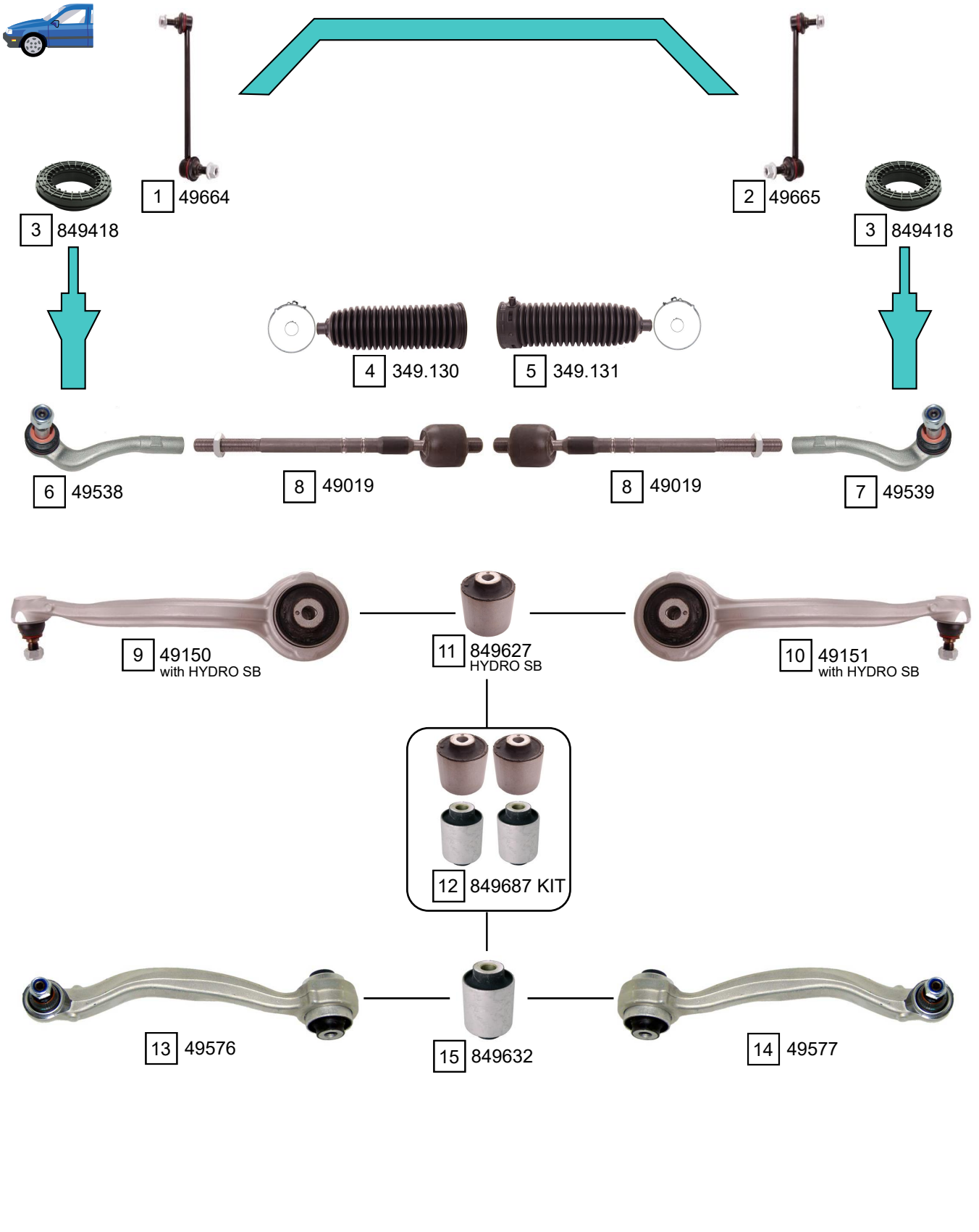
10/2001 - 01/2012



Ref.	Sidem Ref.	Description	OE-number	Measures	Ref.	Sidem Ref.	Description	OE-number	Measures
1	49272	TCA	230 350 35 06	L:262	11	849335	mounting axle body	211 351 11 42	di:14.2 do:66.1
2	49273	TCA	230 350 36 06	L:262	12	49271	TCA	230 350 20 06	L:367.5
3	49274	TCA	230 350 27 06	L:324.5	13	49005	mounting kit	211 990 00 99	
4	49275	TCA	230 350 28 06	L:324.5	14	49276	TCA	230 350 03 29	L:439.5
5	849707	silentblock for TCA	230 352 15 65	di:12.1 do:38.5 (*)	15	49277	TCA	230 350 04 29	L:439.5
6	849708	silentblock for TCA	Part of	di:12.2 do:38.5 (*)	16	49382	ball joint rear	204 352 00 27	di:14.2 do:40
7	849706	silentblock for TCA	211 352 08 65	di:12.1 do:41.5 (*)	17	849319	silentblock for TCA	222 352 08 65	di:12.2 do:51.4 (*)
8	849709	silentblock for TCA	Part of	di:12.2 do:41.5 (*)	18	R10079	mounting tool ring ø46 ø38	SEE PAGE III	di:38 do:46
9	49006	mounting kit	211 990 02 99		19	49062	stabiliser link rear axle	211 320 33 89	L:260
10	849332	mounting axle body	211 351 14 42	di:17.3 do:77					

SLC (R172)

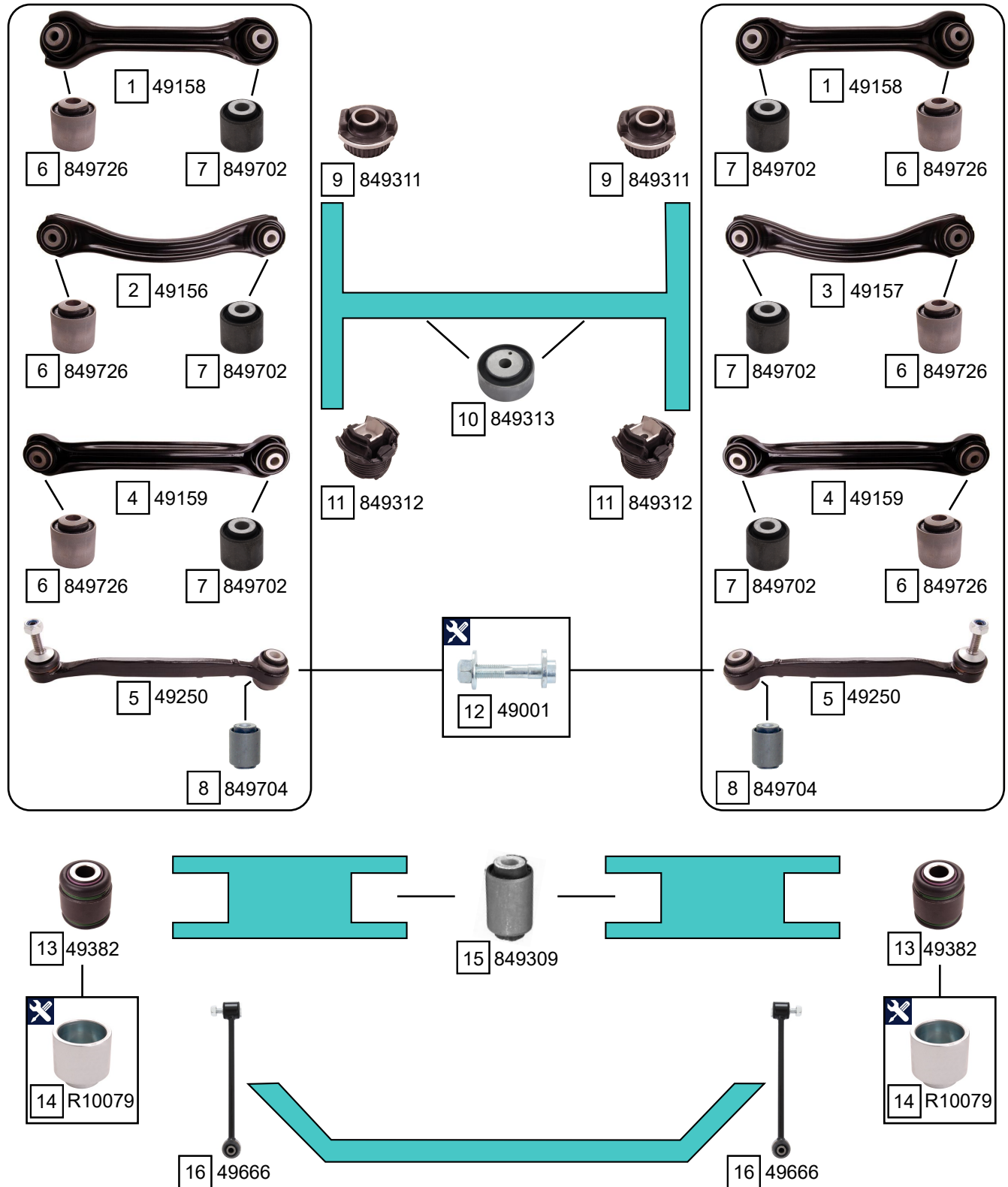
01/2016 ->



Ref.	Sidem Ref.	Description	OE-number	Measures	Ref.	Sidem Ref.	Description	OE-number	Measures
1	49664	stabiliser link left	172 323 01 17	L:257	9	49150	TCA left wbj	204 330 87 11	c:16.3
2	49665	stabiliser link right	172 323 02 17	L:257	10	49151	TCA right wbj	204 330 88 11	c:16.3
3	849418	bearing	204 981 00 25	di:82 do:126.5 L:36.4	11	849627	silentblock for TCA	204 333 11 14	di:14.8 do:70.2 (*)
4	349.130	steering rack gaiter	203 463 03 96	D:60 d:14 L:215	12	849687 KIT	silentblock kit	204 333 11 14 S1	
5	349.131	steering rack gaiter	204 463 02 96	D:63 d:14 L:230	13	49576	TCA left wbj	204 330 67 11	c:16.3
6	49538	tie rod end left	204 330 09 03	c:16 th:FM14x1.5R	14	49577	TCA right wbj	204 330 68 11	c:16.3
7	49539	tie rod end right	204 330 10 03	c:16 th:FM14x1.5R	15	849632	silentblock for TCA	Part of	di:14.3 do:53.1 (*)
8	49019	axial joint	204 338 06 15	th:MM16X1.5R L:275					

SLC (R172)

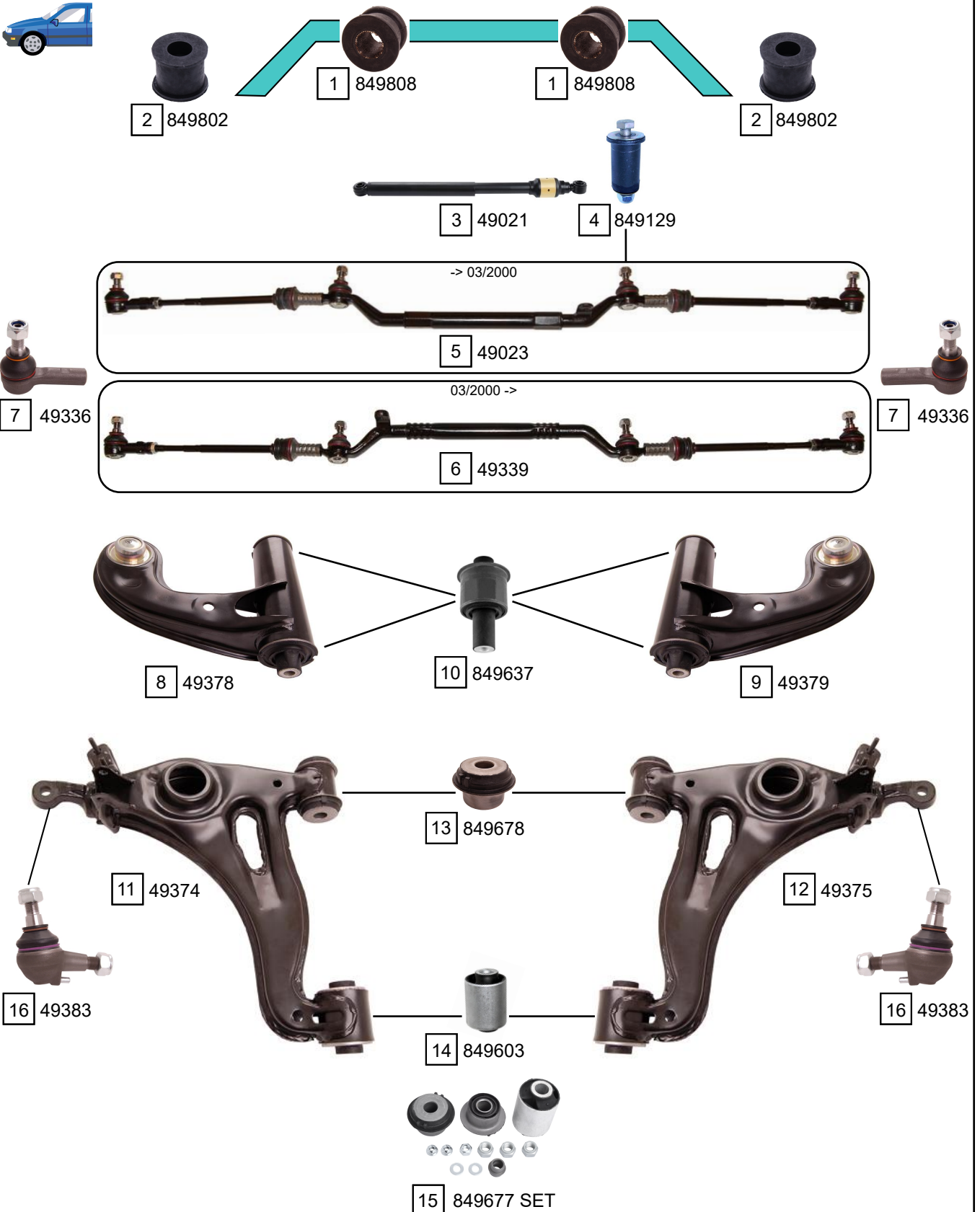
01/2016 ->



Ref.	Sidem Ref.	Description	OE-number	Measures	Ref.	Sidem Ref.	Description	OE-number	Measures
1	49158	track rod	172 350 04 06	L:247	9	849311	mounting axle body	171 351 01 42	di:17.5 do:77
2	49156	track rod	172 350 01 06	L:299	10	849313	mounting axle body	129 351 21 42	di:14.4 do:66.2
3	49157	track rod	172 350 02 06	L:299	11	849312	mounting axle body	203 351 01 42	di:13.2 do:91
4	49159	track rod	172 350 03 06	L:314	12	49001	mounting kit	140 350 11 70	th:M12x1.5R
5	49250	track rod	172 350 01 53	L:257	13	49382	ball joint rear	204 352 00 27	di:14.2 do:40
6	849726	silentblock for TCA	Part of	di:12.1 do:36.2 (*)	14	R10079	mounting tool ring ø46 ø38	SEE PAGE III	di:38 do:46
7	849702	silentblock for TCA	Part of	di:12.1 do:36.2 (*)	15	849309	silentblock for TCA	202 352 01 65	di:12 do:33 (*)
8	849704	silentblock for TCA	201 352 88 65	di:12.2 do:31.5 (*)	16	49666	stabiliser link	172 320 00 89	L:240

SLK (R170)

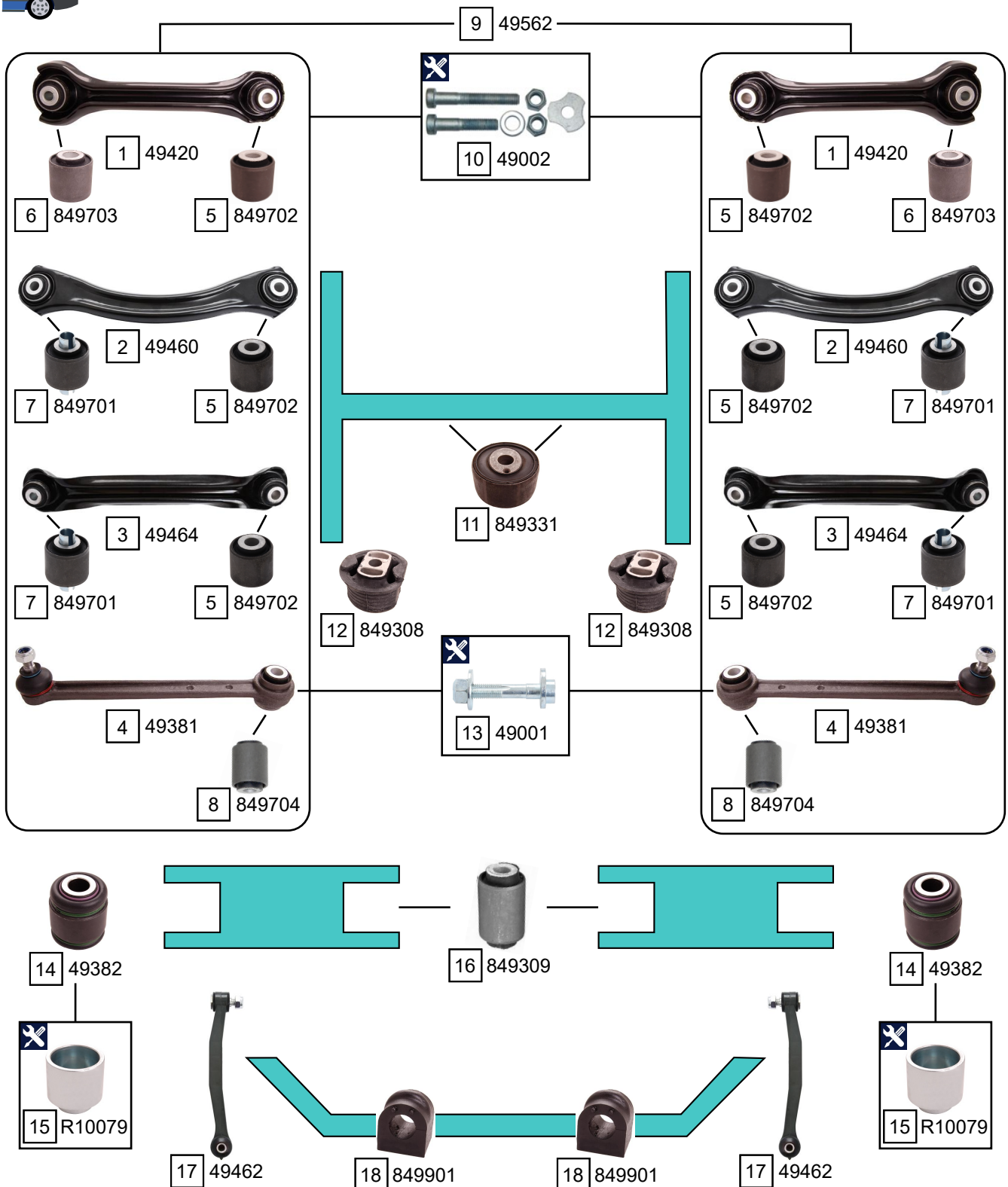
04/1996 - 04/2004



Ref.	Sidem Ref.	Description	OE-number	Measures	Ref.	Sidem Ref.	Description	OE-number	Measures
1	849808	stabiliser mounting	124 323 54 85	di:24	9	49379	TCA right wbj	210 330 88 07	c:12.6
2	849802	stabiliser mounting	124 323 49 85	di:18	10	849637	silentblock for TCA	Part of	di:10.2 do:49 (*)
3	49021	steering damper	124 463 04 32		11	49374	TCA left wobj	170 330 01 07	c:15.2
4	849129	repair kit idler arm	202 460 03 19		12	49375	TCA right wobj	170 330 02 07	c:15.2
5	49023	tie rod	170 463 00 15	c:14.6 L:1308	13	849678	silentblock for TCA	Part of	di:19.8 do:50.2 (*)
6	49339	tie rod	170 463 01 15	c:14.6 L:1308	14	849603	silentblock for TCA	202 333 64 14	di:20.1 do:60 (*)
7	49336	tie rod end	001 330 77 35	c:14.6 th:FM12X1.25R	15	849677 SET	silentblock kit	170 330 00 75	
8	49378	TCA left wbj	210 330 87 07	c:12.6	16	49383	ball joint	211 330 03 35	c:15.9

SLK (R170)

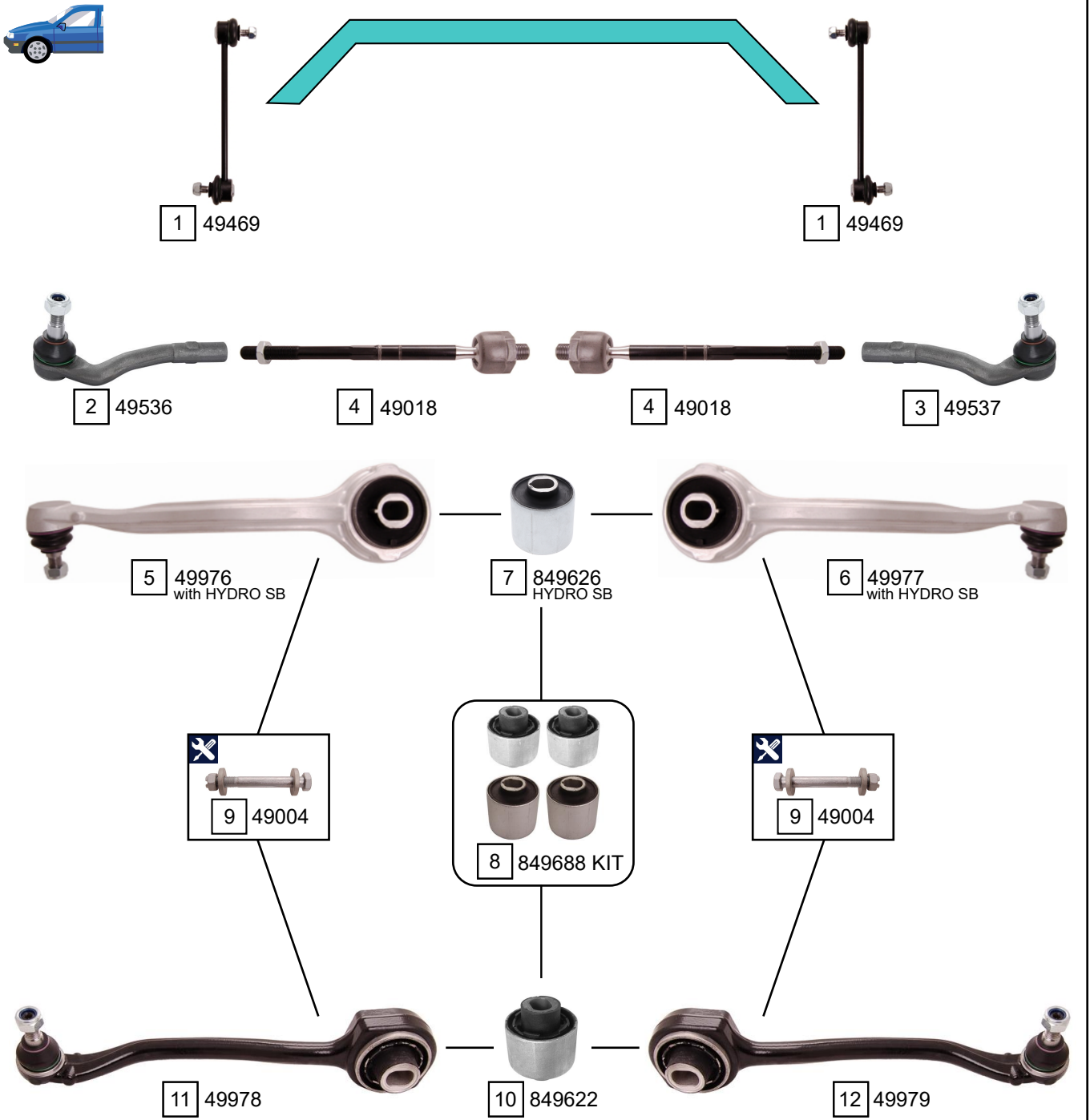
04/1996 - 04/2004



Ref.	Sidem Ref.	Description	OE-number	Measures	Ref.	Sidem Ref.	Description	OE-number	Measures
1	49420	track rod	210 350 33 06	L:247	10	49002	mounting kit	210 350 45 06	
2	49460	track rod	210 350 34 06	L:299	11	849331	mounting axle body	202 351 11 42	di:15 do:66
3	49464	track rod	210 350 38 06	L:314	12	849308	mounting axle body	202 350 34 08	di:18.3 do:82
4	49381	stabiliser link rear axle	210 350 21 53	L:245	13	49001	mounting kit	140 350 11 70	th:M12x1.5R
5	849702	silentblock for TCA	Part of	di:12.1 do:36.2 (*)	14	49382	ball joint rear	204 352 00 27	di:14.2 do:40
6	849703	silentblock for TCA	Part of	di:13.1 do:36.2 (*)	15	R10079	mounting tool ring ø46 ø38	SEE PAGE III	di:38 do:46
7	849701	silentblock for TCA	124 352 35 65	di:12.8 do:36.1 (*)	16	849309	silentblock for TCA	202 352 01 65	di:12 do:33 (*)
8	849704	silentblock for TCA	201 352 88 65	di:12.2 do:31.5 (*)	17	49462	stabiliser link rear axle	124 320 02 89	L:200
9	49562	set TCA	210 350 21 53 S1		18	849901	stabiliser mounting	124 326 01 81	di:15.5

SLK (R171)

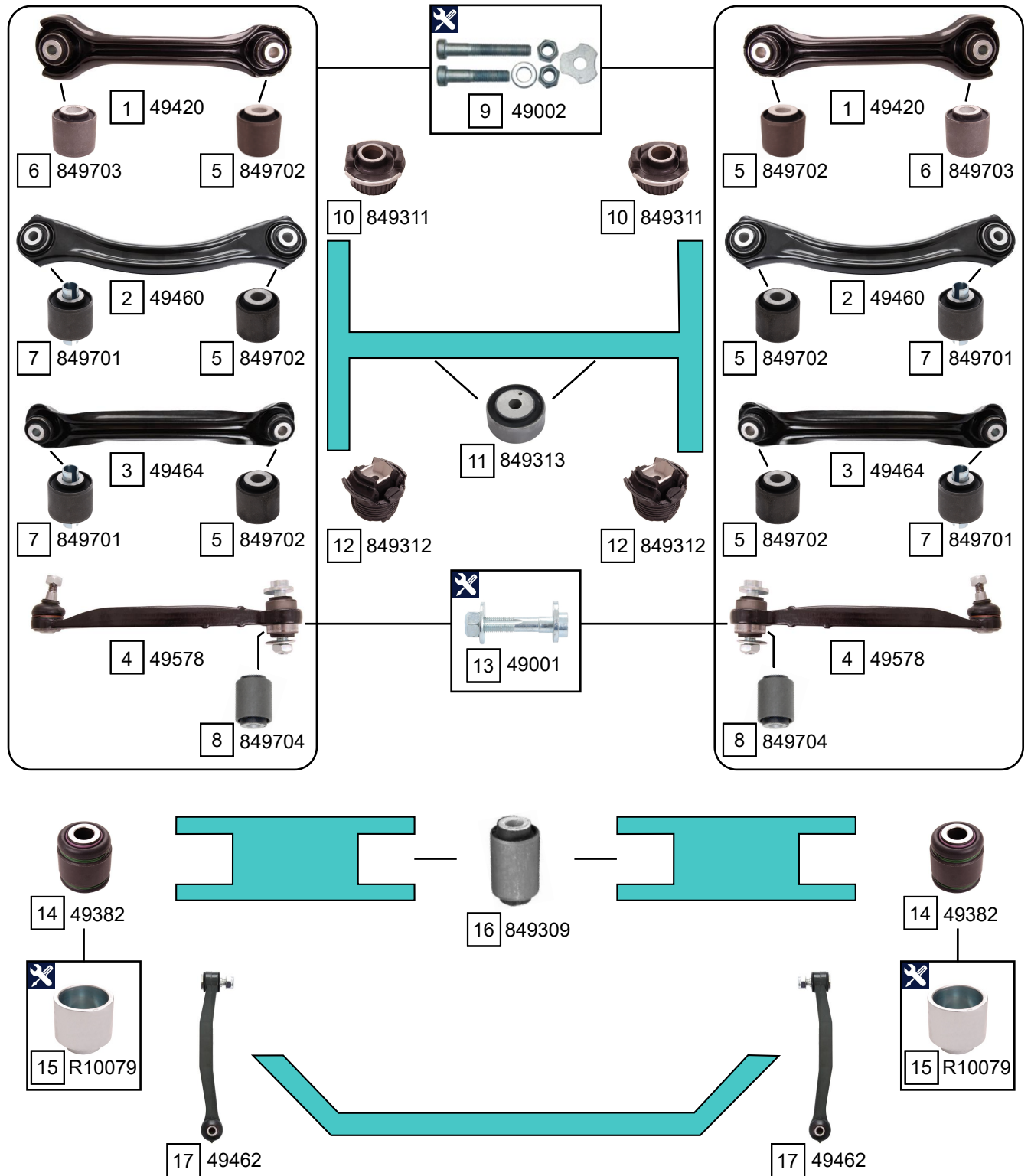
03/2004 - 02/2011



Ref.	Sidem Ref.	Description	OE-number	Measures	Ref.	Sidem Ref.	Description	OE-number	Measures
1	49469	stabiliser link	171 323 00 17	L:255	7	849626	silentblock for TCA	203 333 10 14	di:17.4 do:70.2 (*)
2	49536	tie rod end left	203 330 39 03	c:16 th:FM14X1.5R	8	849688 KIT	silentblock kit	203 333 09 14 S1	
3	49537	tie rod end right	203 330 40 03	c:16 th:FM14X1.5R	9	49004	mounting kit	000 330 00 18	th:M14X.15 L:120
4	49018	axial joint	171 338 00 15	th:MM16X1.5R L:266	10	849622	silentblock for TCA	203 333 09 14	di:10.2 do:70.5 (*)
5	49976	TCA left wbj	204 330 43 11 S1	c:16.3	11	49978	TCA left wbj	204 330 19 11	c:16.3
6	49977	TCA right wbj	204 330 44 11 S1	c:16.3	12	49979	TCA right wbj	204 330 20 11	c:16.3

SLK (R171)

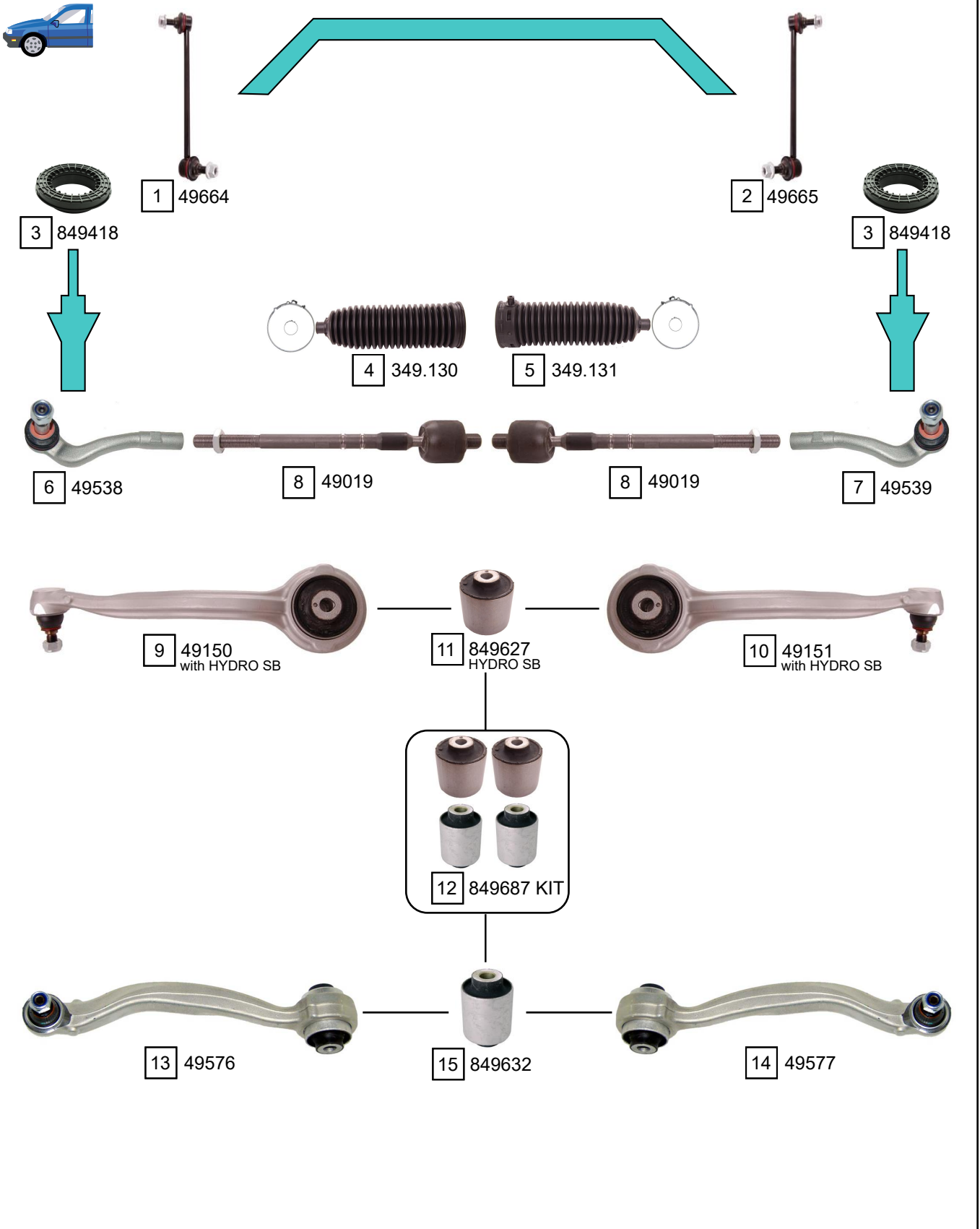
03/2004 - 02/2011



Ref.	Sidem Ref.	Description	OE-number	Measures	Ref.	Sidem Ref.	Description	OE-number	Measures
1	49420	track rod	210 350 33 06	L:247	10	849311	mounting axle body	171 351 01 42	di:17.5 do:77
2	49460	track rod	210 350 34 06	L:299	11	849313	mounting axle body	129 351 21 42	di:14.4 do:66.2
3	49464	track rod	210 350 38 06	L:314	12	849312	mounting axle body	203 351 01 42	di:13.2 do:91
4	49578	TCA	203 350 07 53	c:11.3	13	49001	mounting kit	140 350 11 70	th:M12x1.5R
5	849702	silentblock for TCA	Part of	di:12.1 do:36.2 (*)	14	49382	ball joint rear	204 352 00 27	di:14.2 do:40
6	849703	silentblock for TCA	Part of	di:13.1 do:36.2 (*)	15	R10079	mounting tool ring ø46 ø38	SEE PAGE III	di:38 do:46
7	849701	silentblock for TCA	124 352 35 65	di:12.8 do:36.1 (*)	16	849309	silentblock for TCA	202 352 01 65	di:12 do:33 (*)
8	849704	silentblock for TCA	201 352 88 65	di:12.2 do:31.5 (*)	17	49462	stabiliser link rear axle	124 320 02 89	L:200
9	49002	mounting kit	210 350 45 06						

SLK (R172)

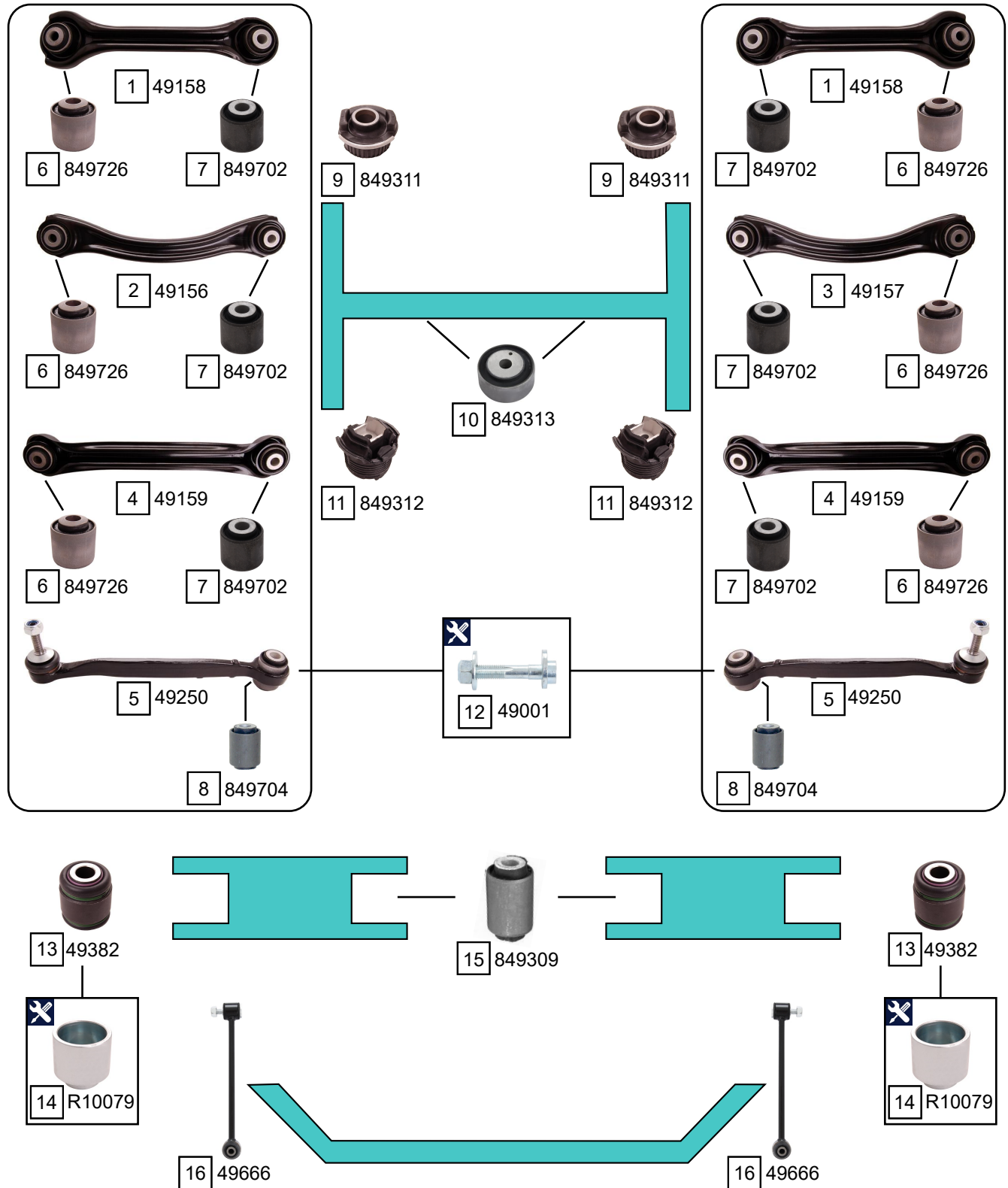
02/2011 ->



Ref.	Sidem Ref.	Description	OE-number	Measures	Ref.	Sidem Ref.	Description	OE-number	Measures
1	49664	stabiliser link left	172 323 01 17	L:257	9	49150	TCA left wbj	204 330 87 11	c:16.3
2	49665	stabiliser link right	172 323 02 17	L:257	10	49151	TCA right wbj	204 330 88 11	c:16.3
3	849418	bearing	204 981 00 25	di:82 do:126.5 L:36.4	11	849627	silentblock for TCA	204 333 11 14	di:14.8 do:70.2 (*)
4	349.130	steering rack gaiter	203 463 03 96	D:60 d:14 L:215	12	849687 KIT	silentblock kit	204 333 11 14 S1	
5	349.131	steering rack gaiter	204 463 02 96	D:63 d:14 L:230	13	49576	TCA left wbj	204 330 67 11	c:16.3
6	49538	tie rod end left	204 330 09 03	c:16 th:FM14x1.5R	14	49577	TCA right wbj	204 330 68 11	c:16.3
7	49539	tie rod end right	204 330 10 03	c:16 th:FM14x1.5R	15	849632	silentblock for TCA	Part of	di:14.3 do:53.1 (*)
8	49019	axial joint	204 338 06 15	th:MM16X1.5R L:275					

SLK (R172)

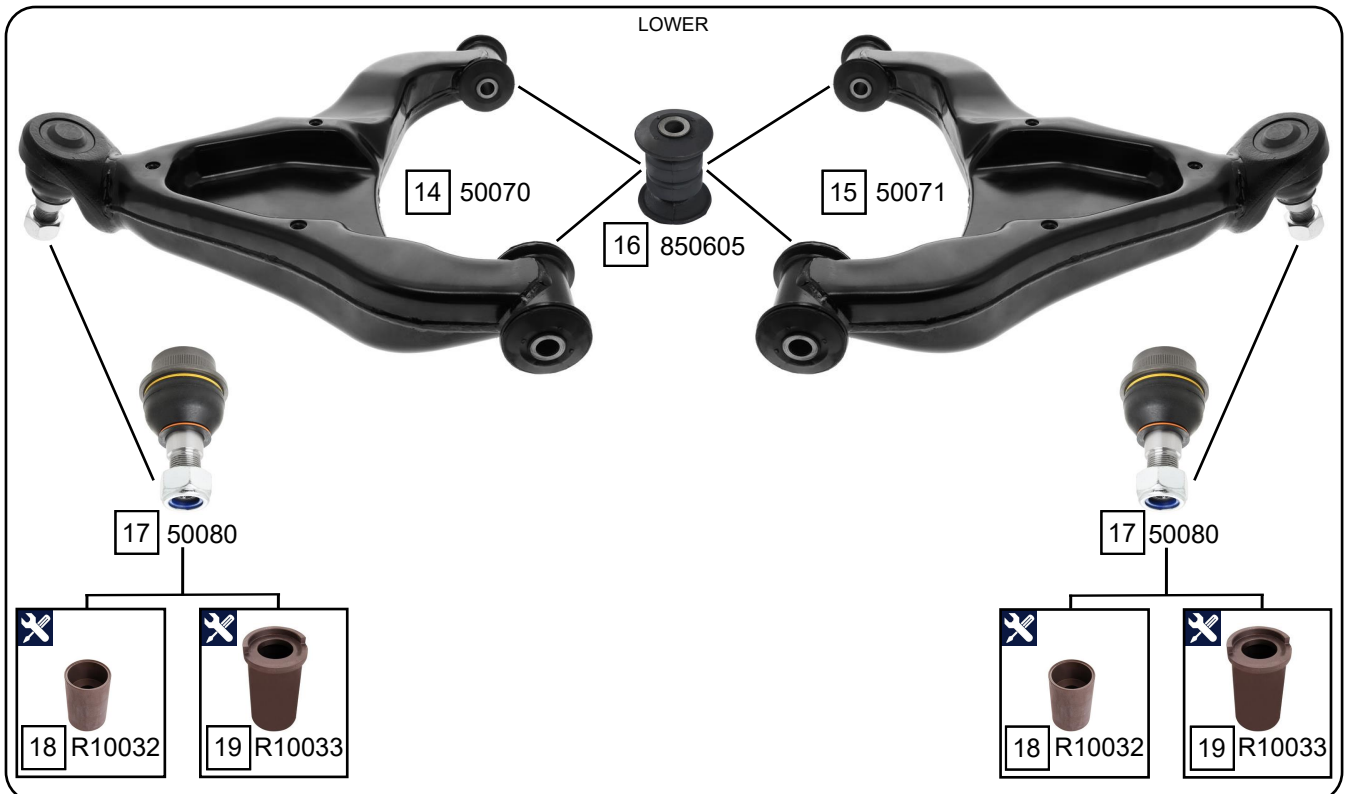
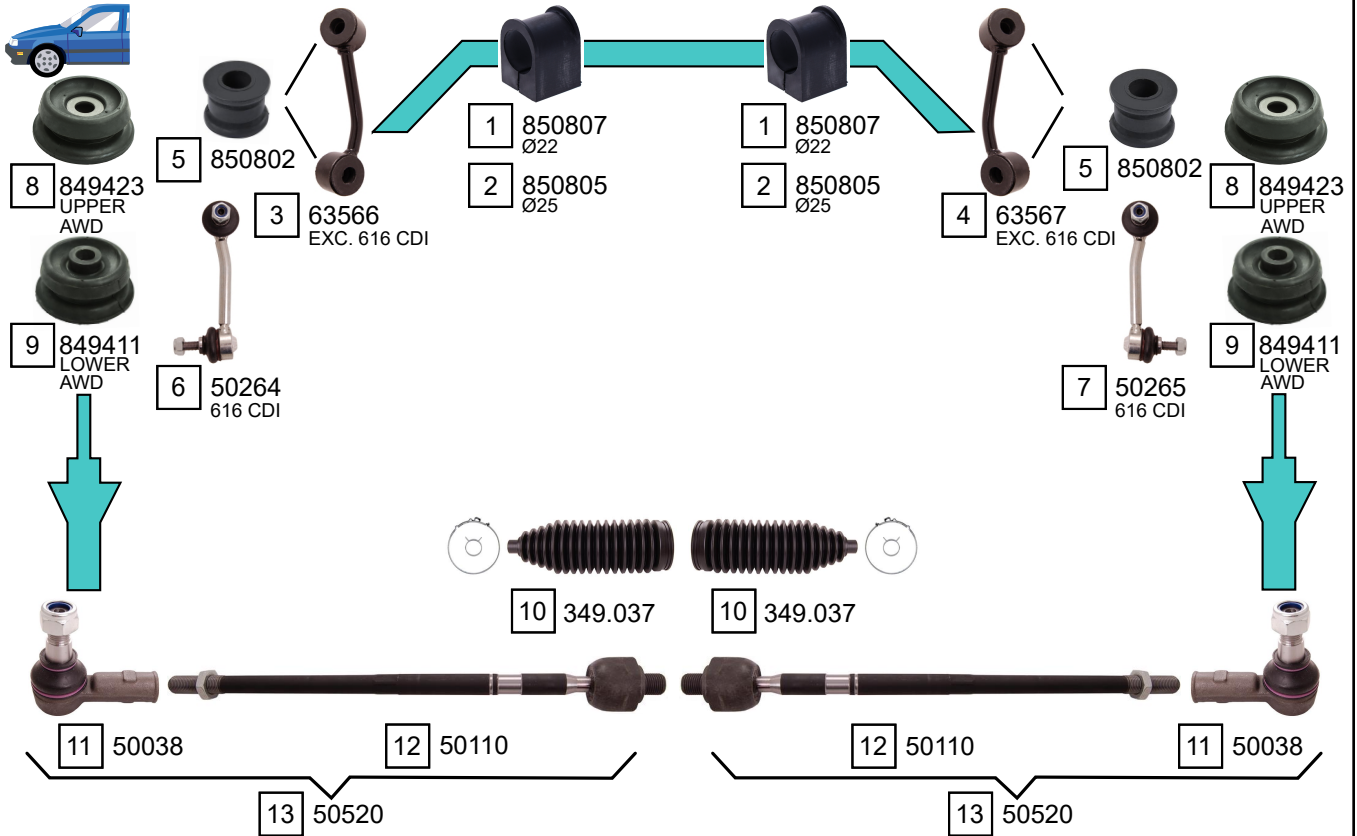
02/2011 ->



Ref.	Sidem Ref.	Description	OE-number	Measures	Ref.	Sidem Ref.	Description	OE-number	Measures
1	49158	track rod	172 350 04 06	L:247	9	849311	mounting axle body	171 351 01 42	di:17.5 do:77
2	49156	track rod	172 350 01 06	L:299	10	849313	mounting axle body	129 351 21 42	di:14.4 do:66.2
3	49157	track rod	172 350 02 06	L:299	11	849312	mounting axle body	203 351 01 42	di:13.2 do:91
4	49159	track rod	172 350 03 06	L:314	12	49001	mounting kit	140 350 11 70	th:M12x1.5R
5	49250	track rod	172 350 01 53	L:257	13	49382	ball joint rear	204 352 00 27	di:14.2 do:40
6	849726	silentblock for TCA	Part of	di:12.1 do:36.2 (*)	14	R10079	mounting tool ring ø46 ø38	SEE PAGE III	di:38 do:46
7	849702	silentblock for TCA	Part of	di:12.1 do:36.2 (*)	15	849309	silentblock for TCA	202 352 01 65	di:12 do:33 (*)
8	849704	silentblock for TCA	201 352 88 65	di:12.2 do:31.5 (*)	16	49666	stabiliser link	172 320 00 89	L:240

SPRINTER (901-902-903-904-905)

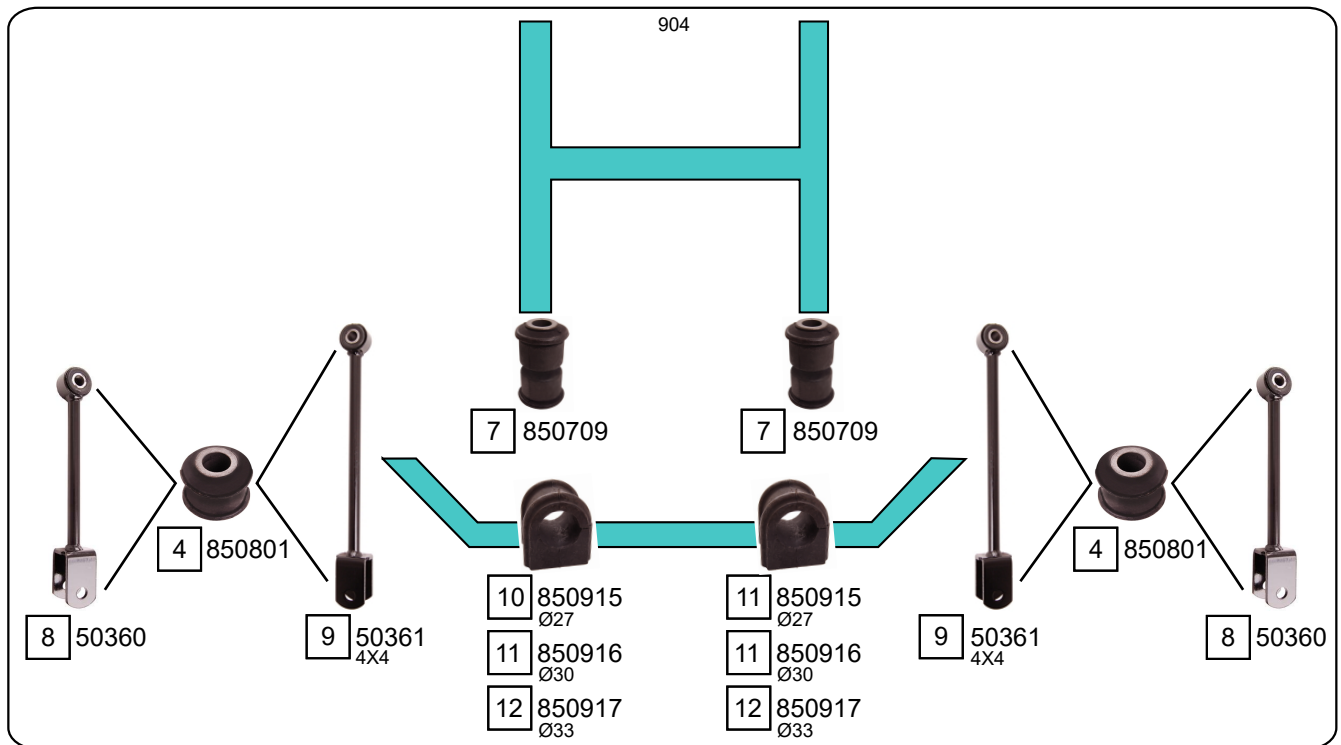
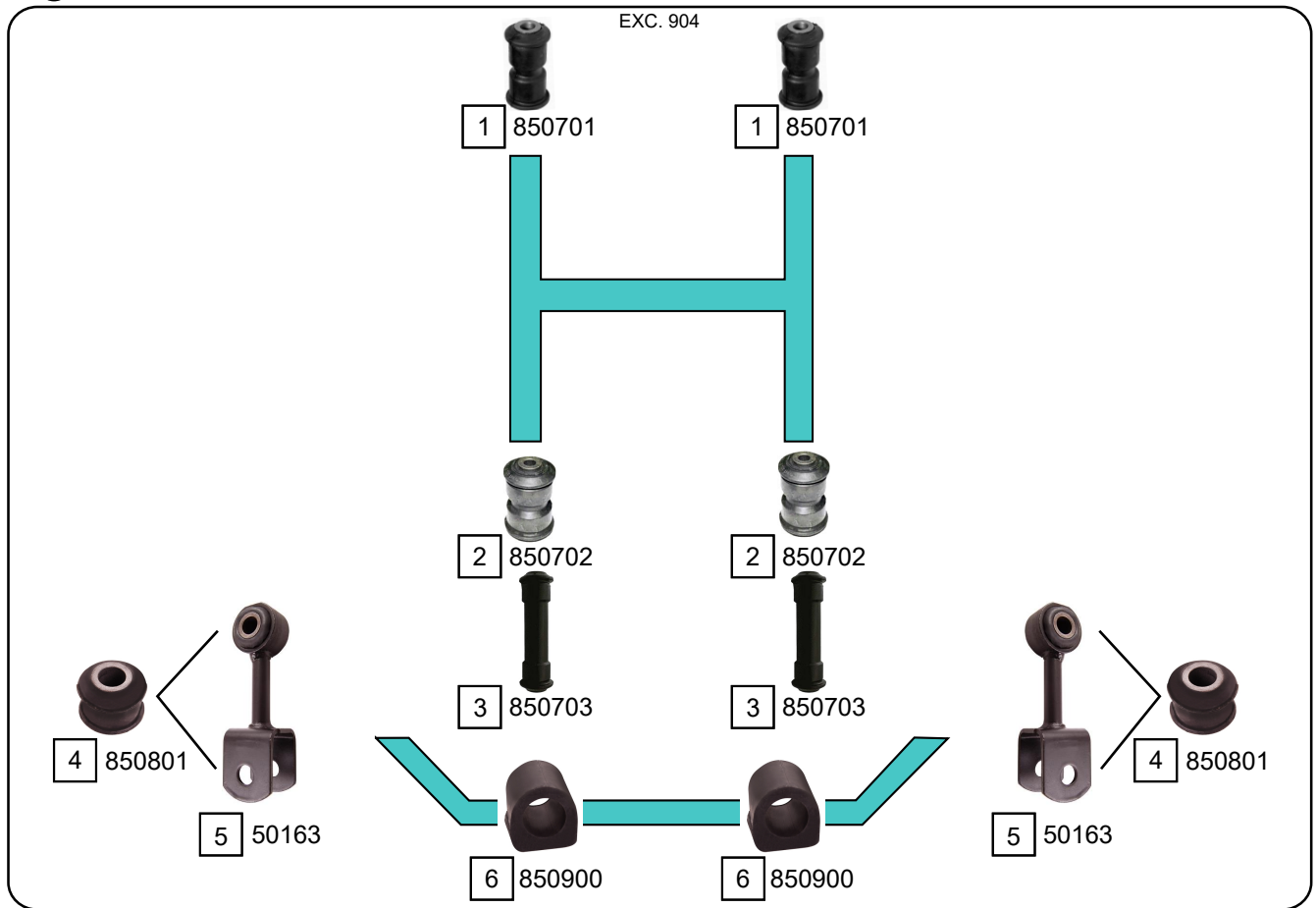
12/1994 - 05/2006



Ref.	Sidem Ref.	Description	OE-number	Measures	Ref.	Sidem Ref.	Description	OE-number	Measures
1	850807	stabiliser mounting	901 323 01 85	di:22	11	50038	tie rod end	901 460 01 48	c:18 th:FM16X1.5R
2	850805	stabiliser mounting	904 323 00 85	di:24.5	12	50110	axial joint	Part of	th:MM16X1.5R L:385
3	63566	stabiliser link left	901 320 02 89	L:115	13	50520	tie rod	901 460 02 05	c:18 L:460
4	63567	stabiliser link right	901 320 03 89	L:115	14	50070	TCA left wbj	901 330 24 07	c:23.4
5	850802	stabiliser mounting	901 323 02 85	di:13.5	15	50071	TCA right wbj	901 330 25 07	c:23.4
6	50264	stabiliser link left	905 320 04 89	L:129	16	850605	silentblock for TCA	901 333 02 14	di:14.2 do:43.2 (*)
7	50265	stabiliser link right	905 320 05 89	L:129	17	50080	ball joint	901 333 12 27	c:23.4 do:45.3
8	849423	strut mount	901 323 00 85	di:16.2 do:86 L:33	18	R10032	mounting tool	Part of	di:56 do:65
9	849411	strut mount	901 323 11 85	di:16.2 do:84 L:37	19	R10033	mounting tool	Part of	di:50 do:90
10	349.037	steering rack gaiter	901 460 55 00	D:56 d:14 L:195					

SPRINTER (901-902-903-904-905)

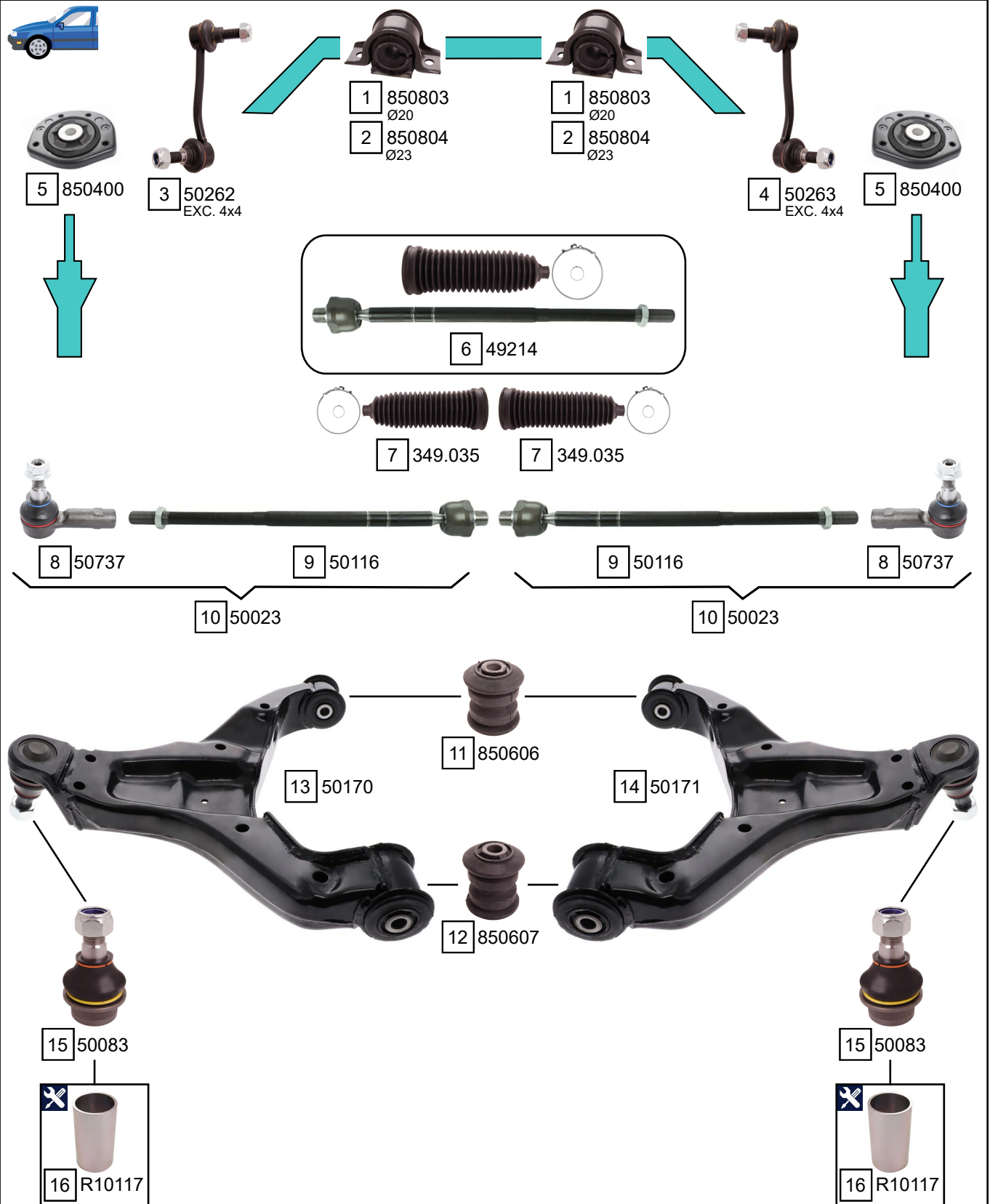
12/1994 - 05/2006



Ref.	Sidem Ref.	Description	OE-number	Measures	Ref.	Sidem Ref.	Description	OE-number	Measures
1	850701	spring bush	901 324 01 50	di:12.1 do:32	7	850709	spring bush	000 321 02 50	di:16.1 do:39
2	850702	spring bush	901 324 03 50	di:12 do:50	8	50360	stabiliser link rear axle	901 320 05 89	L:230
3	850703	spring bush	901 324 00 50	di:12 do:22	9	50361	stabiliser link rear axle	901 320 06 89	L:300
4	850801	stabiliser mounting	601 321 03 50	di:12	10	850915	stabiliser mounting	904 326 08 81	di:27
5	50163	stabiliser link rear axle	901 320 00 89	L:95	11	850916	stabiliser mounting	904 326 09 81	di:30
6	850900	stabiliser mounting	901 326 00 81	di:22	12	850917	stabiliser mounting	904 326 10 81	di:33

SPRINTER (906)

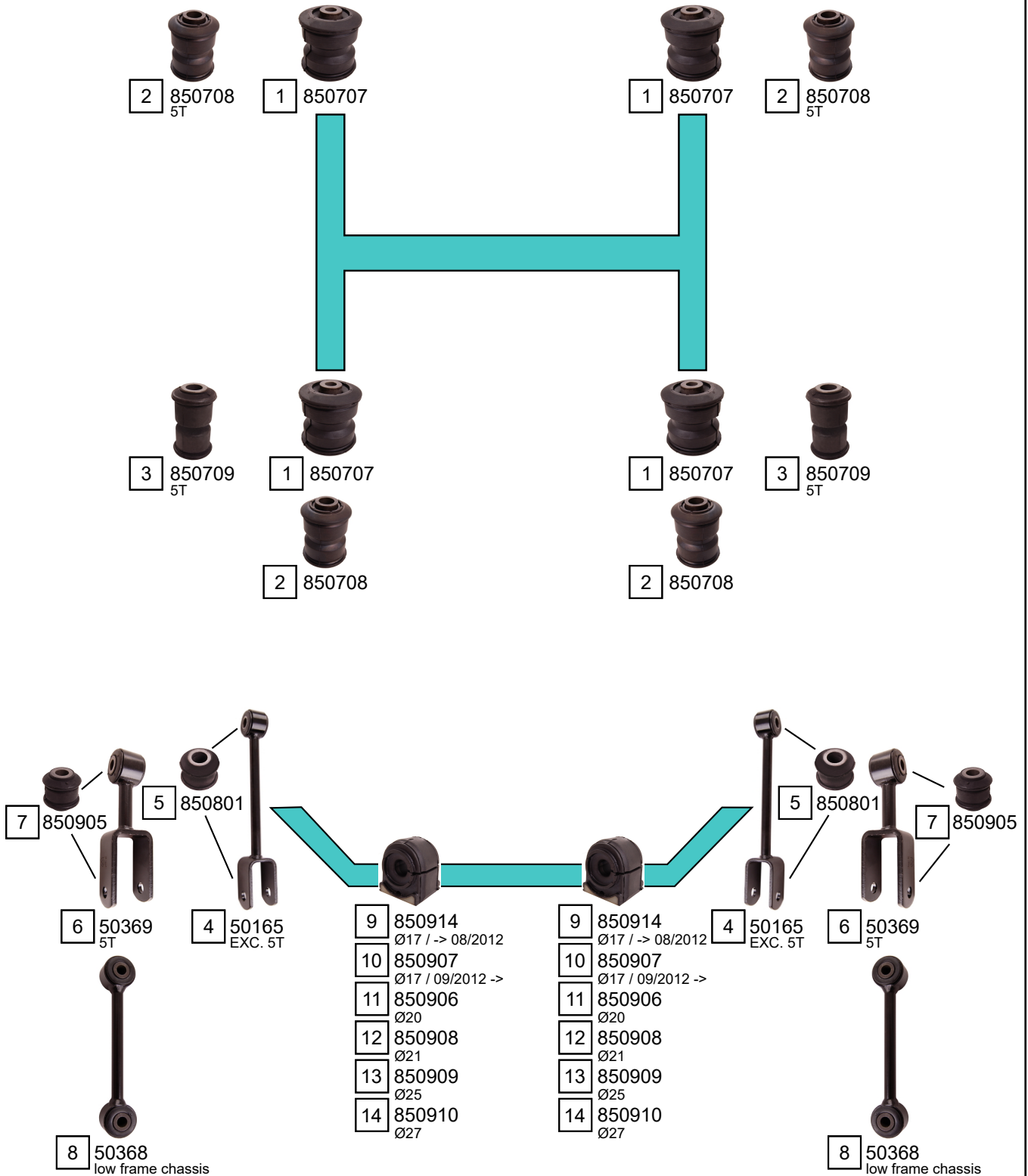
06/2006 ->



Ref.	Sidem Ref.	Description	OE-number	Measures	Ref.	Sidem Ref.	Description	OE-number	Measures
1	850803	stabiliser mounting	906 323 35 85 S1	di:16.5	9	50116	axial joint	Part of	th:MM18X1.5R L:400
2	850804	stabiliser mounting	906 323 36 85 S1	di:21	10	50023	tie rod	906 460 03 48 S1	c:16.8
3	50262	stabiliser link left	906 320 17 89	L:138	11	850606	silentblock for TCA	906 333 00 14	di:14.2 (*)
4	50263	stabiliser link right	906 320 18 89	L:138	12	850607	silentblock for TCA	906 333 01 14	di:14.2 (*)
5	850400	strut mount	906 323 05 20	di:16.4 L:46	13	50170	TCA left wbj	906 330 40 07	c:21.9
6	49214	axial joint kit	906 460 01 55	D:67 th:MM16X1.5R	14	50171	TCA right wbj	906 330 41 07	c:21.9
7	349.035	steering rack gaiter	164 460 00 96	D:67 d:16 L:218	15	50083	ball joint	Part of	c:21.9 do:45.3
8	50737	tie rod end	906 460 03 48	c:16.8 th:FM16X1.5R	16	R10117	mounting tool ring long ø64	SEE PAGE III	di:56 do:64

SPRINTER (906)

06/2006 ->

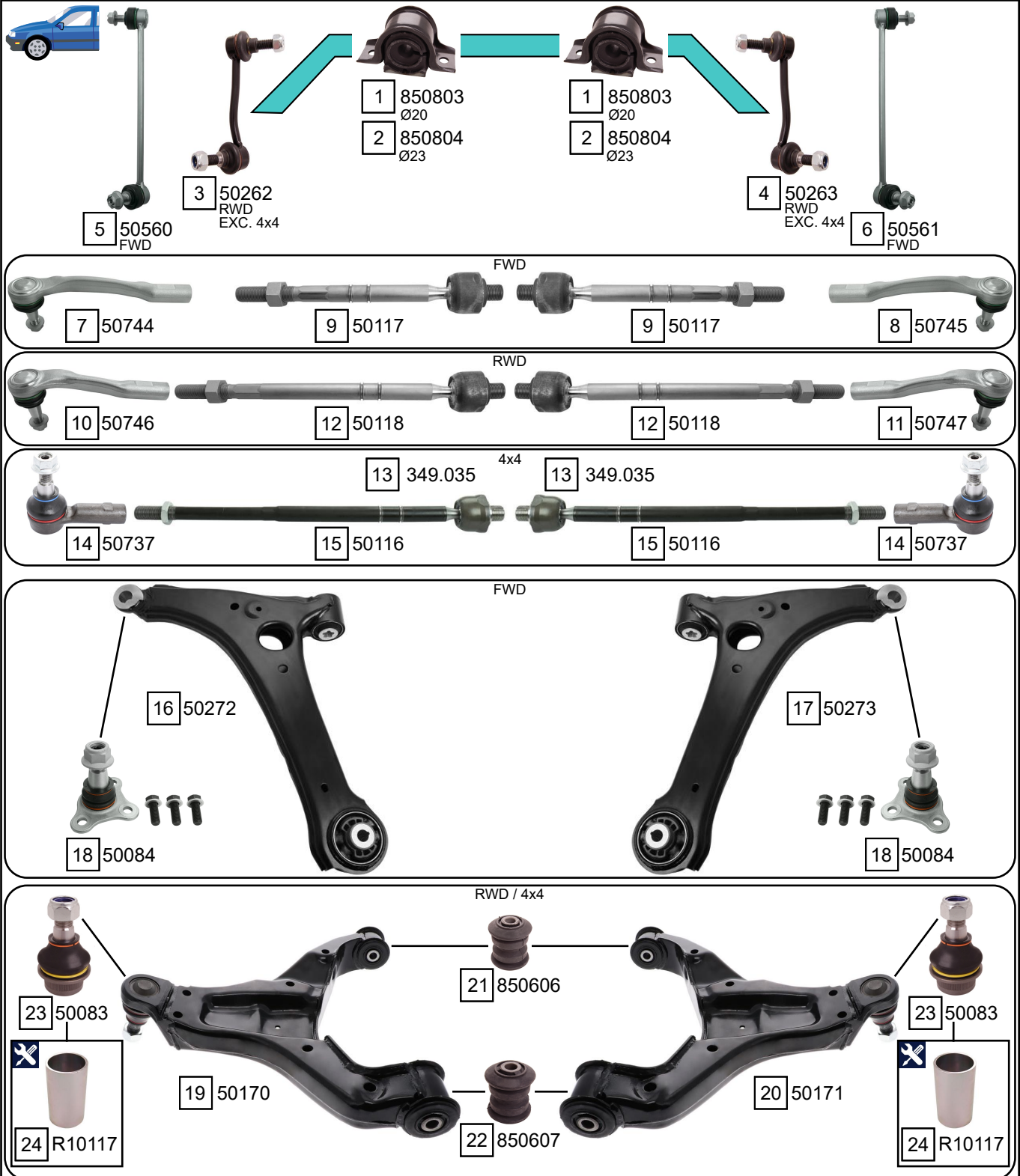


Ref.	Sidem Ref.	Description	OE-number	Measures	Ref.	Sidem Ref.	Description	OE-number	Measures
1	850707	spring bush	906 324 00 50	di:12.1 do:63	8	50368	stabiliser link rear axle	906 326 11 16	L:155
2	850708	spring bush	611 324 03 50	di:16.1 do:50	9	850914	stabiliser mounting	906 326 07 81	di:15.5
3	850709	spring bush	000 321 02 50	di:16.1 do:39	10	850907	stabiliser mounting	906 326 21 81	di:11.5
4	50165	stabiliser link rear axle	906 320 13 89	L:213	11	850906	stabiliser mounting	906 323 35 85	di:16
5	850801	stabiliser mounting	601 321 03 50	di:12	12	850908	stabiliser mounting	906 326 22 81	di:18
6	50369	stabiliser link	906 320 14 89	L:140	13	850909	stabiliser mounting	906 326 23 81	di:22
7	850905	stabiliser mounting	667 320 00 73	di:12.1	14	850910	stabiliser mounting	906 326 24 81	di:25

MERCEDES SPRINTER

SPRINTER (907, 910)

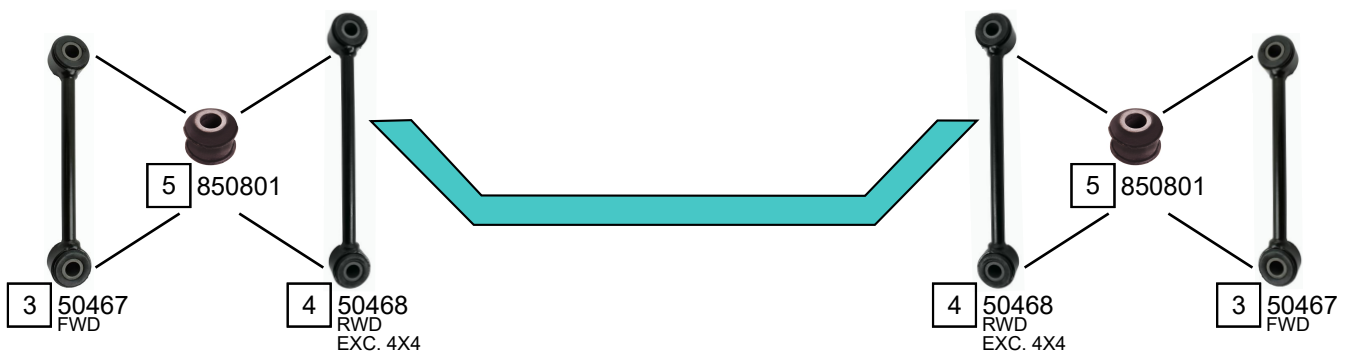
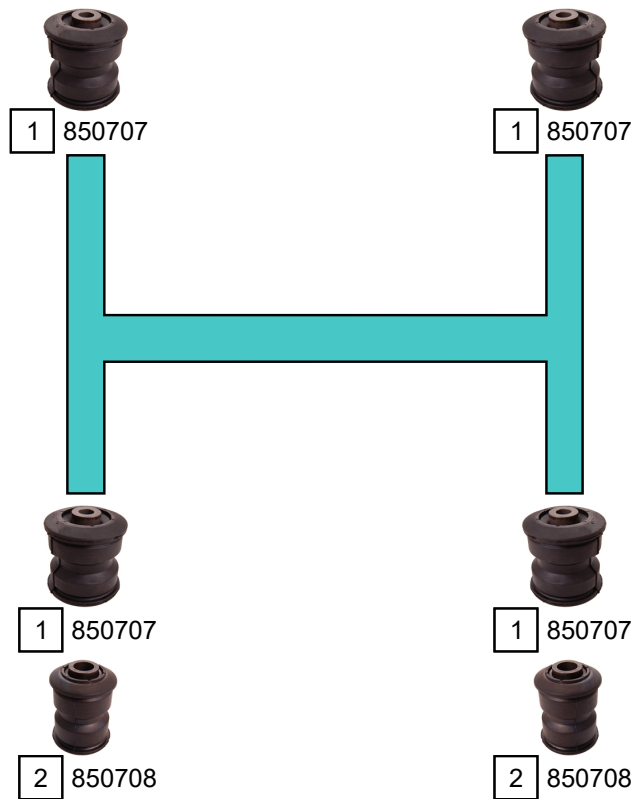
02/2018 ->



Ref.	Sidem Ref.	Description	OE-number	Measures	Ref.	Sidem Ref.	Description	OE-number	Measures
1	850803	stabiliser mounting	906 323 35 85 S1	di:16.5	13	349.035	steering rack gaiter	164 460 00 96	D:67 d:16 L:218
2	850804	stabiliser mounting	906 323 36 85 S1	di:21	14	50737	tie rod end	906 460 03 48	c:16.8 th:FM16X1.5R
3	50262	stabiliser link left	906 320 17 89	L:138	15	50116	axial joint	Part of	th:MM18X1.5R L:400
4	50263	stabiliser link right	906 320 18 89	L:138	16	50272	TCA left wobj	910 330 25 00	
5	50560	stabiliser link left	910 320 30 00	L:286	17	50273	TCA right wobj	910 330 26 00	
6	50561	stabiliser link right	910 320 31 00	L:289	18	50084	ball joint	910 333 04 00 S1	c:21.8
7	50744	tie rod end left	910 460 61 00	c:16 th:FM16X1.5R	19	50170	TCA left wbj	906 330 40 07	c:21.9
8	50745	tie rod end right	910 460 60 00	c:16 th:FM16X1.5R	20	50171	TCA right wbj	906 330 41 07	c:21.9
9	50117	axial joint	910 460 62 00	th:MM16X1.5R L:243	21	850606	silentblock for TCA	906 333 00 14	di:14.2 (*)
10	50746	tie rod end left	907 460 62 00	c:16 th:FM16X1.5R	22	850607	silentblock for TCA	906 333 01 14	di:14.2 (*)
11	50747	tie rod end right	907 460 64 00	c:16 th:FM16X1.5R	23	50083	ball joint	Part of	c:21.9 do:45.3
12	50118	axial joint	907 460 63 00	th:MM16X1.5R L:322	24	R10117	mounting tool ring long ø64	SEE PAGE III	di:56 do:64

SPRINTER (907, 910)

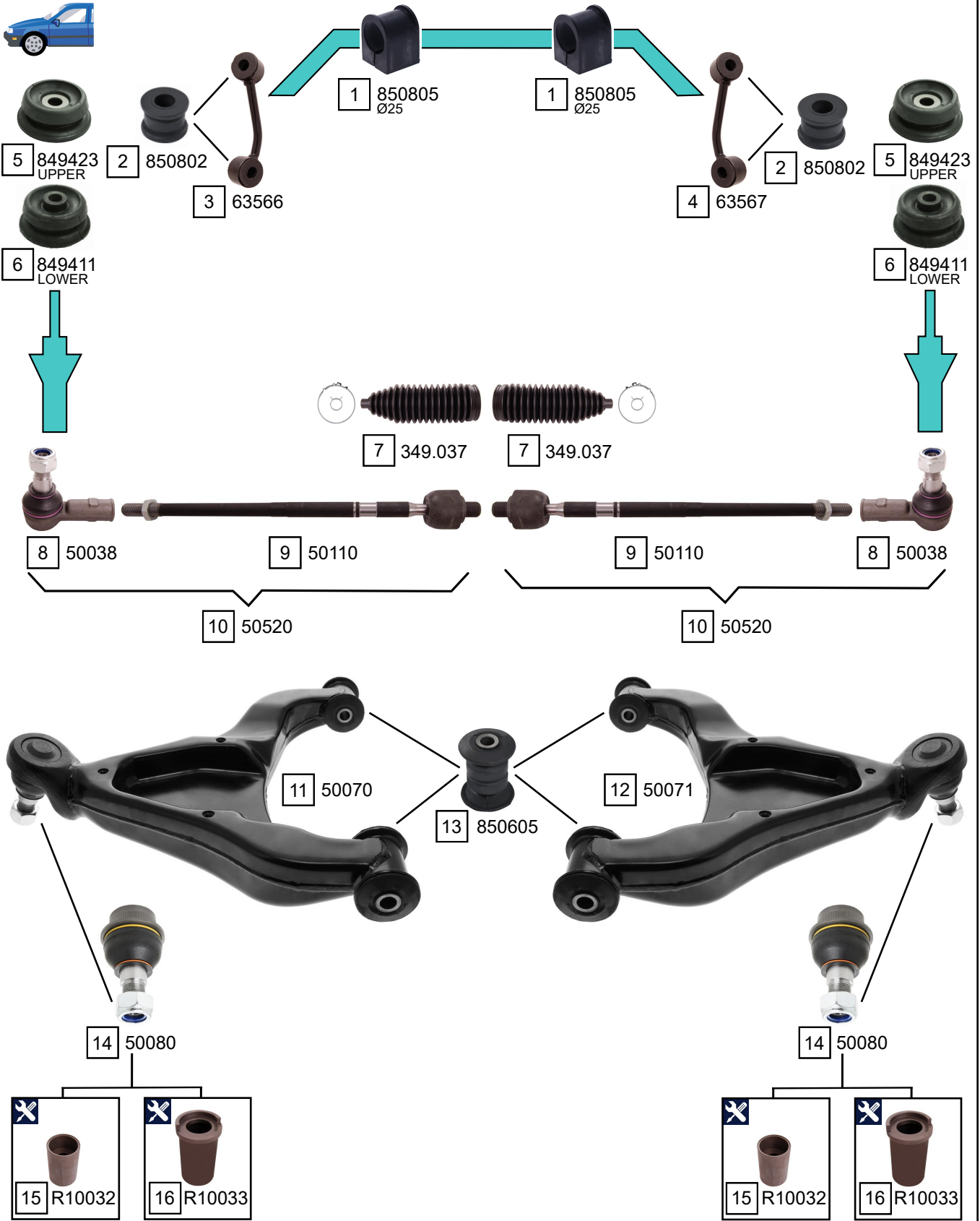
02/2018 ->



Ref.	Sidem Ref.	Description	OE-number	Measures	Ref.	Sidem Ref.	Description	OE-number	Measures
1	850707	spring bush	906 324 00 50	di:12.1 do:63	4	50468	stabiliser link	907 320 36 00	L:212
2	850708	spring bush	611 324 03 50	di:16.1 do:50	5	850801	stabiliser mounting	601 321 03 50	di:12
3	50467	stabiliser link	910 326 12 00	L:185					

SPRINTER CLASSIC (909)

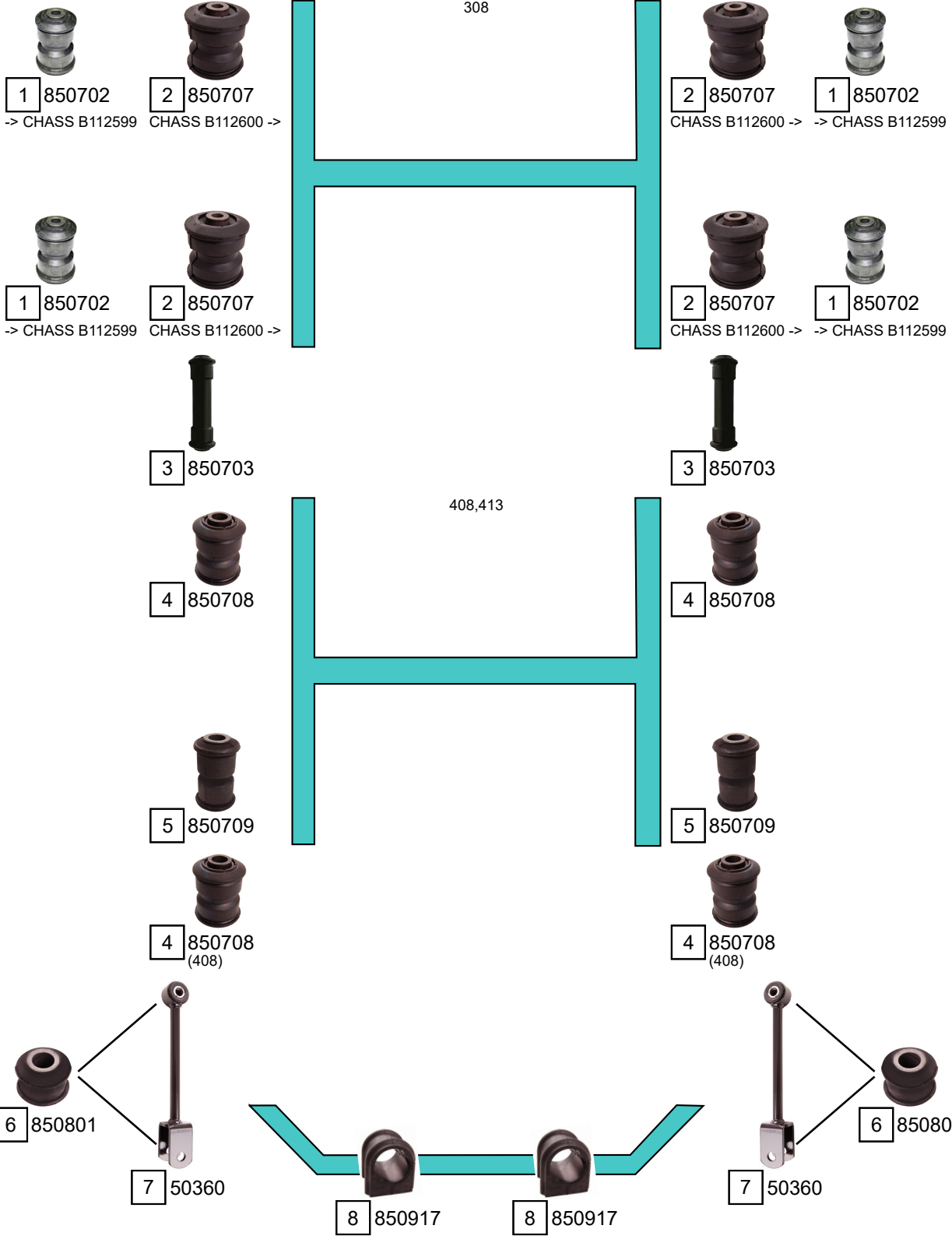
09/2013 ->



Ref.	Sidem Ref.	Description	OE-number	Measures	Ref.	Sidem Ref.	Description	OE-number	Measures
1	850805	stabiliser mounting	904 323 00 85	di:24.5	9	50110	axial joint	Part of	th:MM16X1.5R L:385
2	850802	stabiliser mounting	901 323 02 85	di:13.5	10	50520	tie rod	901 460 02 05	c:18 L:460
3	63566	stabiliser link left	901 320 02 89	L:115	11	50070	TCA left wbj	901 330 24 07	c:23.4
4	63567	stabiliser link right	901 320 03 89	L:115	12	50071	TCA right wbj	901 330 25 07	c:23.4
5	849423	strut mount	901 323 00 85	di:16.2 do:86 L:33	13	850605	silentblock for TCA	901 333 02 14	di:14.2 do:43.2 (*)
6	849411	strut mount	901 323 11 85	di:16.2 do:84 L:37	14	50080	ball joint	901 333 12 27	c:23.4 do:45.3
7	349.037	steering rack gaiter	901 460 55 00	D:56 d:14 L:195	15	R10032	mounting tool	Part of	di:56 do:65
8	50038	tie rod end	901 460 01 48	c:18 th:FM16X1.5R	16	R10033	mounting tool	Part of	di:50 do:90

SPRINTER CLASSIC (909)

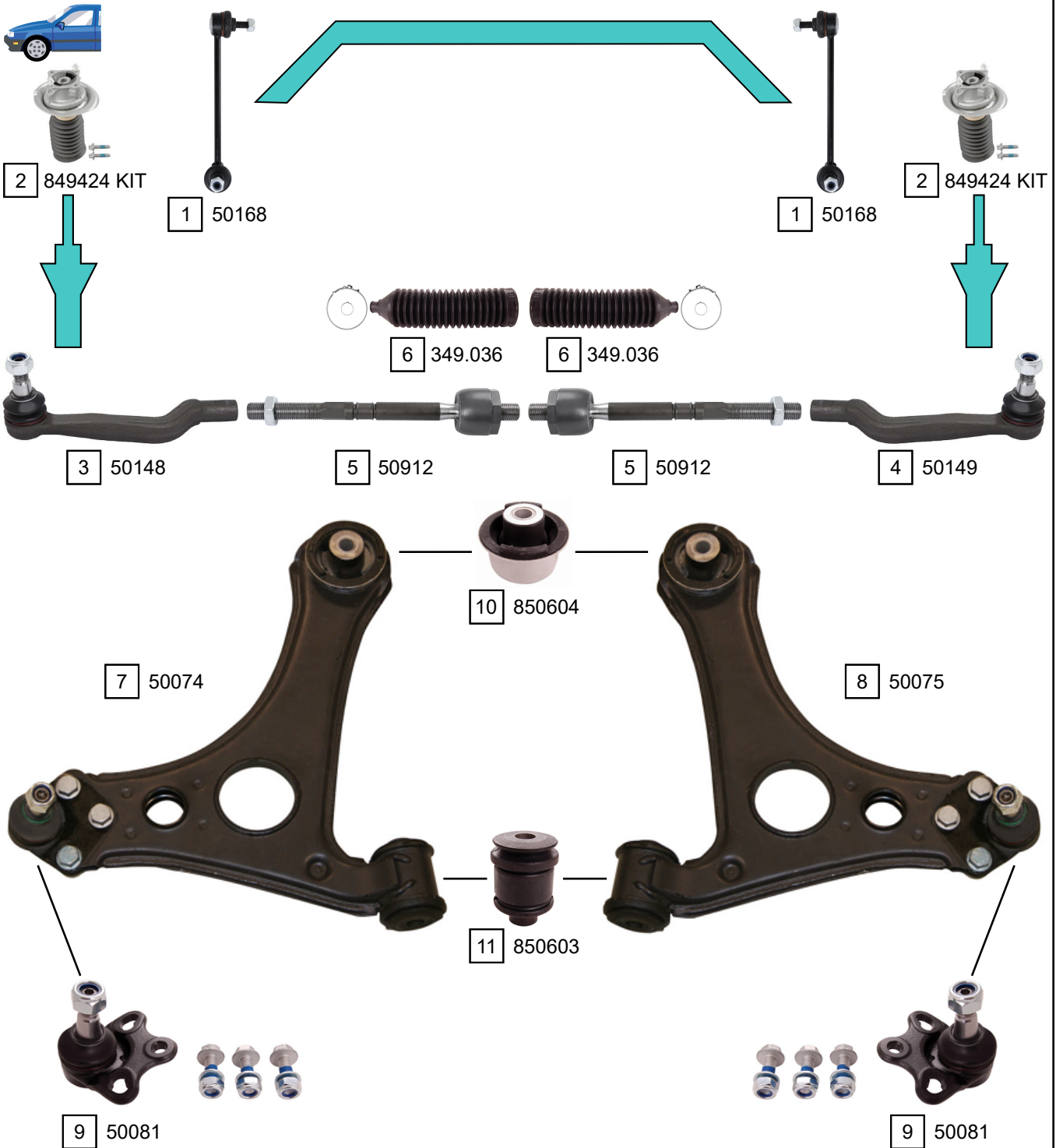
09/2013 ->



Ref.	Sidem Ref.	Description	OE-number	Measures	Ref.	Sidem Ref.	Description	OE-number	Measures
1	850702	spring bush	901 324 03 50	di:12 do:50	5	850709	spring bush	000 321 02 50	di:16.1 do:39
2	850707	spring bush	906 324 00 50	di:12.1 do:63	6	850801	stabiliser mounting	601 321 03 50	di:12
3	850703	spring bush	901 324 00 50	di:12 do:22	7	50360	stabiliser link rear axle	901 320 05 89	L:230
4	850708	spring bush	611 324 03 50	di:16.1 do:50	8	850917	stabiliser mounting	904 326 10 81	di:33

VANEO (414)

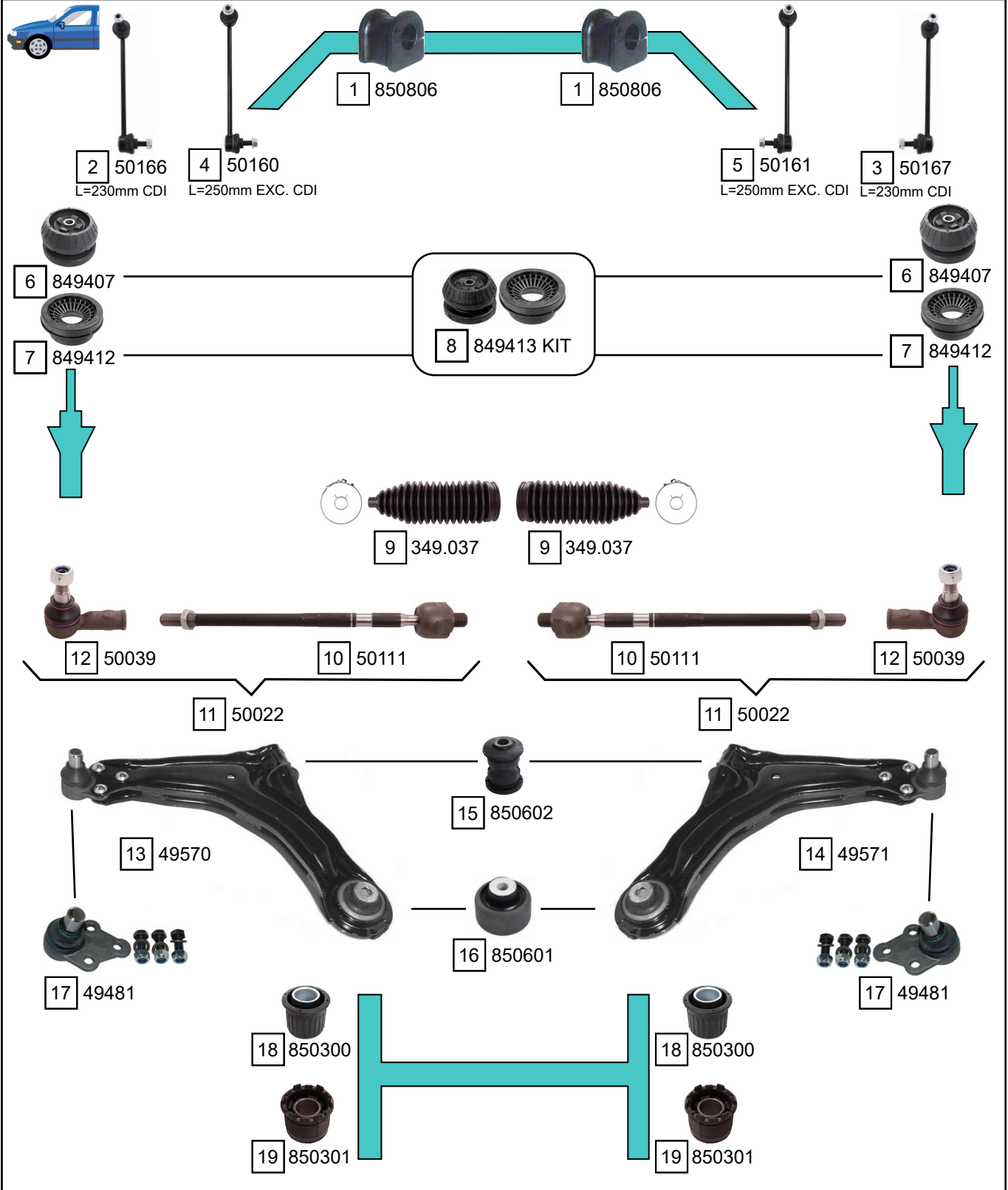
02/2002 - 07/2005



Ref.	Sidem Ref.	Description	OE-number	Measures	Ref.	Sidem Ref.	Description	OE-number	Measures
1	50168	stabiliser link	414 320 03 89	L:207	7	50074	TCA left wbj	414 330 05 07	c:15.4
2	849424 KIT	strut mount kit	414 320 00 44	di:14.8 do:99 L:65	8	50075	TCA right wbj	414 330 06 07	c:15.4
3	50148	tie rod end left	414 460 00 05	c:16.4 th:FM14X1.5R	9	50081	ball joint	414 333 02 27	c:15.4
4	50149	tie rod end right	414 460 01 05	c:16.4 th:FM14X1.5R	10	850604	silentblock for TCA	414 333 00 14	di:13.2 do:59.5 (*)
5	50912	axial joint	414 460 02 05	th:MM14X1.5R L:197	11	850603	silentblock for TCA	414 333 01 14	di:12 do:44.95 (*)
6	349.036	steering rack gaiter	414 460 08 00	D:54 d:14 L:220					

VITO (638)
V-CLASS (638/2)

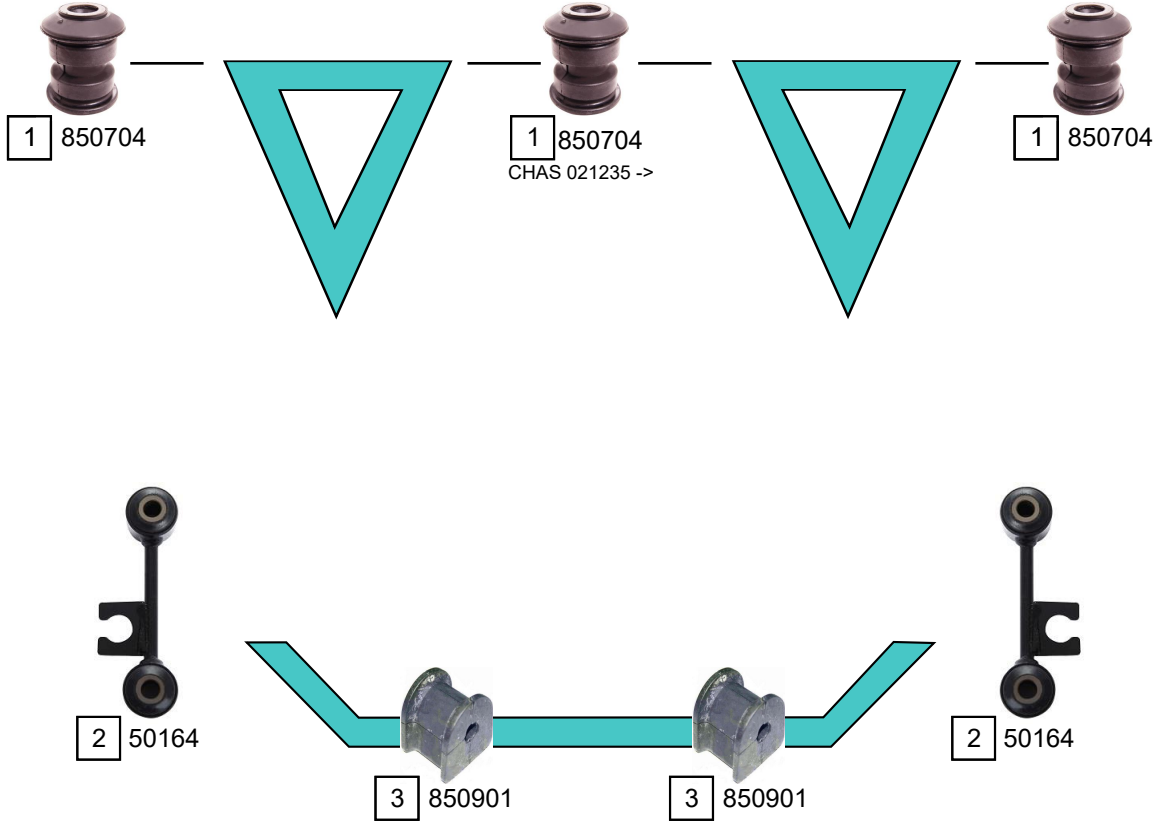
02/1996 - 07/2003
02/1996 - 07/2003



Ref.	Sidem Ref.	Description	OE-number	Measures	Ref.	Sidem Ref.	Description	OE-number	Measures
1	850806	stabiliser mounting	638 323 02 85	di:24	11	50022	tie rod	638 460 02 05	c:16.9
2	50166	stabiliser link left	638 323 04 68	L:230	12	50039	tie rod end	638 460 00 48	c:16.9 th:FM16X1.5R
3	50167	stabiliser link right	638 323 05 68	L:230	13	49570	TCA left wbj	638 330 00 10	c:22
4	50160	stabiliser link left	638 323 02 68	L:250	14	49571	TCA right wbj	638 330 01 10	c:22
5	50161	stabiliser link right	638 323 03 68	L:250	15	850602	silentblock for TCA	638 333 00 14	di:14.1 do:40 (*)
6	849407	strut mount	638 323 04 20	di:14.2 do:112 L:67.5	16	850601	silentblock for TCA	638 333 08 14	di:14.6 do:70.4 (*)
7	849412	bearing	638 981 01 20	di:36 do:106.5 L:44	17	49481	ball joint	Part of	c:22
8	849413 KIT	strut mount kit	638 323 04 20 S1	di:14.2 do:112	18	850300	mounting axle body	638 317 02 12	di:35 do:67
9	349.037	steering rack gaiter	901 460 55 00	D:56 d:14 L:195	19	850301	mounting axle body	638 317 09 12	di:35 do:71
10	50111	axial joint	Part of	th:MM16X1.5R L:343					

VITO (638)
V-CLASS (638/2)

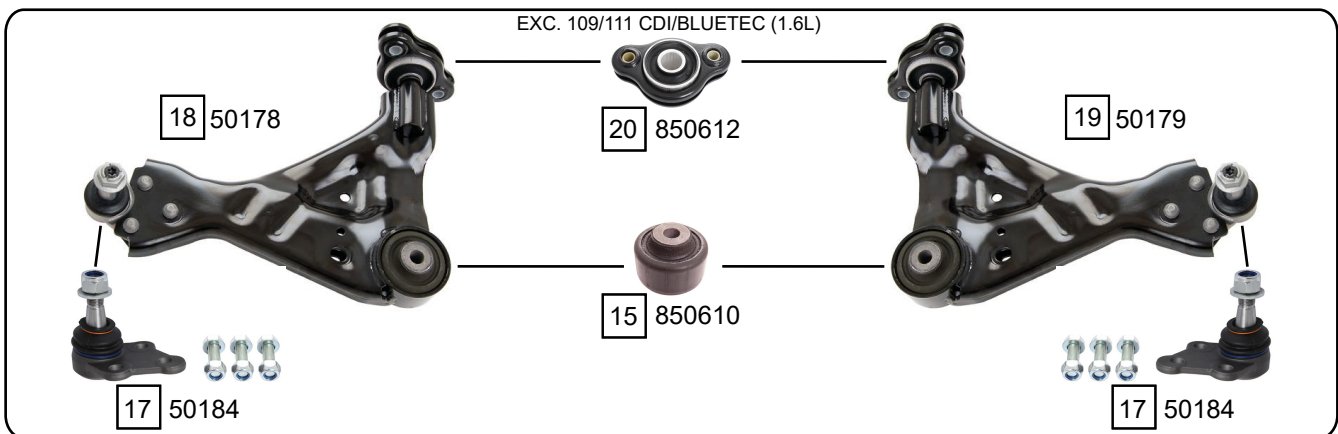
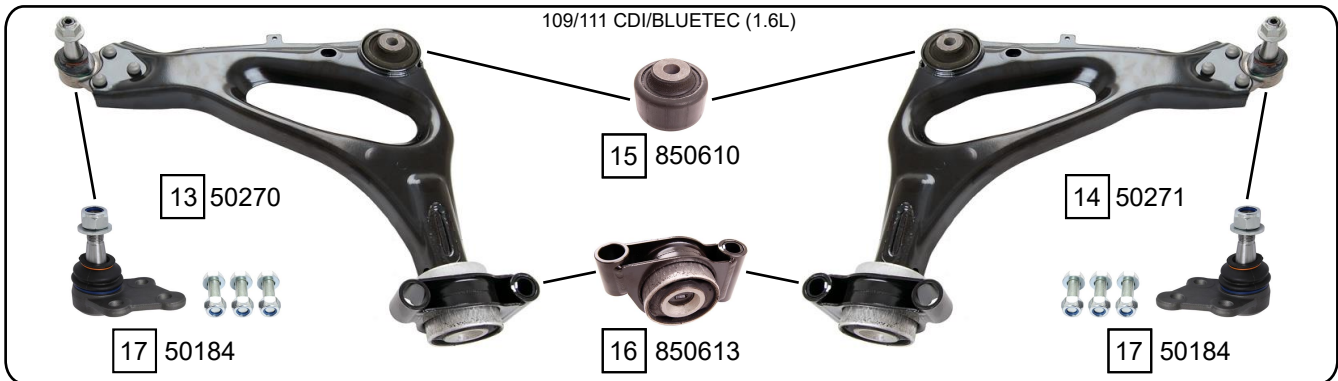
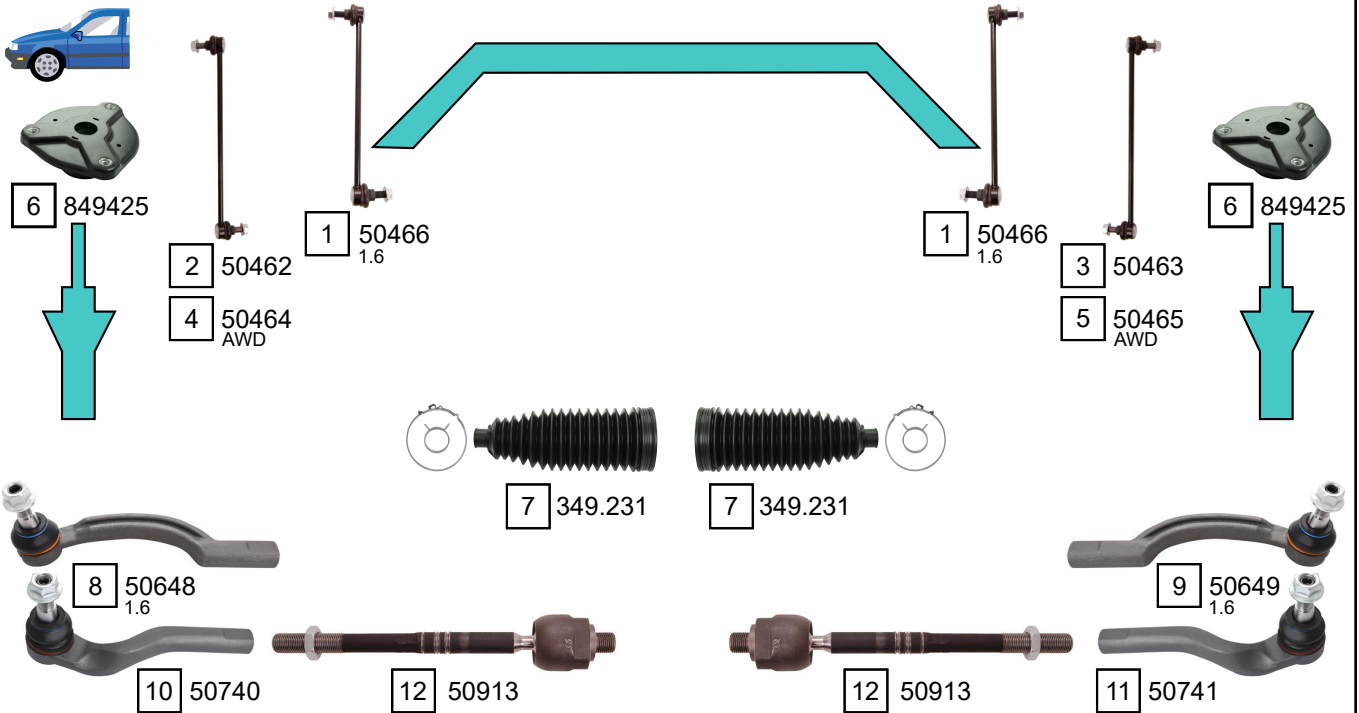
02/1996 - 07/2003
02/1996 - 07/2003



Ref.	Sidem Ref.	Description	OE-number	Measures	Ref.	Sidem Ref.	Description	OE-number	Measures
1	850704	silentblock for TCA	639 353 00 50	di:14.5 (*)	3	850901	stabiliser mounting	638 326 02 81	di:13.5
2	50164	stabiliser link rear axle	638 326 01 16	L:105					

VITO (W447)
V-CLASS (W447)

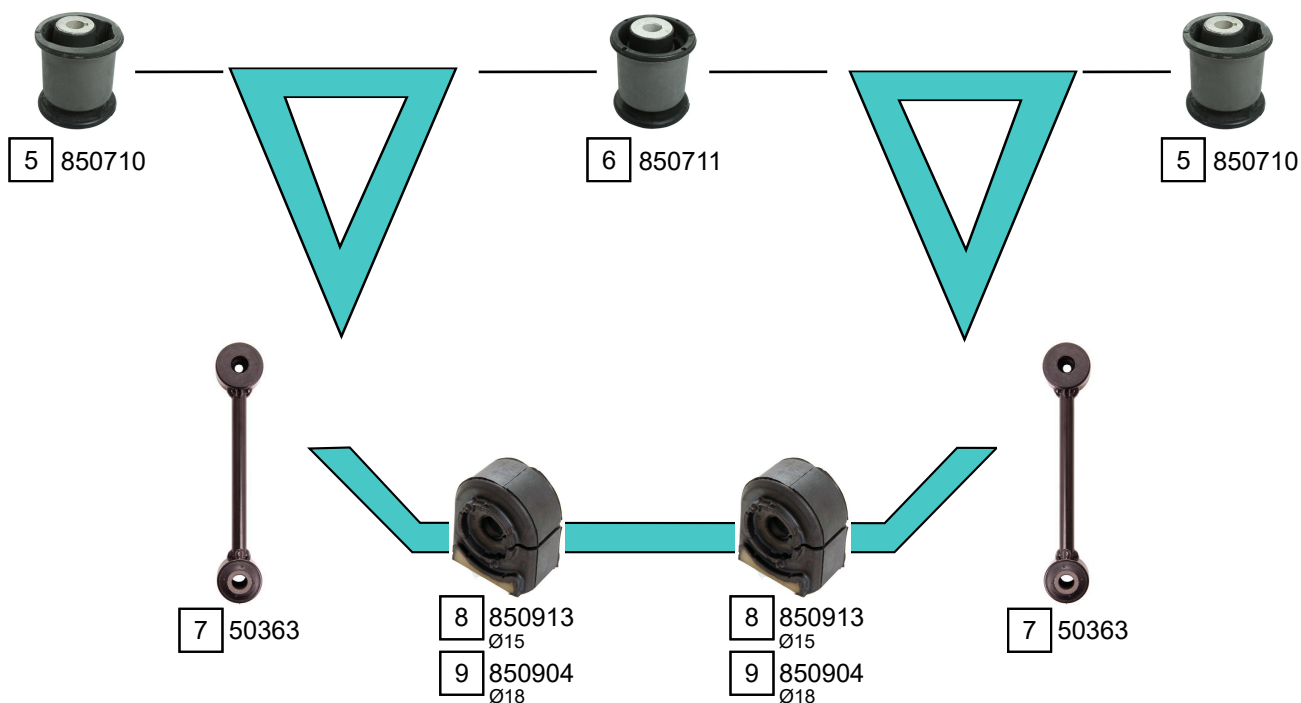
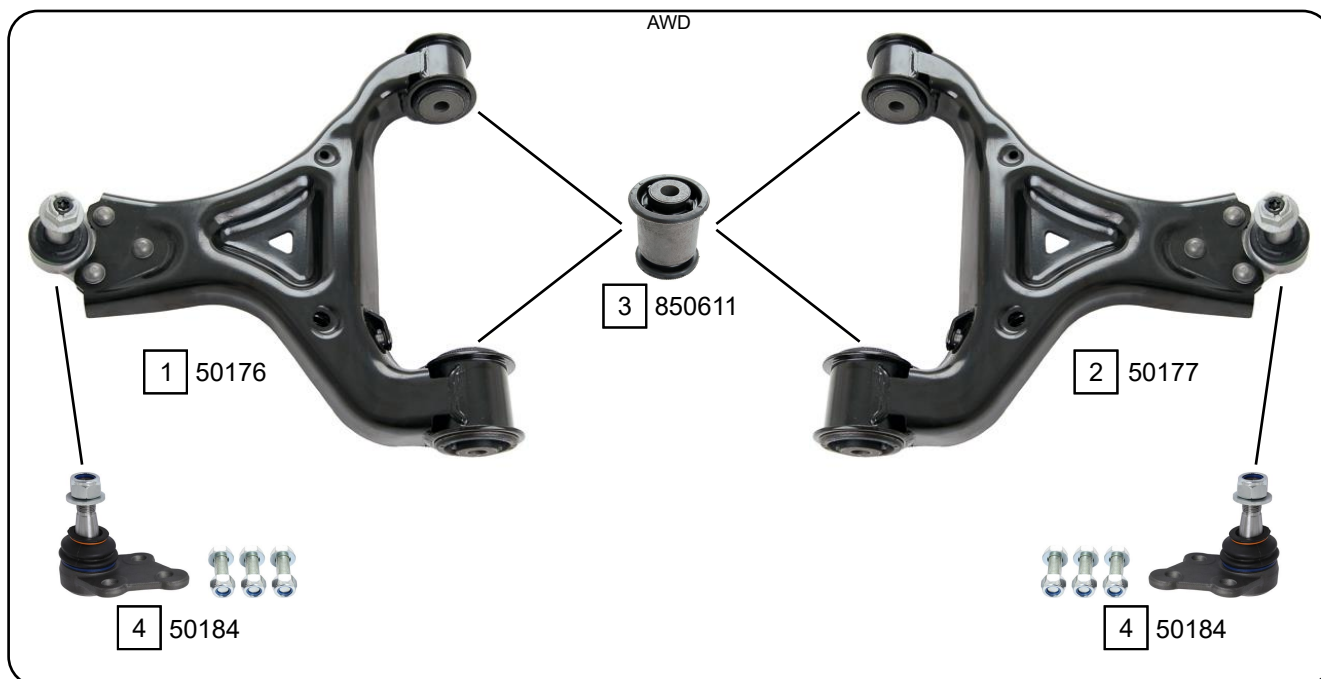
10/2014 ->
03/2014 ->



Ref.	Sidem Ref.	Description	OE-number	Measures	Ref.	Sidem Ref.	Description	OE-number	Measures
1	50466	stabiliser link	447 320 04 89		11	50741	tie rod end right	447 460 01 48	c:16.8 th:FM16X1.5R
2	50462	stabiliser link left	447 320 00 89	L:365	12	50913	axial joint	447 460 00 55	th:MM16X1.5R L:250
3	50463	stabiliser link right	447 320 03 89	L:365	13	50270	TCA left wbj	447 330 34 00	c:16.2
4	50464	stabiliser link left	447 320 01 89	L:350	14	50271	TCA right wbj	447 330 35 00	c:16.2
5	50465	stabiliser link right	447 320 02 89	L:350	15	850610	silentblock for TCA	Part of	di:14.4 do:70.1 (*)
6	849425	strut mount	639 323 07 20	do:70.9 L:62.7	16	850613	silentblock for TCA	Part of	di:25.9 do:70.7 (*)
7	349.231	steering rack gaiter	205 463 00 96	D:61.5 d:16 L:197	17	50184	ball joint	Part of	c:16.2
8	50648	tie rod end left	447 460 02 48	c:14.8 th:FM16X1.5R	18	50178	TCA left wbj	447 330 14 07	c:16.2
9	50649	tie rod end right	447 460 03 48	c:14.8 th:FM16X1.5R	19	50179	TCA right wbj	447 330 15 07	c:16.2
10	50740	tie rod end left	447 460 00 48	c:16.8 th:FM16X1.5R	20	850612	silentblock for TCA	Part of	di:25 do:70 (*)

VITO (W447)
V-CLASS (W447)

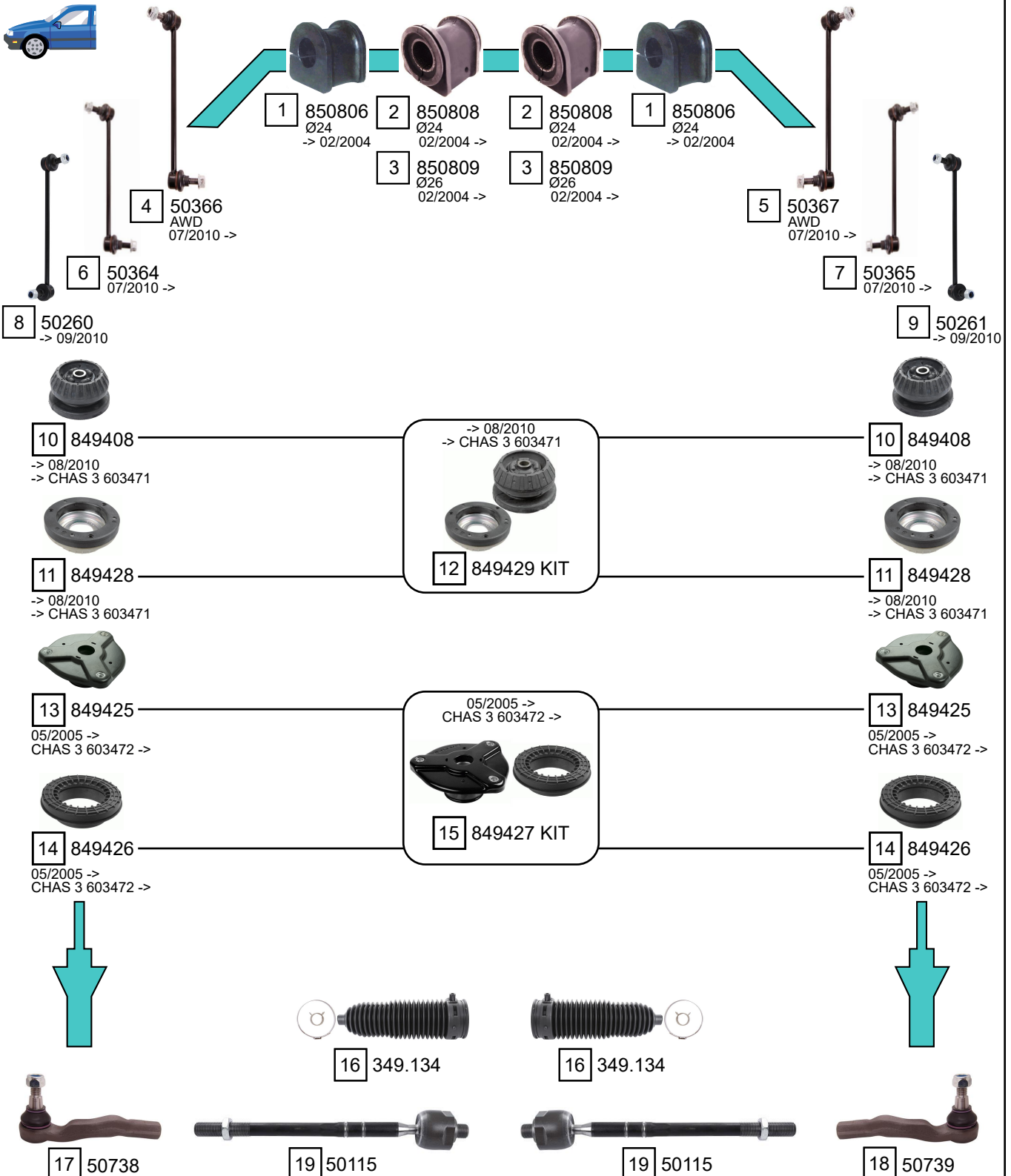
10/2014 ->
03/2014 ->



Ref.	Sidem Ref.	Description	OE-number	Measures	Ref.	Sidem Ref.	Description	OE-number	Measures
1	50176	TCA left wbj	447 330 31 00	c:16.2	6	850711	silentblock for TCA	Part of	di:14.2 do:60.5 (*)
2	50177	TCA right wbj	447 330 30 00	c:16.2	7	50363	stabiliser link	639 326 06 16	L:145
3	850611	silentblock for TCA	447 333 04 00	di:14 do:50.3 (*)	8	850913	stabiliser mounting	447 326 04 81	di:12
4	50184	ball joint	Part of	c:16.2	9	850904	stabiliser mounting	639 326 13 81	di:15
5	850710	silentblock for TCA	Part of	di:14.2 do:60.5 (*)					

VITO (W639, V639)
VIANO (W639, V639)

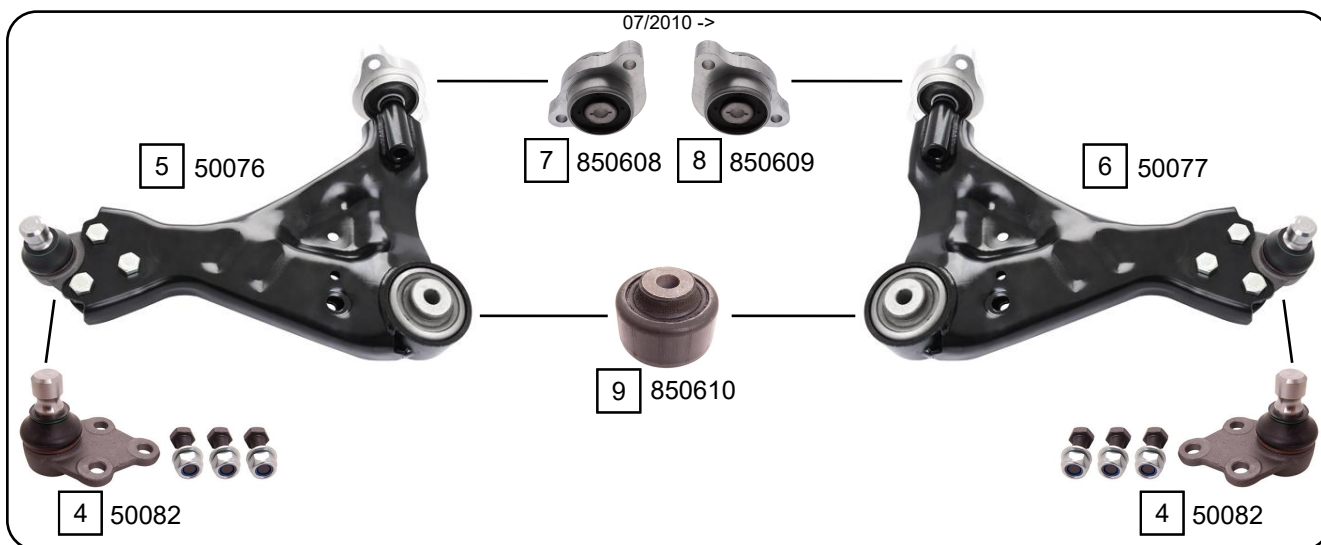
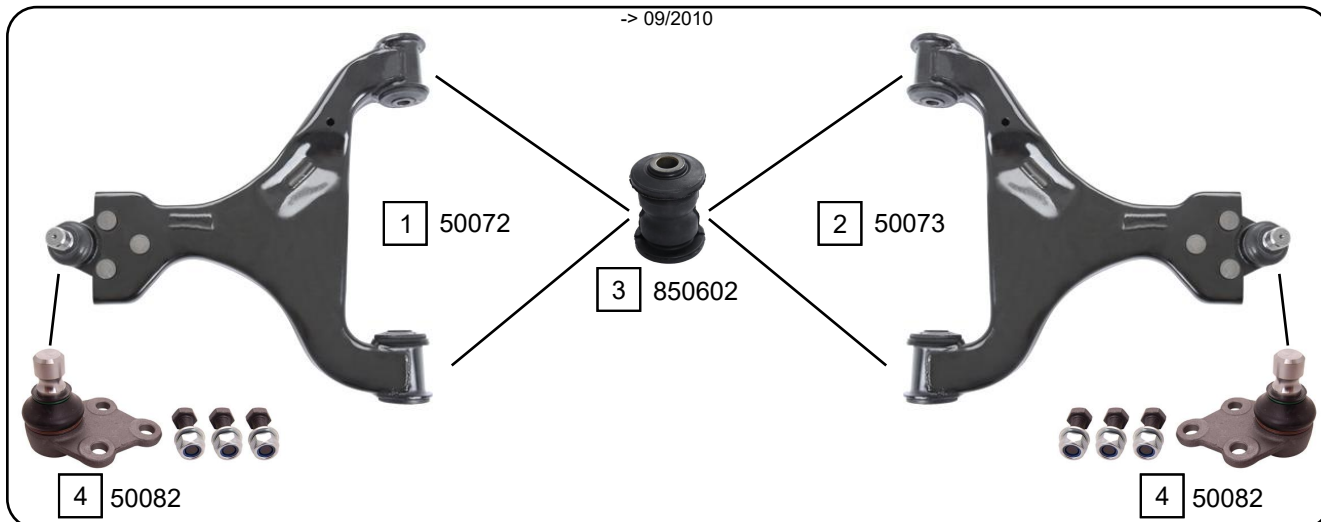
09/2003 ->



Ref.	Sidem Ref.	Description	OE-number	Measures	Ref.	Sidem Ref.	Description	OE-number	Measures
1	850806	stabiliser mounting	638 323 02 85	di:24	11	849428	bearing	639 981 03 25	di:35.1 do:108.2 L:39.5
2	850808	stabiliser mounting	639 323 19 85	di:23.5	12	849429 KIT	strut mount kit	639 323 05 20 S1	di:16.5 do:119 L:65.7
3	850809	stabiliser mounting	639 323 20 85	di:25.5	13	849425	strut mount	639 323 07 20	do:70.9 L:62.7
4	50366	stabiliser link left	639 320 07 89	L:297	14	849426	bearing	639 981 05 25	di:80.5 do:140 L:36.8
5	50367	stabiliser link right	639 320 08 89	L:297	15	849427 KIT	strut mount kit	639 323 07 20 S1	do:70.9 L:62.7
6	50364	stabiliser link left	639 320 09 89	L:285	16	349.134	steering rack gaiter	639 460 01 96	D:58 d:15 L:207
7	50365	stabiliser link right	639 320 10 89	L:285	17	50738	tie rod end left	639 460 06 48	c:16.9 th:FM16X1.5R
8	50260	stabiliser link left	639 320 04 89	L:280	18	50739	tie rod end right	639 460 07 48	c:16.9 th:FM16X1.5R
9	50261	stabiliser link right	639 320 05 89	L:280	19	50115	axial joint	639 460 02 55	th:MM16X1.5R L:288
10	849408	strut mount	639 323 05 20	di:16.4 do:119 L:65					

VITO (W639, V639)
VIANO (W639, V639)

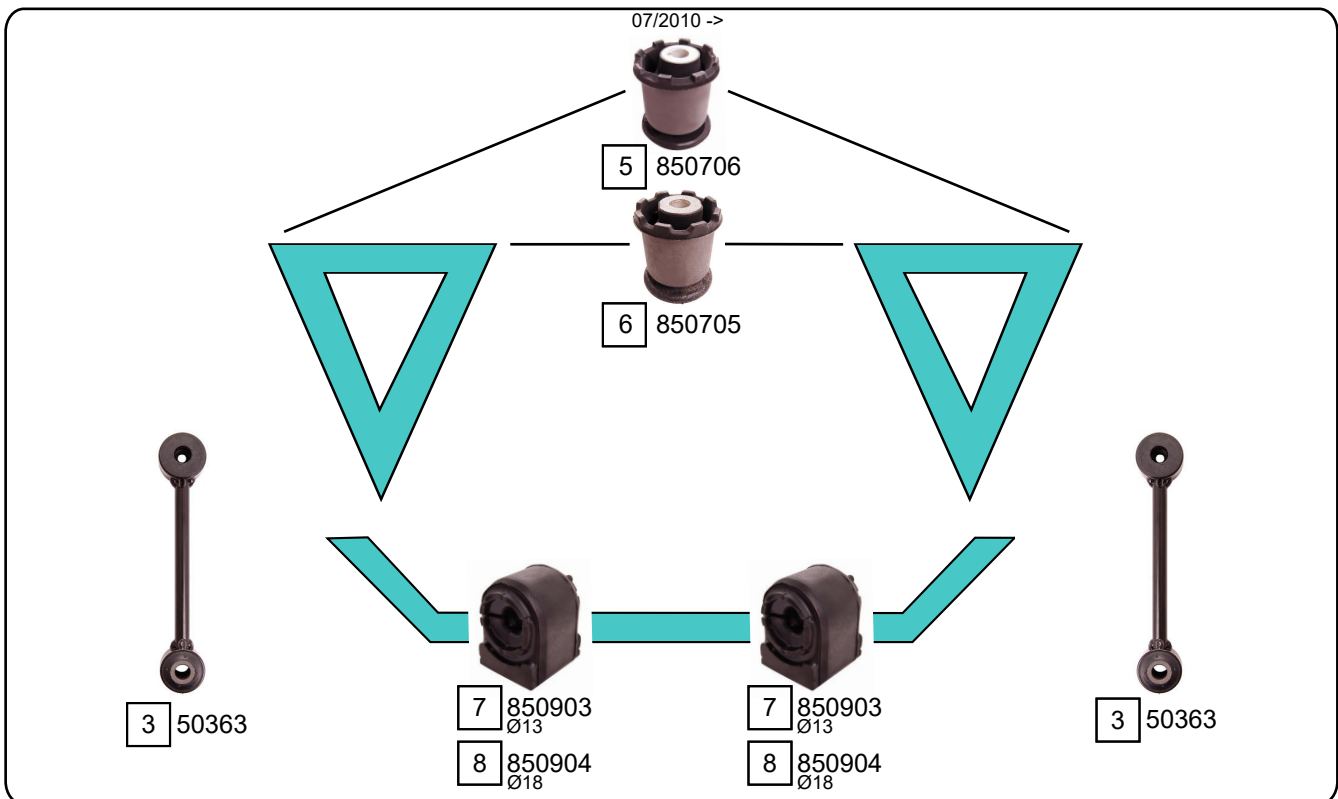
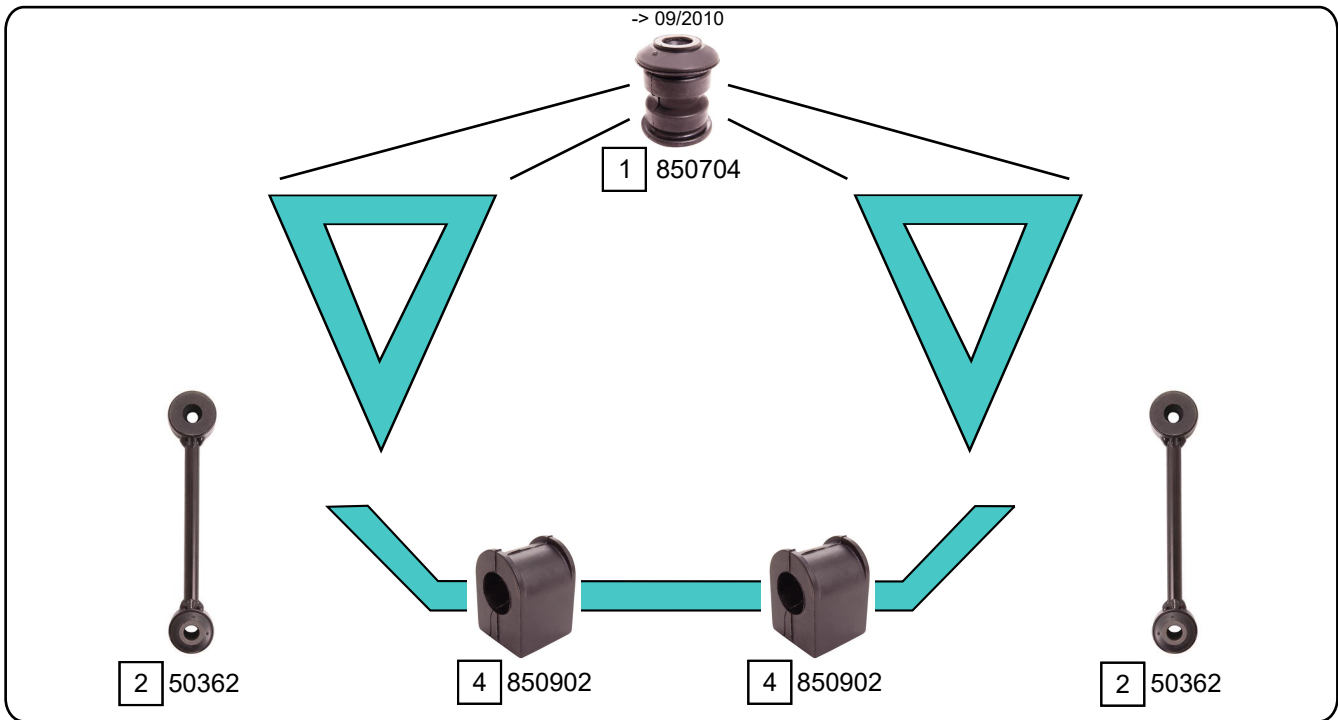
09/2003 ->



Ref.	Sidem Ref.	Description	OE-number	Measures	Ref.	Sidem Ref.	Description	OE-number	Measures
1	50072	TCA left wbj	639 330 08 10	c:22	6	50077	TCA right wbj	639 330 15 01	c:22
2	50073	TCA right wbj	639 330 09 10	c:22	7	850608	silentblock for TCA left	Part of	di:25 do:70.3 (*)
3	850602	silentblock for TCA	638 333 00 14	di:14.1 do:40 (*)	8	850609	silentblock for TCA right	Part of	di:25 do:70.3 (*)
4	50082	ball joint	639 333 02 27	c:22	9	850610	silentblock for TCA	Part of	di:14.4 do:70.1 (*)
5	50076	TCA left wbj	639 330 14 01	c:22					

VITO (W639, V639)
VIANO (W639, V639)

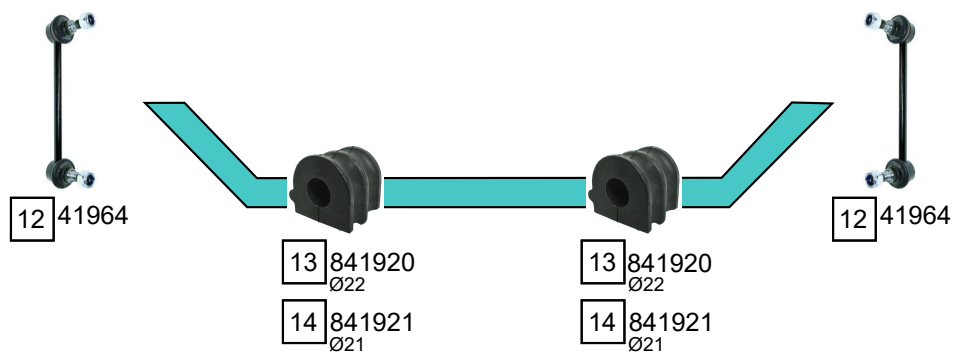
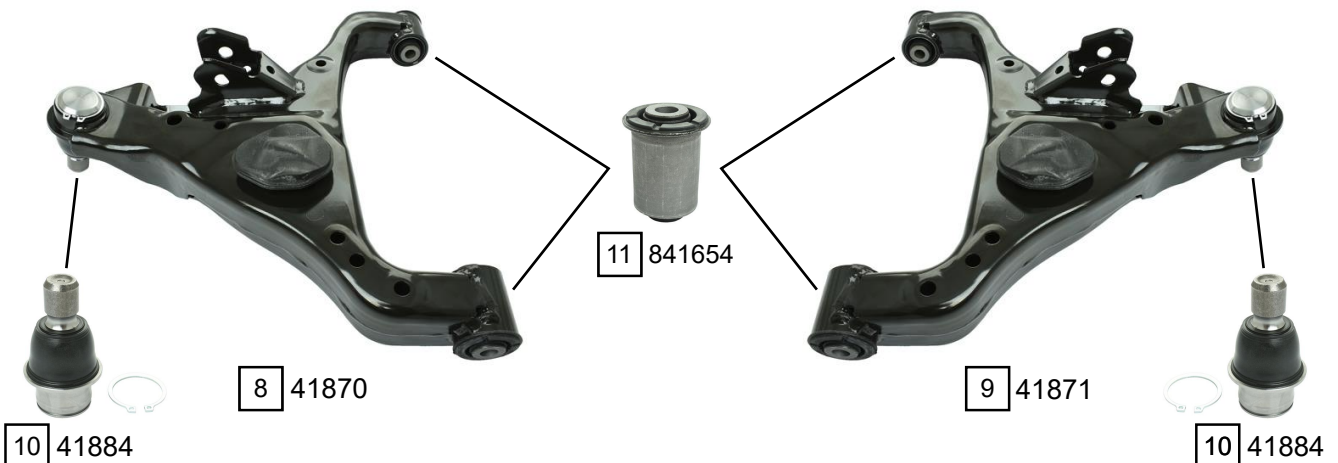
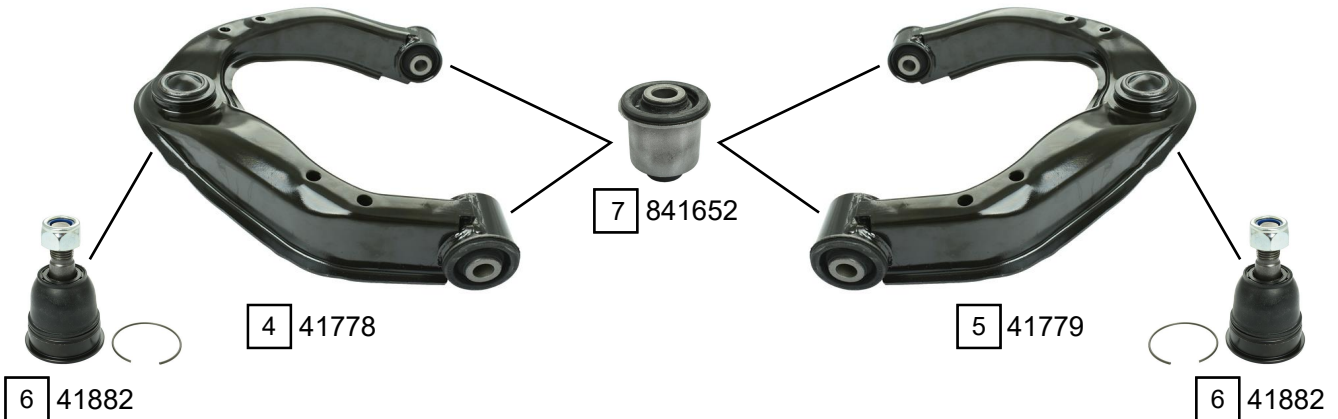
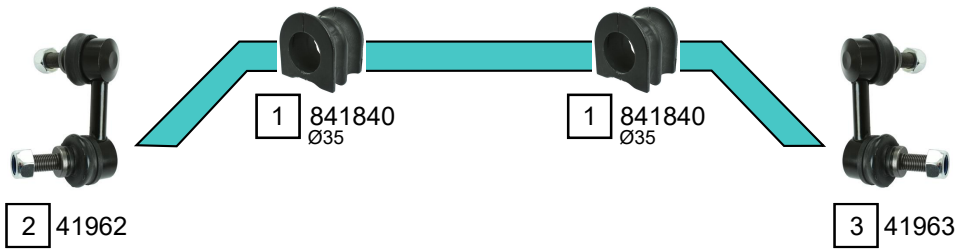
09/2003 ->



Ref.	Sidem Ref.	Description	OE-number	Measures	Ref.	Sidem Ref.	Description	OE-number	Measures
1	850704	silentblock for TCA	639 353 00 50	di:14.5 (*)	5	850706	silentblock for TCA	639 352 05 50	di:14.1 do:61 (*)
2	50362	stabiliser link	639 326 02 16	L:145	6	850705	silentblock for TCA	639 352 04 50	di:14.1 do:61 (*)
3	50363	stabiliser link	639 326 06 16	L:145	7	850903	stabiliser mounting	639 326 12 81	di:10
4	850902	stabiliser mounting	639 326 10 81	di:17.8	8	850904	stabiliser mounting	639 326 13 81	di:15

X-CLASS (470)

09/2017 - 05/2020



Ref.	Sidem Ref.	Description	OE-number	Measures	Ref.	Sidem Ref.	Description	OE-number	Measures
1	841840	stabiliser mounting	470 322 01 00	di:34.5	8	41870	TCA left wbj	470 330 07 00	c:24
2	41962	stabiliser link left	470 320 22 00	L:70	9	41871	TCA right wbj	470 330 10 00	c:24
3	41963	stabiliser link right	470 320 23 00	L:70	10	41884	ball joint	Part of	c:24 do:43
4	41778	TCA left wbj	470 330 15 00	c:14.9	11	841654	silentblock for TCA	Part of	di:14.1 do:43 (*)
5	41779	TCA right wbj	470 330 13 00	c:14.9	12	41964	stabiliser link	470 326 01 00	L:210
6	41882	ball joint	Part of	c:14.9 do:46.1	13	841920	stabiliser mounting	470 322 02 00	di:21.5
7	841652	silentblock for TCA	Part of	di:14.1 do:43 (*)	14	841921	stabiliser mounting	470 321 07 00	di:20.5