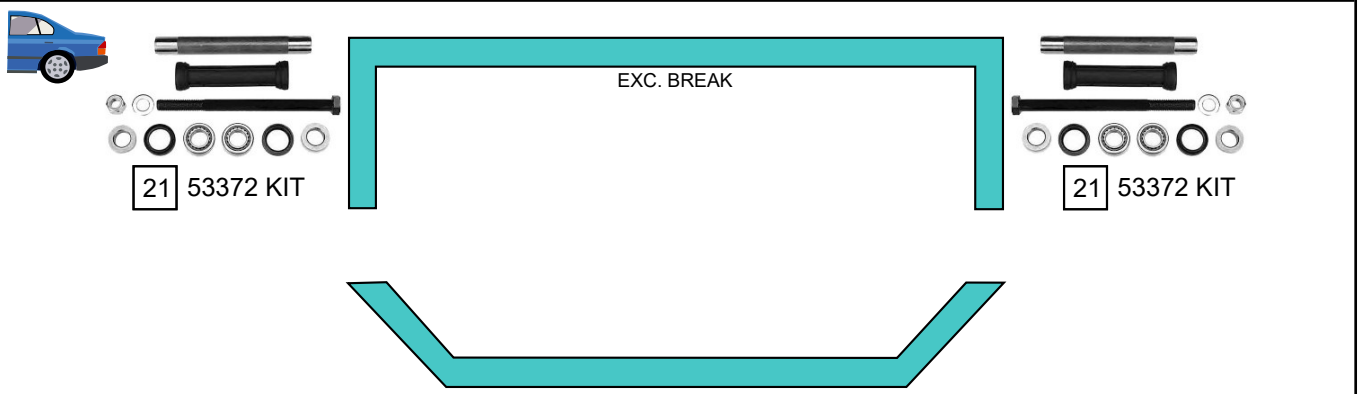
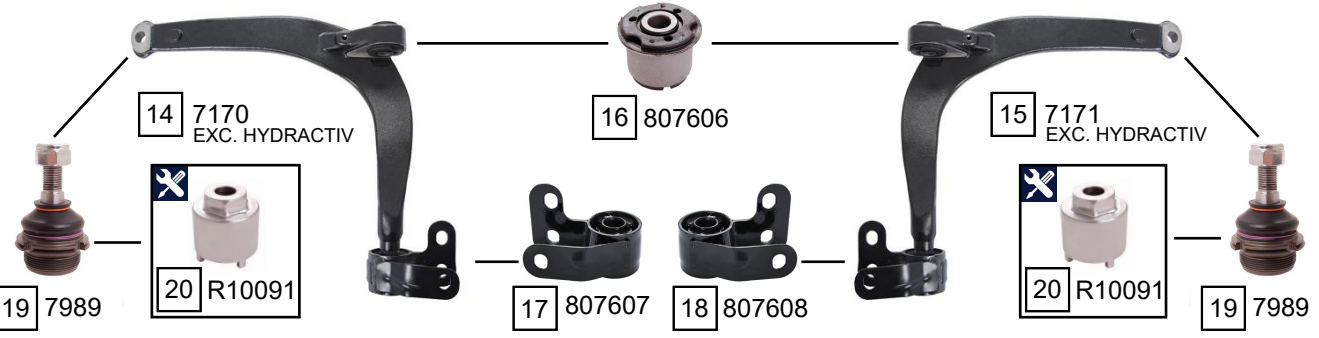
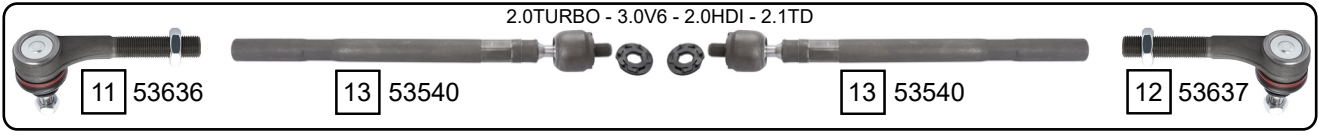
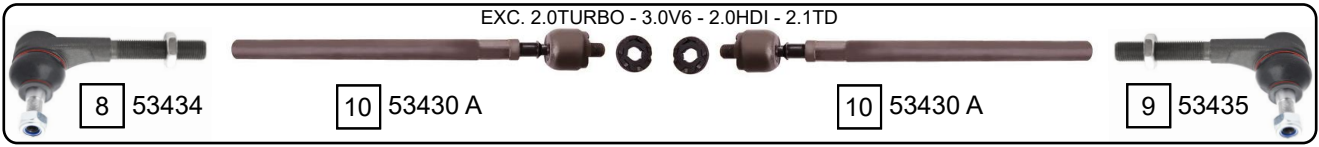
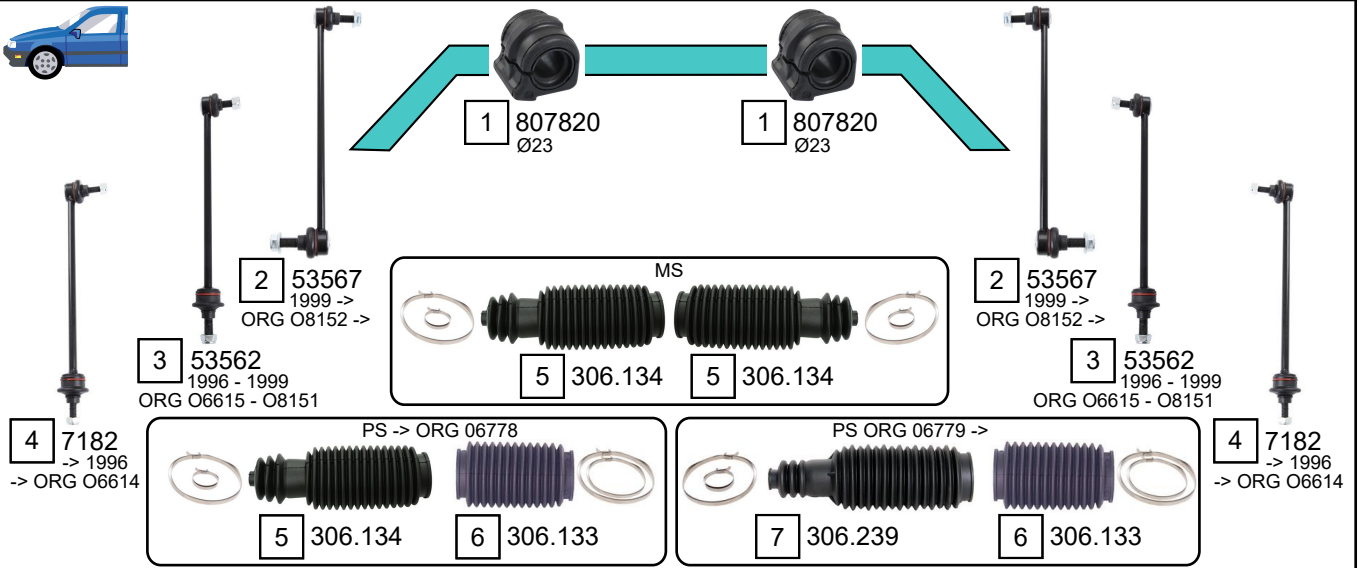


XANTIA

03/1993 - 04/2003



Ref.	Sidem Ref.	description	OE-number	measures	Ref.	Sidem Ref.	description	OE-number	measures
1	807820	stabiliser mounting	96 089 106	di:22.9	12	53637	tie rod end right	3817 44	c:11.8 th:MM16x1.5R
2	53567	stabiliser link	5087 60	L:319	13	53540	axial joint	3812 A9	th:MM12X1R L:313
3	53562	stabiliser link	5087 40	L:323	14	7170	TCA left wobj	3520 C1	c:15.4
4	7182	stabiliser link	96 145 457	L:322	15	7171	TCA right wobj	3521 81	c:15.4
5	306.134	steering rack gaiter	4066 29	D:44 d:11 L:200	16	807606	silentblock for TCA	Part of	di:12.1 do:36.9
6	306.133	steering rack gaiter	4066 30	D:44 d:44 L:120	17	807607	silentblock for TCA	Part of	di:18 do:18
7	306.239	steering rack gaiter	4066 42	D:45 d:14 L:206	18	807608	silentblock for TCA	Part of	di:18 do:18
8	53434	tie rod end	3817 41	c:12.1 th:MM14x1.5R	19	7989	ball joint	3640 71	c:15.9
9	53435	tie rod end	3817 42	c:12.1 th:MM14x1.5R	20	R10091	mounting tool	SEE PAGE II	di:43.3
10	53430 A	axial joint	96 136 394	th:MM12X1R L:317	21	53372 KIT	repair kit rear axle	5132 44 S1	
11	53636	tie rod end left	3817 43	c:11.8 th:MM16x1.5R					