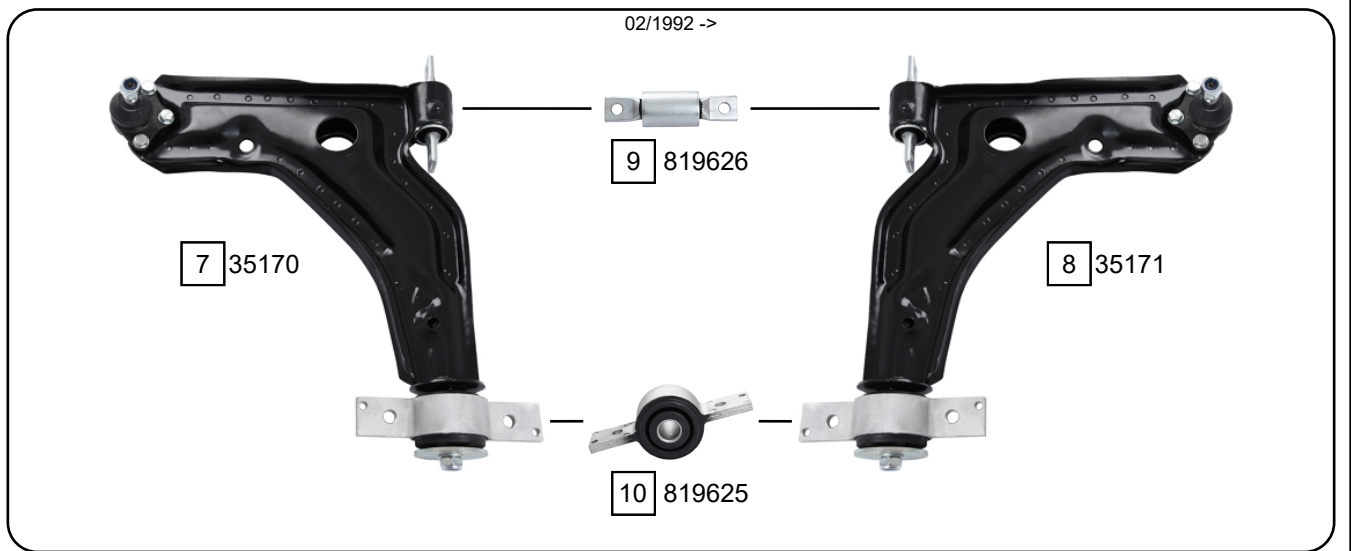
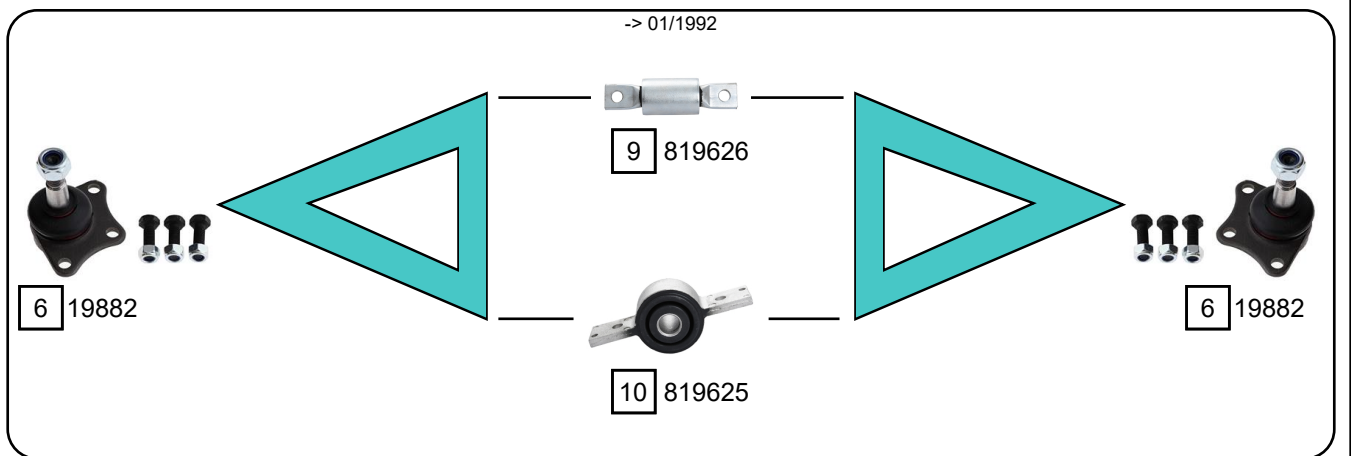
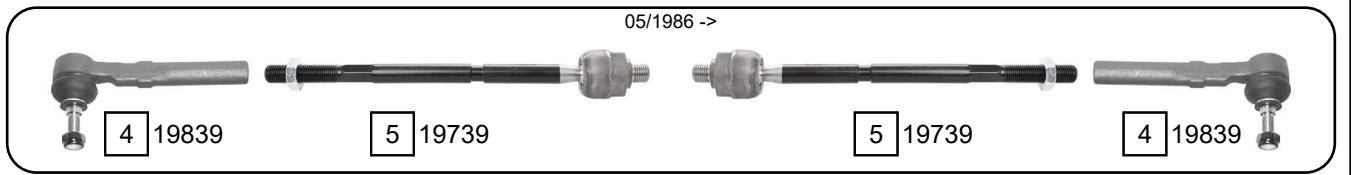
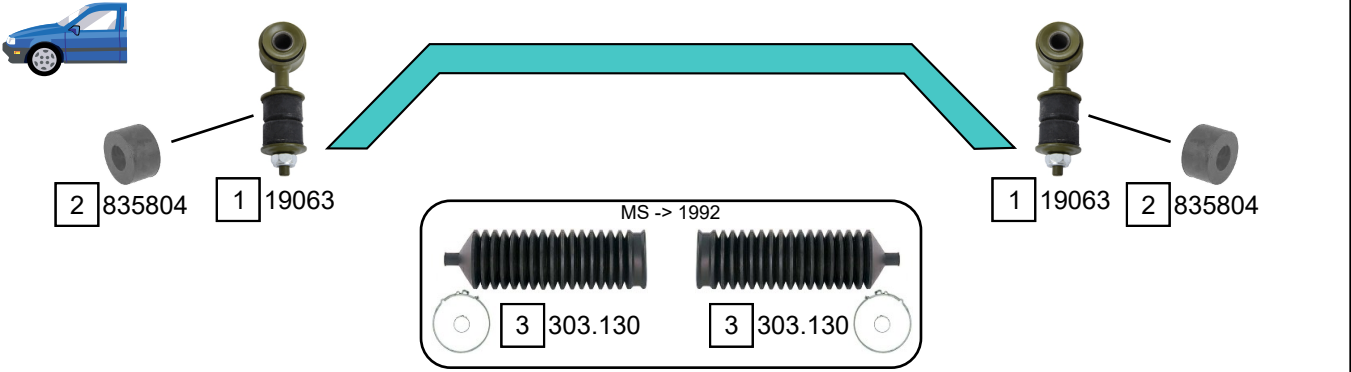


CROMA (154)

12/1985 - 12/1996



Ref.	Sidem Ref.	Description	OE-number	Measures	Ref.	Sidem Ref.	Description	OE-number	Measures
1	19063	stabiliser link	605 70 627	L:90	6	19882	ball joint lower	824 46 499	c:13
2	835804	stabiliser mounting	760 16 42	di:10.3	7	35170	TCA left wbj	824 80 038	c:15
3	303.130	steering rack gaiter	993 95 55	D:52 d:11 L:210	8	35171	TCA right wbj	824 80 039	c:15
4	19839	tie rod end	823 87 676	c:12.6 th:FM14x1.5R	9	819626	silentblock for TCA	Part of	di:10.5 do:35
5	19739	axial joint	994 02 60	th:MM14x1.5R L:268	10	819625	silentblock for TCA	824 80 037	di:19.1 do:65