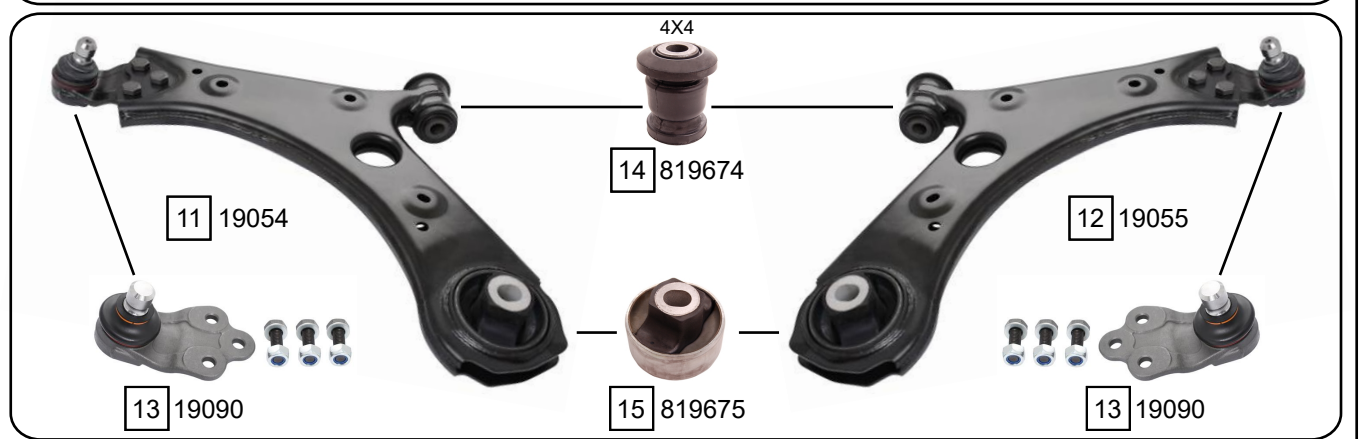
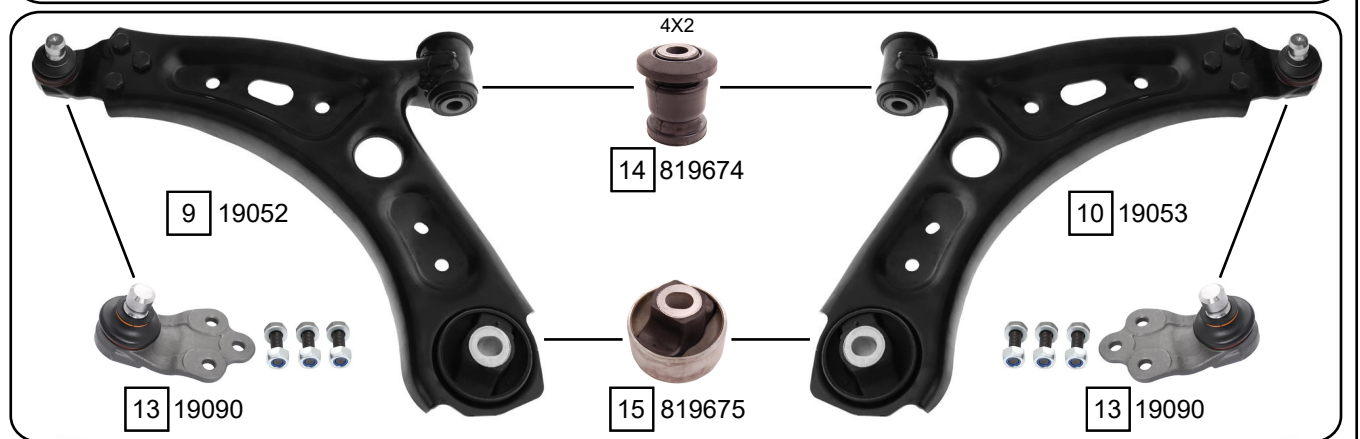
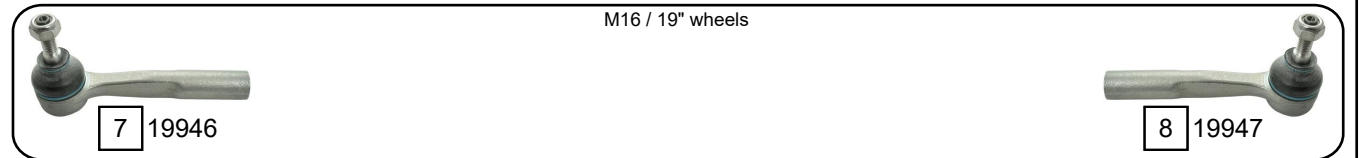
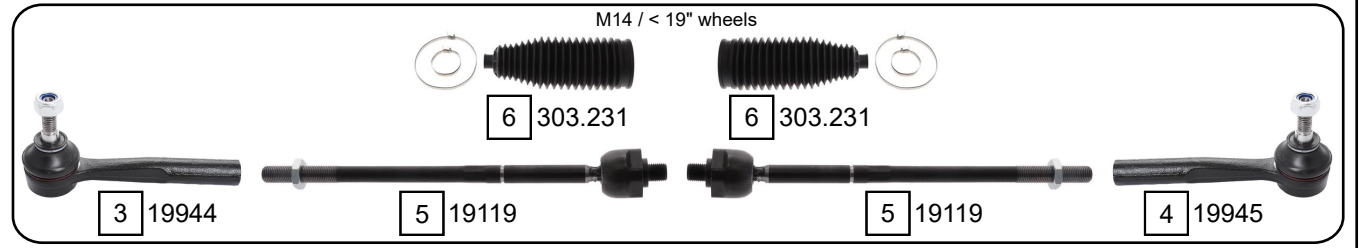


500X (334_)

09/2014 ->



Ref.	Sidem Ref.	Description	OE-number	Measures	Ref.	Sidem Ref.	Description	OE-number	Measures
1	19265	stabiliser link	519 39 949	L:280	9	19052	TCA left wbj	519 61 341	c:19
2	819418	strut mount	521 28 763	di:12.5 do:60 L:75.5	10	19053	TCA right wbj	519 59 820	c:19
3	19944	tie rod end left	773 66 698	c:11.7 th:FM14X1.5R	11	19054	TCA left wbj	519 39 755	c:19
4	19945	tie rod end right	773 66 699	c:11.7 th:FM14X1.5R	12	19055	TCA right wbj	519 39 751	c:19
5	19119	axial joint	Part of	th:MM14X1.5R L:303	13	19090	ball joint	519 45 321	c:19
6	303.231	steering rack gater	773 66 697	D:55 d:12 L:180	14	819674	silentblock for TCA	Part of	di:14.3 do:42.5
7	19946	tie rod end left	773 68 518	c:11.7 th:FM16X1.5R	15	819675	silentblock for TCA	Part of	di:14.2 do:70.2
8	19947	tie rod end right	773 68 517	c:11.7 th:FM16X1.5R					