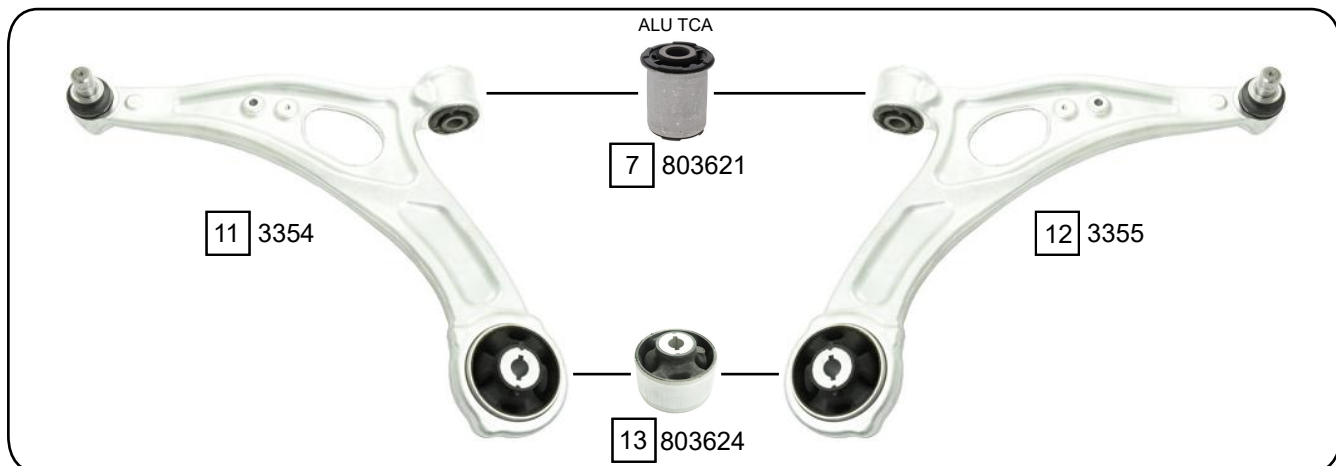
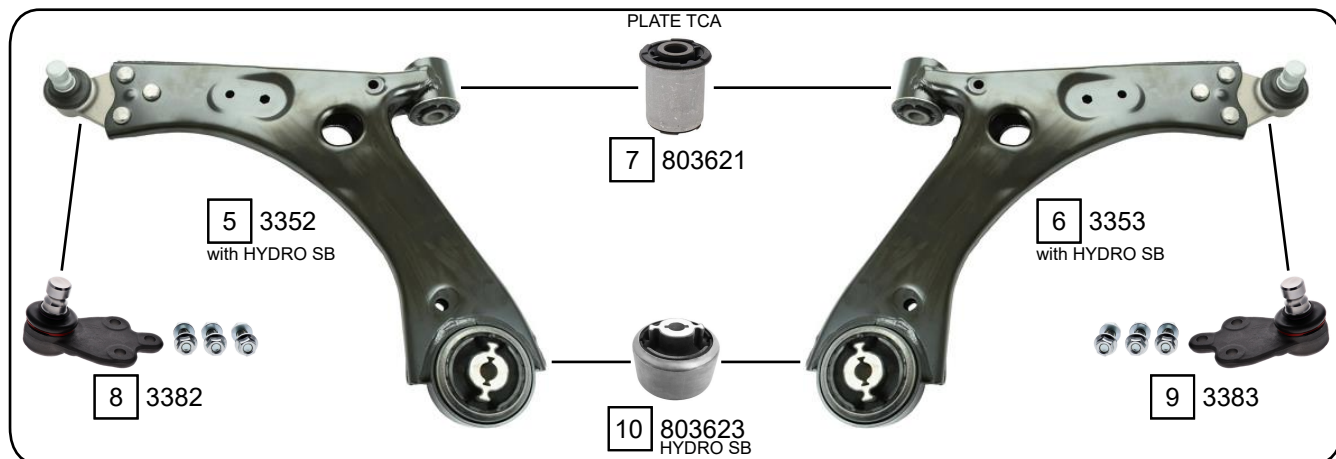
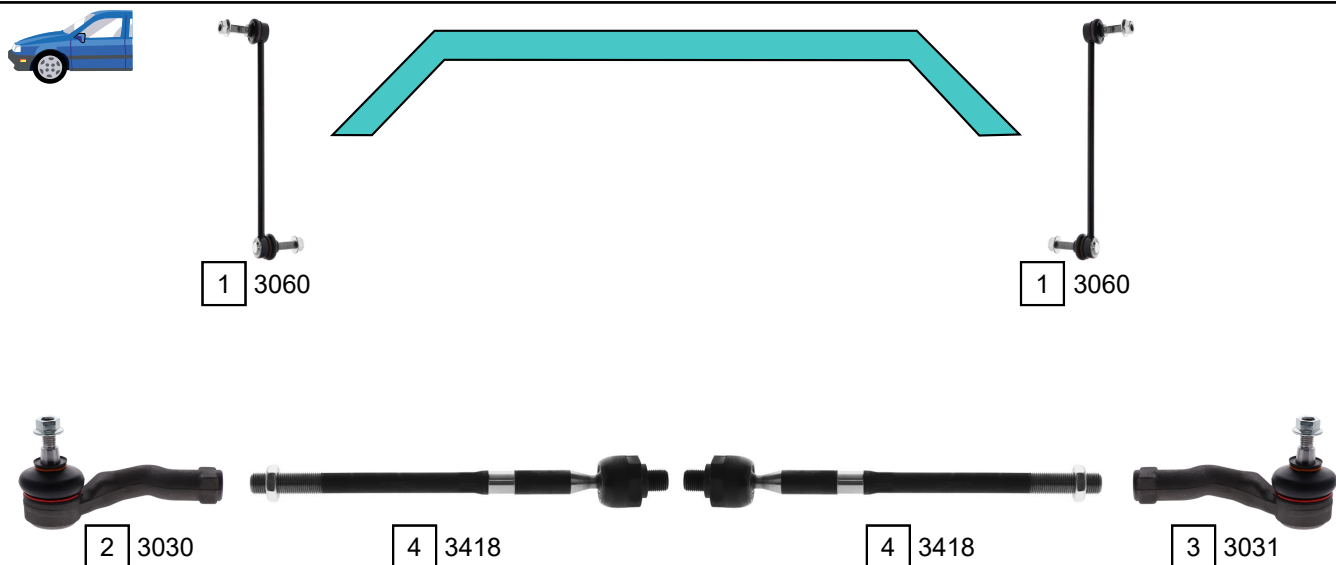


KUGA III (CTD)

07/2019 ->



Ref.	Sidem Ref.	Description	OE-number	Measures	Ref.	Sidem Ref.	Description	OE-number	Measures
1	3060	stabiliser link	2 451 509	L:318	8	3382	ball joint left	Part of	c:21
2	3030	tie rod end left	2 500 067	c:12.4 th:FM16X1.5R	9	3383	ball joint right	Part of	c:21
3	3031	tie rod end right	2 500 065	c:12.4 th:FM16X1.5R	10	803623	silentblock for TCA	2 216 263	di:14.3 do:78
4	3418	axial joint	Part of	th:MM16X1.5R L:289	11	3354	TCA left wbj	2 451 507	c:21
5	3352	TCA left wbj	2 446 227	c:21	12	3355	TCA right wbj	2 451 505	c:21
6	3353	TCA right wbj	2 446 223	c:21	13	803624	silentblock for TCA	Part of	di:14.2 do:78
7	803621	silentblock for TCA	Part of	di:16.2 do:42					