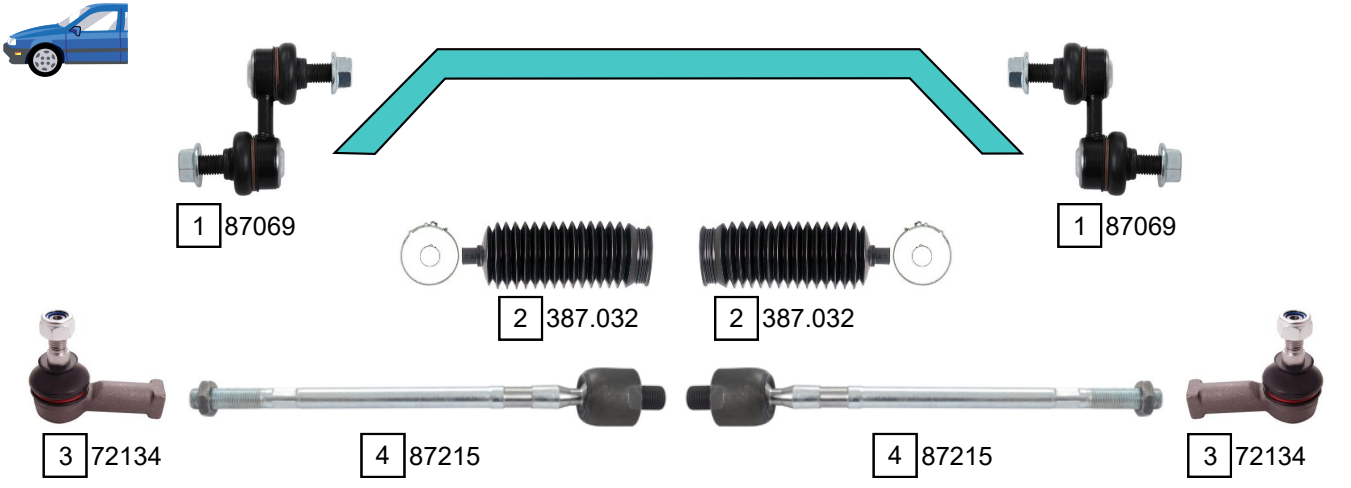
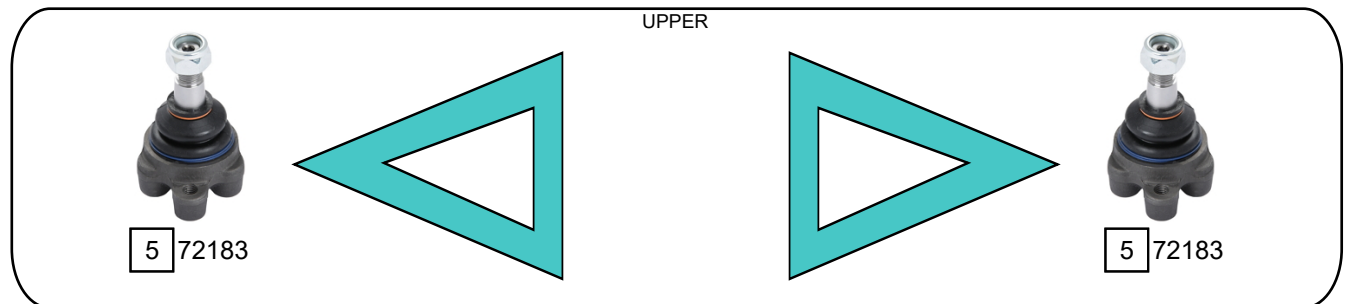


H200

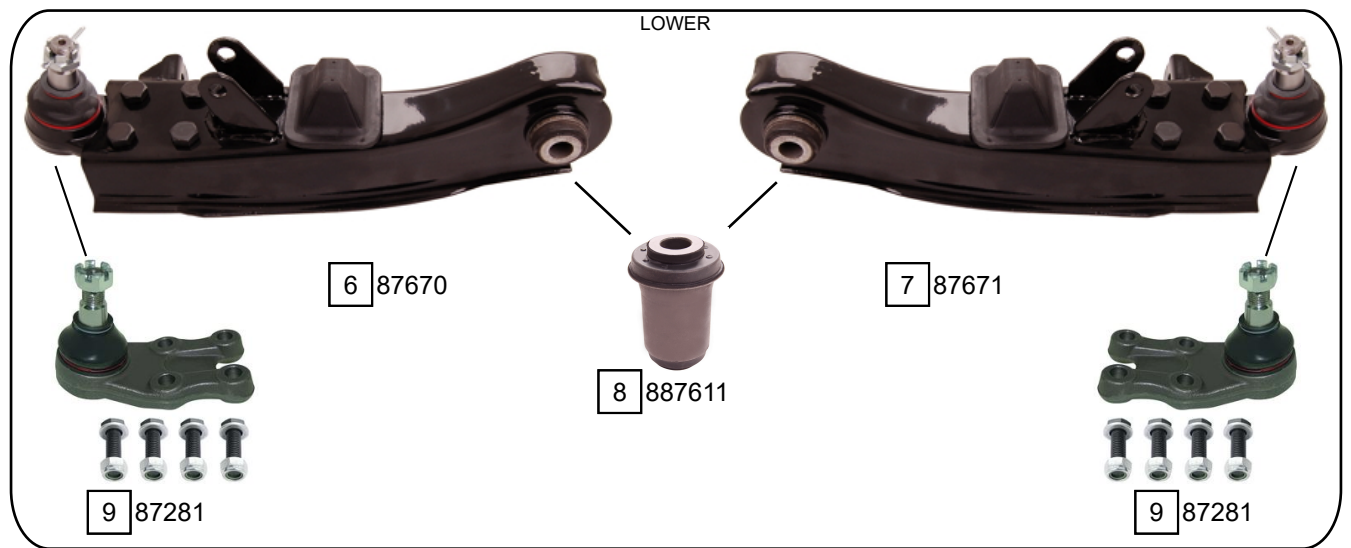
01/1996 - 11/2002



UPPER



LOWER



Ref.	Sidem Ref.	Description	OE-number	Measures	Ref.	Sidem Ref.	Description	OE-number	Measures
1	87069	stabiliser link	54830 4A003	L:54	6	87670	TCA left wbj	54500 4A600	c:16.3
2	387.032	steering rack gaiter	57774 4A600	D:50 d:14 L:198	7	87671	TCA right wbj	54501 4A600	c:19.5
3	72134	tie rod end	56872 43010	c:13.7 th:FM14X1.5R	8	887611	silentblock for TCA	54522 4B010	di:16.2 do:42.1
4	87215	axial joint	57729 4A000	th:MM16X1.5R L:292	9	87281	ball joint	54530 4AA00	c:19.5
5	72183	ball joint upper	54417 47000	c:17.6	10	87163	stabiliser link rear axle	55530 4A001	L:117