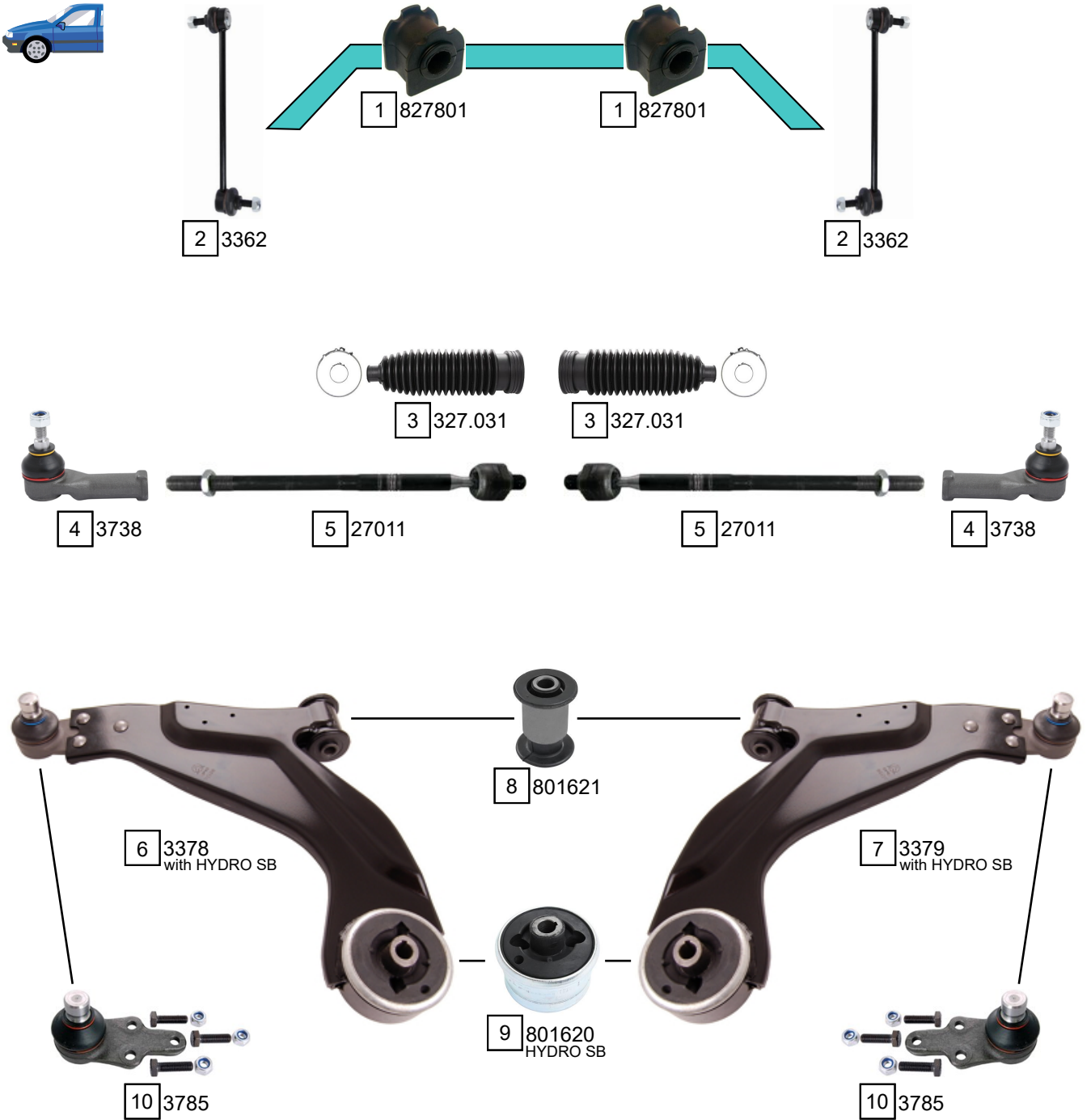


X-TYPE (CF1)  
X-TYPE ESTATE

06/2001 - 11/2009  
11/2003 - 12/2009



Ref.	Sidem Ref.	Description	OE-number	Measures	Ref.	Sidem Ref.	Description	OE-number	Measures
1	827801	stabiliser mounting	C2S 51258		6	3378	TCA left wbj	C2S 39662	c:21
2	3362	stabiliser link	C2S 39552	L:250	7	3379	TCA right wbj	C2S 39661	c:21
3	327.031	steering rack gater	C2S 12019	D:49 d:16 L:185	8	801621	silentblock for TCA	Part of	di:12.2 do:35.3
4	3738	tie rod end	C2S 47357	c:12.7 th:FM16X1.5R	9	801620	silentblock for TCA	Part of	di:12.1 do:77.3
5	27011	axial joint	2X43 3200 BE	th:MM16x1.5R L:342	10	3785	ball joint	Part of	c:21