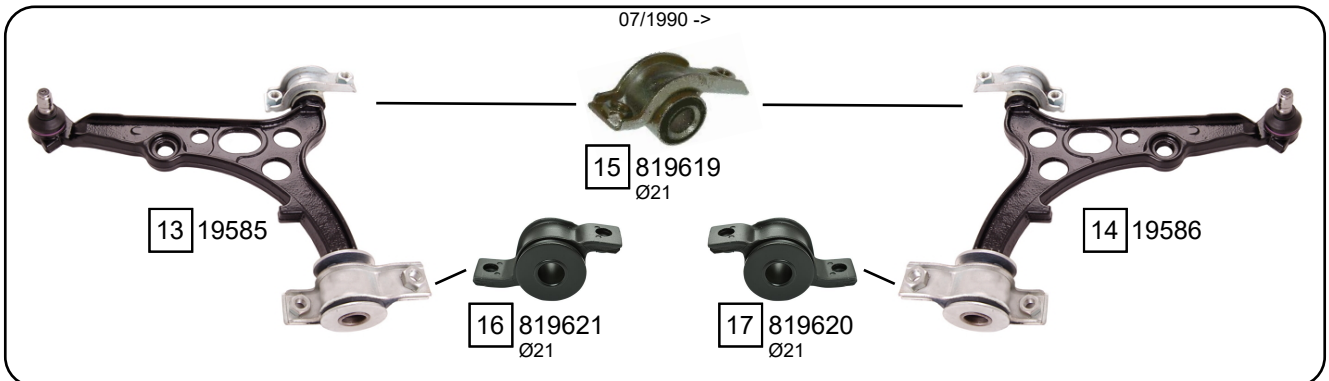
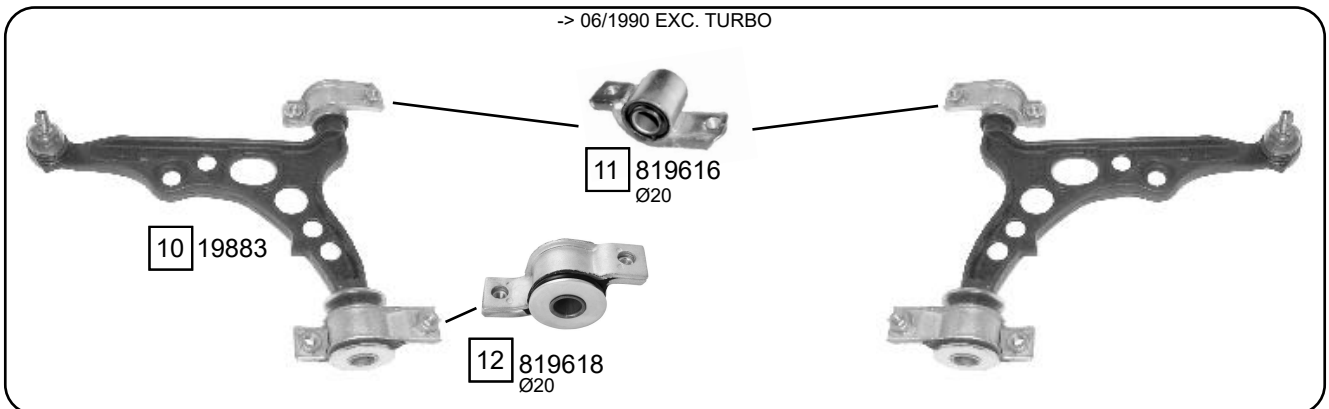
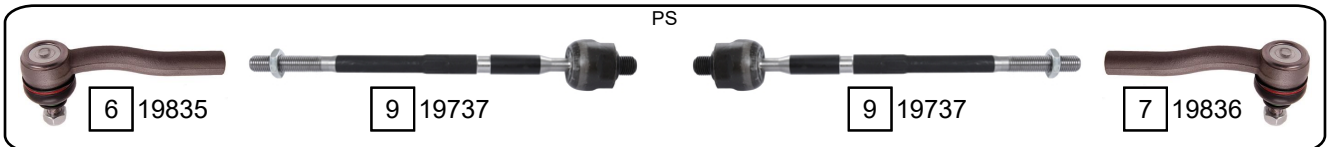
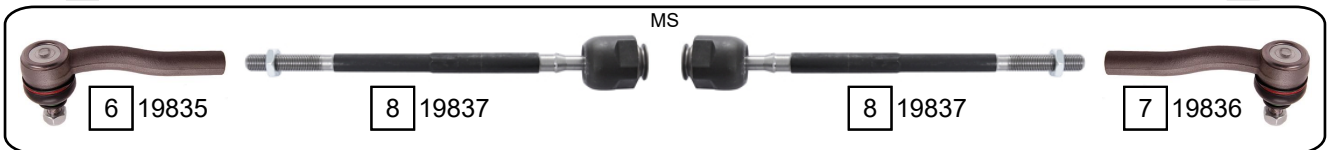
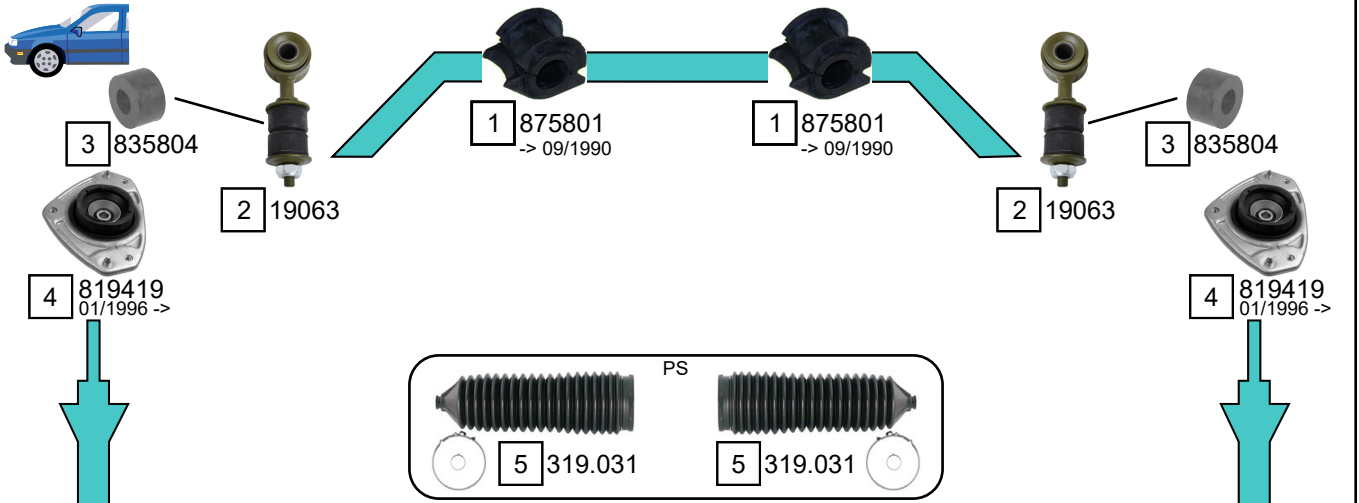


DEDRA (835)

01/1989 - 01/2001



Ref.	Sidem Ref.	Description	OE-number	Measures	Ref.	Sidem Ref.	Description	OE-number	Measures
1	875801	stabiliser mounting	608 08 557	di:21	10	19883	TCA left wbj	935 01 180	c:15
2	19063	stabiliser link	605 70 627	L:90	11	819616	silentblock for TCA	Part of	di:19.7 do:19.7
3	835804	stabiliser mounting	760 16 42	di:10.3	12	819618	silentblock for TCA	Part of	di:19.7 do:19.7
4	819419	strut mount	464 69 709	di:12.3 do:89.3 L:50.7	13	19585	TCA left wbj	717 47 915	c:17
5	319.031	steering rack gaiter	994 73 69	D:55 d:11 L:214	14	19586	TCA right wbj	777 72 40	c:17
6	19835	tie rod end left	994 74 37	c:12 th:FM12X1.5R	15	819619	silentblock for TCA	Part of	di:20.7 do:20.7
7	19836	tie rod end right	994 74 38	c:12 th:FM12X1.5R	16	819621	silentblock for TCA	Part of	di:20.7 do:20.7
8	19837	axial joint	441 01 45	th:FM14X1.5R L:278	17	819620	silentblock for TCA	Part of	di:20.7 do:20.7
9	19737	axial joint	994 16 25	th:MM14X1.5R L:269					