

THEMA (104)

11/1984 - 07/1994



2 835804 1 19063

1 19063 2 835804

04/1986 ->

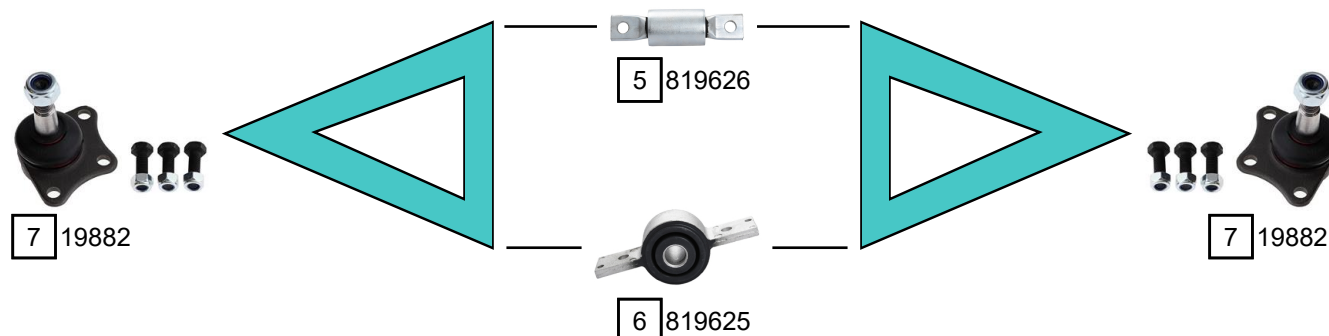


3 19839

4 19739

4 19739

3 19839



7 19882

5 819626

6 819625

7 19882

Ref.	Sidem Ref.	Description	OE-number	Measures	Ref.	Sidem Ref.	Description	OE-number	Measures
1	19063	stabiliser link	605 70 627	L:90	5	819626	silentblock for TCA	Part of	di:10.5 do:35
2	835804	stabiliser mounting	760 16 42	di:10.3	6	819625	silentblock for TCA	824 80 037	di:19.1 do:65
3	19839	tie rod end	823 87 676	c:12.6 th:FM14x1.5R	7	19882	ball joint lower	824 46 499	c:13
4	19739	axial joint	994 02 60	th:MM14x1.5R L:268					