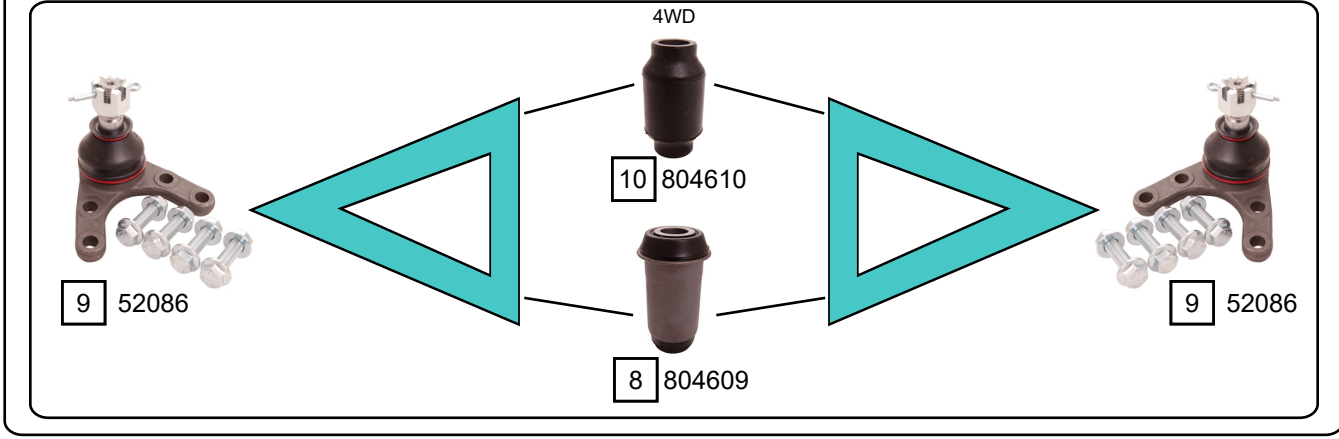
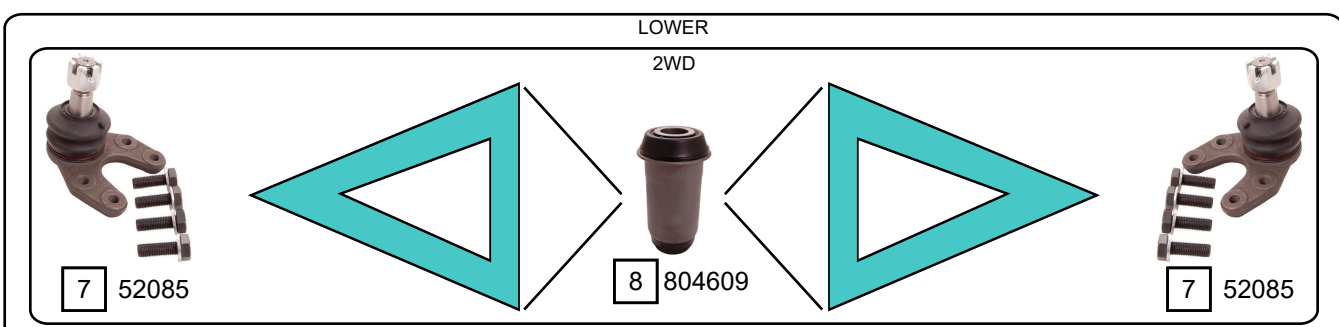
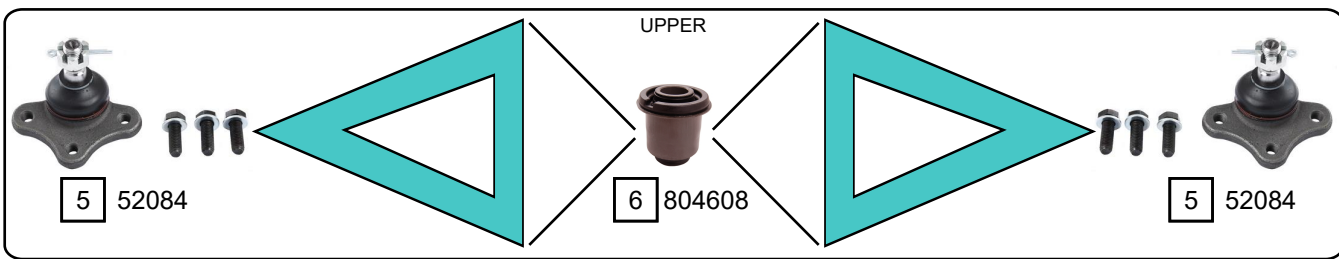
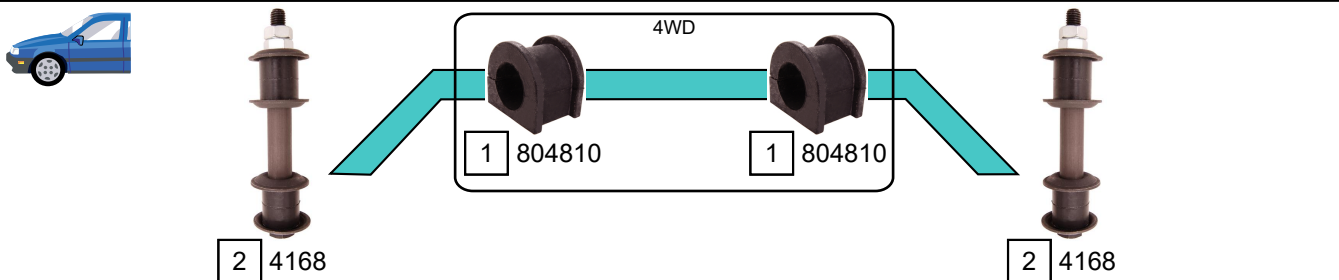


B2200 - B2500 - B2600 (UN)

02/1999 - 11/2006



Ref.	Sidem Ref.	Description	OE-number	Measures	Ref.	Sidem Ref.	Description	OE-number	Measures
1	804810	stabiliser mounting	UH74 34 156	di:25	6	804608	silentblock for TCA	UH71 34 470	di:17.9 do:38
2	4168	stabiliser link	9YA0 01 002 S1	L:150	7	52085	ball joint lower	8AU2 34 510	c:17.6
3	52133	tie rod end	UH74 32 280	c:13.8 th:FM14x1.5L	8	804609	silentblock for TCA	UH71 34 460	di:18.3 do:40.7
4	52131	tie rod end	UH74 32 250	c:13.8 th:FM14x1.5R	9	52086	ball joint lower	UC86 34 510 A	c:17.8
5	52084	ball joint upper	8AU1 34 540	c:13.7	10	804610	silentblock for TCA	UH75 34 450	di:16.1 do:33.9