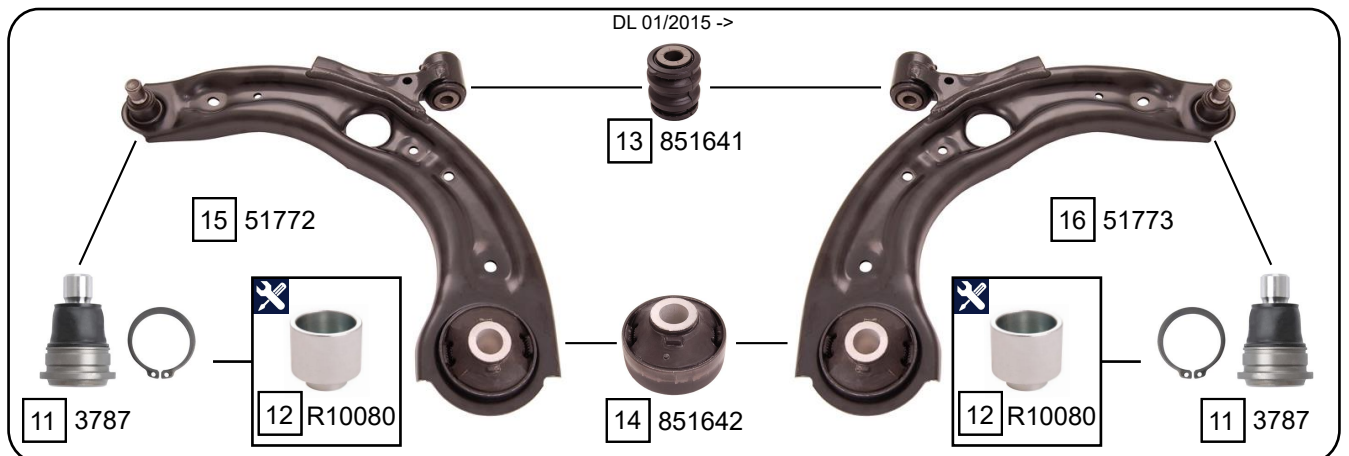
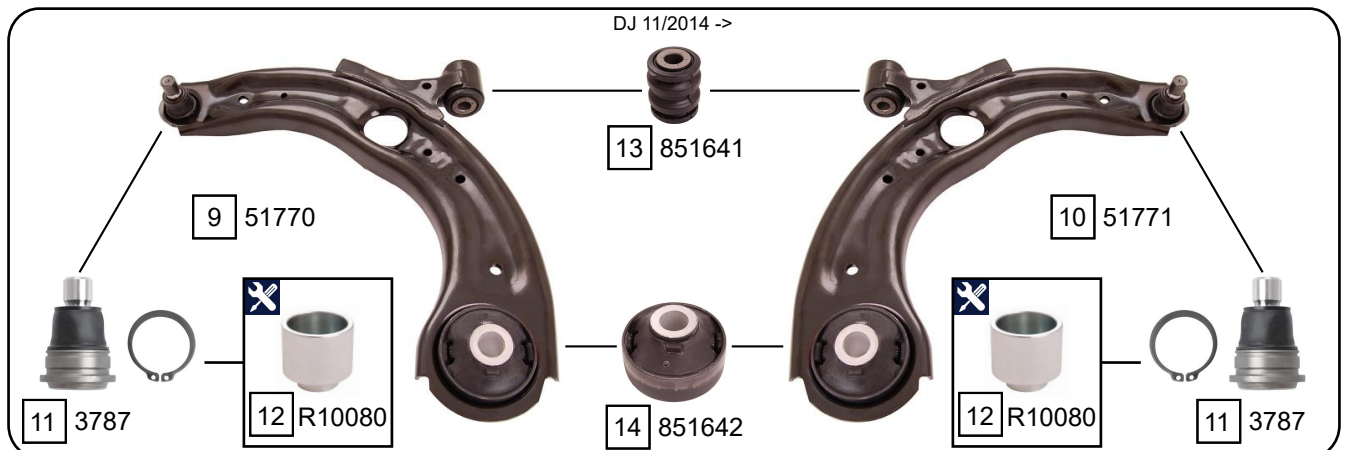
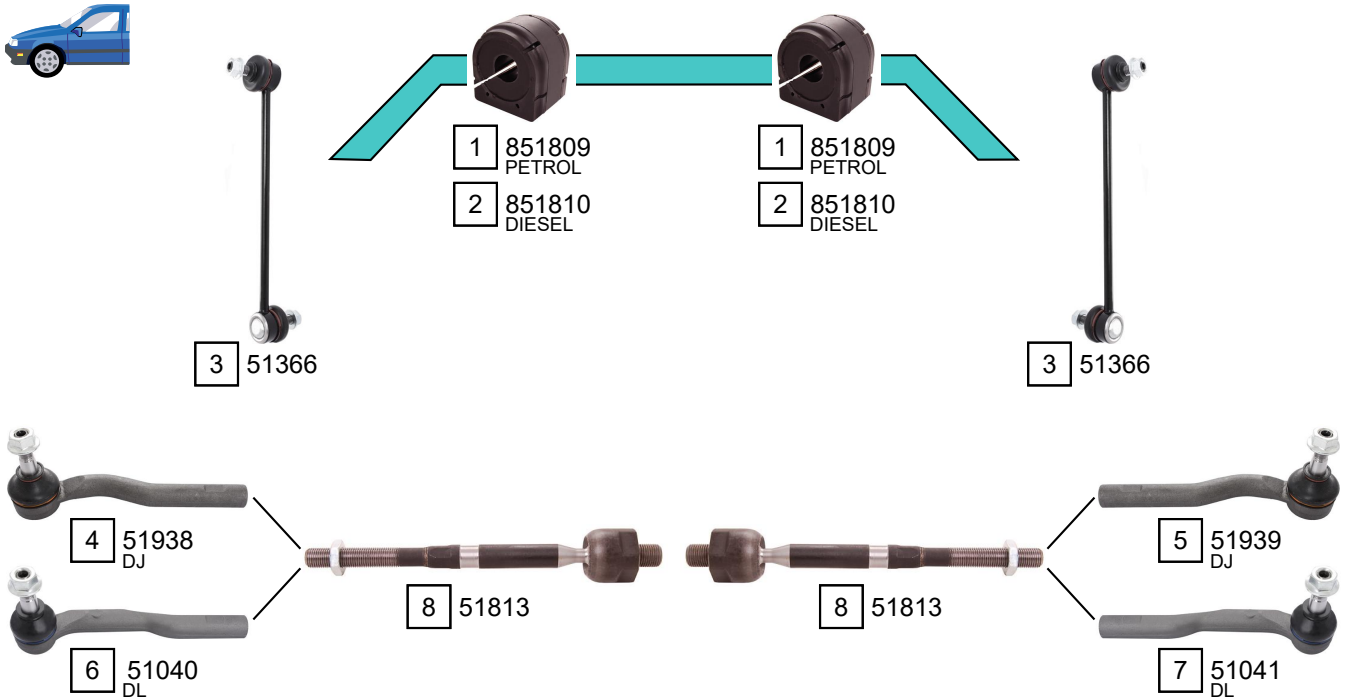


MAZDA 2 (DJ) HATCHBACK
MAZDA 2 (DL) SEDAN

11/2014 ->
01/2015 ->



Ref.	Sidem Ref.	Description	OE-number	Measures	Ref.	Sidem Ref.	Description	OE-number	Measures
1	851809	stabiliser mounting	KD35 34 156 B	di:18	9	51770	TCA left wbj	DA7H 34 350 B	c:17.5
2	851810	stabiliser mounting	GMD9 34 156	di:19	10	51771	TCA right wbj	DA7H 34 300 B	c:17.5
3	51366	stabiliser link	DA6A 34 170	L:251	11	3787	ball joint	Part of	c:17.5 do:38.7
4	51938	tie rod end left	DA8A 32 290	c:12.7 th:FM14X1.5R	12	R10080	mounting tool ring ø48 ø40	SEE PAGE III	di:40 do:48
5	51939	tie rod end right	DA8A 32 280	c:12.7 th:FM14X1.5R	13	851641	silentblock for TCA	Part of	di:14.1 do:42.2
6	51040	tie rod end left	DA6T 32 290	c:12.6 th:FM14X1.5R	14	851642	silentblock for TCA	Part of	di:21 do:80
7	51041	tie rod end right	DA6T 32 280	c:12.6 th:FM14X1.5R	15	51772	TCA left wbj	D09H 34 350 C	c:17.5
8	51813	axial joint	D09H 32 240	th:MM16X1.5R L:226	16	51773	TCA right wbj	D09H 34 300 C	c:17.5