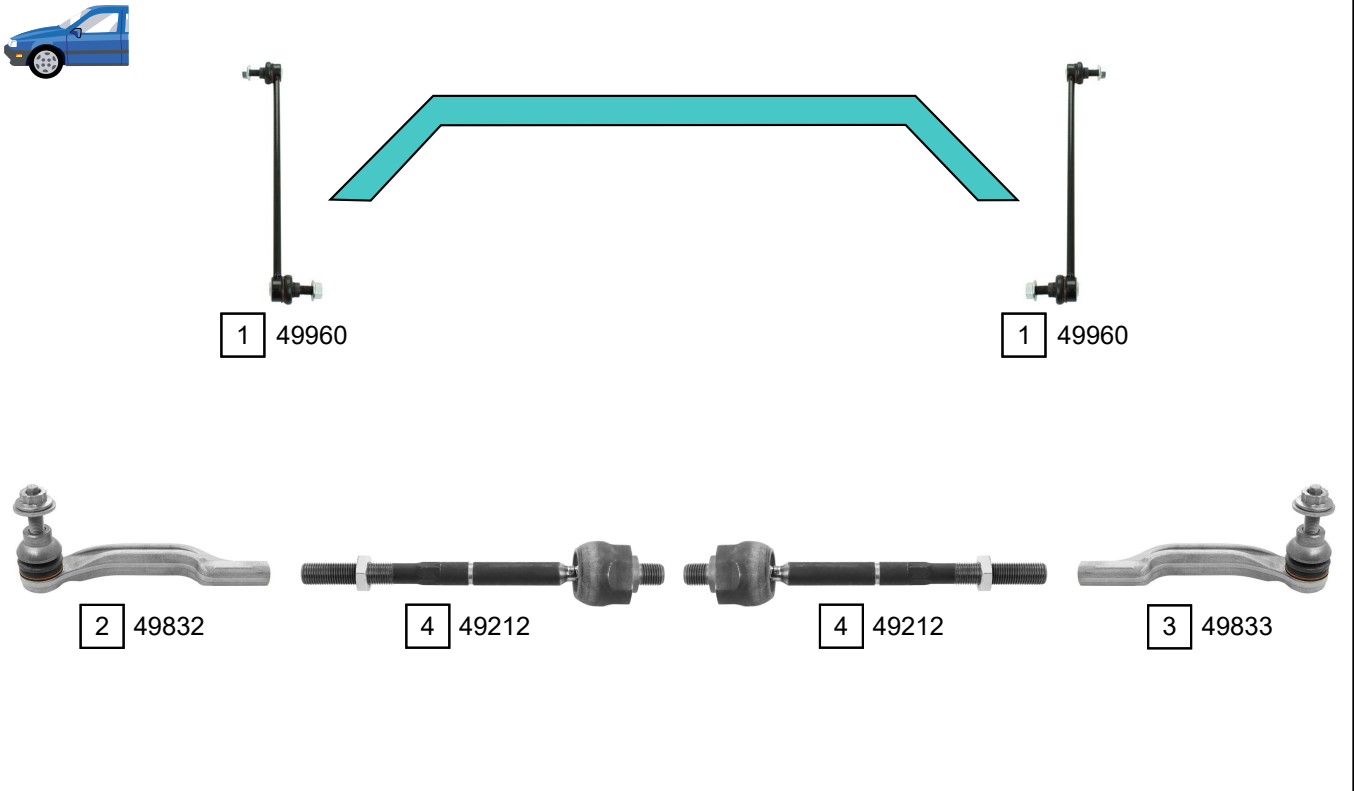
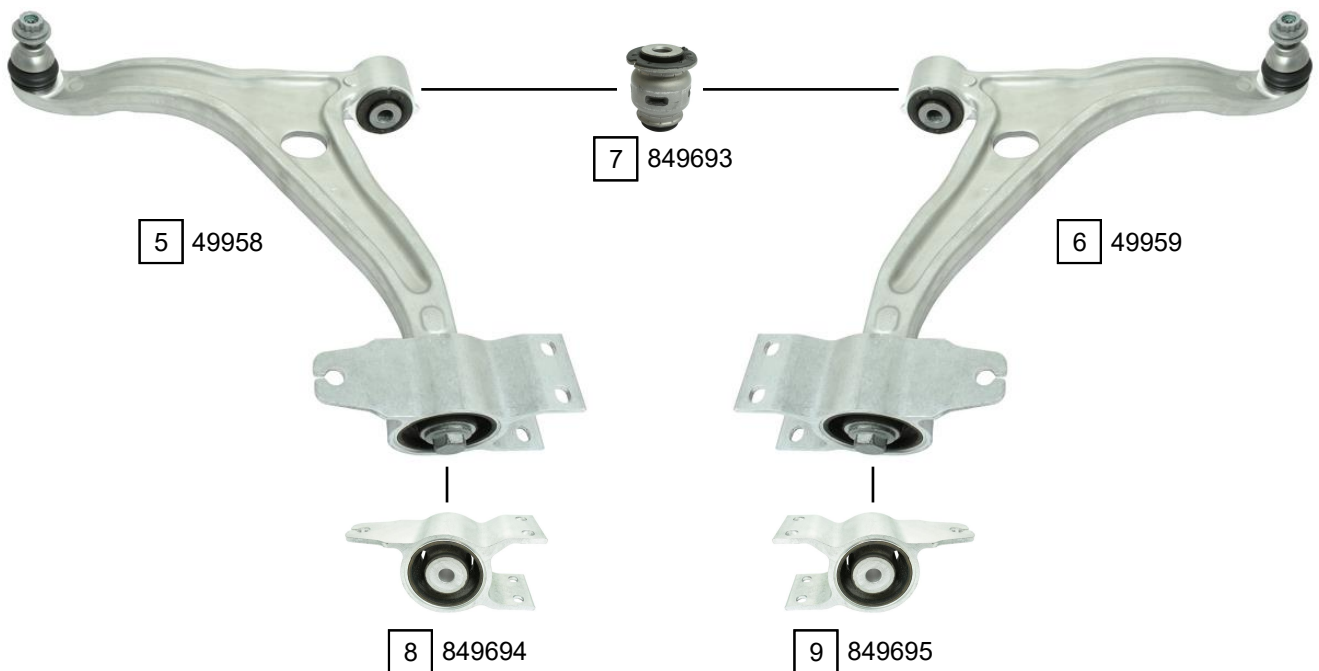


B-CLASS (W247)

12/2018 ->



STANDARD SUSPENSION



Ref.	Sidem Ref.	Description	OE-number	Measures	Ref.	Sidem Ref.	Description	OE-number	Measures
1	49960	stabiliser link	247 320 42 00	L:339	6	49959	TCA right wbj	247 330 06 00	c:26.4
2	49832	tie rod end left	247 330 85 01	c:26.3 th:FM14X1.5R	7	849693	silentblock for TCA	Part of	di:14.3 do:50.2
3	49833	tie rod end right	247 330 82 01	c:26.3 th:FM14X1.5R	8	849694	silentblock for TCA	247 333 05 00	di:14.3
4	49212	axial joint	177 338 00 00	th:MM14X1.5R L:208	9	849695	silentblock for TCA	247 333 06 00	di:14.3
5	49958	TCA left wbj	247 330 05 00	c:26.4					