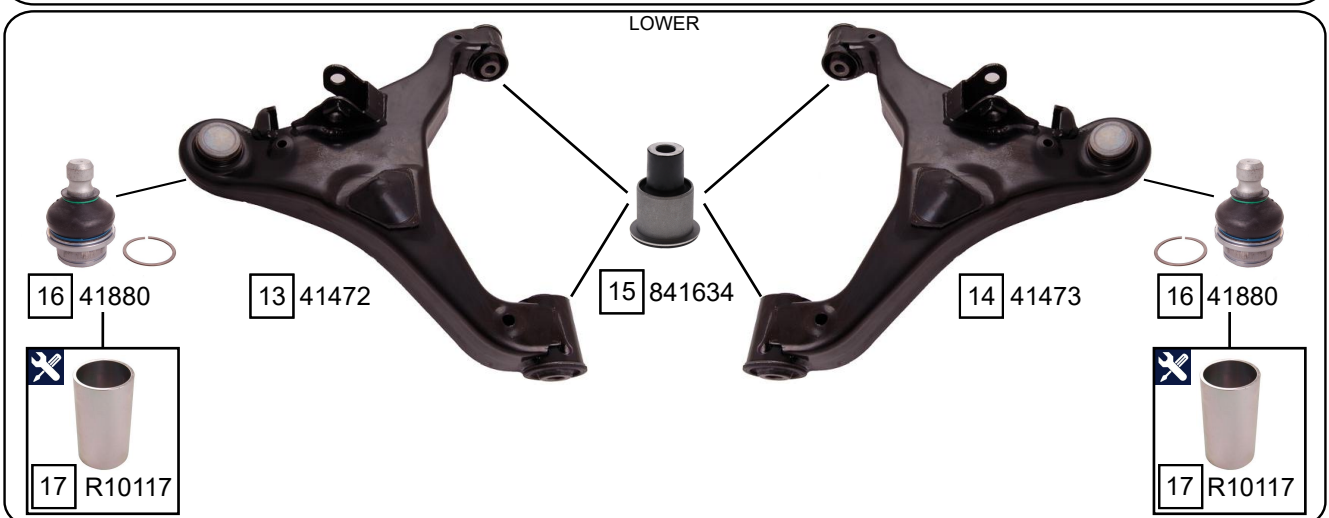
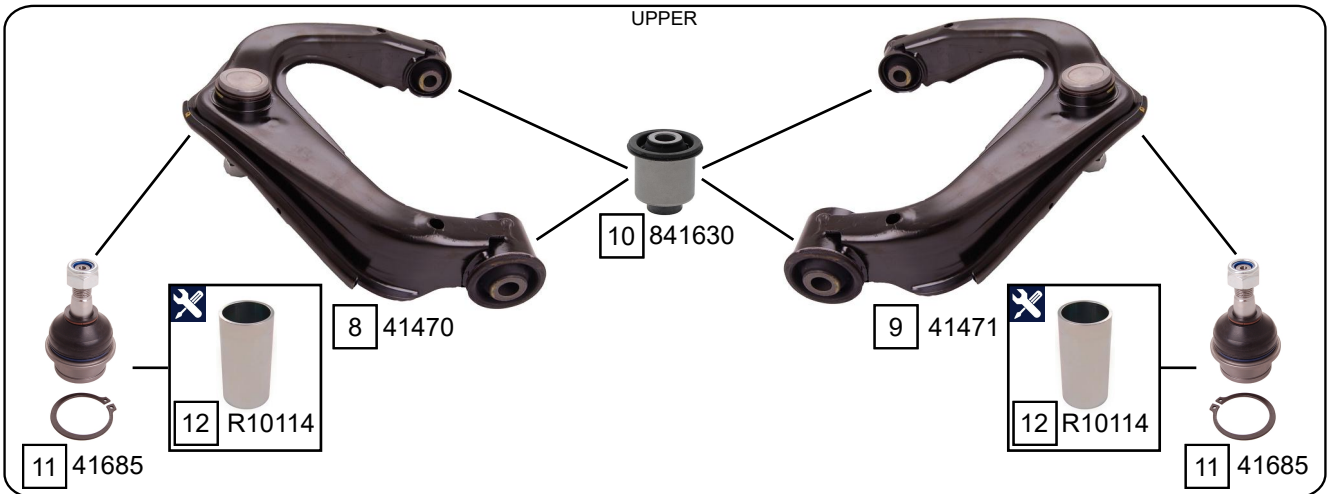
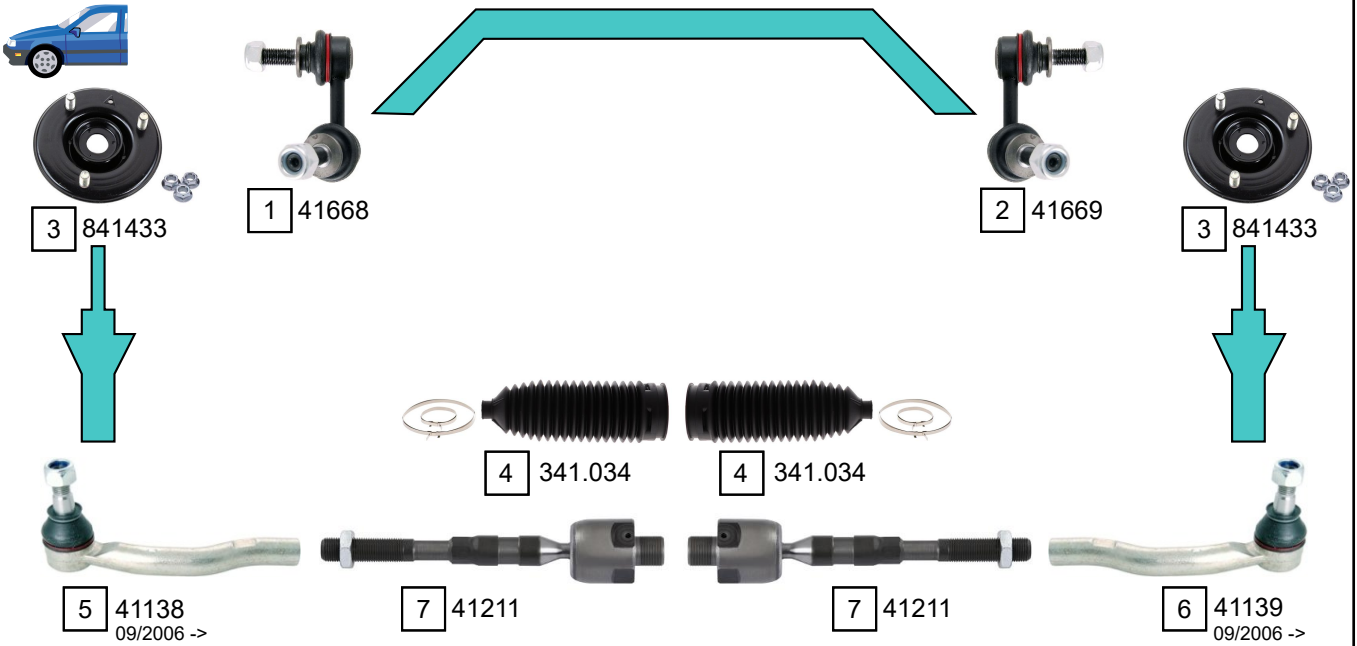


NAVARA (D40M)

07/2005 ->



Ref.	Sidem Ref.	Description	OE-number	Measures	Ref.	Sidem Ref.	Description	OE-number	Measures
1	41668	stabiliser link left	54668 EA010	L:64	10	841630	silentblock for TCA	Part of	di:14.1 do:43.3
2	41669	stabiliser link right	54618 EA010	L:64	11	41685	ball joint	Part of	c:14.7 do:42.1
3	841433	strut mount	56115 EA001	di:21.9 do:129 L:40	12	R10114	mounting tool ring long ø58	TOOL	di:50 do:58
4	341.034	steering rack gaiter	48203 EA025	D:53 d:16 L:188	13	41472	TCA left wbj	54501 EB31A	c:22
5	41138	tie rod end left	48520 EA01J	c:14.8 th:FM16x1.5R	14	41473	TCA right wbj	54500 EB31A	c:22
6	41139	tie rod end right	48640 EA01J	c:14.8 th:FM16x1.5R	15	841634	silentblock for TCA	Part of	di:14.1 do:43
7	41211	axial joint	48521 EA000	th:MM20x1R L:204	16	41880	ball joint	Part of	c:22 do:45.1
8	41470	TCA left wbj	54525 EB30A	c:14.7	17	R10117	mounting tool ring long ø64	TOOL	di:56 do:64
9	41471	TCA right wbj	54524 EB30A	c:14.7					