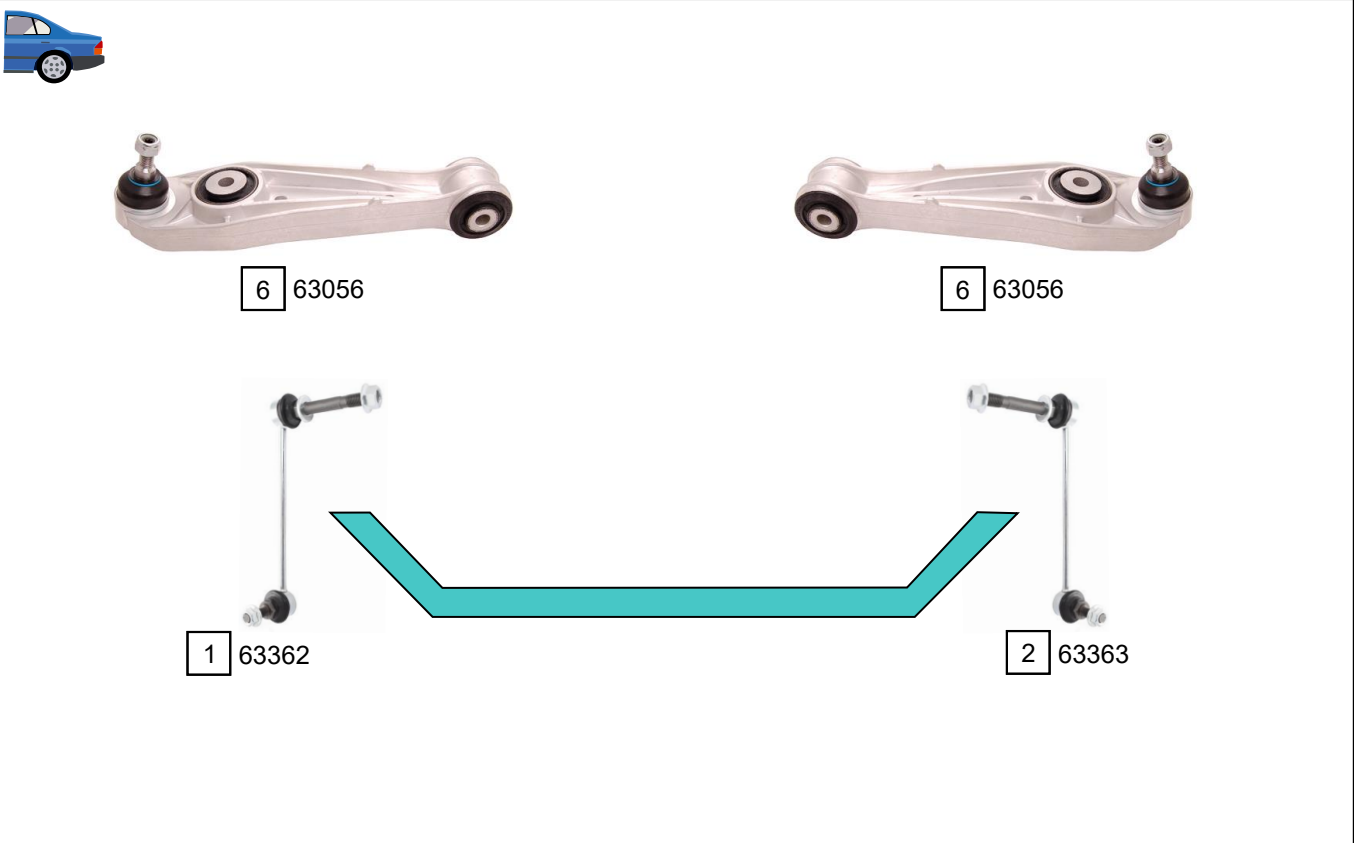
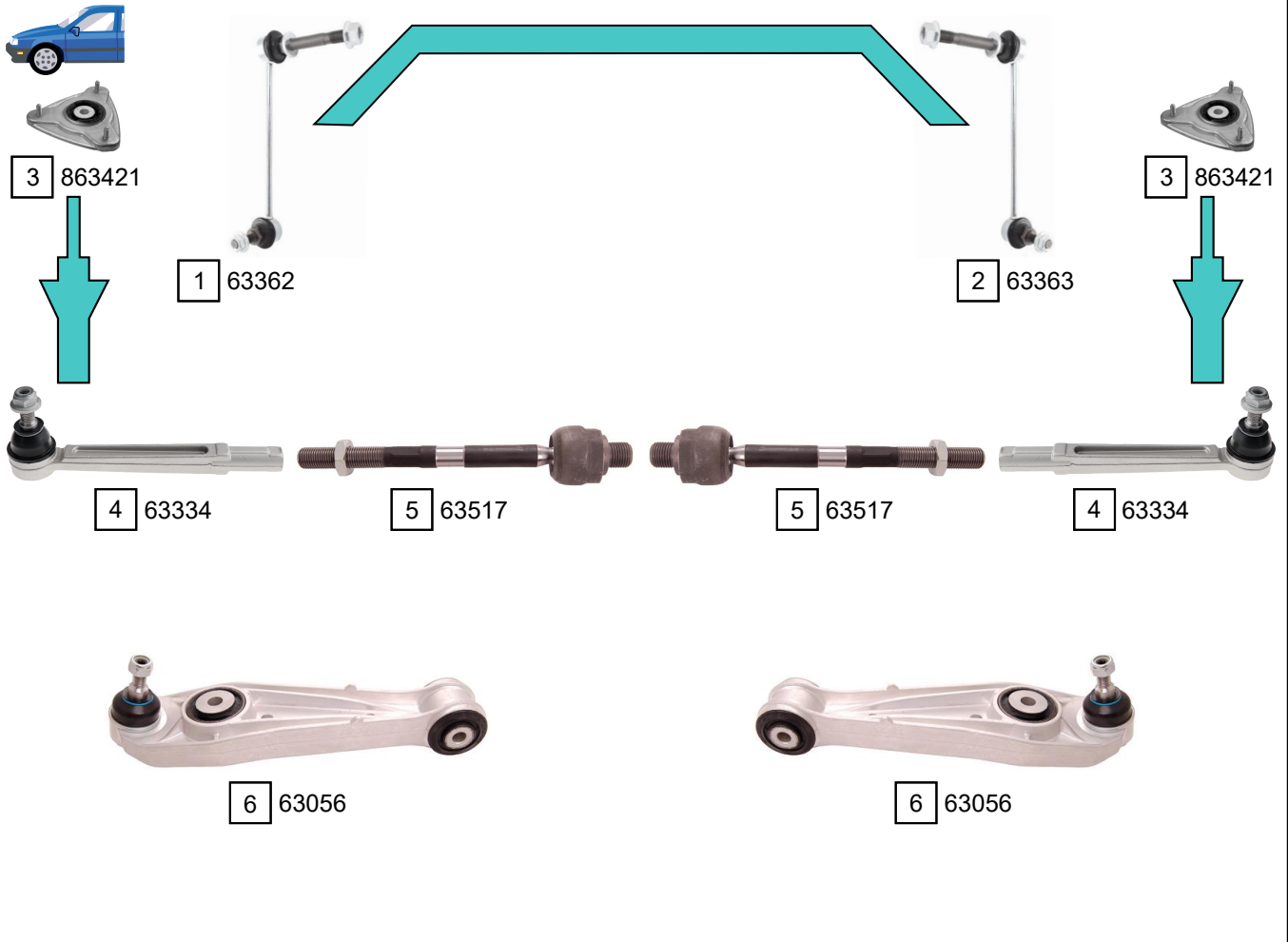


PORSCHE BOXSTER

BOXSTER (986)

09/1996 - 12/2004



| Ref. | Sidem Ref. | Description | OE-number | Measures | Ref. | Sidem Ref. | Description | OE-number | Measures |
|------|------------|-----------------------|----------------|----------------------|------|------------|-------------|----------------|--------------------|
| 1 | 63362 | stabiliser link left | 996 343 069 04 | L:200 | 4 | 63334 | tie rod end | 991 347 131 00 | c:15 th:FM14X1.5R |
| 2 | 63363 | stabiliser link right | 996 343 070 04 | L:200 | 5 | 63517 | axial joint | 996 347 322 03 | th:MM16X1.5R L:197 |
| 3 | 863421 | strut mount | 997 343 018 01 | di:14.2 do:59 L:43.2 | 6 | 63056 | TCA | 996 341 053 19 | c:16.9 |