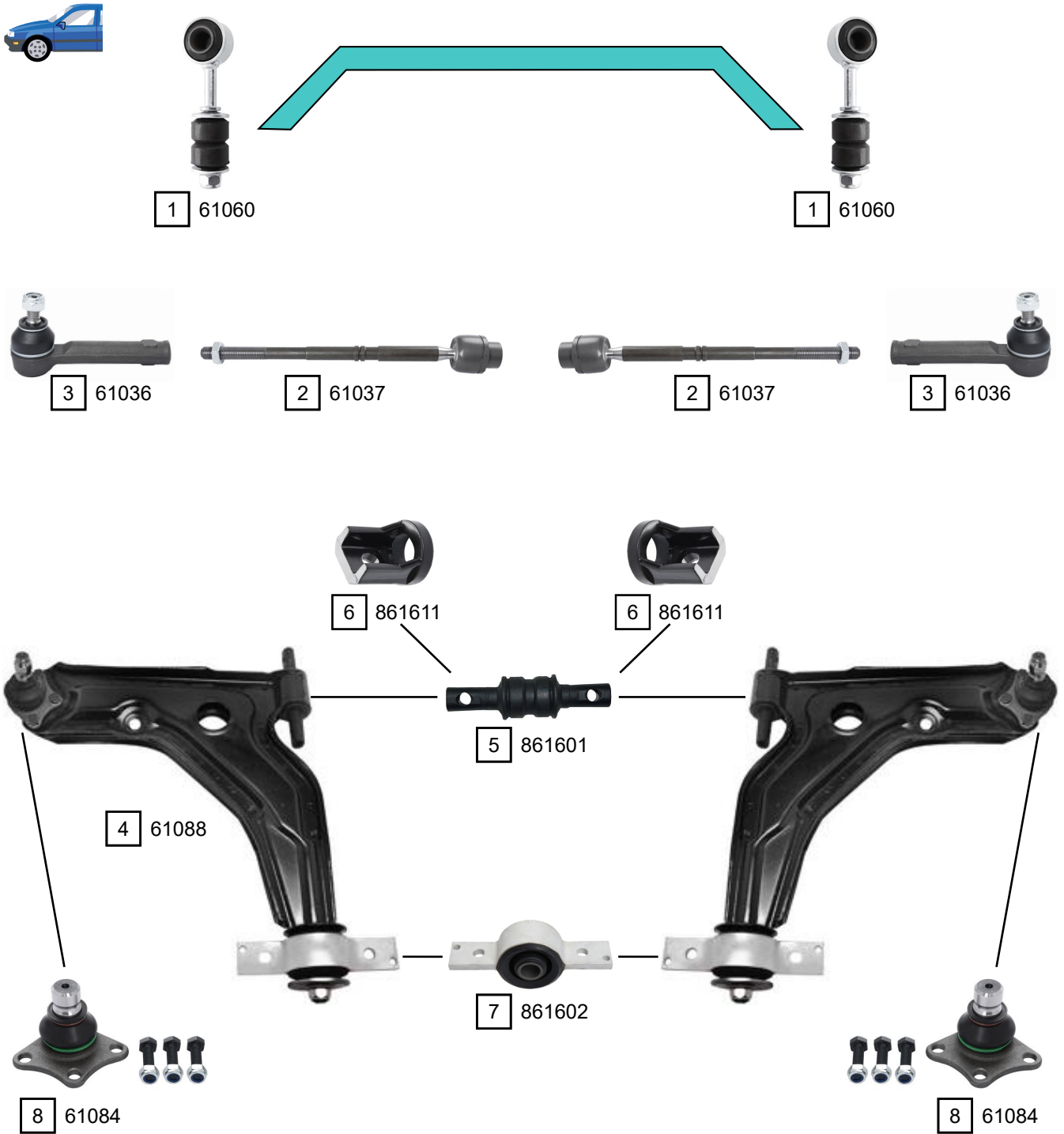


9000

04/1985 - 12/1998



Ref.	Sidem Ref.	Description	OE-number	Measures	Ref.	Sidem Ref.	Description	OE-number	Measures
1	61060	stabiliser link	89 58 944	L:56	5	861601	silentblock for TCA	89 61 476	di:10.2 do:34
2	61037	axial joint	89 62 250	th:FM14x1.5R L:305	6	861611	silentblock support	44 26 003	di:21 do:36
3	61036	tie rod end	89 93 453	c:13 th:FM14x1.5R	7	861602	silentblock for TCA	89 65 253	di:19.1
4	61088	TCA left wbj	89 58 365	c:16	8	61084	ball joint	89 94 212	c:20