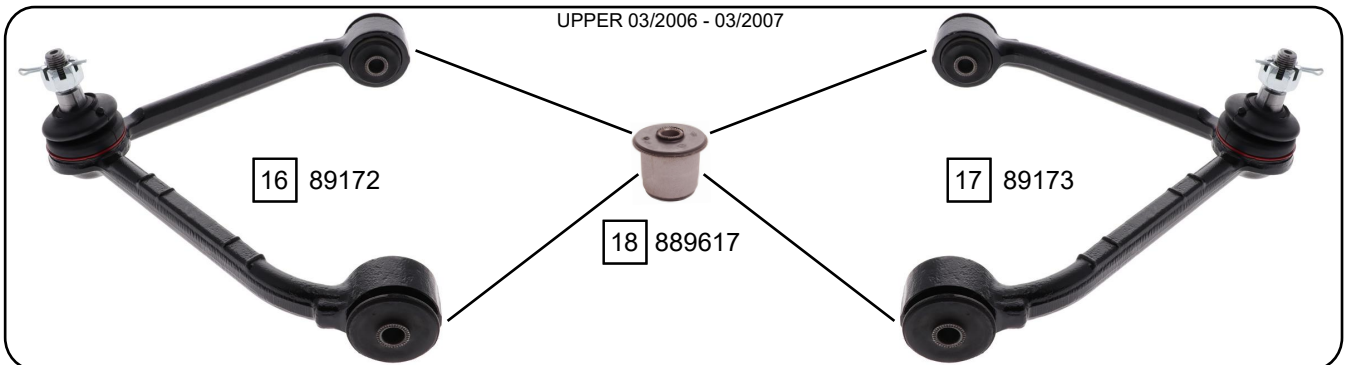
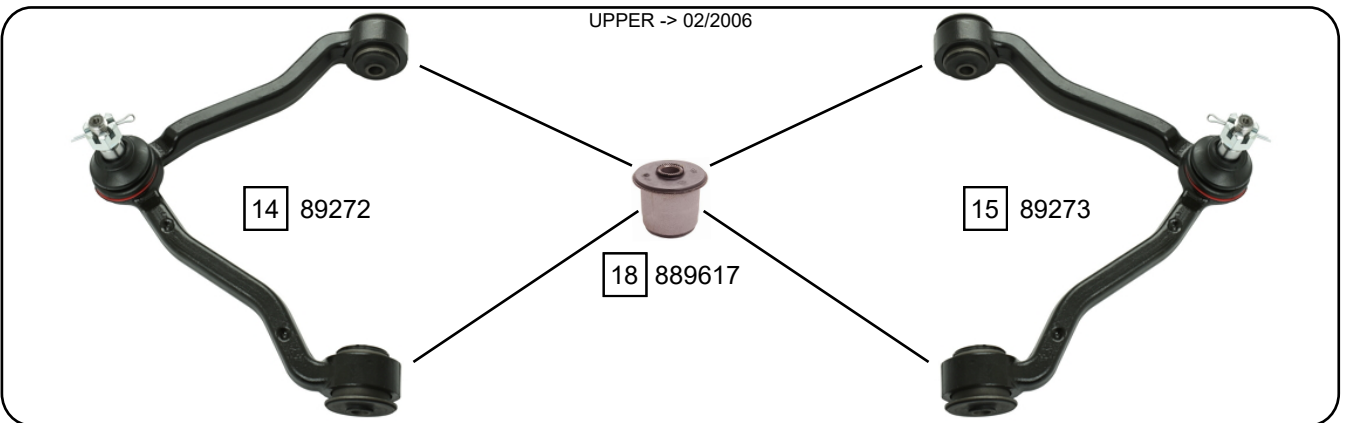
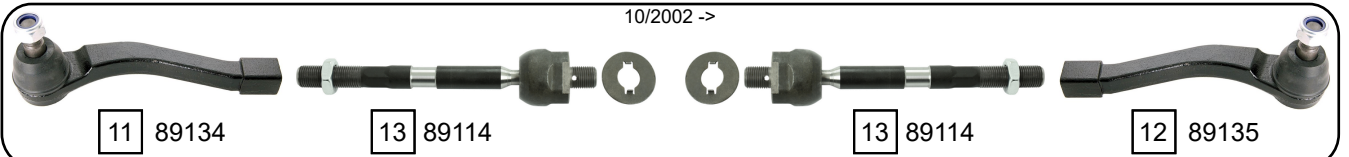
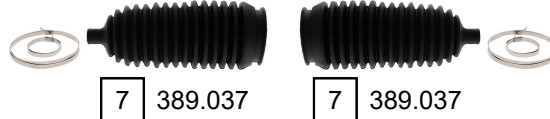
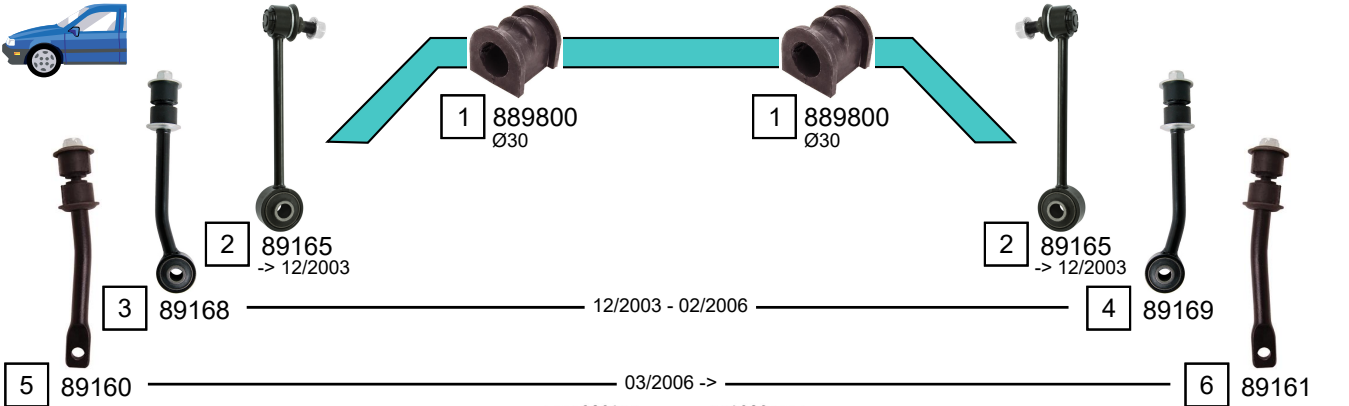


REXTON

04/2002 ->



Ref.	Sidem Ref.	Description	OE-number	Measures	Ref.	Sidem Ref.	Description	OE-number	Measures
1	889800	stabiliser mounting	4471231000	di:29.6	10	89113	axial joint	Part of	th:MM16x1.5R L:183
2	89165	stabiliser link	4475008000	L:185	11	89134	tie rod end left	4666009002	c:16 th:FM16X1.5R
3	89168	stabiliser link left	4475008001	L:222	12	89135	tie rod end right	4666009011	c:16 th:FM16X1.5R
4	89169	stabiliser link right	4475508000	L:222	13	89114	axial joint	Part of	th:MM16x1.5R L:192
5	89160	stabiliser link left	4475109000	L:205	14	89272	TCA left wbj	4440108000	c:17.6
6	89161	stabiliser link right	4475209000	L:205	15	89273	TCA right wbj	4440208000	c:17.6
7	389.037	steering rack gater	466KT08000	D:54 d:12.5 L:195	16	89172	TCA left wbj	4440109011	c:17.6
8	89136	tie rod end left	4666008000	c:16.1 th:FM14x1.5R	17	89173	TCA right wbj	4440209011	c:17.6
9	89137	tie rod end right	4666008010	c:16.1 th:FM14x1.5R	18	889617	silentblock for TCA	4441209000	di:12.3 do:40.4