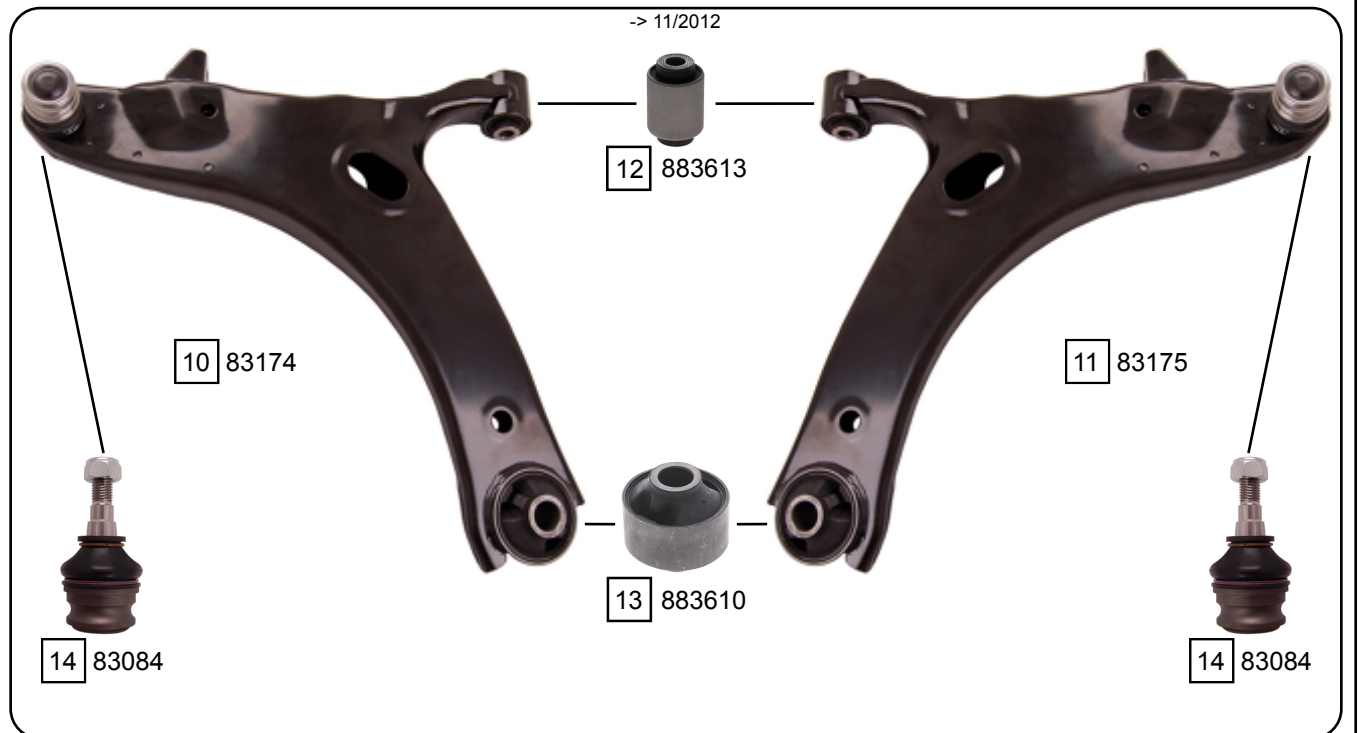
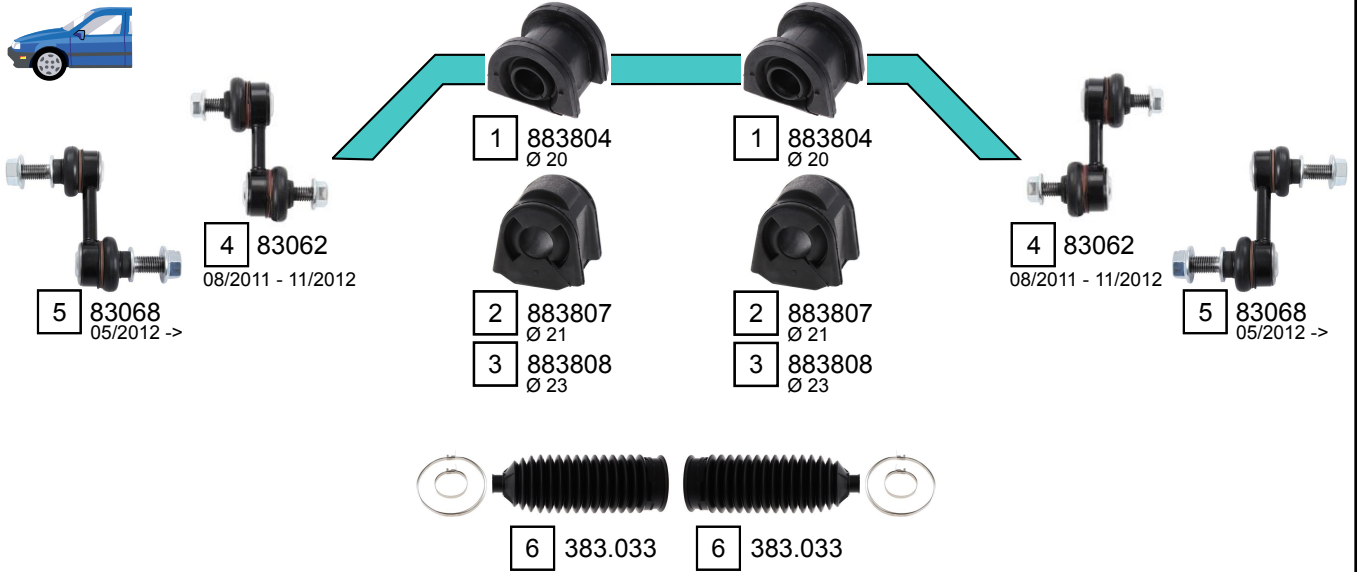


XV (GP)

12/2011 ->



| Ref. | Sidem Ref. | Description          | OE-number   | Measures            | Ref. | Sidem Ref. | Description         | OE-number   | Measures           |
|------|------------|----------------------|-------------|---------------------|------|------------|---------------------|-------------|--------------------|
| 1    | 883804     | stabiliser mounting  | 20414 AG070 | di:20               | 8    | 83017      | axial joint         | 34160 SC020 | th:MM16X1.5R L:325 |
| 2    | 883807     | stabiliser mounting  | 20414 FJ010 | di:20.5             | 9    | 83015      | axial joint         | 34160 XA010 | th:MM16x1.5R L:325 |
| 3    | 883808     | stabiliser mounting  | 20414 SG000 | di:22.5             | 10   | 83174      | TCA left wbj        | 20202 FJ030 | c:15.7             |
| 4    | 83062      | stabiliser link      | 20470 SA000 | L:60                | 11   | 83175      | TCA right wbj       | 20202 FJ020 | c:15.7             |
| 5    | 83068      | stabiliser link      | 20420 XA000 | L:71                | 12   | 883613     | silentblock for TCA | 20204 SG000 | di:12.3 do:37.1    |
| 6    | 383.033    | steering rack gaiter | 34137 FE020 | D:46.5 d:14.5 L:165 | 13   | 883610     | silentblock for TCA | 20204 CA010 | di:19.2 do:60      |
| 7    | 83136      | tie rod end          | 34161 SA000 | c:13.1 th:FM14X1.5R | 14   | 83084      | ball joint lower    | 21067 GA050 | c:15.7 do:38       |