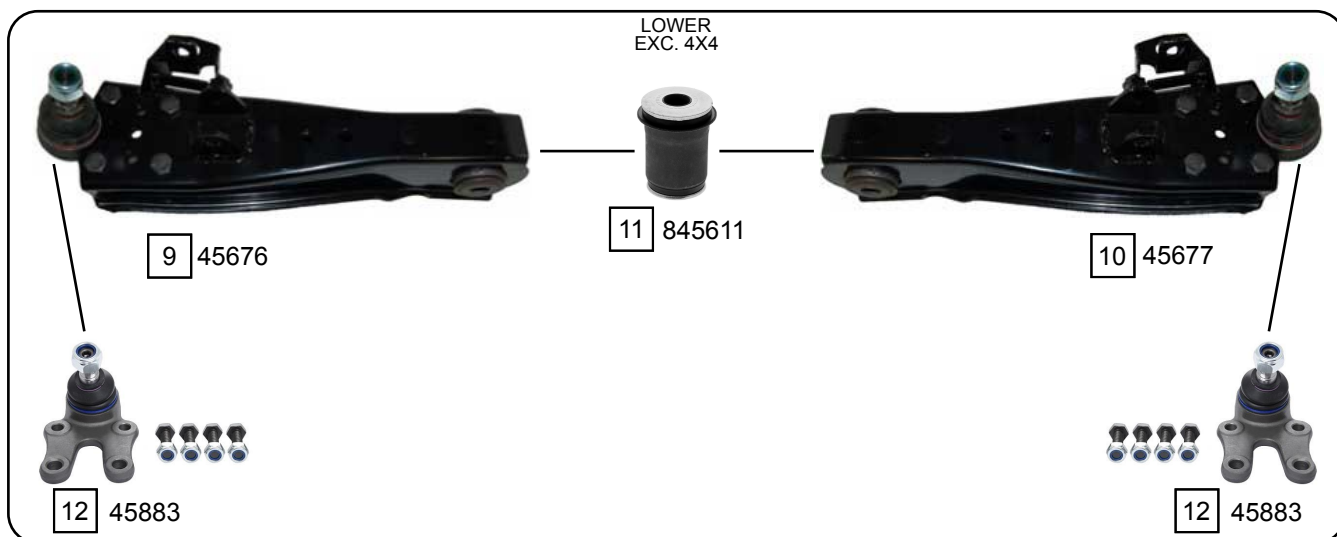
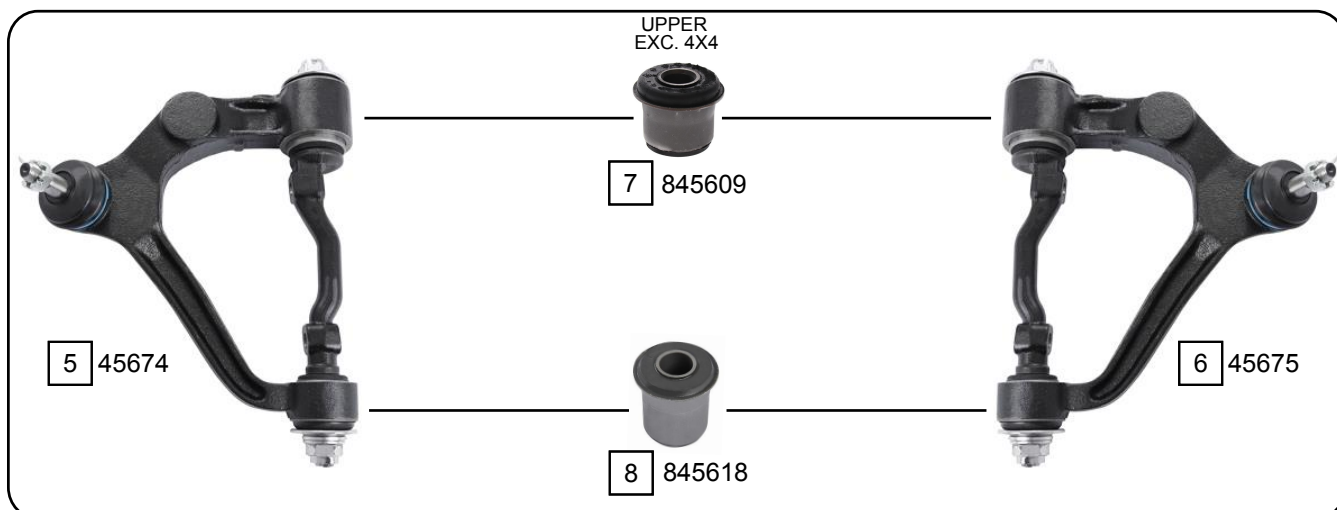
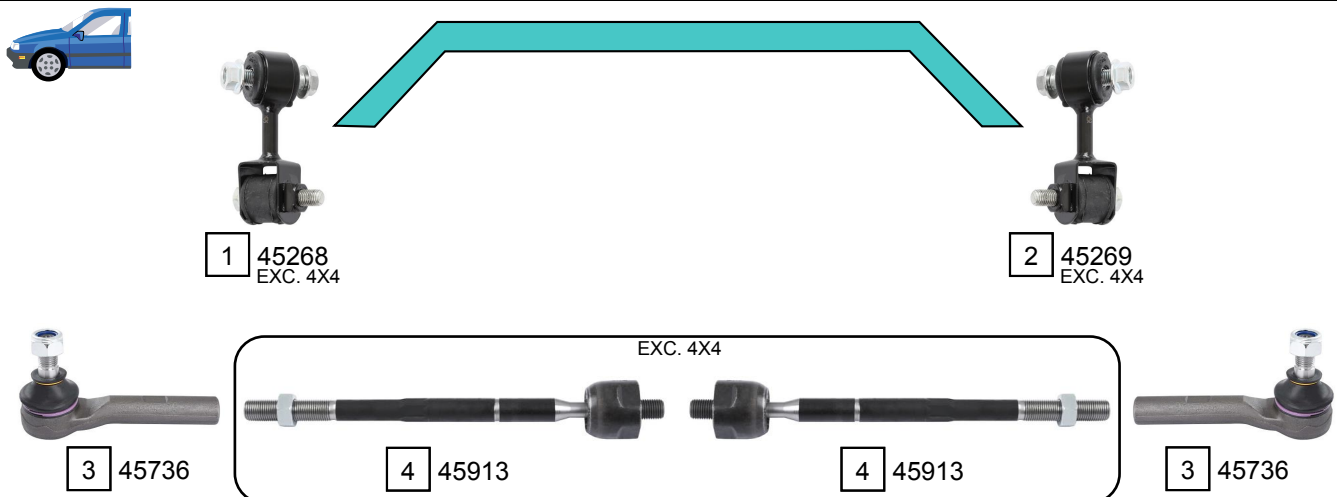


HIACE IV (_H1_, _H2_, _H5_, _H6_, _H7_)
HIACE V (_H2_)

08/1995 - 12/2012
06/2004 ->



Ref.	Sidem Ref.	Description	OE-number	Measures	Ref.	Sidem Ref.	Description	OE-number	Measures
1	45268	stabiliser link left	48810 26030	L:75	7	845609	silentblock for TCA	48632 26010	di:20 do:46.2
2	45269	stabiliser link right	48820 26030	L:75	8	845618	silentblock for TCA	48635 26010	di:26.3 do:55.5
3	45736	tie rod end	45046 29325	c:14.6 th:FM15X1.5R	9	45676	TCA left wbj	48069 26132	c:18
4	45913	axial joint	45503 29565	th:MM14X1.5R L:275	10	45677	TCA right wbj	48068 26132	c:18
5	45674	TCA left wbj	48067 29075	c:17	11	845611	silentblock for TCA	48061 26010	di:16.1 do:43.3
6	45675	TCA right wbj	48066 29075	c:17	12	45883	ball joint	43330 29155	c:18