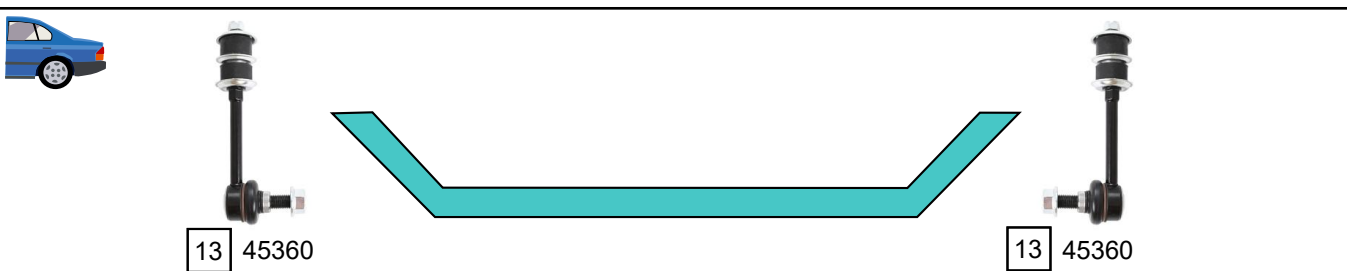
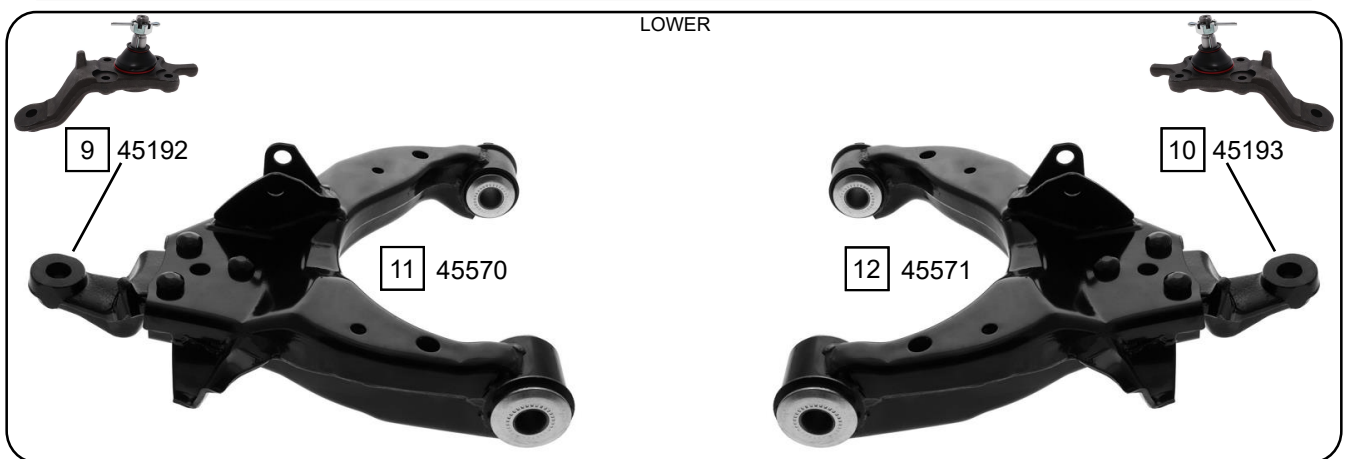
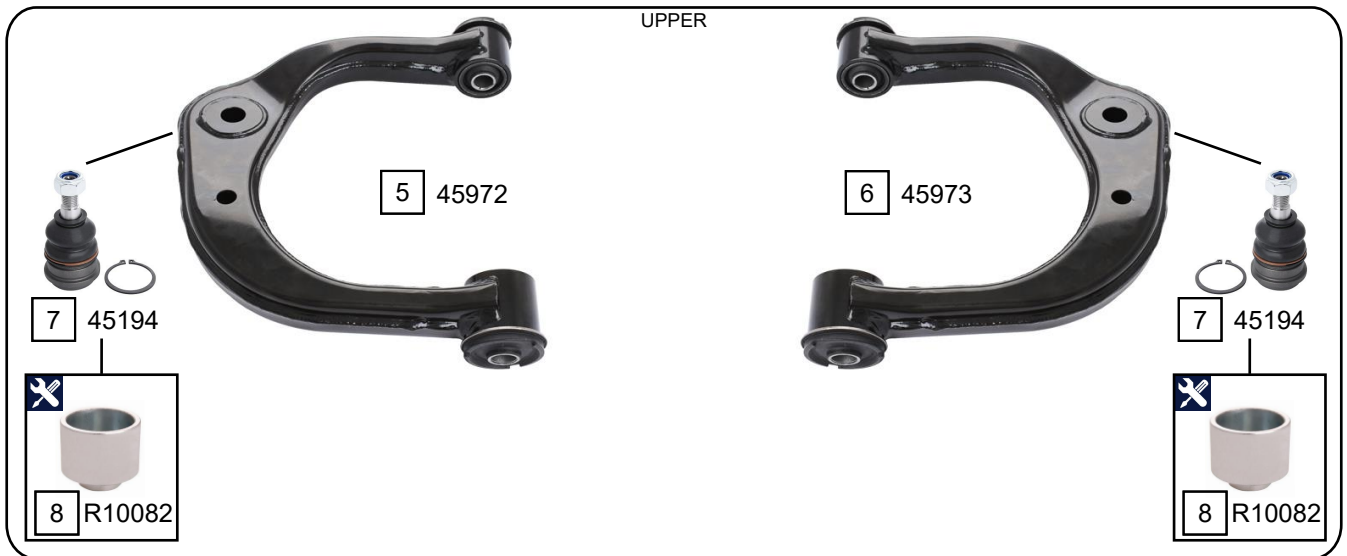
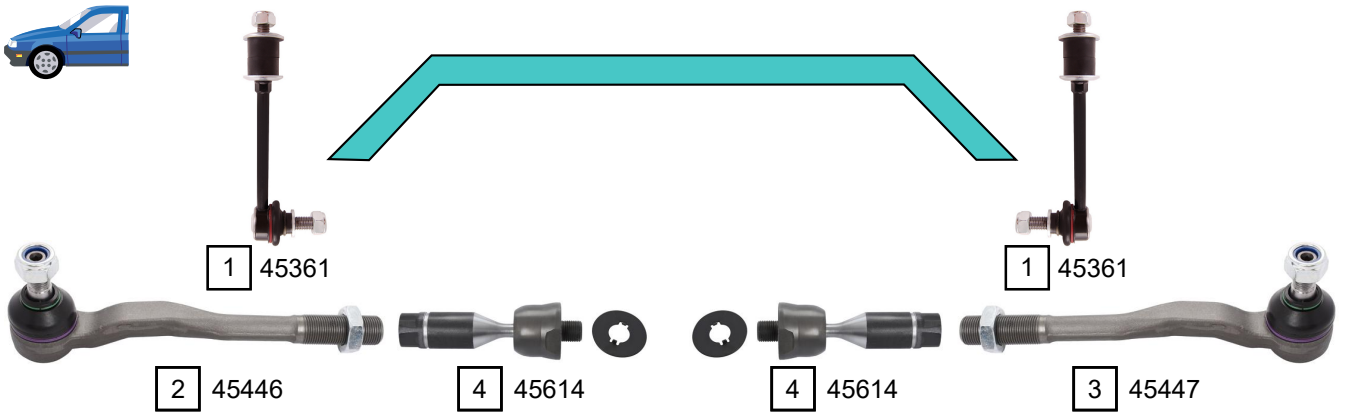


4 RUNNER (RZN18_,VZN18_)

11/1995 - 07/2003



Ref.	Sidem Ref.	Description	OE-number	Measures	Ref.	Sidem Ref.	Description	OE-number	Measures
1	45361	stabiliser link	48820 AD010	L:178	8	R10082	mounting tool ring ø52 ø44	SEE PAGE III	di:44 do:52
2	45446	tie rod end left	45047 39215	c:14.8 th:MM20x1.5R	9	45192	ball joint left	43340 39465	c:17.6
3	45447	tie rod end right	45046 39335	c:14.8 th:MM20x1.5R	10	45193	ball joint right	43330 39585	c:17.6
4	45614	axial joint	45503 39075	th:MM18X1.5R L:131	11	45570	TCA left wobj	48069 35081	c:17.2
5	45972	TCA left wobj	48630 35020	c:15.6	12	45571	TCA right wobj	48068 35081	c:17.2
6	45973	TCA right wobj	48610 35040	c:15.6	13	45360	stabiliser link rear axle	48830 35020	L:153
7	45194	ball joint	43310 39016	c:15.8 do:43.3					