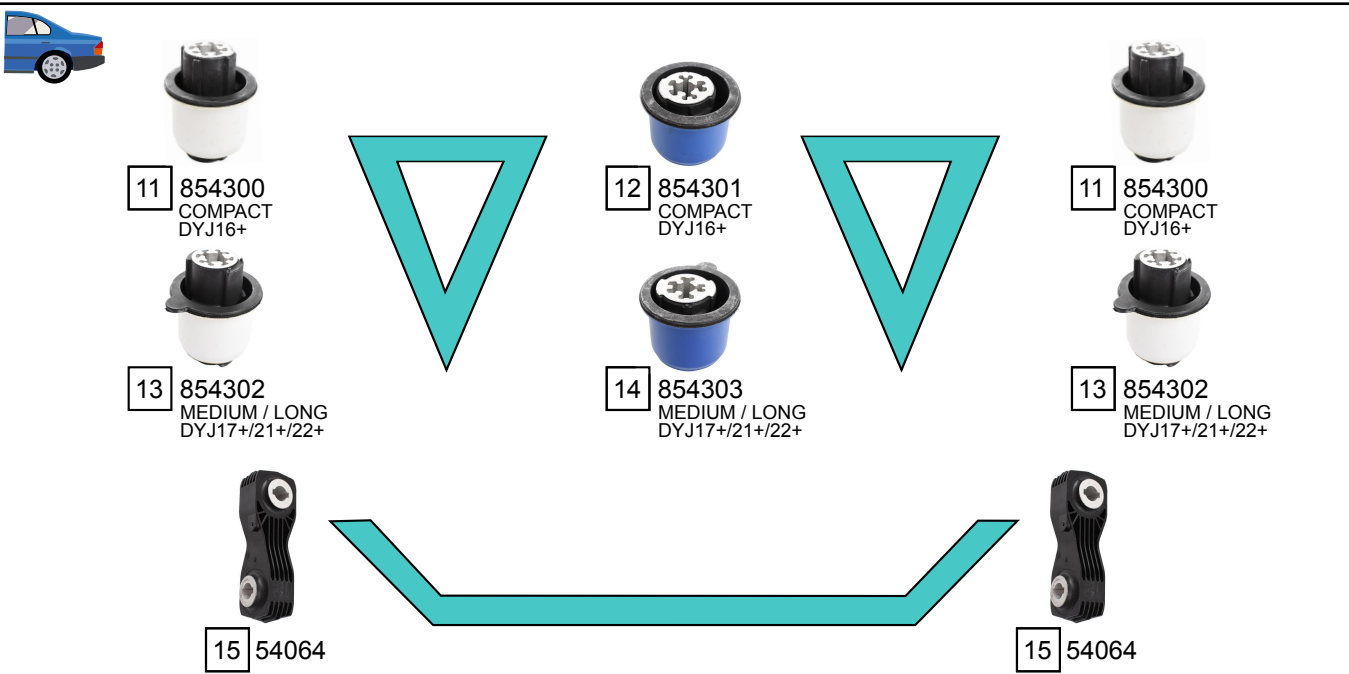
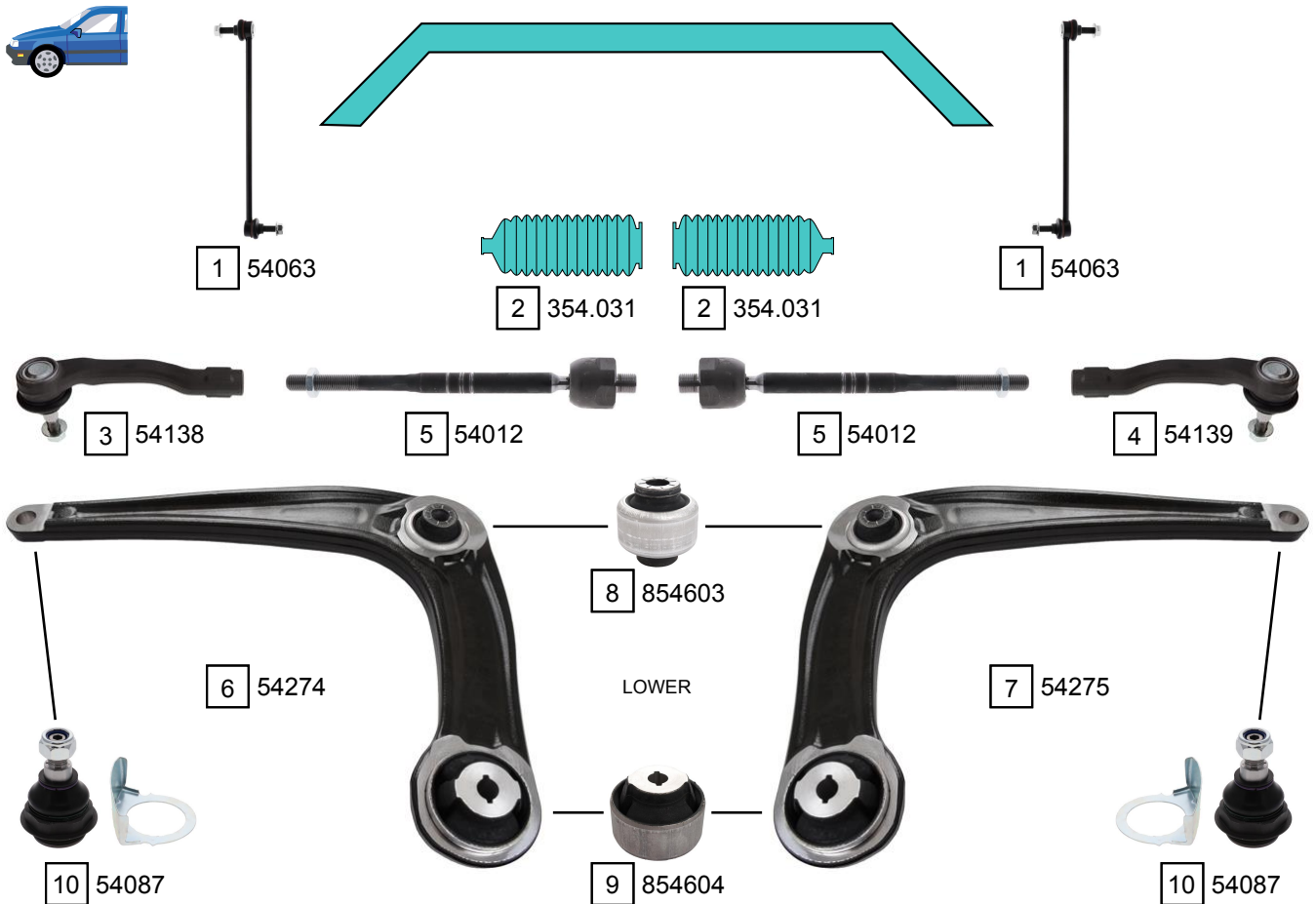


PROACE (MDZ_, MPY_)
PROACE VERSO (MPY_)

02/2016 ->
02/2016 ->



Ref.	Sidem Ref.	Description	OE-number	Measures	Ref.	Sidem Ref.	Description	OE-number	Measures
1	54063	stabiliser link	SU001 A6492	L:355	9	854604	silentblock for TCA	SU001 A6515	di:14.3 do:70.5
2	354.031	steering rack gaiter	Part of	D:61 d:16 L:201	10	54087	ball joint	SU001 A6525	c:18.6
3	54138	tie rod end left	SU001 A7207	c:14.2 th:FM14X1.5R	11	854300	mounting axle body	SU001 A6659	di:16.4 do:73
4	54139	tie rod end right	SU001 A7208	c:14.2 th:FM14X1.5R	12	854301	mounting axle body	SU001 A6660	di:14.4 do:73.5
5	54012	axial joint	Part of	th:MM16X1.5R L:265	13	854302	mounting axle body	SU001 A6661	di:16.4 do:73
6	54274	TCA left wobj	SU001 A6517	c:18.2	14	854303	mounting axle body	SU001 A6662	di:14.4 do:73.5
7	54275	TCA right wobj	SU001 A6516	c:18.2	15	54064	stabiliser link	SU001 A6621	L:80
8	854603	silentblock for TCA	SU001 A6491	di:16.1 do:58					