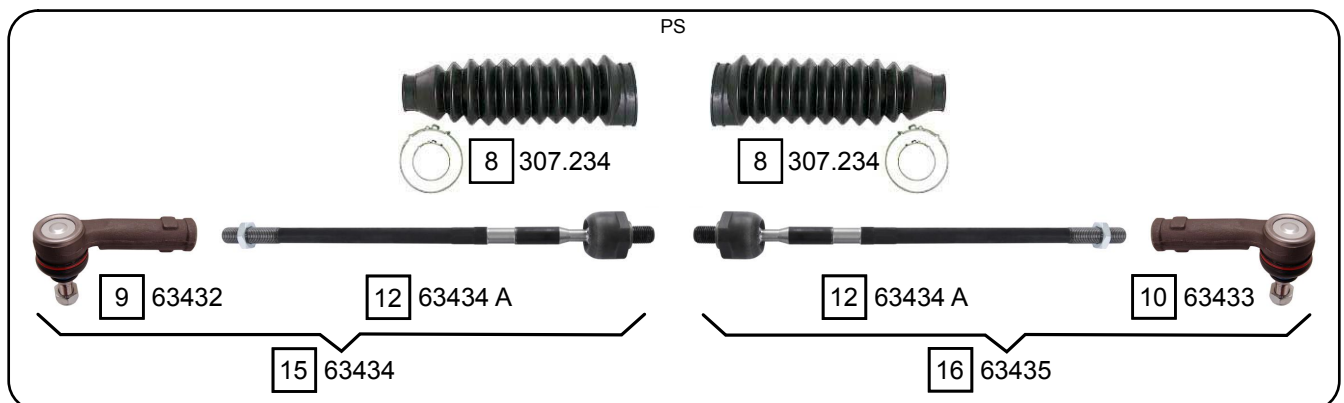
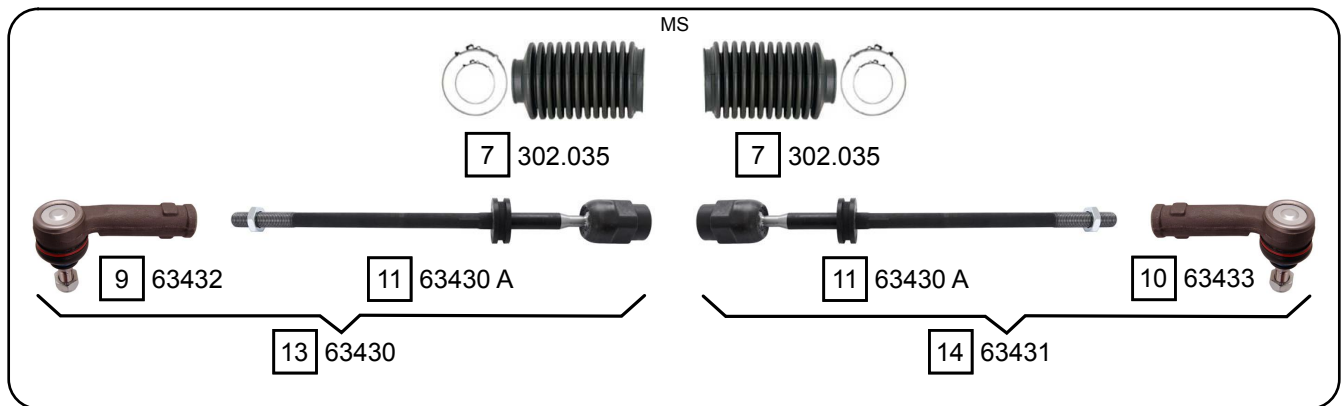
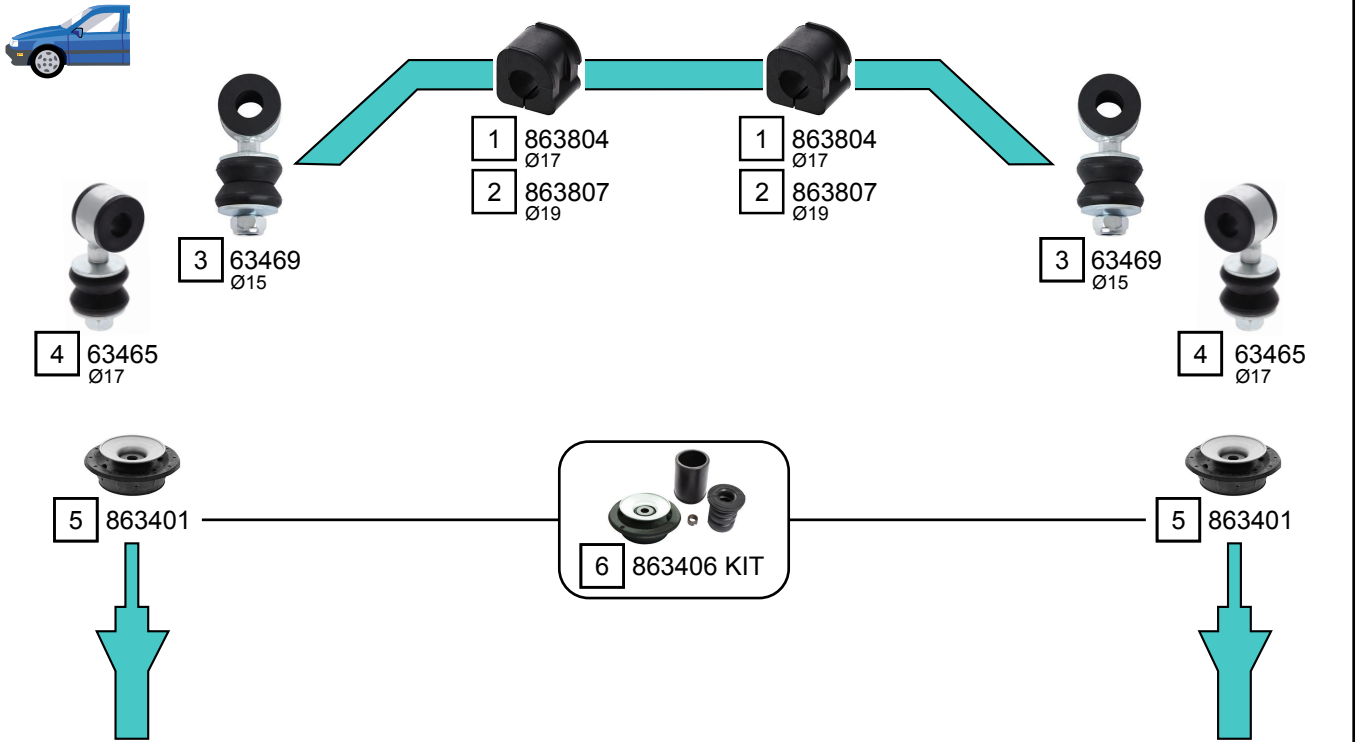


JETTA II (19E, 1G2)

01/1984 - 02/1992



Ref.	Sidem Ref.	Description	OE-number	Measures	Ref.	Sidem Ref.	Description	OE-number	Measures
1	863804	stabiliser mounting	191 411 314	di:17	9	63432	tie rod end left	6N0 419 811	c:12.6 th:FM14x1.5R
2	863807	stabiliser mounting	1H0 411 314	di:19	10	63433	tie rod end right	6N0 422 812	c:12.6 th:FM14x1.5R
3	63469	stabiliser link	191 411 315 B	L:76	11	63430 A	axial joint	Part of	th:FM22X1.5R L:365
4	63465	stabiliser link	6K0 411 315	L:78	12	63434 A	axial joint	Part of	th:MM14X1.5R L:341
5	863401	strut mount	191 412 329	di:14.5 do:89.3 L:52	13	63430	tie rod left	191 419 803	c:12.6
6	863406 KIT	strut mount kit	191 412 329 S1	di:14.5 do:127 L:53	14	63431	tie rod right	191 419 804	c:12.6
7	302.035	steering rack gaiter	191 419 831	D:41 d:25 L:120	15	63434	tie rod left	191 422 803 A	c:12.6
8	307.234	steering rack gaiter	1H0 422 831 B	D:41 d:10 L:210	16	63435	tie rod right	191 422 804 A	c:12.6