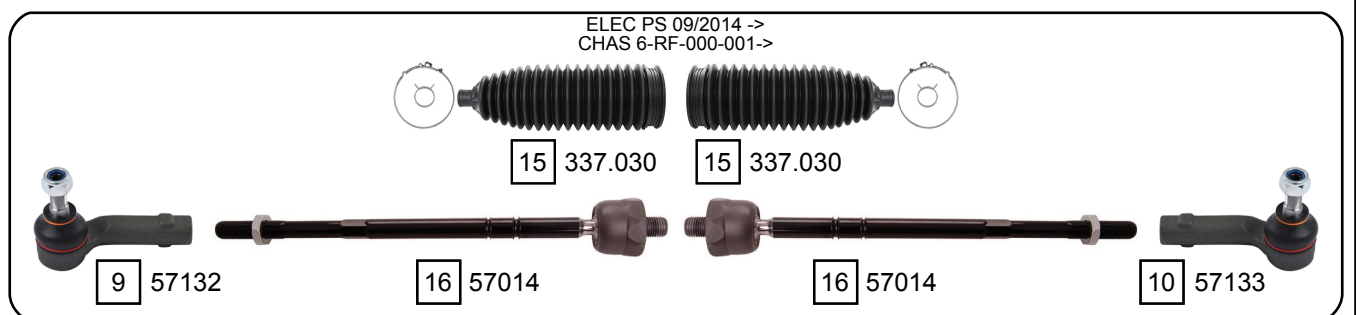
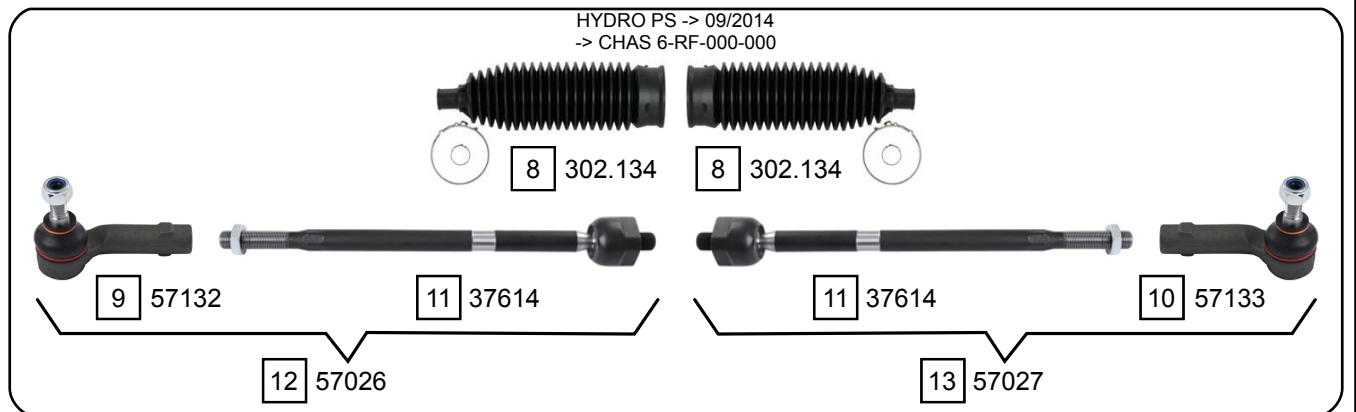
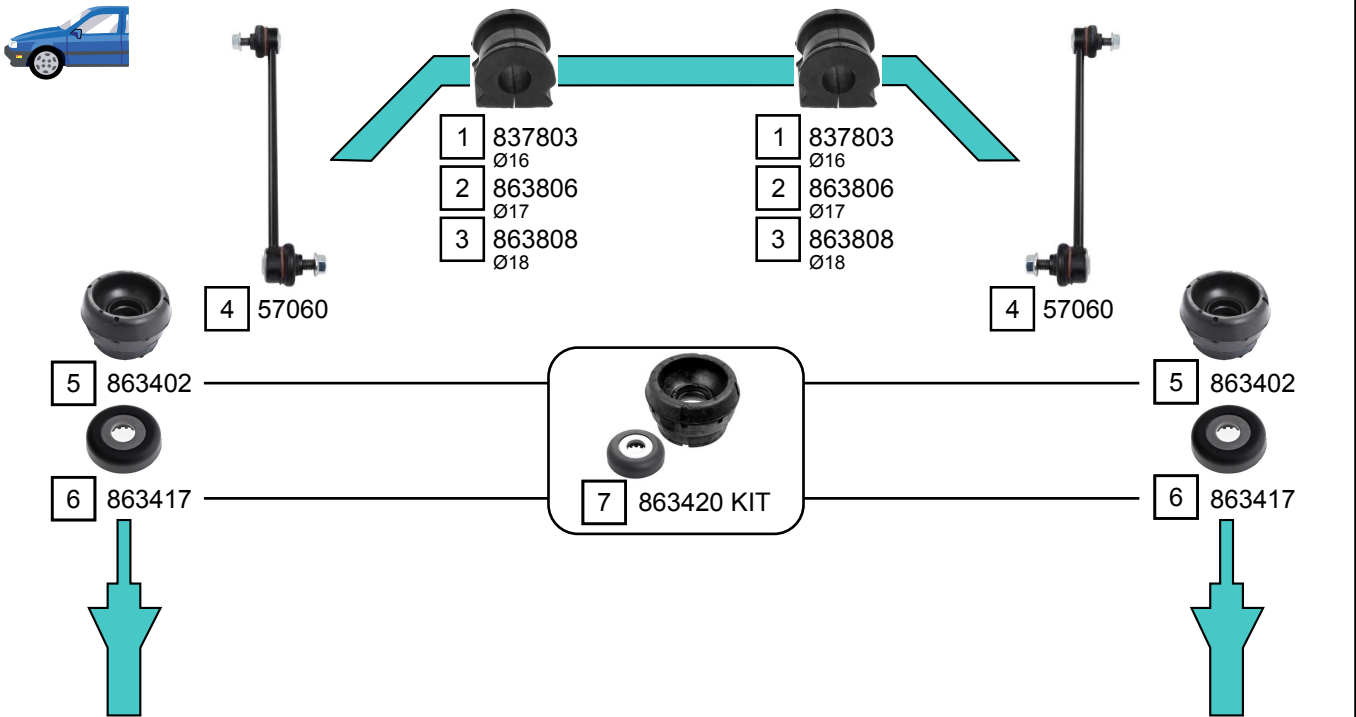


POLO (6R_, 6C_)

06/2009 ->



Ref.	Sidem Ref.	Description	OE-number	Measures	Ref.	Sidem Ref.	Description	OE-number	Measures
1	837803	stabiliser mounting	6Q0 411 314 P	di:16	9	57132	tie rod end left	6R0 423 811	c:13.4 th:FM14x1.5R
2	863806	stabiliser mounting	6Q0 411 314 Q	di:17	10	57133	tie rod end right	6R0 423 812	c:13.4 th:FM14x1.5R
3	863808	stabiliser mounting	6Q0 411 314 R	di:18	11	37614	axial joint	Part of	th:MM14x1.5R L:313
4	57060	stabiliser link	6R0 411 315	L:270	12	57026	tie rod left	6R0 423 803 A	c:13.4
5	863402	strut mount	1J0 412 331 C	di:26 do:82 L:53	13	57027	tie rod right	6R0 423 804 A	c:13.4
6	863417	bearing	1J0 412 249	di:14.3 do:45.3 L:13.4	14	63516	axial joint	6RU 423 810	th:MM16x1.5R L:312
7	863420 KIT	strut mount kit	1J0 412 331 C S1	di:26 do:82 L:53	15	337.030	steering rack gaiter	6C0 423 831 B	D:51 d:13.5 L:191
8	302.134	steering rack gaiter	6Q0 423 831 D	D:48 d:14 L:205	16	57014	axial joint	6C0 423 810 C	th:MM14x1.5R L:312